

- [54] RECONFIGURABLE TOY TANK
- [75] Inventor: Takashi Kunihiro, Abiko, Japan
- [73] Assignee: Takara Co., Ltd., Tokyo, Japan
- [**] Term: 14 Years
- [21] Appl. No.: 165,563
- [22] Filed: Mar. 8, 1988
- [30] Foreign Application Priority Data
Nov. 6, 1987 [JP] Japan 62-45315
- [52] U.S. Cl. D21/150; D21/131;
D21/166
- [58] Field of Search D21/128-140,
D21/150, 166; 446/71-78, 88, 95, 487

[56] References Cited

U.S. PATENT DOCUMENTS

D. 287,378	12/1986	Ohno	D21/150
D. 288,341	2/1987	Ohno	D21/150
D. 290,630	6/1987	Kitamura	D21/150
D. 296,913	7/1988	Shibukawa	D21/166
D. 301,357	5/1989	Kunihiro	D21/150
D. 303,410	9/1989	Shinohara	D21/166

Primary Examiner—Charles A. Rademaker
Attorney, Agent, or Firm—Price, Gess & Ubell

[57] CLAIM

The ornamental design for a reconfigurable toy tank, as shown and described.

DESCRIPTION

FIG. 1 is a front perspective view of a reconfigurable toy tank, showing my new design;
 FIG. 2 is a front elevational view thereof;
 FIG. 3 is a right side elevational view thereof;
 FIG. 4 is a left side elevational view thereof;
 FIG. 5 is a rear elevational view thereof;
 FIG. 6 is a top plan view thereof;
 FIG. 7 is a bottom plan view thereof;
 FIG. 8 is a front perspective view of the design shown in FIGS. 1 through 7 reconfigured in a toy robotic humanoid configuration;
 FIG. 9 is a front elevational view thereof;
 FIG. 10 is a right side elevational view thereof;
 FIG. 11 is a left side elevational view thereof;
 FIG. 12 is a rear elevational view thereof;
 FIG. 13 is a top plan view thereof; and
 FIG. 14 is a bottom plan view thereof.

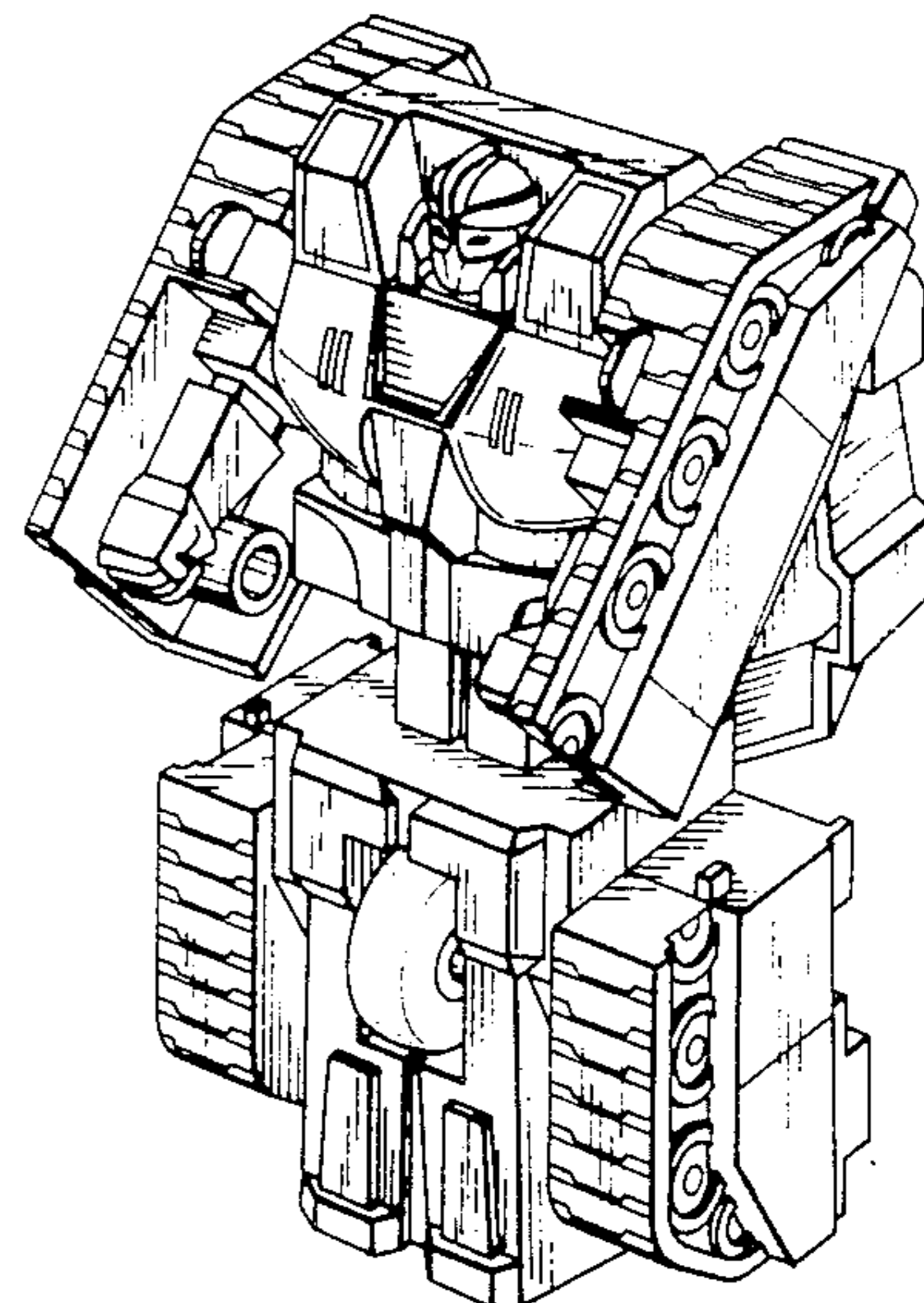
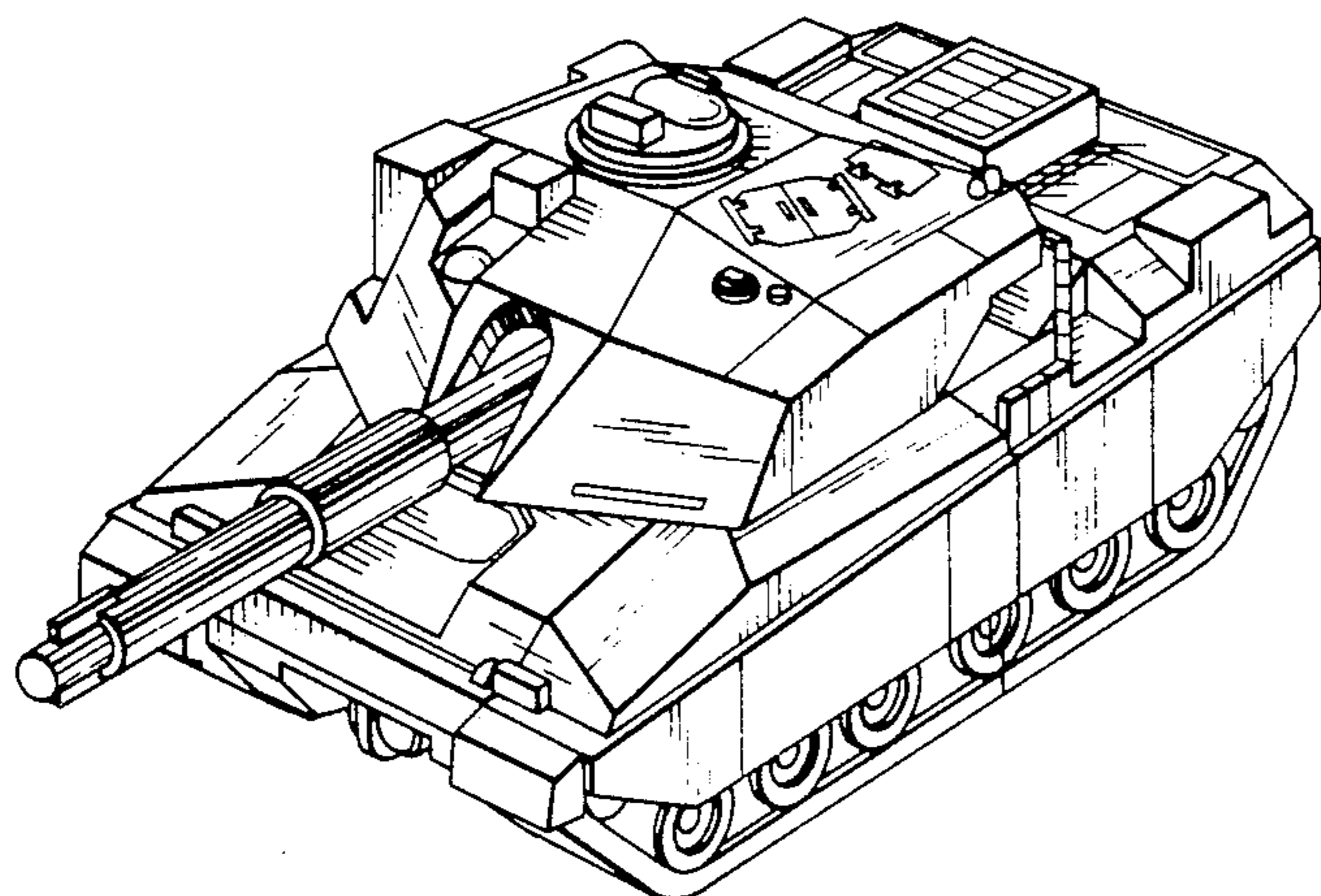


FIG. 1

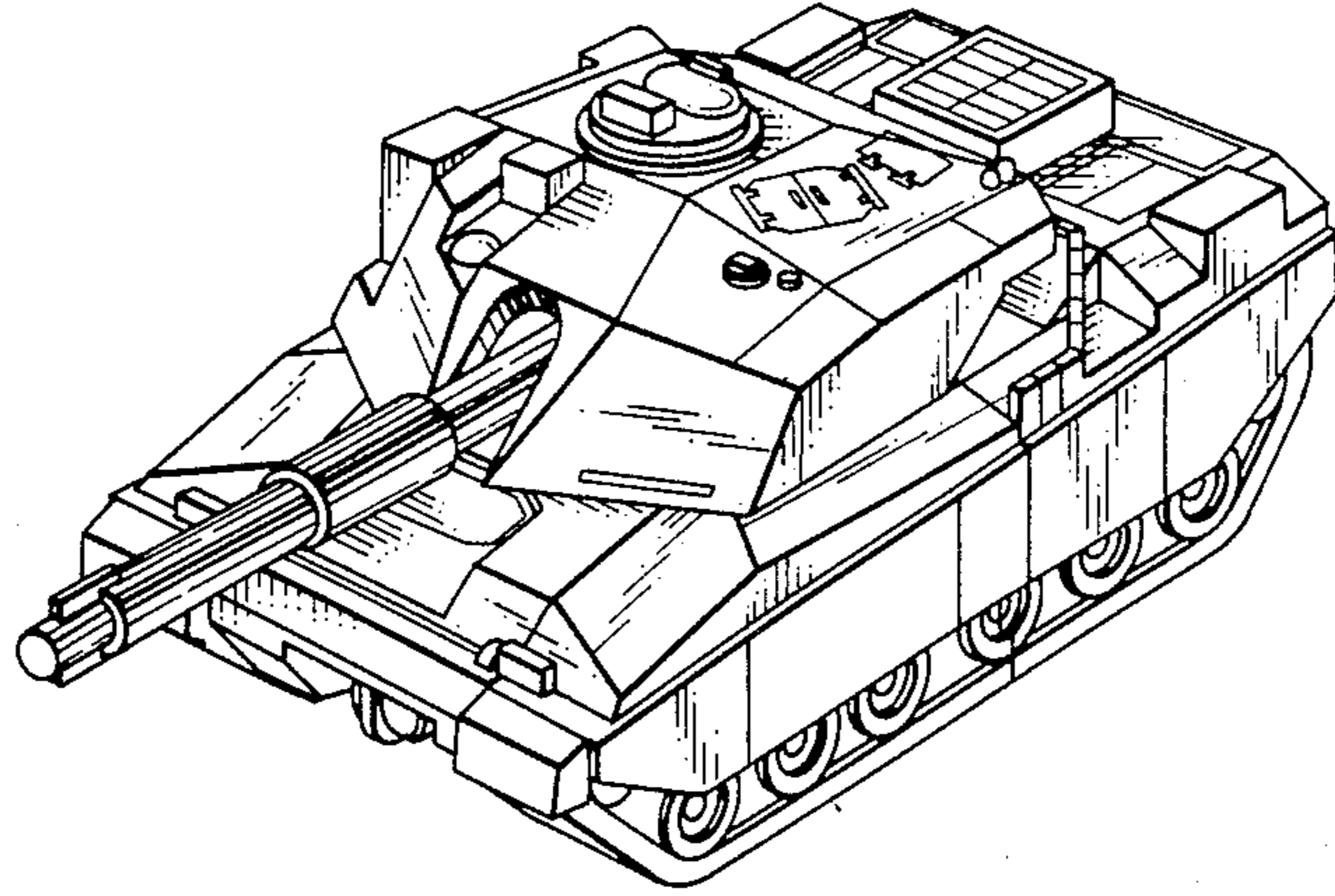


FIG. 2

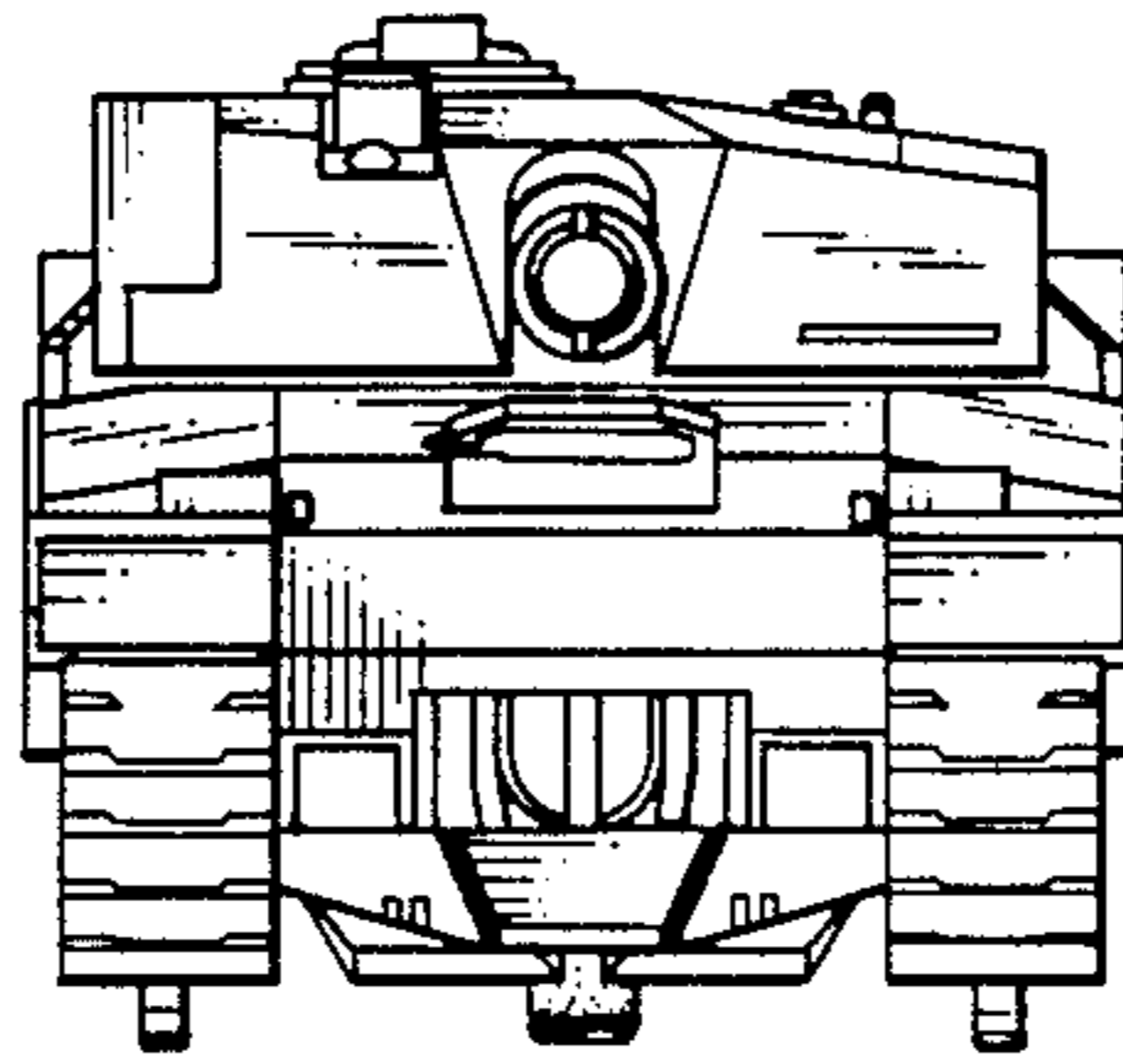


FIG. 3

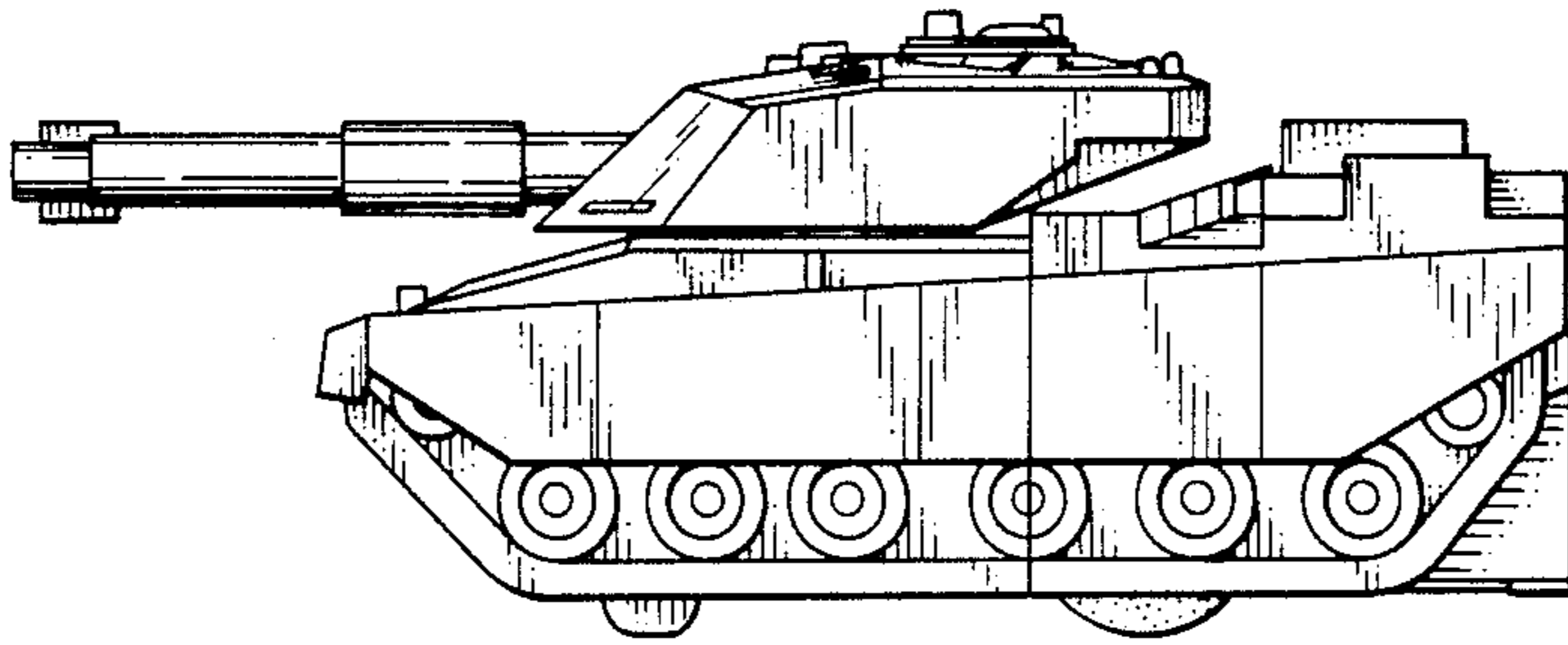


FIG. 4

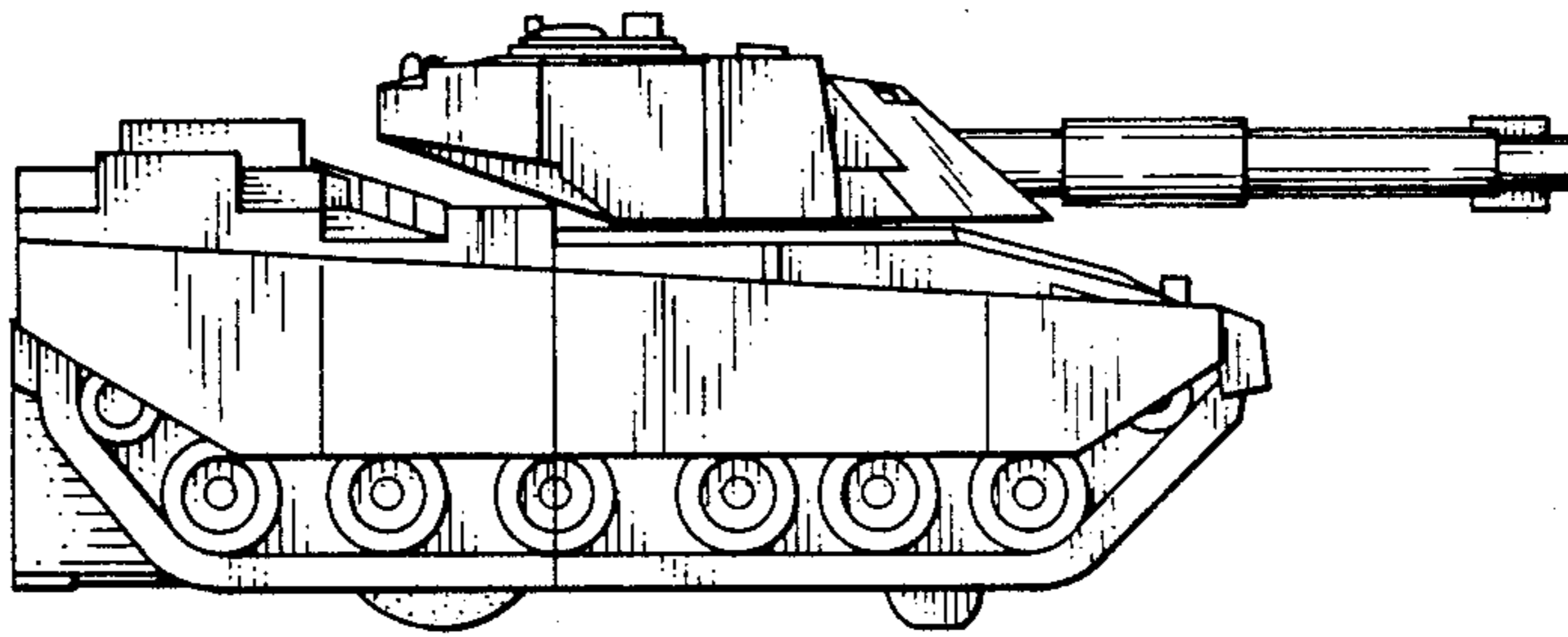


FIG. 5

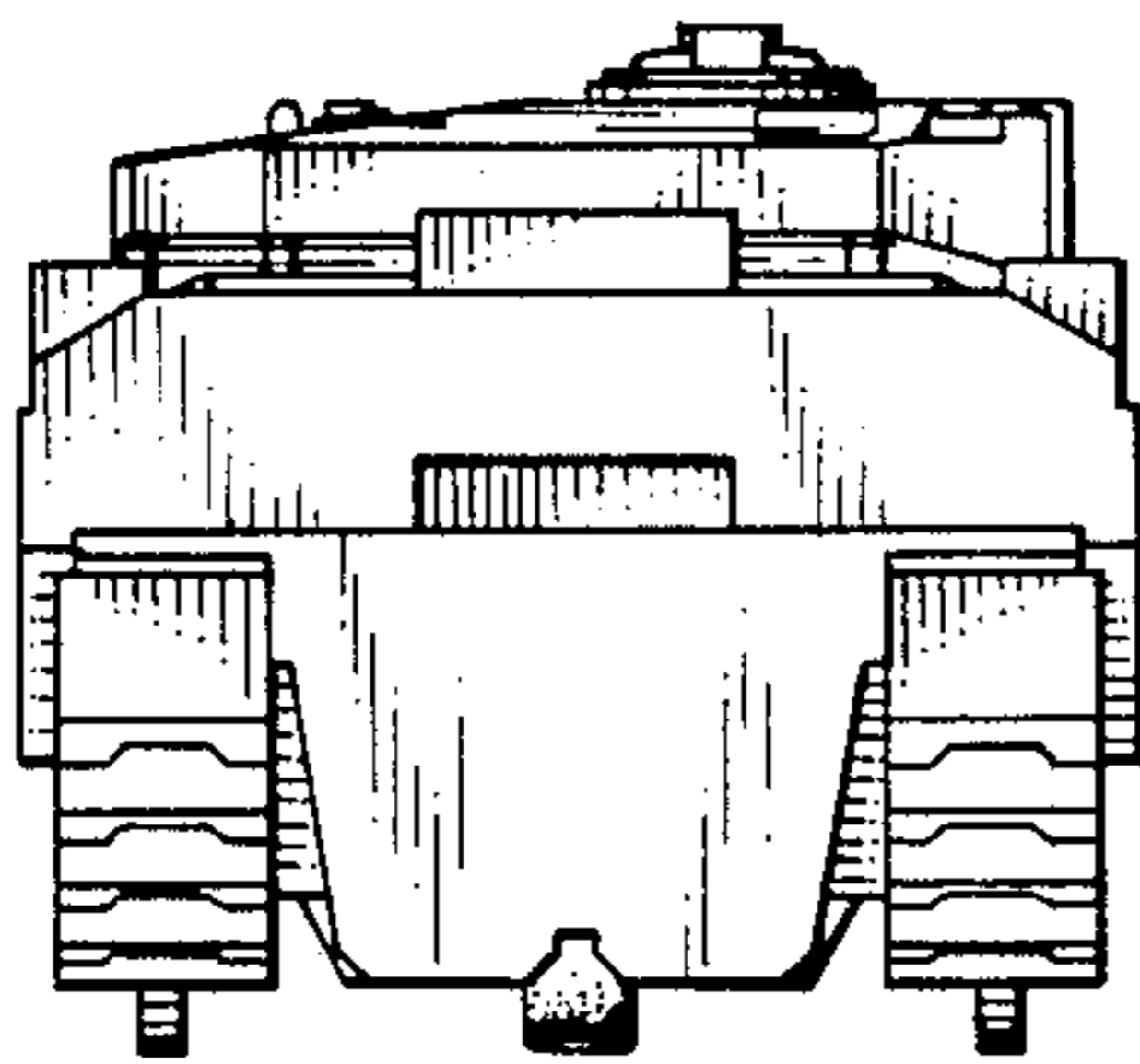


FIG. 6

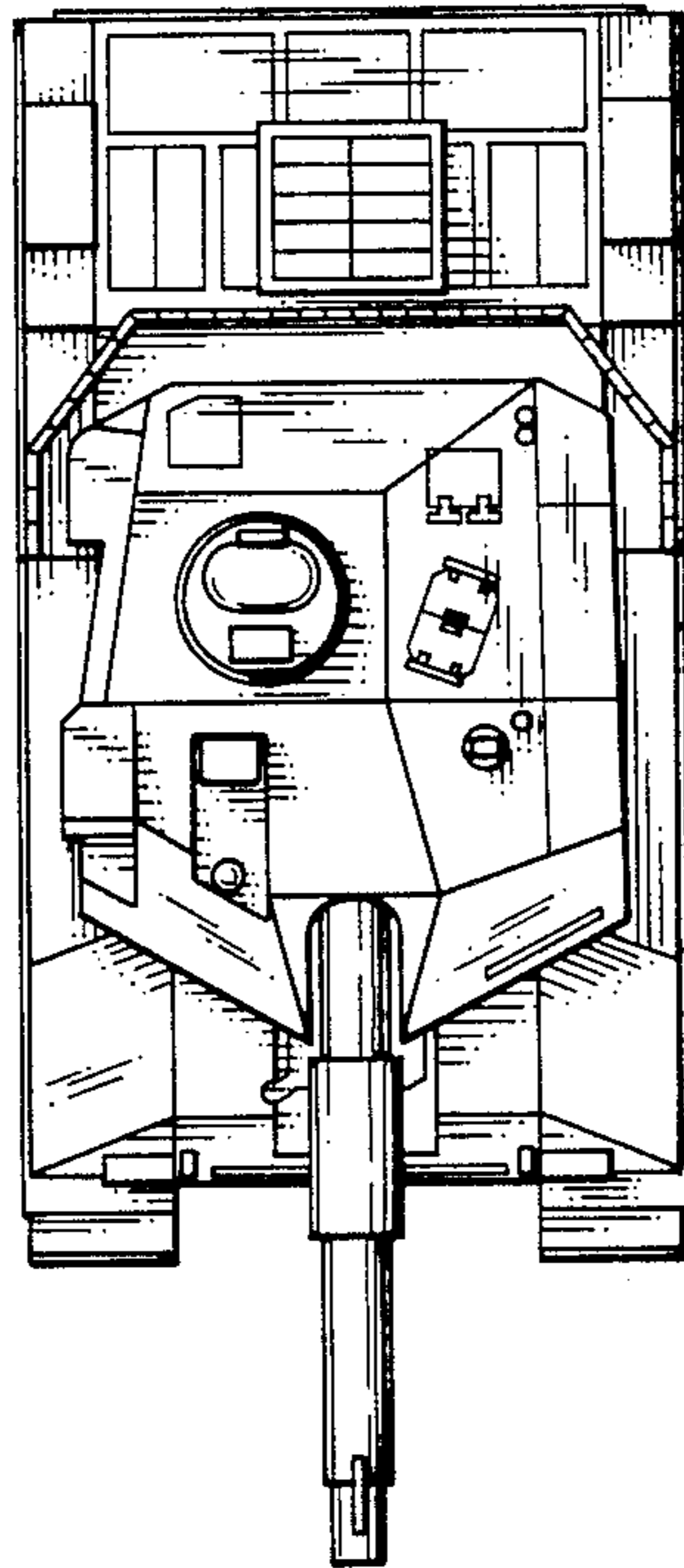


FIG. 7

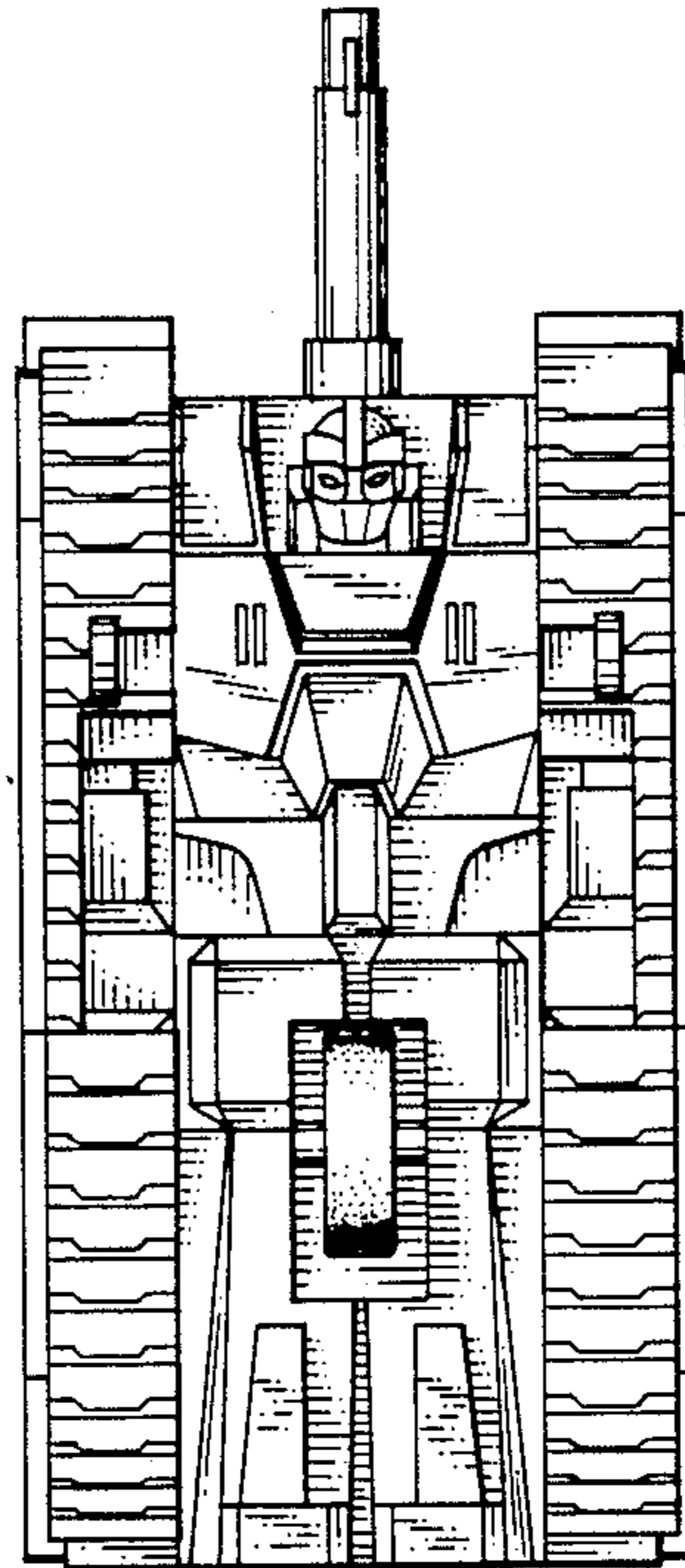


FIG. 10

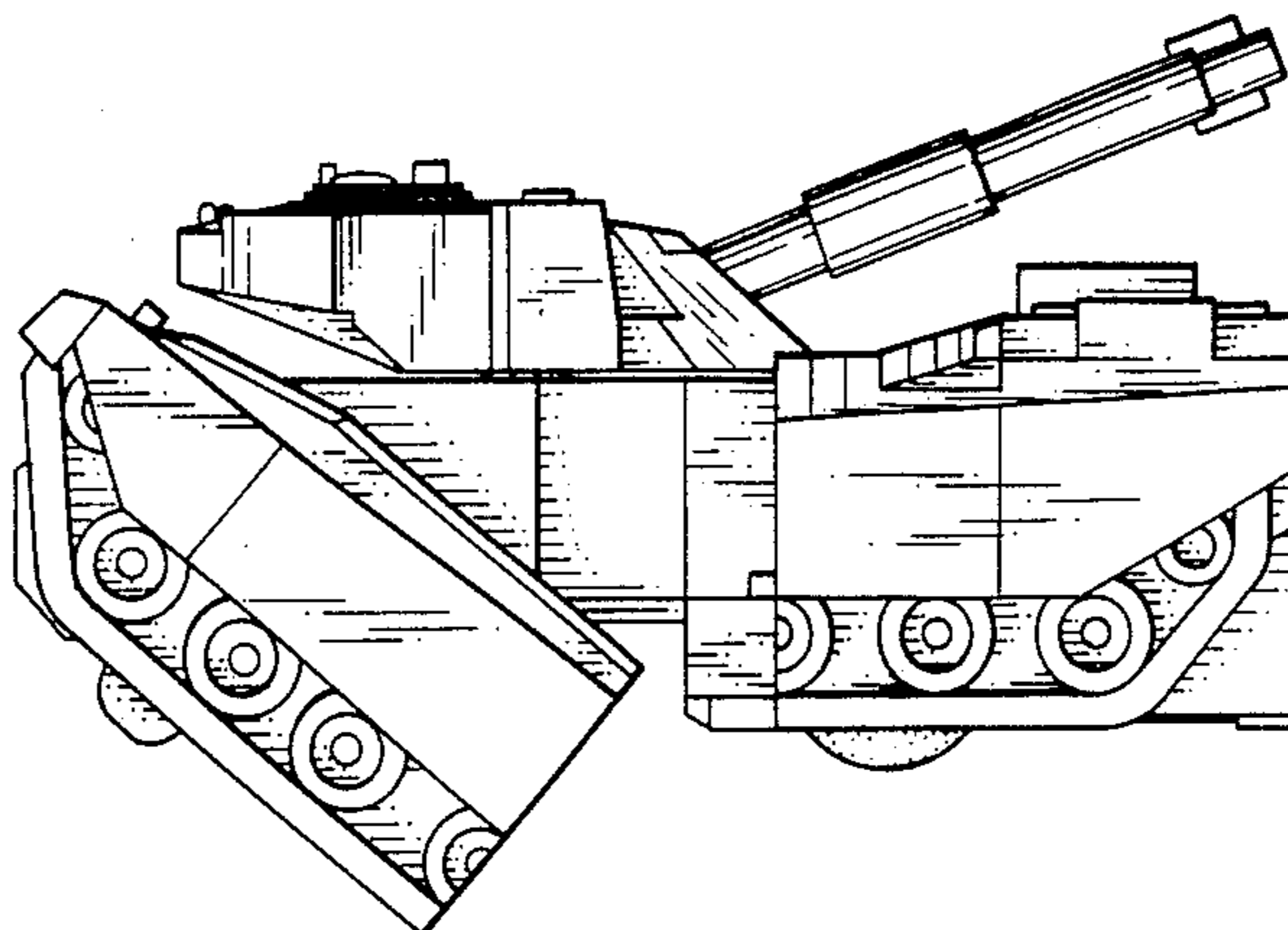


FIG. 9

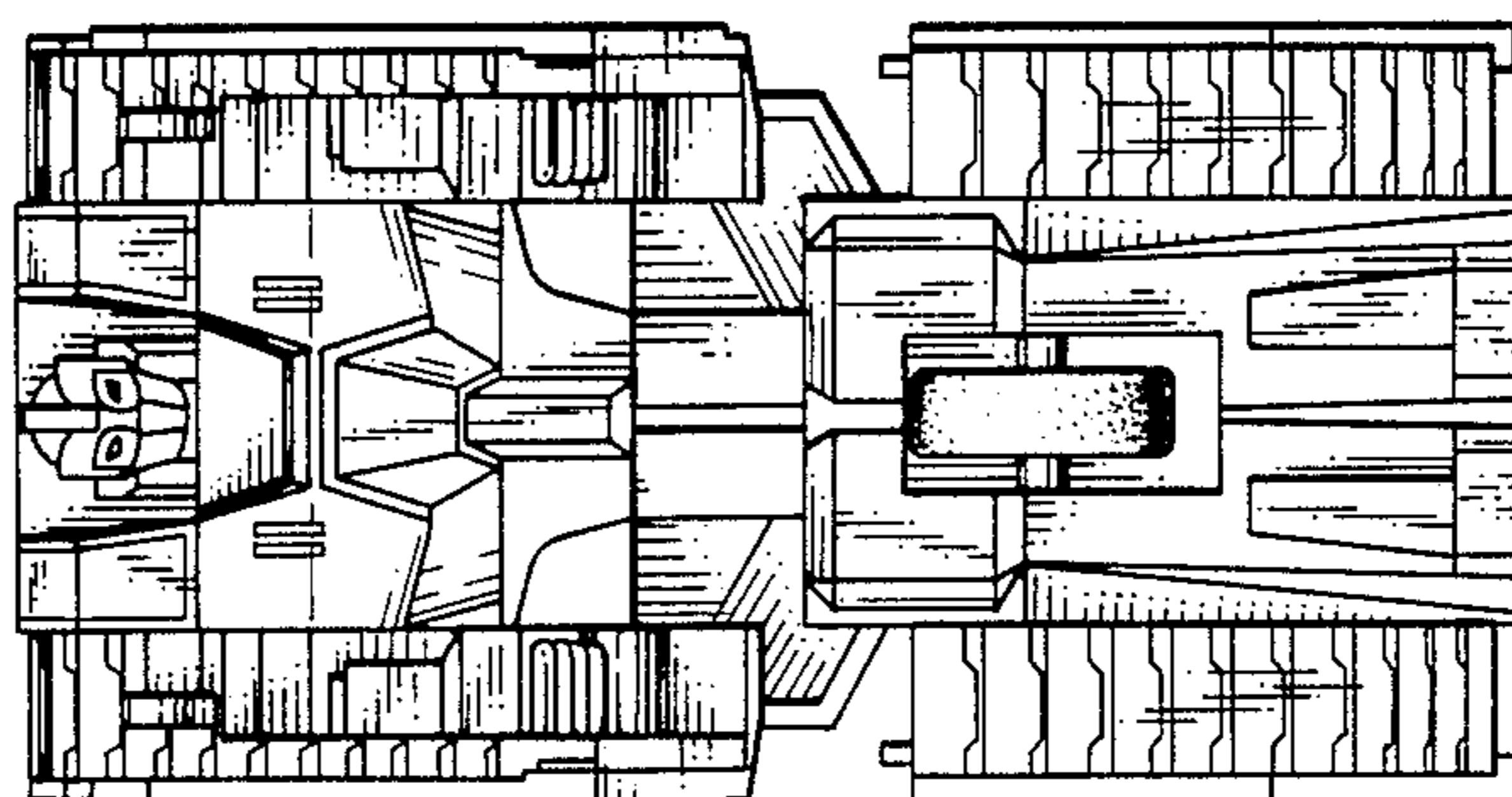


FIG. 8

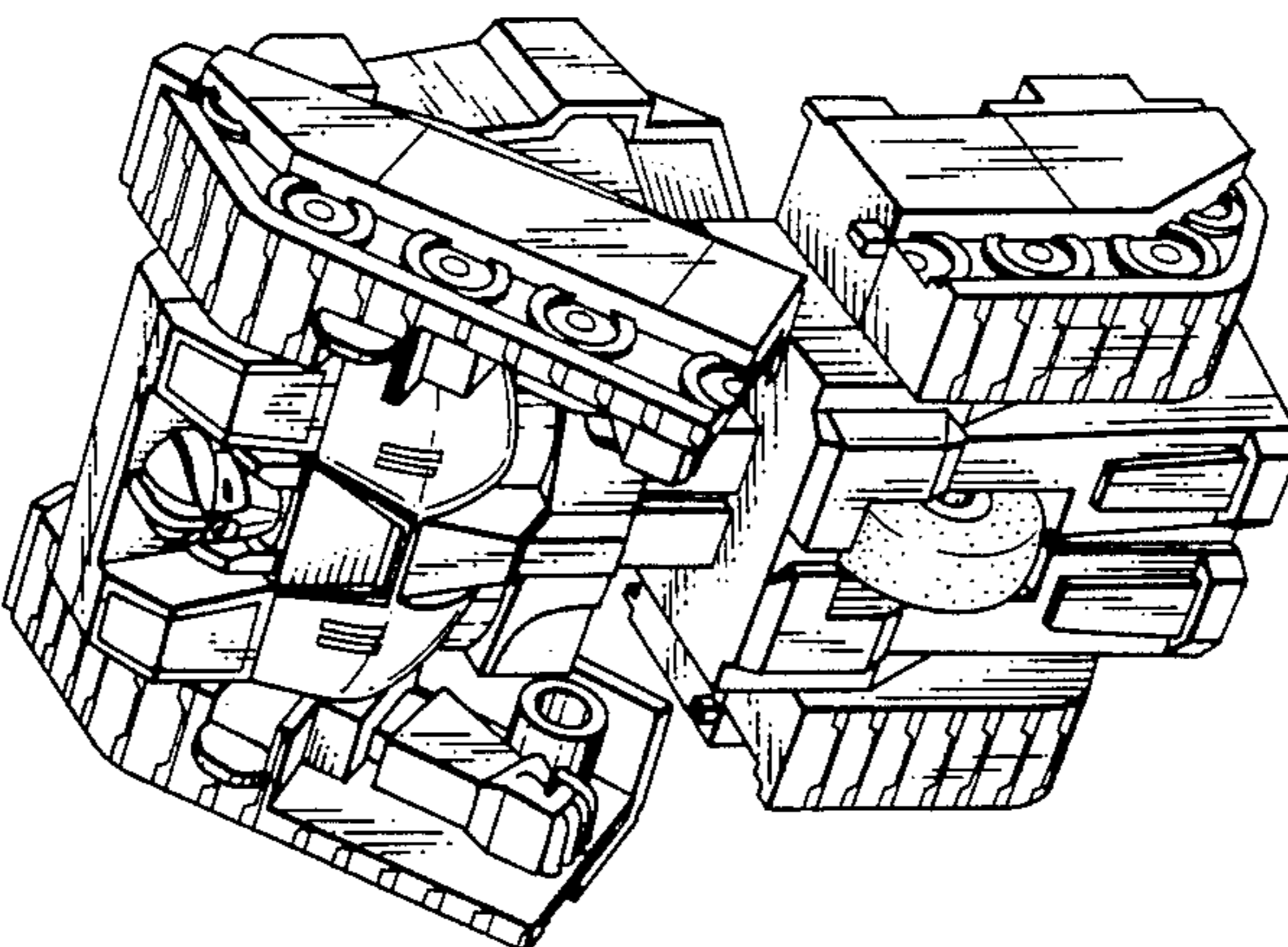


FIG. 11

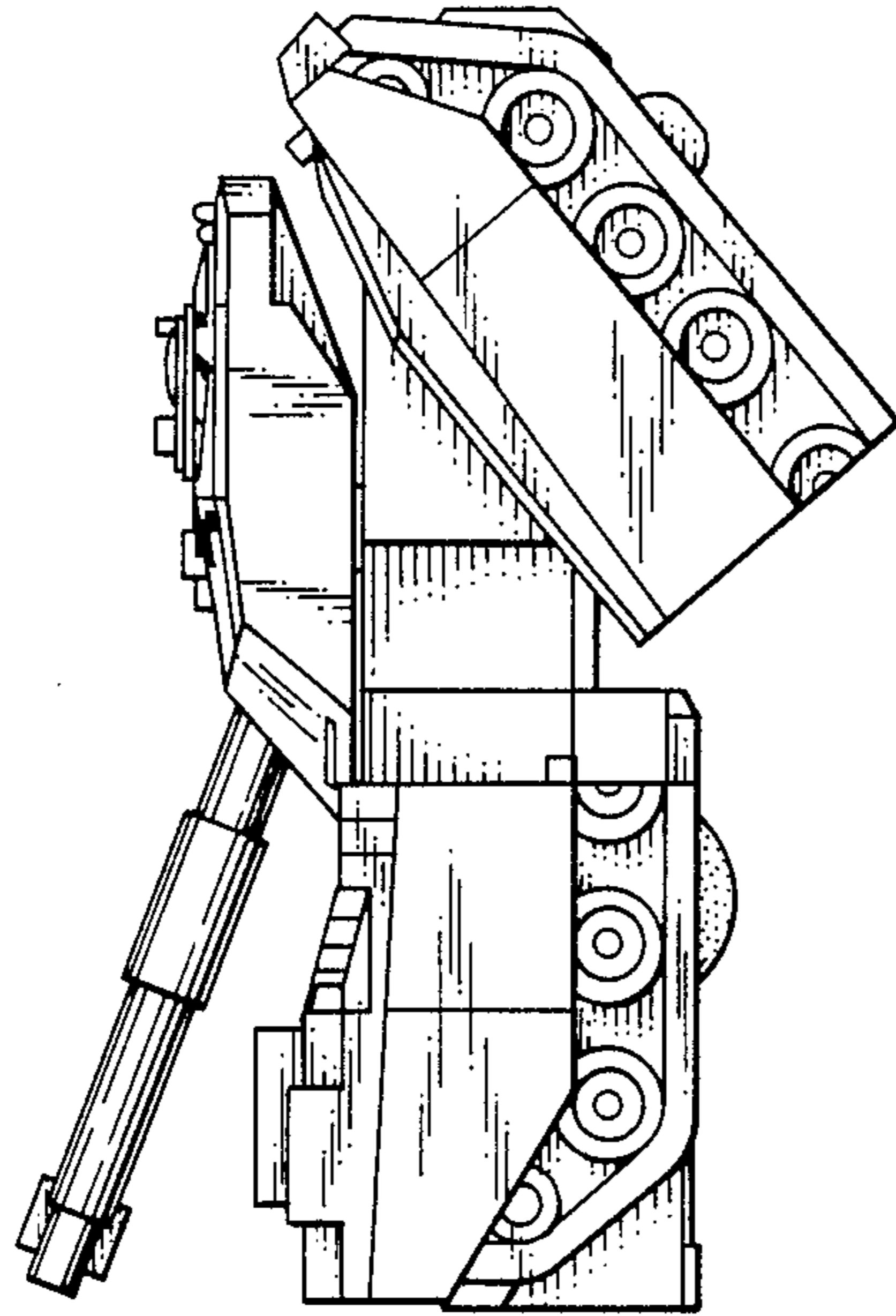


FIG. 12

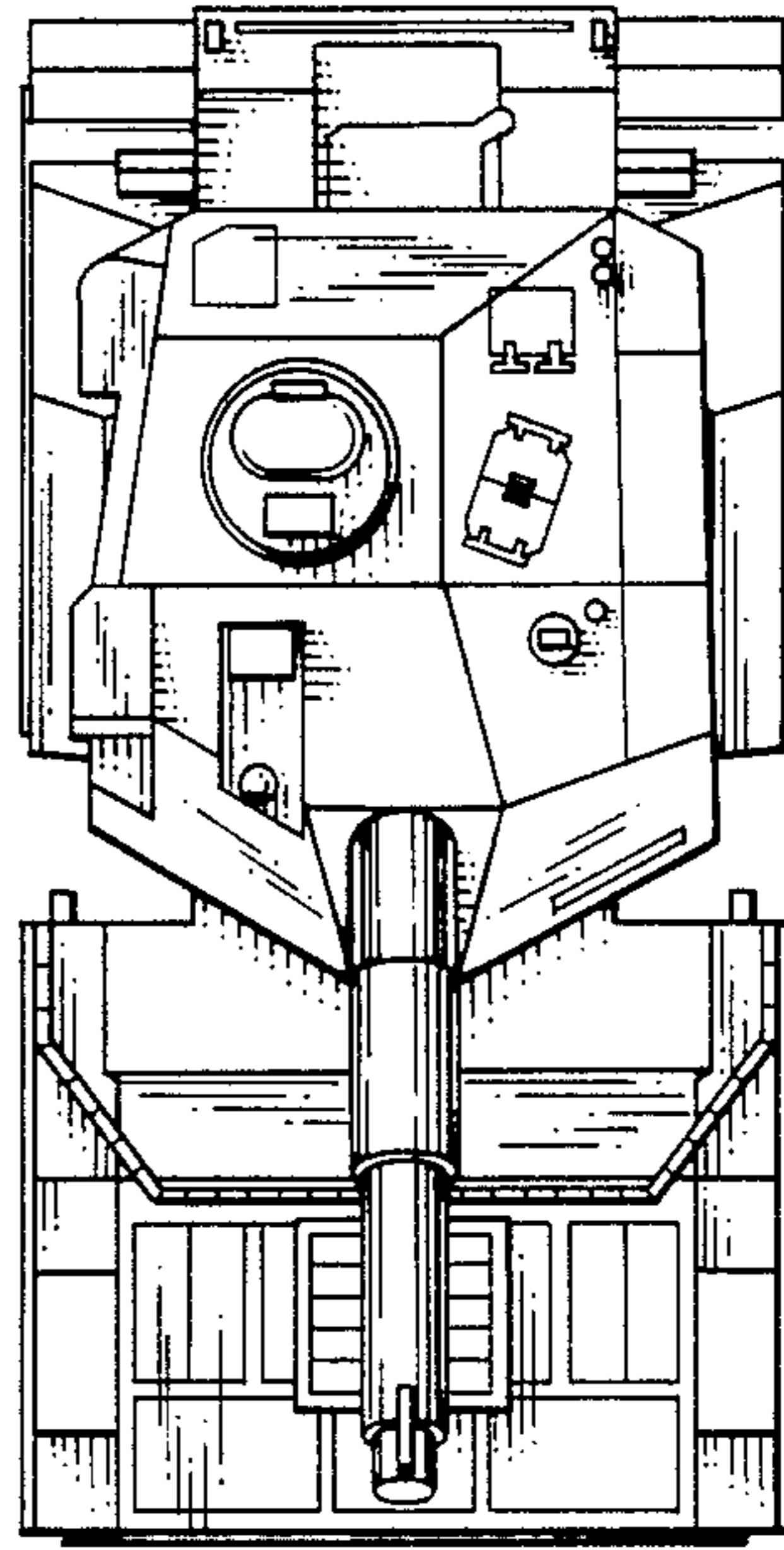


FIG. 13

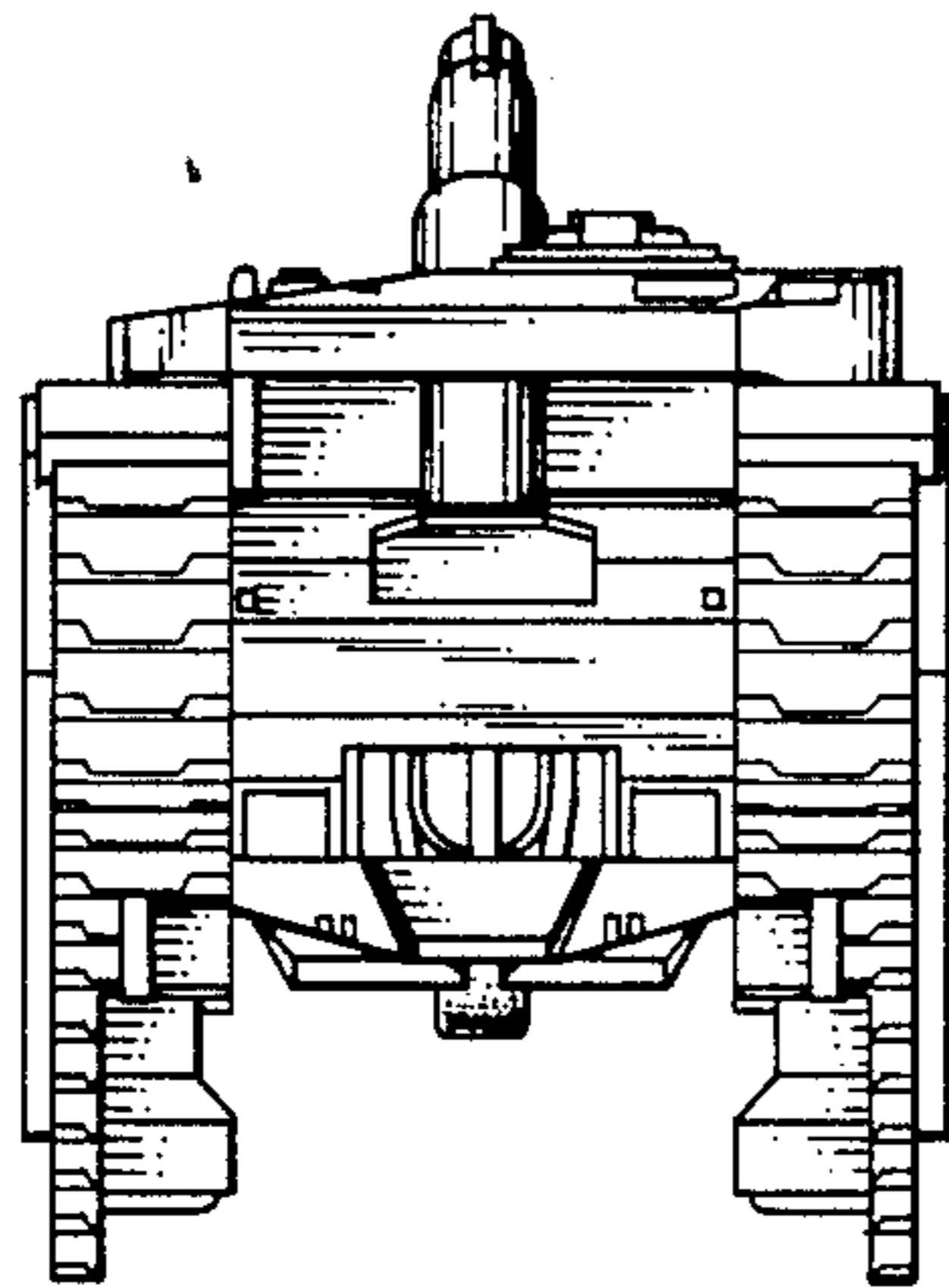


FIG. 14

