

[54] **BOOMERANG** 4,491,327 1/1985 Morris D21/203
[76] **Inventor: Larry R. Parks, 19323 Dalby, Redford, Mich. 48240**
[**] **Term: 14 Years**
[21] **Appl. No.: 48,135**
[22] **Filed: May 11, 1987**
[52] **U.S. Cl. D21/82; D21/203**
[58] **Field of Search D21/59, 82, 203; 273/426, 427**

4,491,327 1/1985 Morris D21/203
FOREIGN PATENT DOCUMENTS
1215289 11/1959 France 273/426
27067 12/1902 United Kingdom 273/426

Primary Examiner—Charles A. Rademaker
Assistant Examiner—Alicia A. Farrell
Attorney, Agent, or Firm—Charles W. Chandler

[57] **CLAIM**

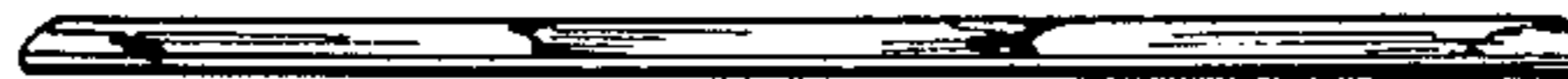
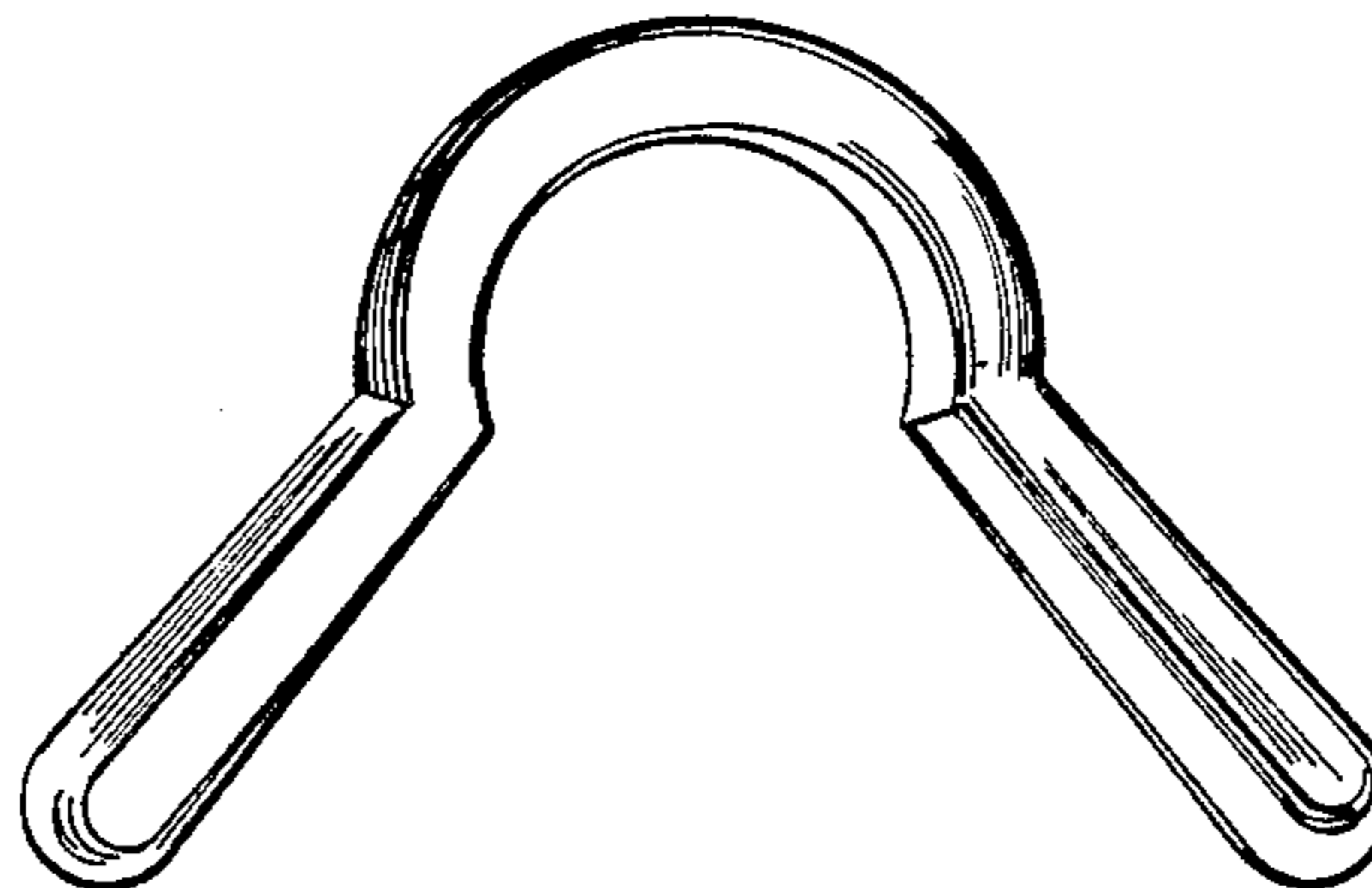
The ornamental design for a boomerang, as shown and described.

[56] **References Cited**
U.S. PATENT DOCUMENTS

D. 31,877	11/1899	Berry	D21/82
D. 243,029	1/1977	Crew	D21/82
D. 266,683	10/1982	Zobkiw	D21/82
D. 273,206	3/1984	Sahler	D21/59
D. 283,143	3/1986	Ruhf et al.	D21/82
510,290	12/1893	Renear	D21/82
925,445	6/1906	Bartlett	D21/82
3,403,910	10/1968	Claycomb	D21/82
3,467,385	9/1969	Liston	273/426

DESCRIPTION

FIG. 1 is a top plan view of a boomerang showing my new design;
FIG. 2 is a bottom plan view thereof;
FIG. 3 is a right side elevational view thereof; the side opposite being a mirror image;
FIG. 4 is a front elevational view thereof;
FIG. 5 is an enlarged cross sectional view thereof; taken along lines 5—5 in FIG. 1, and
FIG. 6 is an enlarged cross sectional view thereof; taken along lines 6—6 in FIG. 1.



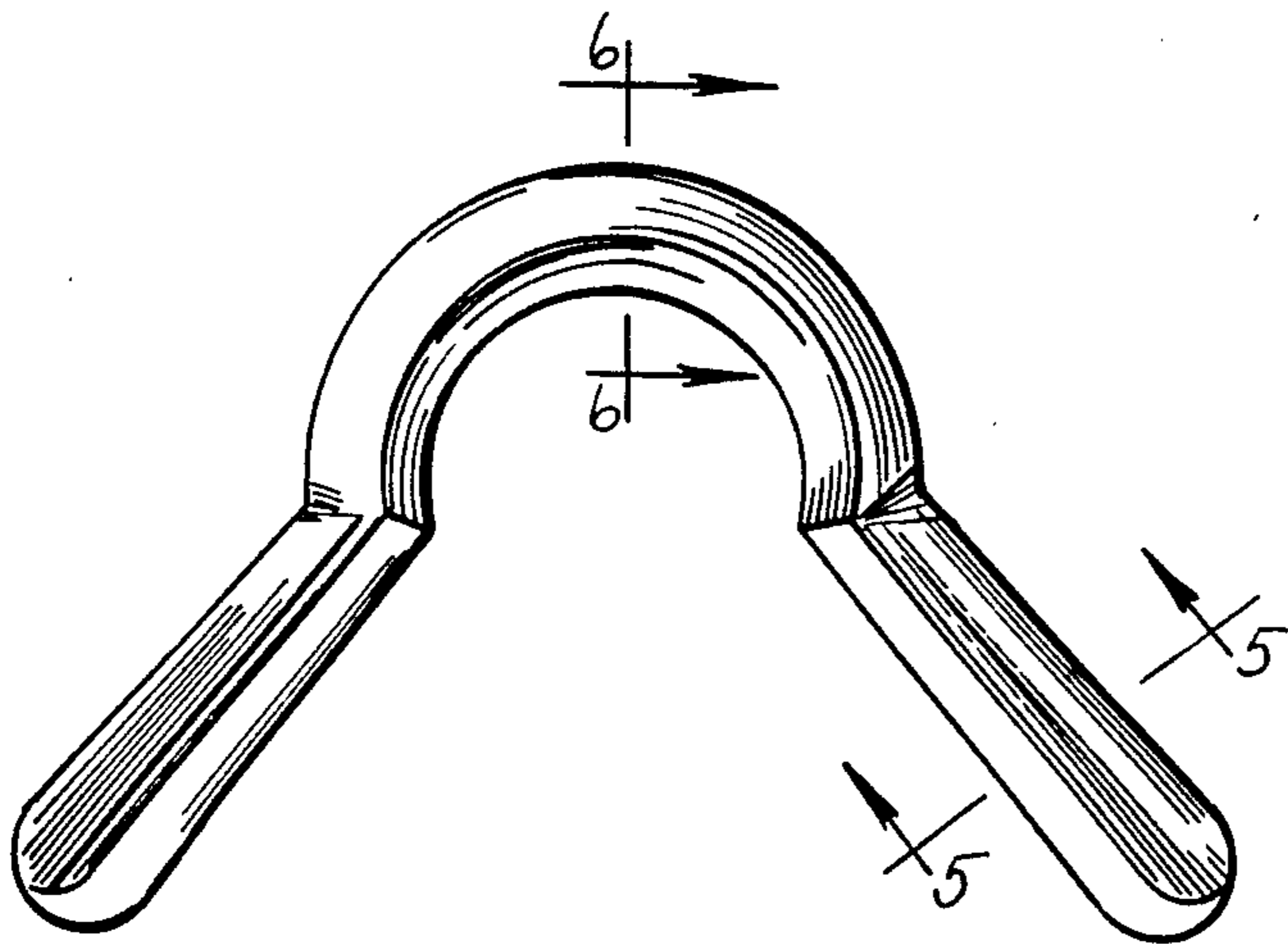


fig. 1

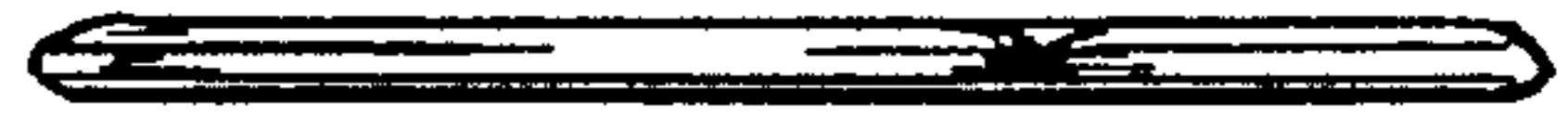


fig. 3

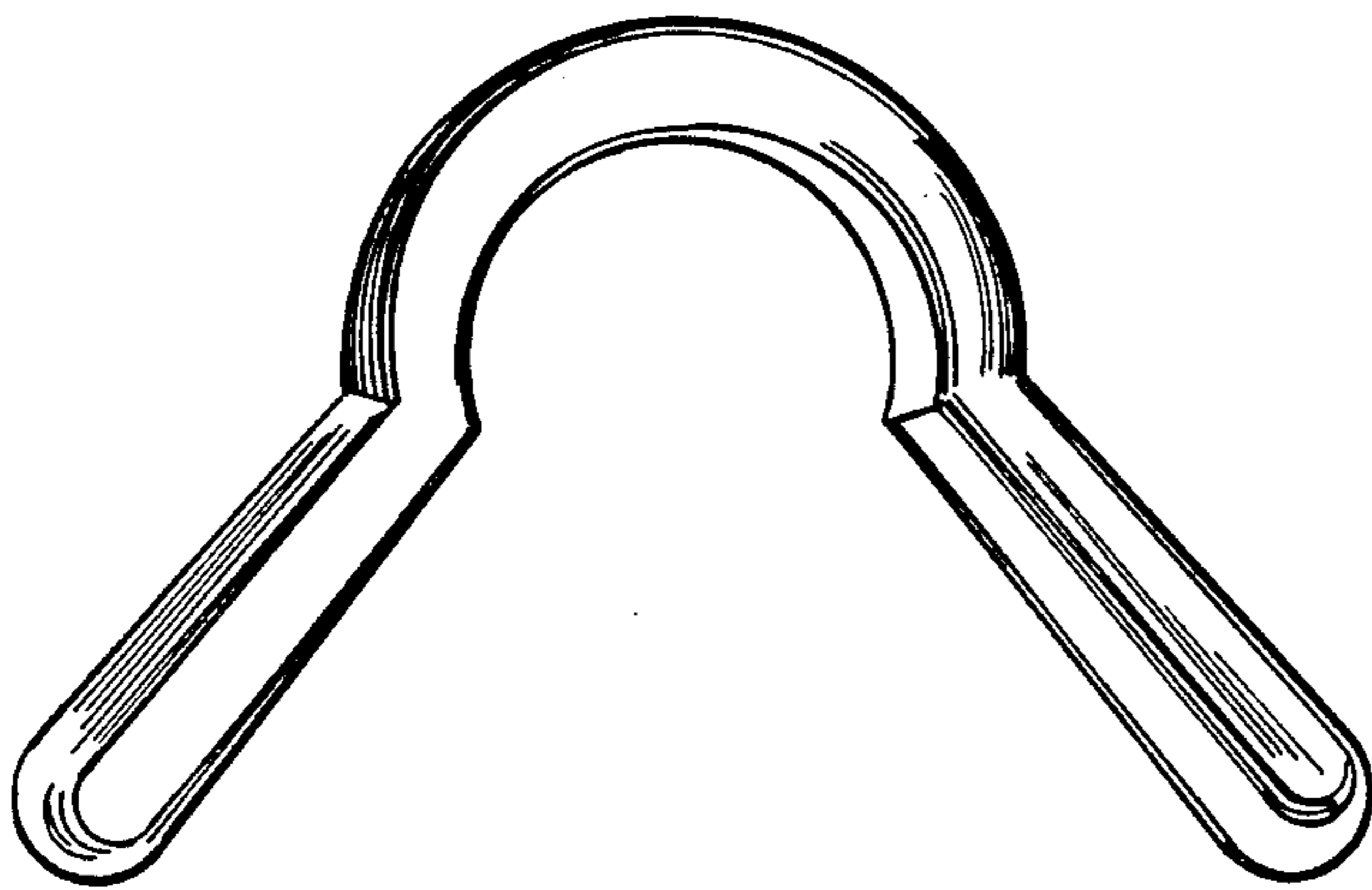


fig. 2



fig. 5



fig. 6

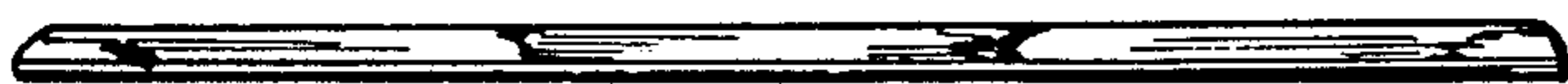


fig. 4