

[54] **EDUCATIONAL TOY VIEWING MACHINE**  
[75] **Inventor: Michael B. Kelly, East Aurora, N.Y.**  
[73] **Assignee: The Quaker Oats Company, Chicago, Ill.**  
[\*\*] **Term: 14 Years**  
[21] **Appl. No.: 256,288**  
[22] **Filed: Oct. 11, 1988**  
[52] **U.S. Cl. .... D21/59; D19/60**  
[58] **Field of Search ..... D21/59, 109; D19/59-62; 434/331, 332, 348**

[56] **References Cited**  
**U.S. PATENT DOCUMENTS**

D. 193,480	8/1962	Hartjen .....	D19/60
D. 198,081	4/1964	Mercorelli .....	D19/60
D. 198,082	4/1964	Ward .....	D19/60
D. 299,472	1/1989	Phinney .....	D19/60
D. 299,473	1/1989	Murphy .....	D19/60
3,116,564	1/1964	Sanford .....	434/331
3,417,490	12/1968	Chuy et al. ....	434/331

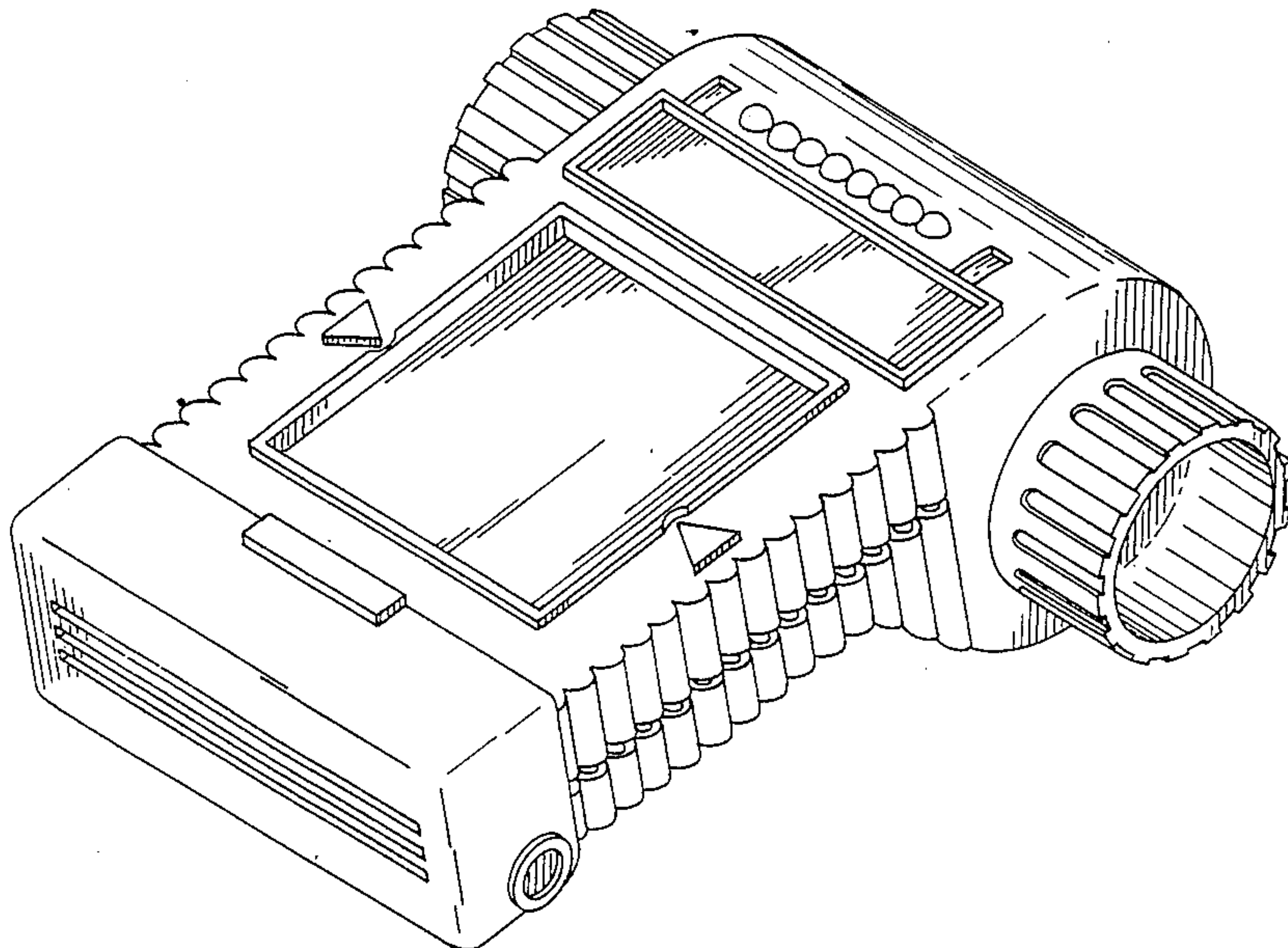
*Primary Examiner*—Charles A. Rademaker  
*Attorney, Agent, or Firm*—Cumpston & Shaw

[57] **CLAIM**

The ornamental design for an educational toy viewing machine, as shown and described.

**DESCRIPTION**

FIG. 1 is a top right front perspective view of an educational toy viewing machine showing my new design; FIG. 2 is a front elevational view with the toy in substantially vertical position thereof; FIG. 3 is a right side elevational view with the toy in substantially horizontal position thereof; FIG. 4 is a rear elevational view with the toy in substantially vertical position thereof; FIG. 5 is a left side elevational view with the toy in substantially horizontal position thereof; FIG. 6 is a top plan view with the toy in substantially vertical position thereof; and FIG. 7 is a bottom plan view with the toy in substantially vertical position.



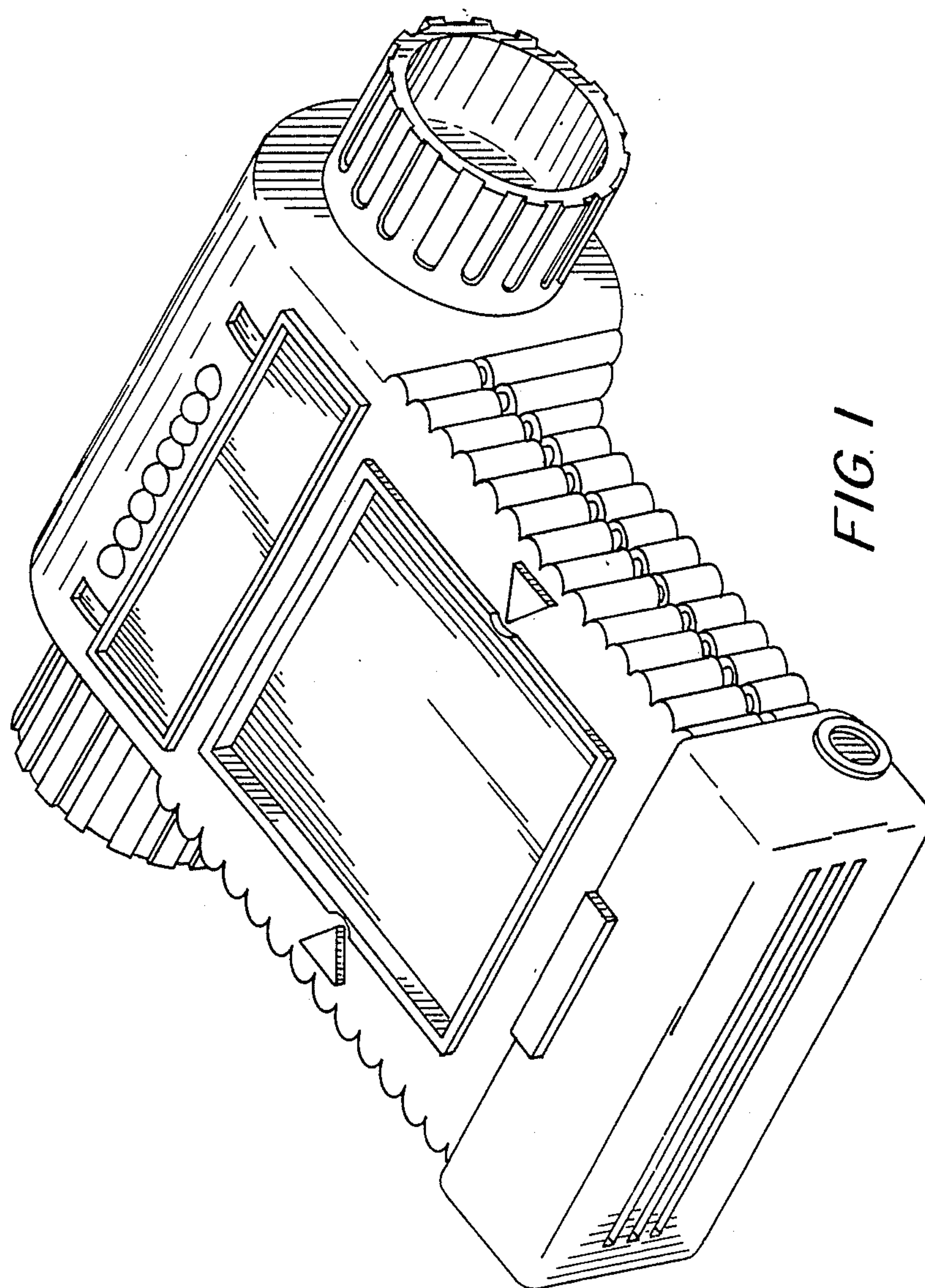


FIG. 1

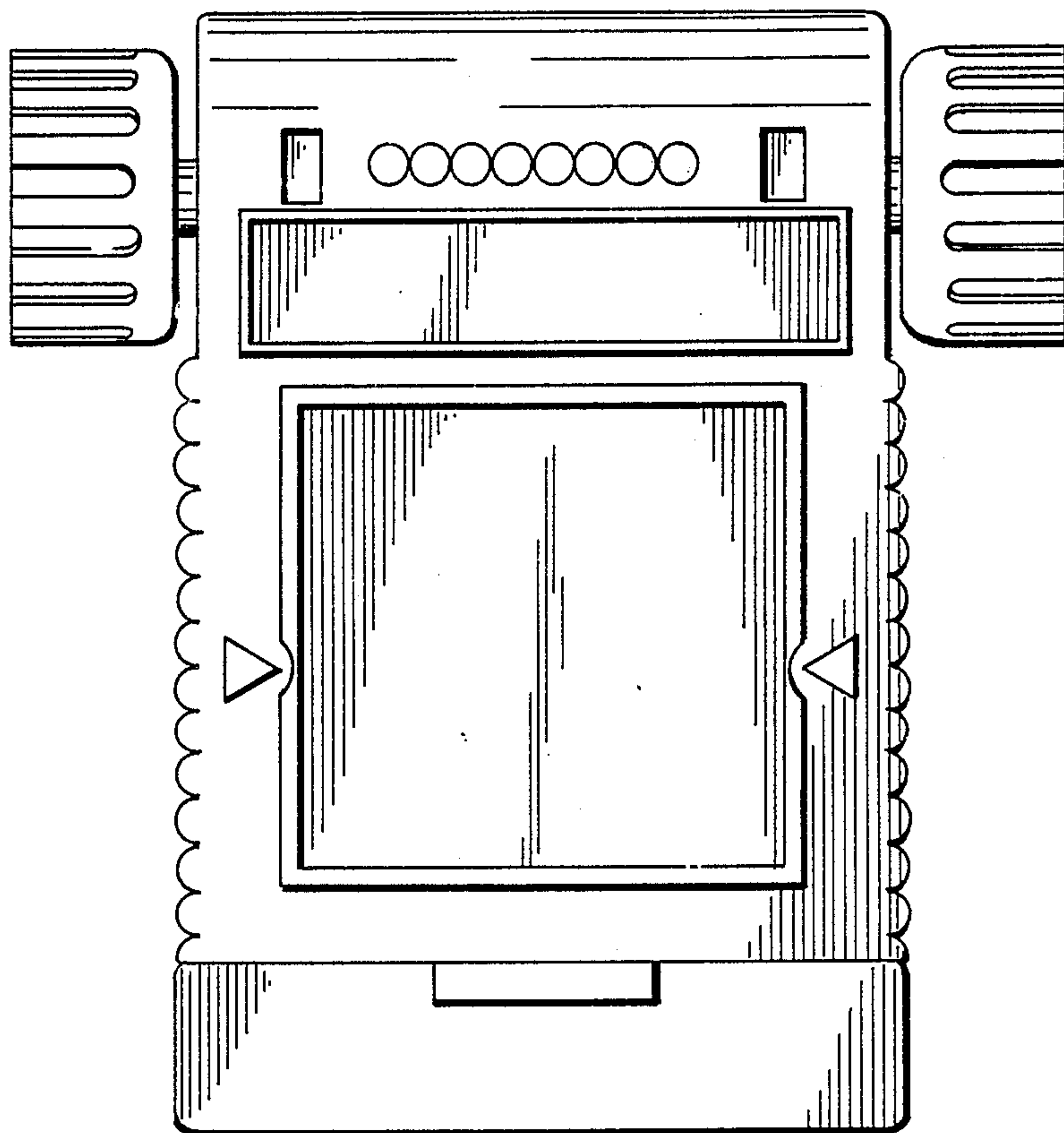


FIG. 2

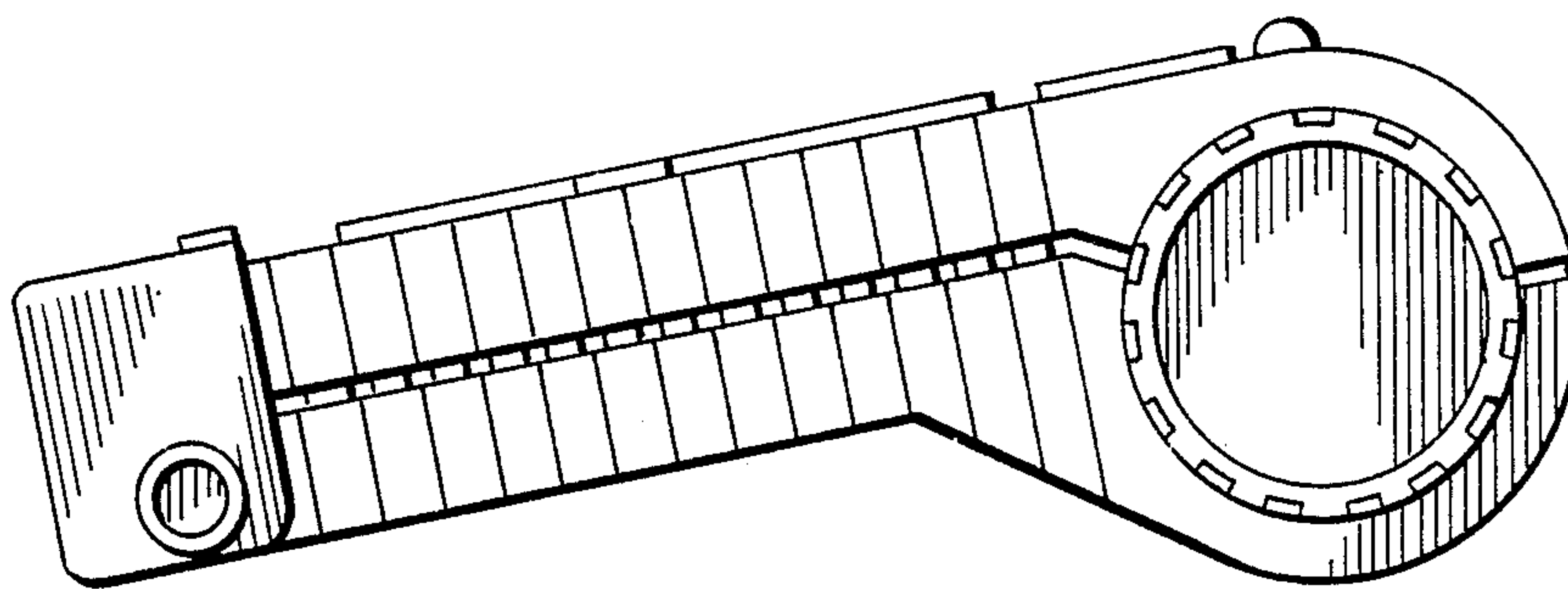


FIG. 3

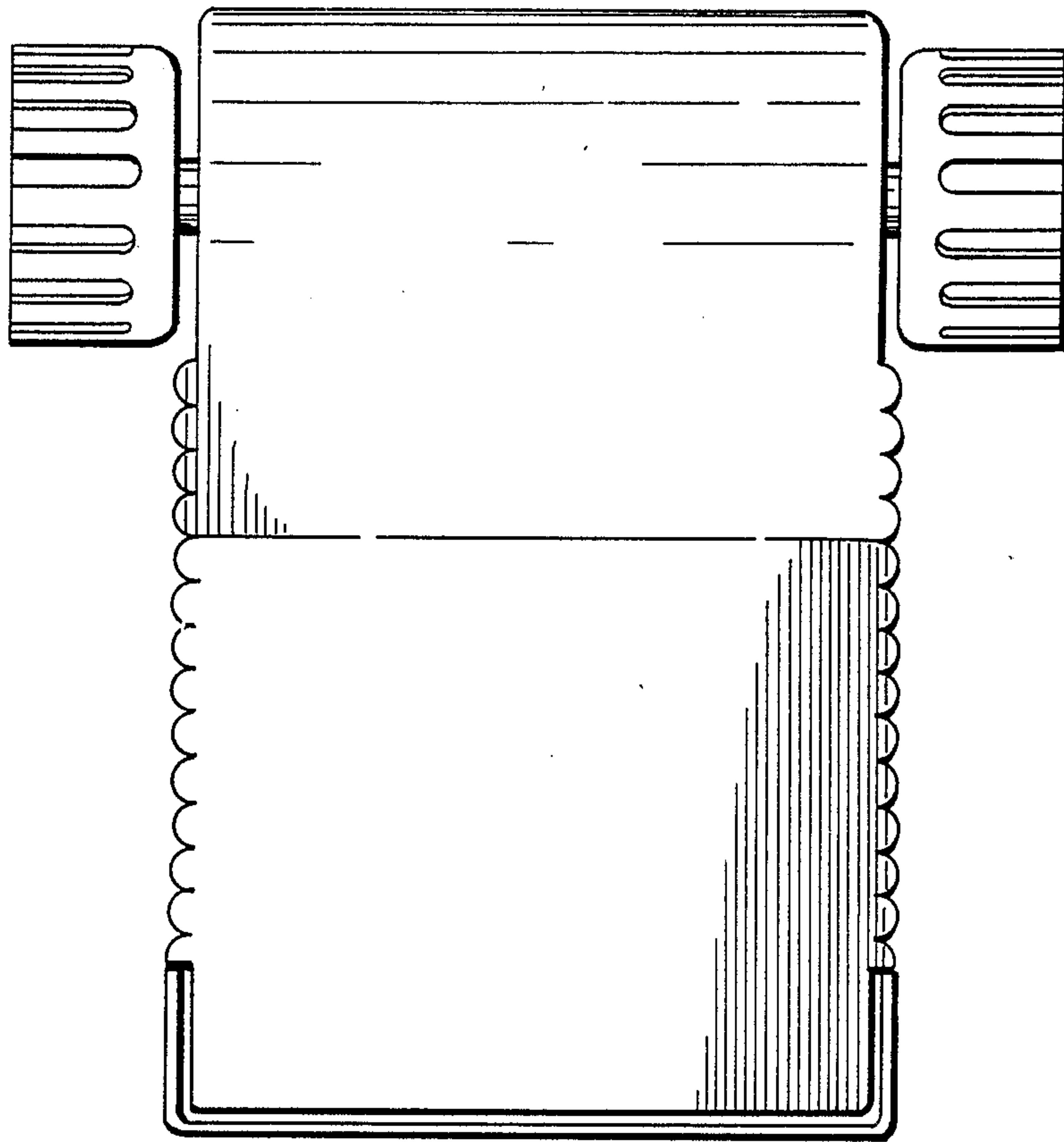


FIG. 4

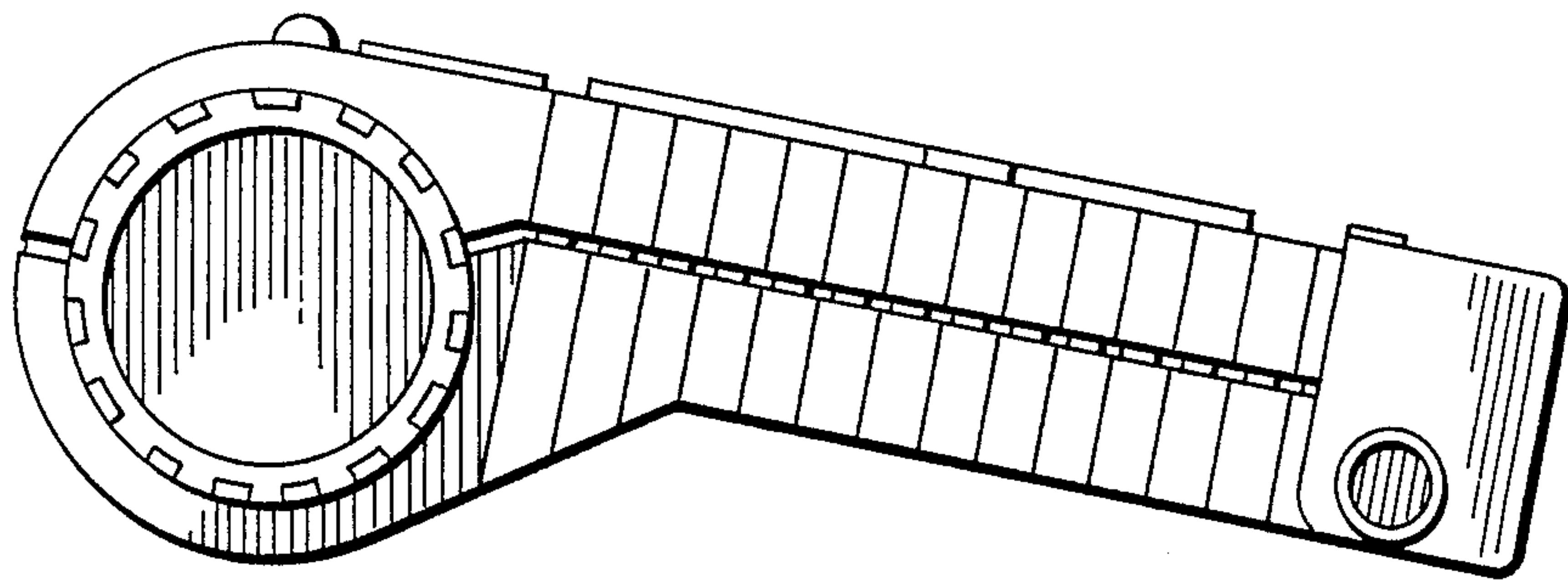


FIG. 5



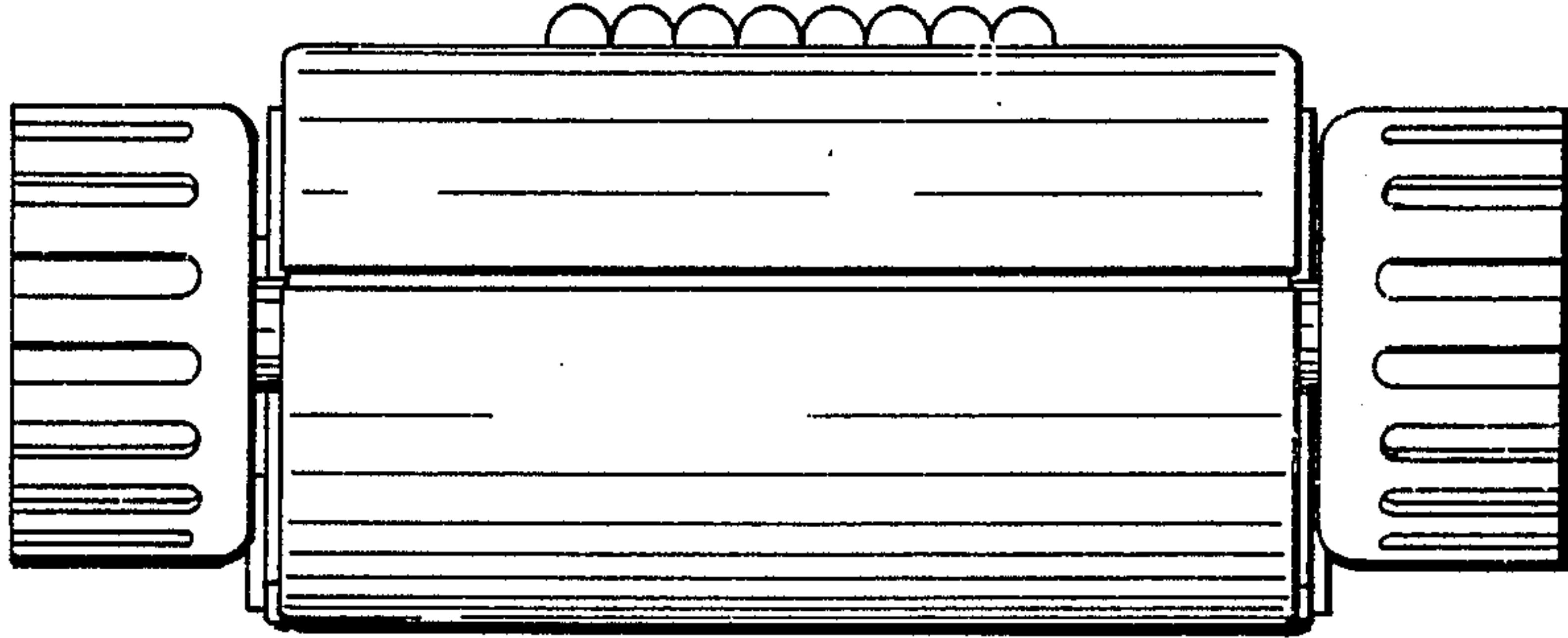


FIG. 6

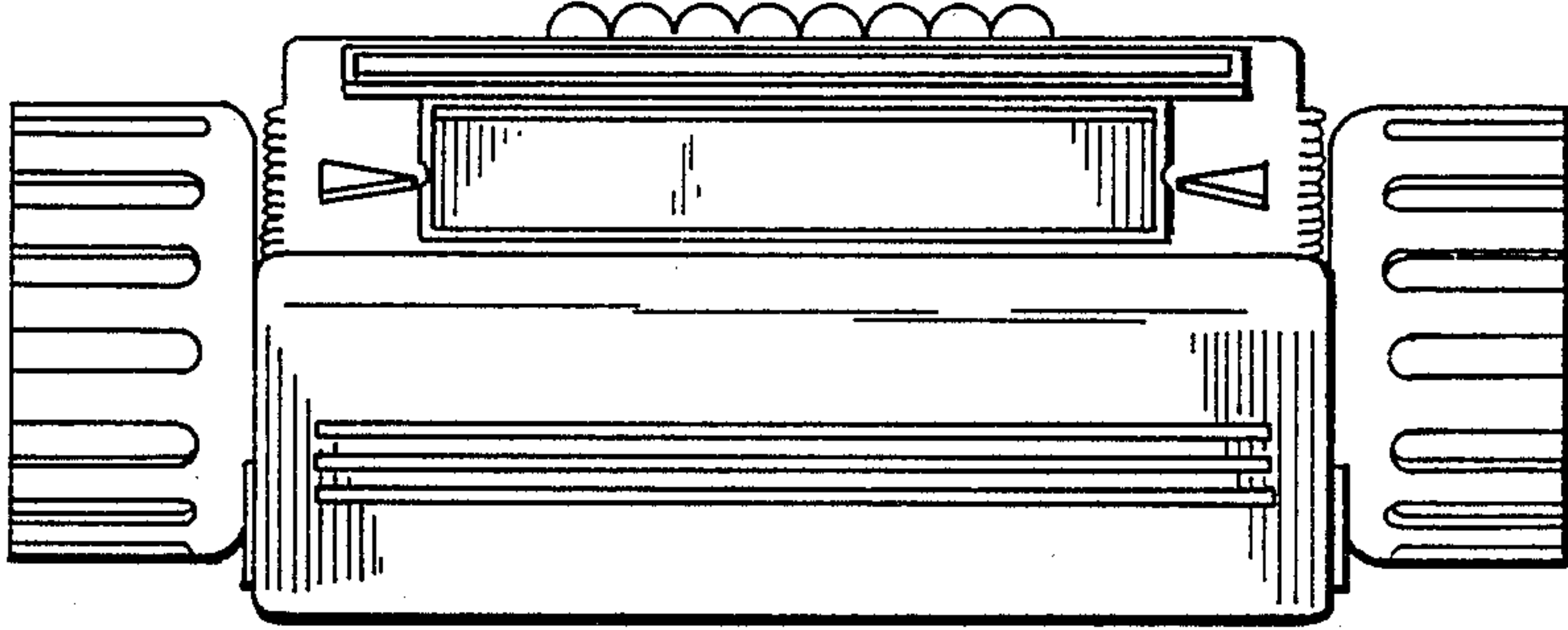


FIG. 7