

[54] HOLDER FOR GAME CHIPS

[76] Inventor: Chester H. Ahola, 16141 Puritus Ave., Cleveland, Ohio 44135

[\*\*] Term: 14 Years

[21] Appl. No.: 41,919

[22] Filed: Apr. 24, 1987

[52] U.S. Cl. .... D21/54; D6/475

[58] Field of Search ..... D21/54-57; 273/148 A, 148 R, 150; D6/475, 466, 300, 302, 512, 552; D19/67, 75

[56] References Cited

U.S. PATENT DOCUMENTS

D. 107,883	1/1938	Noel	.....	D6/475
D. 140,244	2/1945	Wemyss	.....	D6/466
D. 147,591	9/1947	Kramer	.....	D6/475
D. 168,423	12/1952	Schiffer	.....	D6/475
D. 186,672	11/1959	Gilruth	.....	D6/475
D. 264,358	5/1982	Welteroth	.....	D21/54
D. 283,954	5/1986	Daws	.....	D6/475 X
805,895	11/1905	Wedderburn	.....	273/150

OTHER PUBLICATIONS

Glynco Plastics Inc., Jul. 1983, p. 7, as shown. J. D. Acrylics, Aug. 31, 1983, p. 14, Easels, center of the page.

Karmel Plastics, 1980, p. 11, Item No. 581.

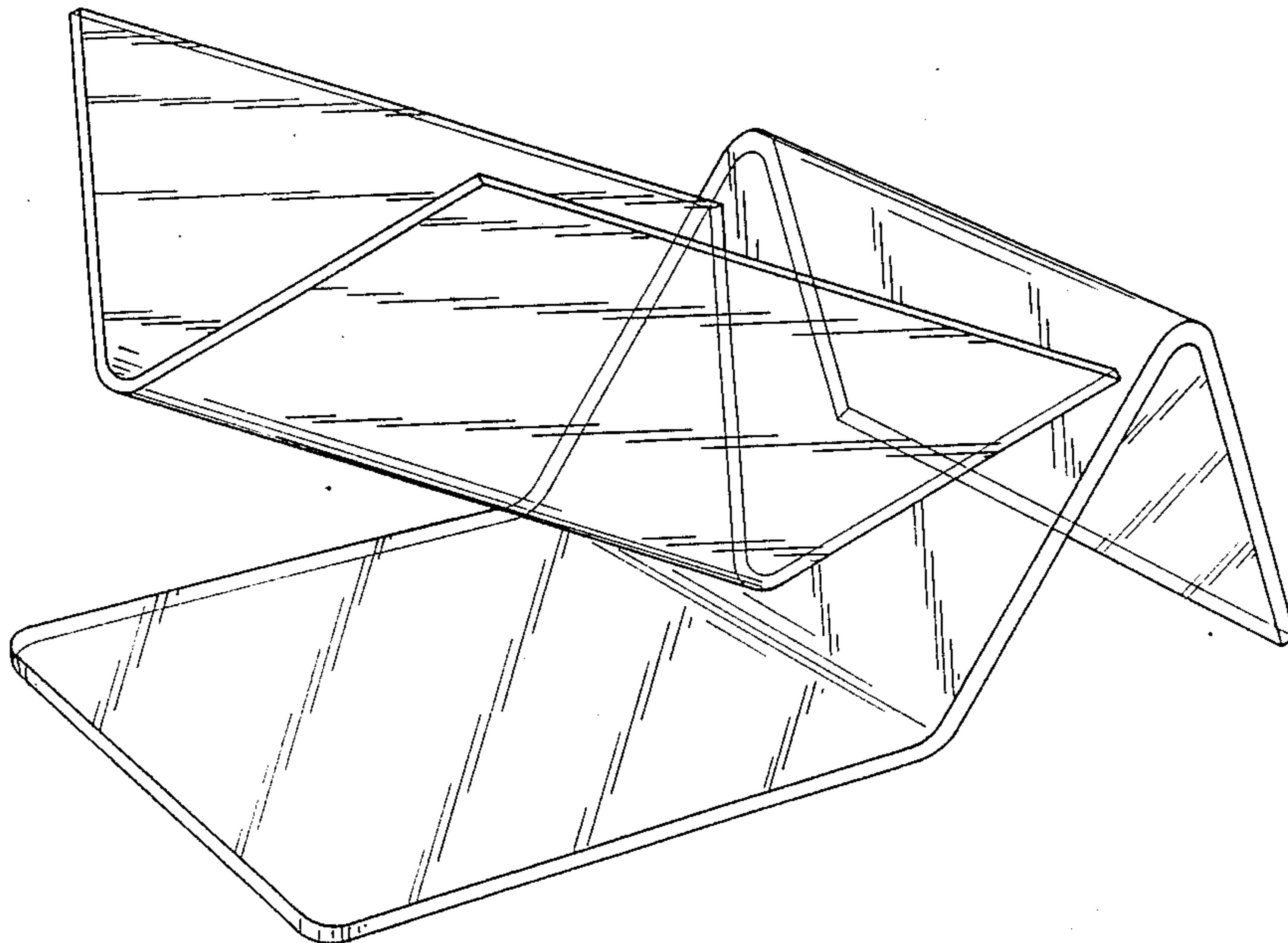
Primary Examiner—Melvin B. Feifer  
Assistant Examiner—Prabhakar Deshmukh  
Attorney, Agent, or Firm—Pearne, Gordon, McCoy & Granger

[57] CLAIM

The ornamental design for a holder for game chips, as shown and described.

DESCRIPTION

FIG. 1 is a perspective view of a holder for game chips showing my new design; FIG. 2 is a right side elevation thereof, the left side elevation being a mirror image thereof; FIG. 3 is a top plan view thereof; FIG. 4 is a bottom plan view thereof; FIG. 5 is a front elevation thereof; and FIG. 6 is a rear elevation thereof.



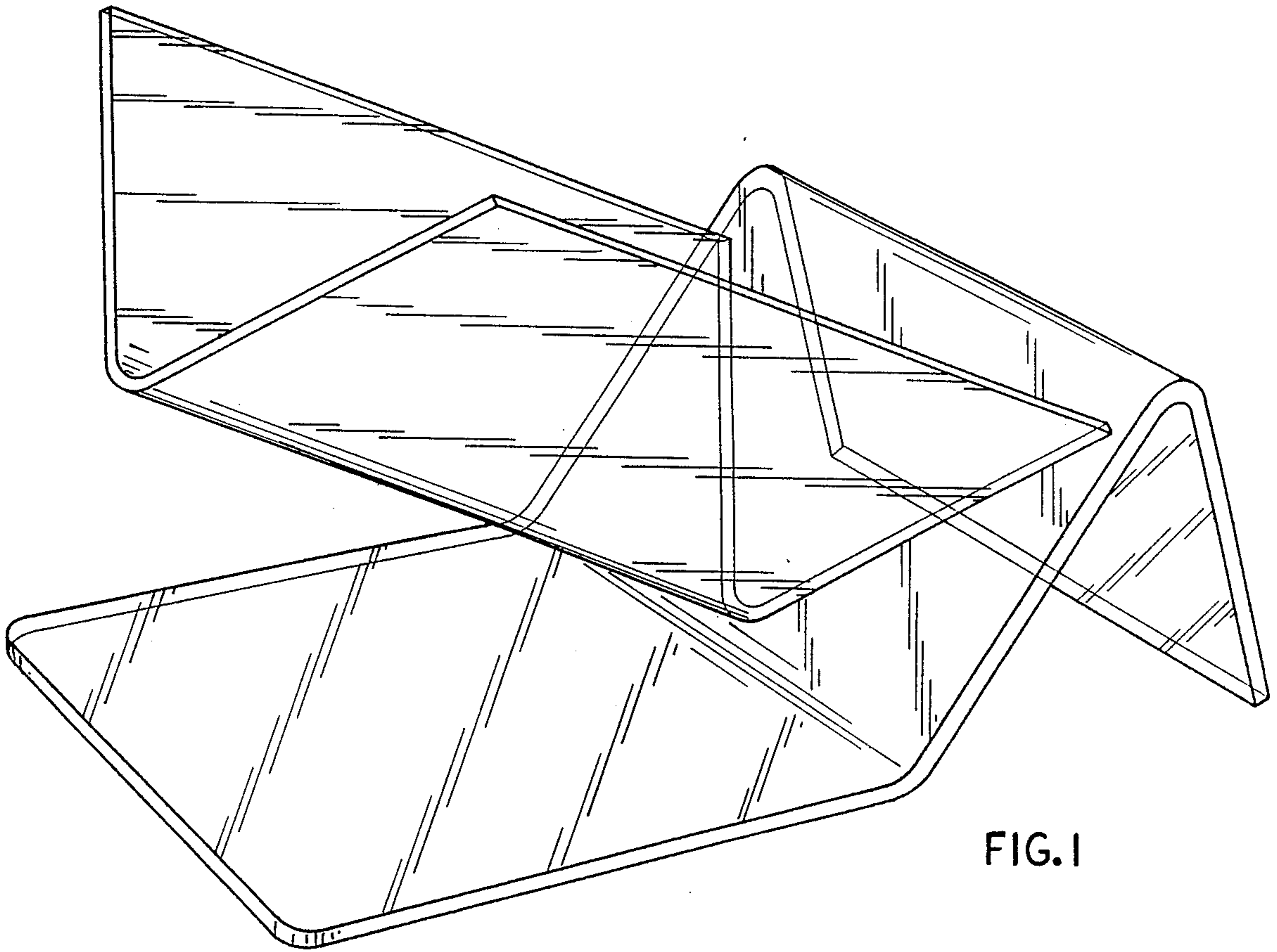


FIG. 1

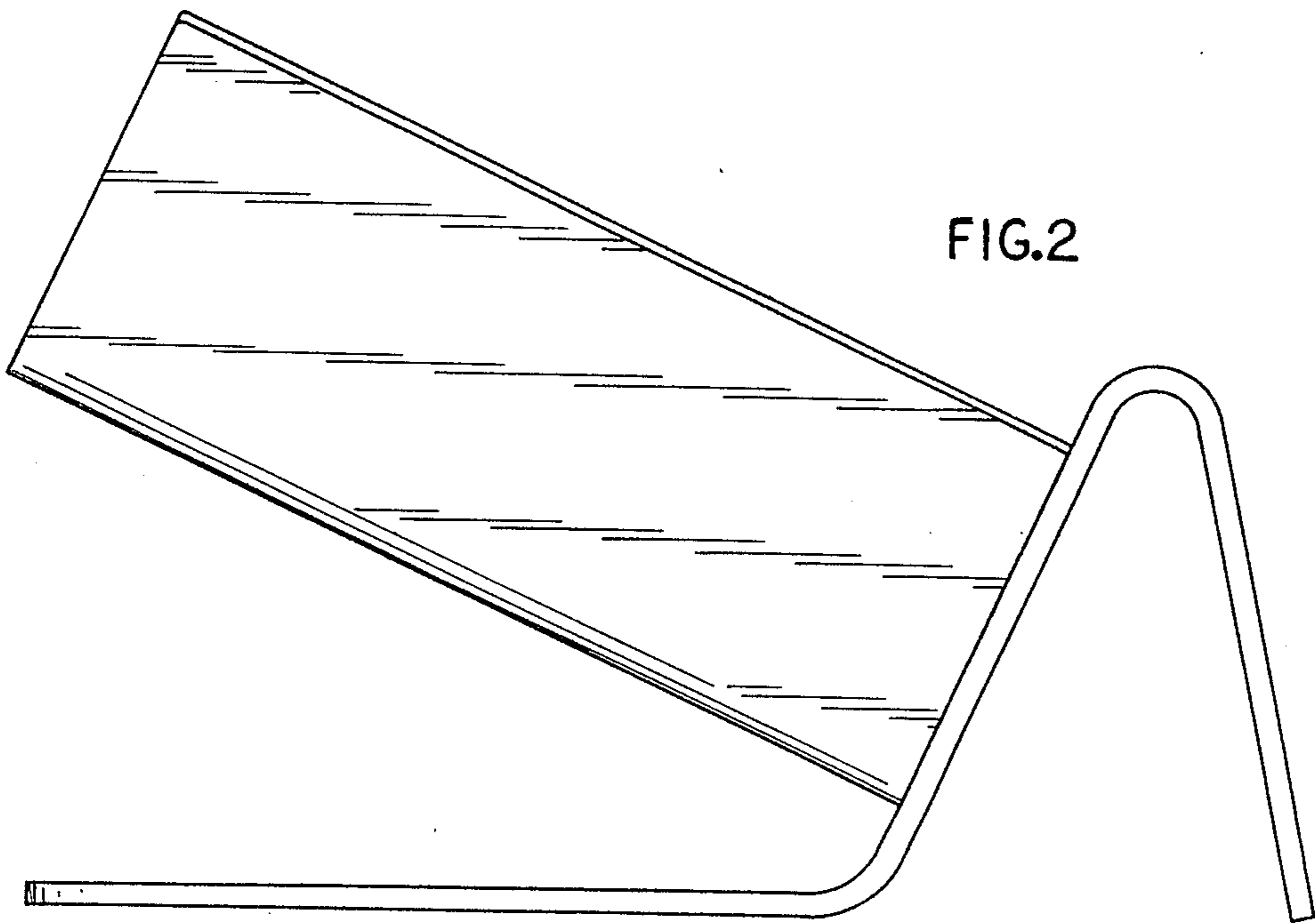


FIG. 2

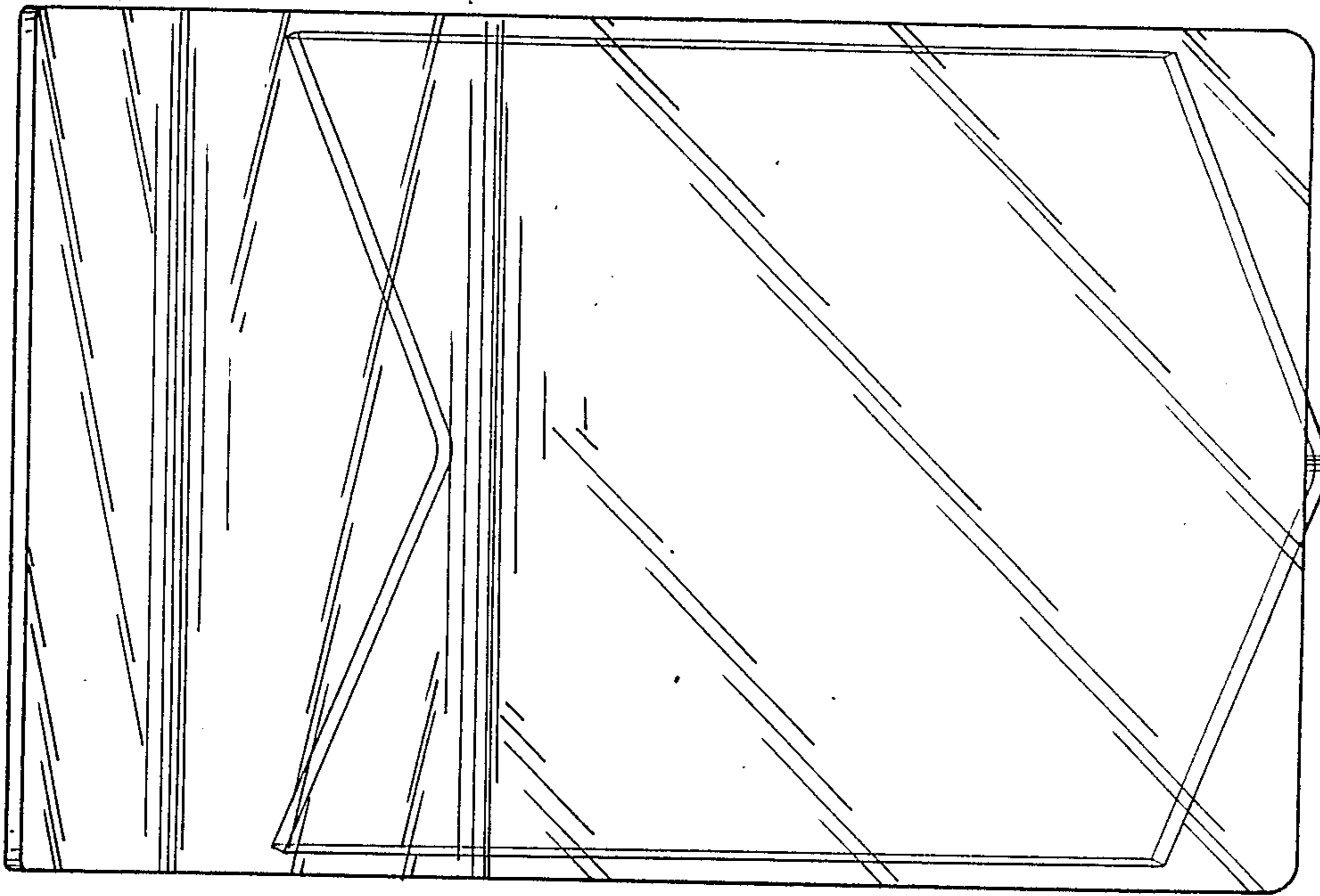


FIG. 4

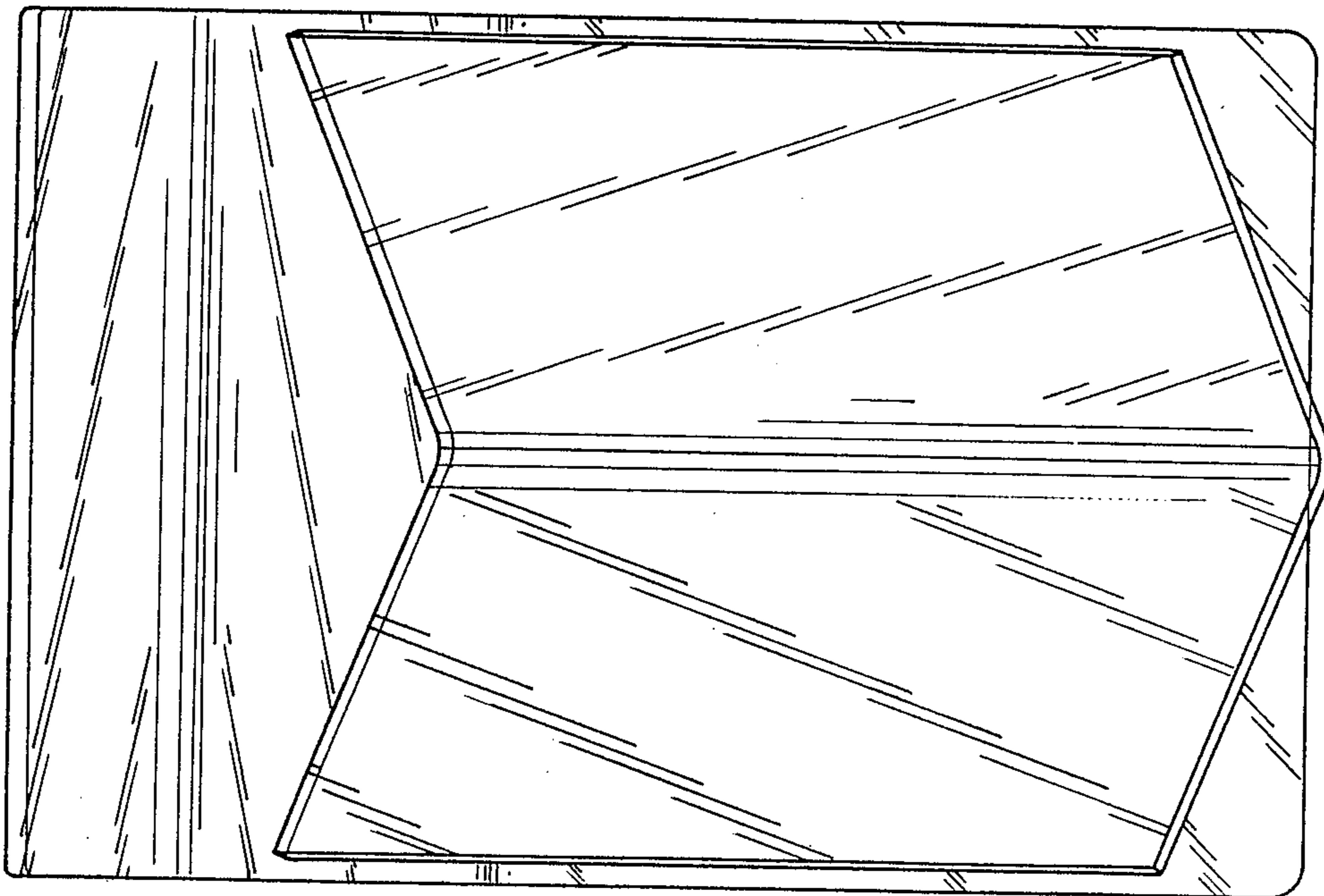


FIG. 3

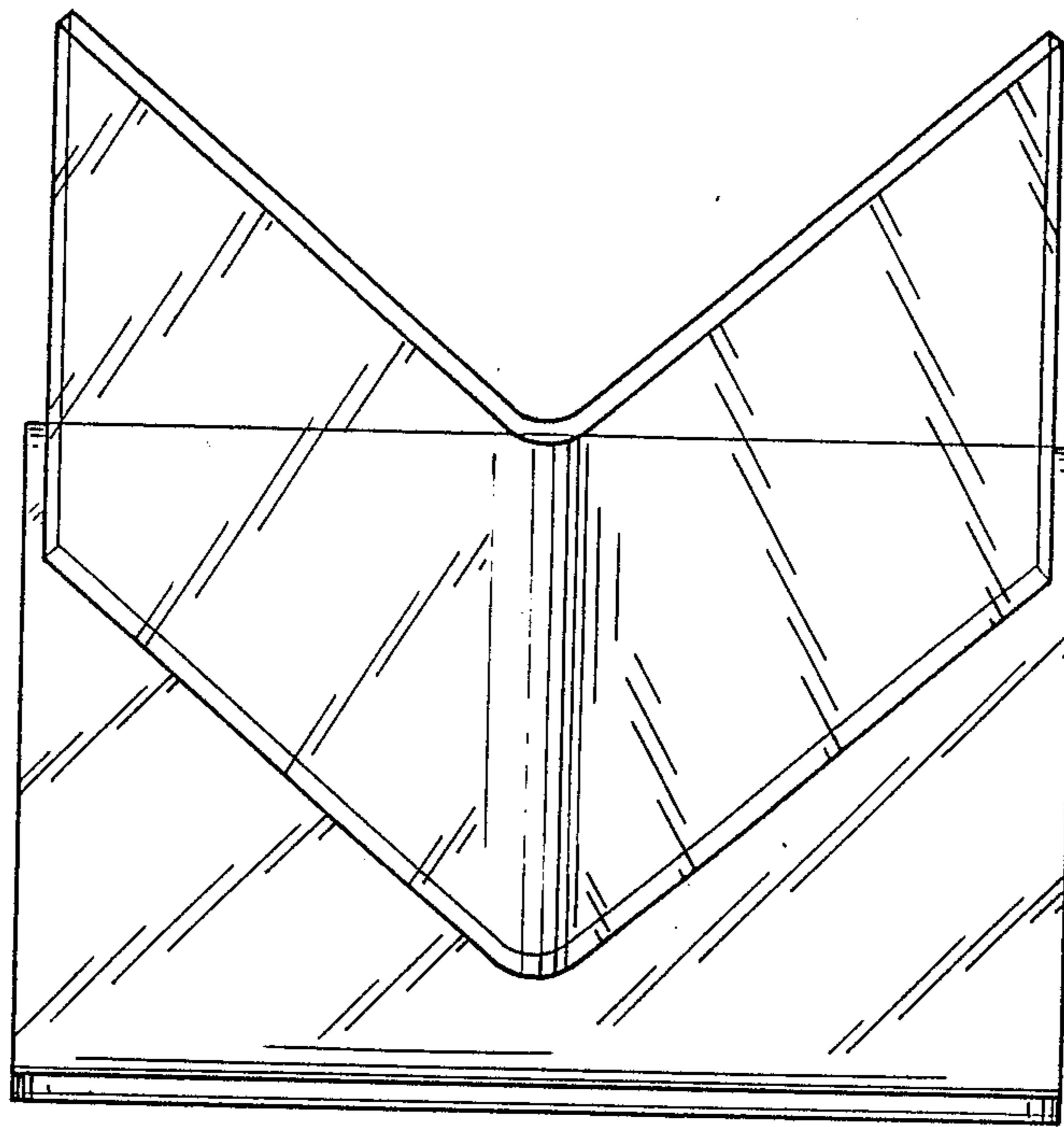


FIG. 5

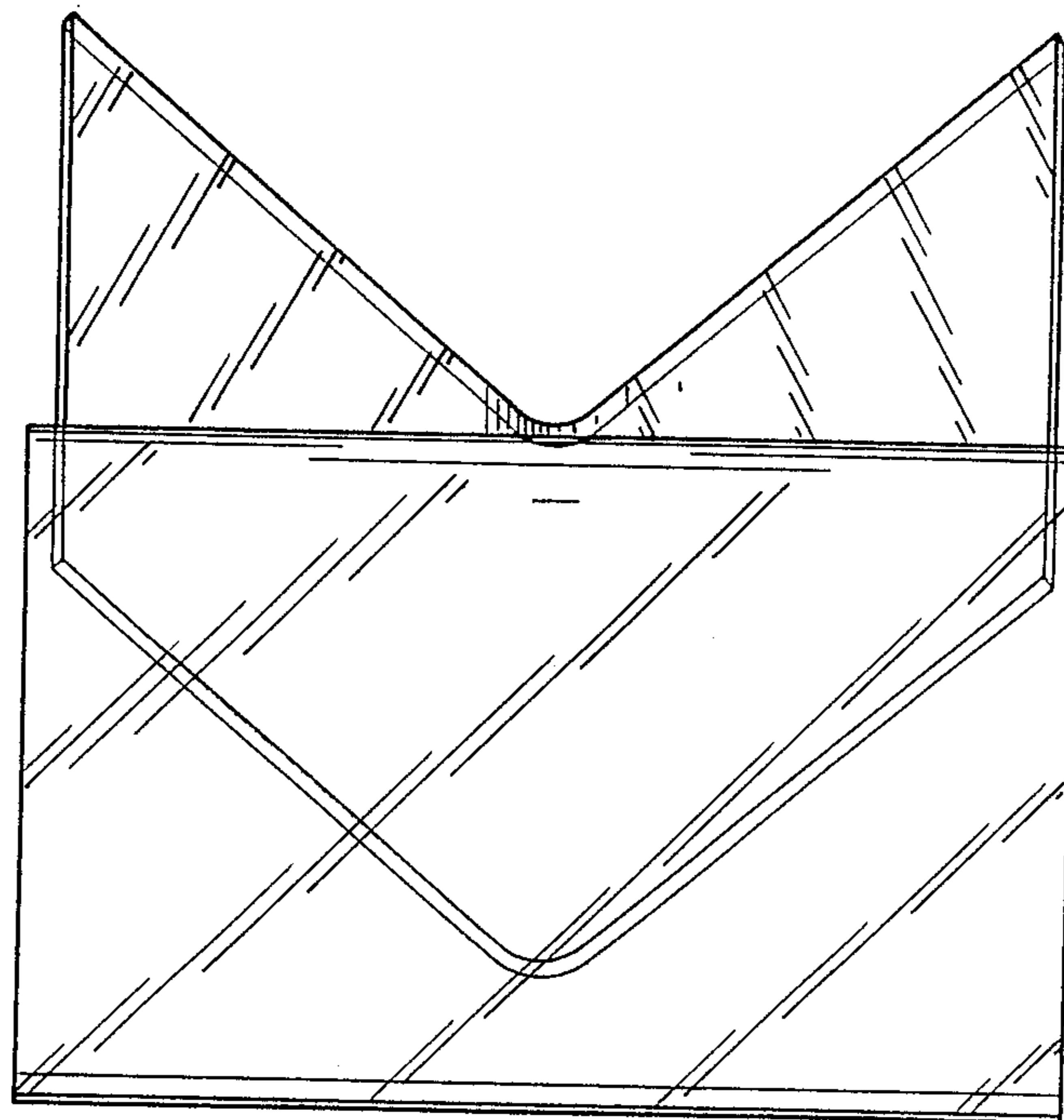


FIG. 6