

[54] **ROTATABLE GAME HOUSING**

[75] **Inventor: Kaori Yokoyama, Tokyo, Japan**

[73] **Assignee: Tomy Kogyo Co., Inc., Tokyo, Japan**

[\*\*] **Term: 14 Years**

[21] **Appl. No.: 176,416**

[22] **Filed: Apr. 1, 1988**

[30] **Foreign Application Priority Data**

Oct. 8, 1987 [JP] Japan ..... 62-41219  
[52] **U.S. Cl. .... D21/12**  
[58] **Field of Search ..... D21/12; 273/85 C, 109,**  
273/110, 115, 126 A; 446/170

[56] **References Cited**

**U.S. PATENT DOCUMENTS**

D. 262,803 1/1982 Tepper ..... D21/12  
D. 304,463 11/1989 Watanabe ..... D21/12  
4,557,701 12/1985 Giallombardo ..... 446/170

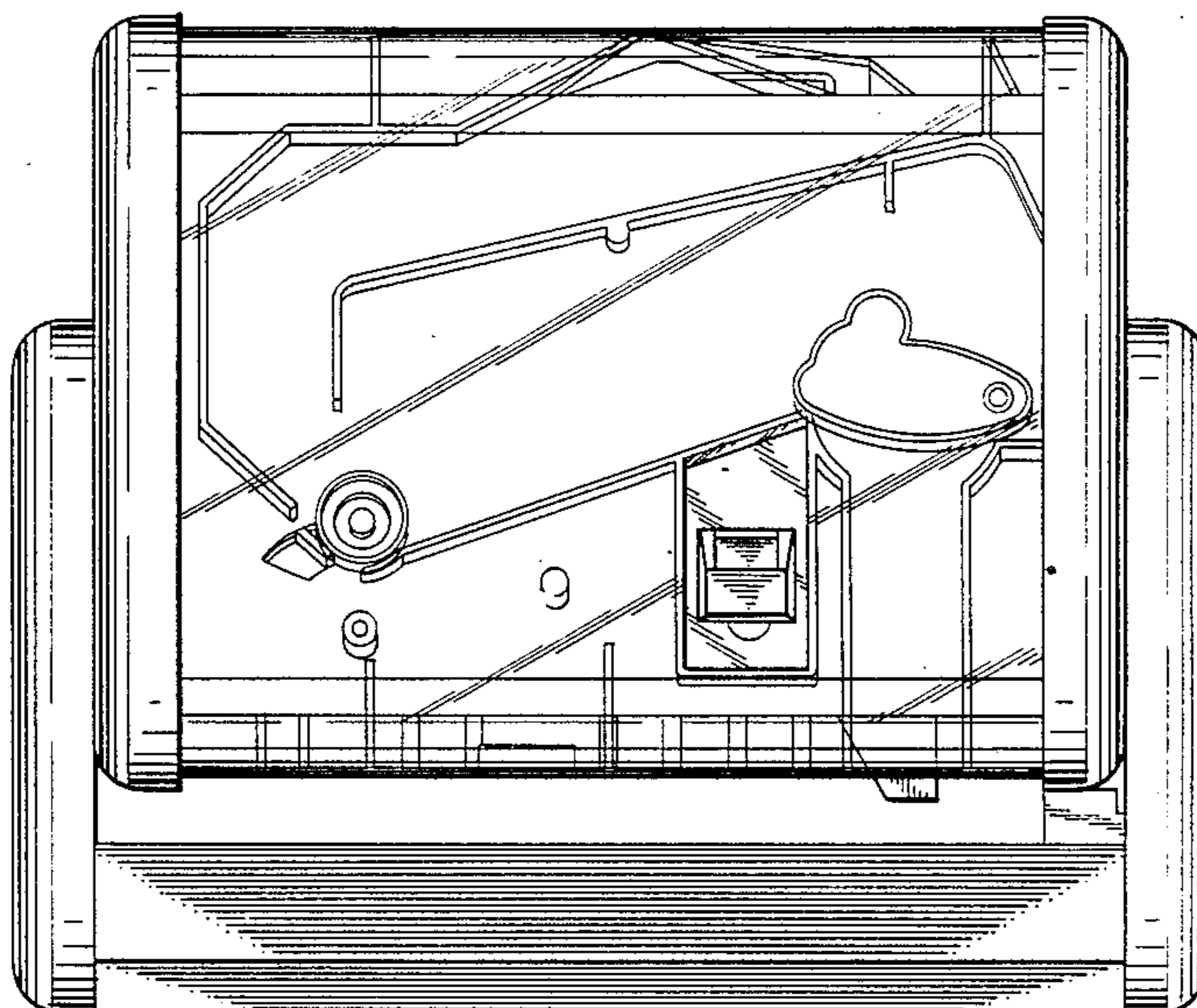
*Primary Examiner*—Melvin B. Feifer  
*Assistant Examiner*—Philip Hyder  
*Attorney, Agent, or Firm*—Staas & Halsey

[57] **CLAIM**

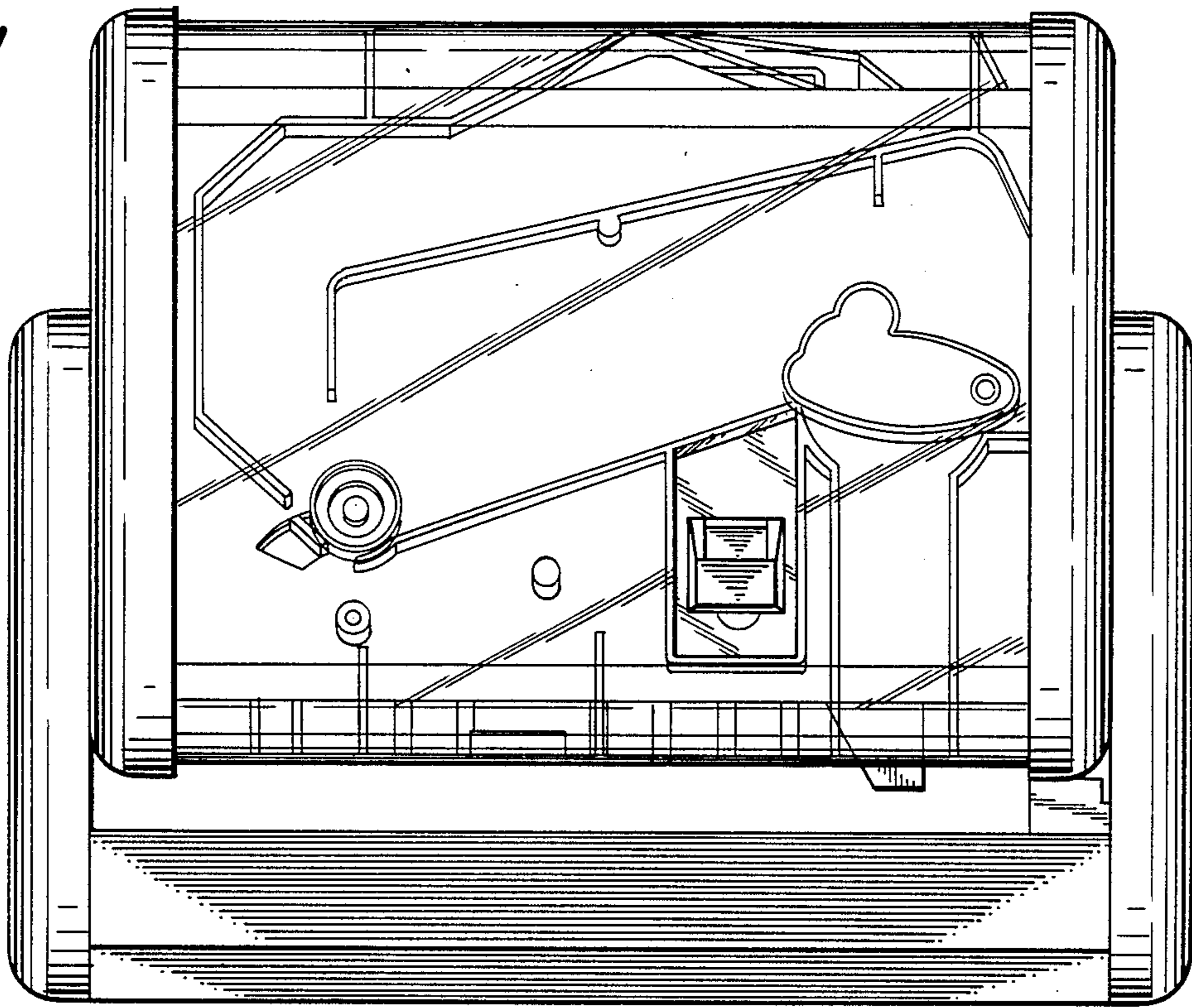
The ornamental design for a rotatable game housing, as shown.

**DESCRIPTION**

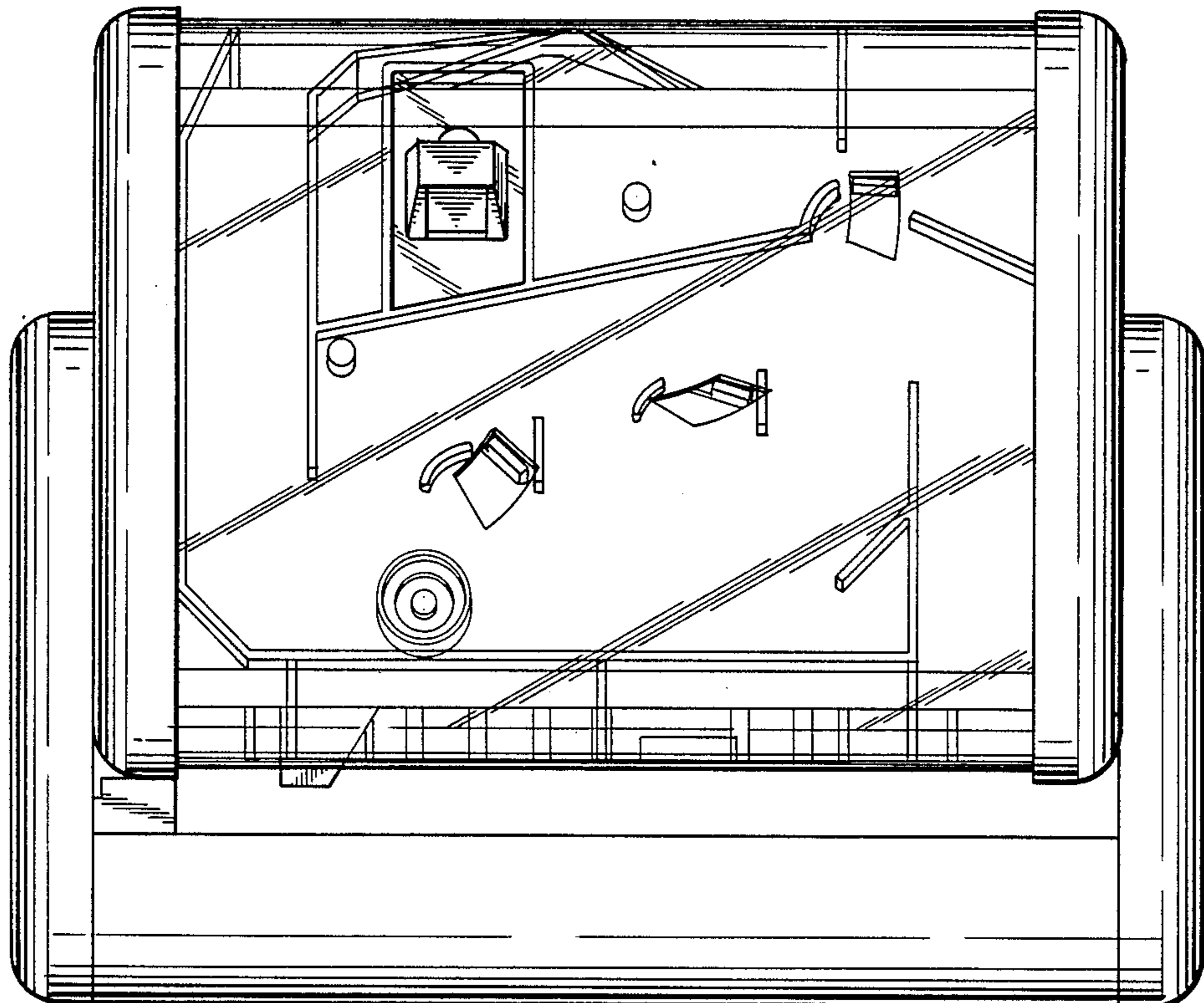
FIG. 1 is a front elevational view of a rotatable game housing showing my new design;  
FIG. 2 is rear elevational view thereof;  
FIG. 3 is a right-side elevational view thereof;  
FIG. 4 is left-side elevational view thereof;  
FIG. 5 is a top plan view thereof; and  
FIG. 6 is a bottom plan view.



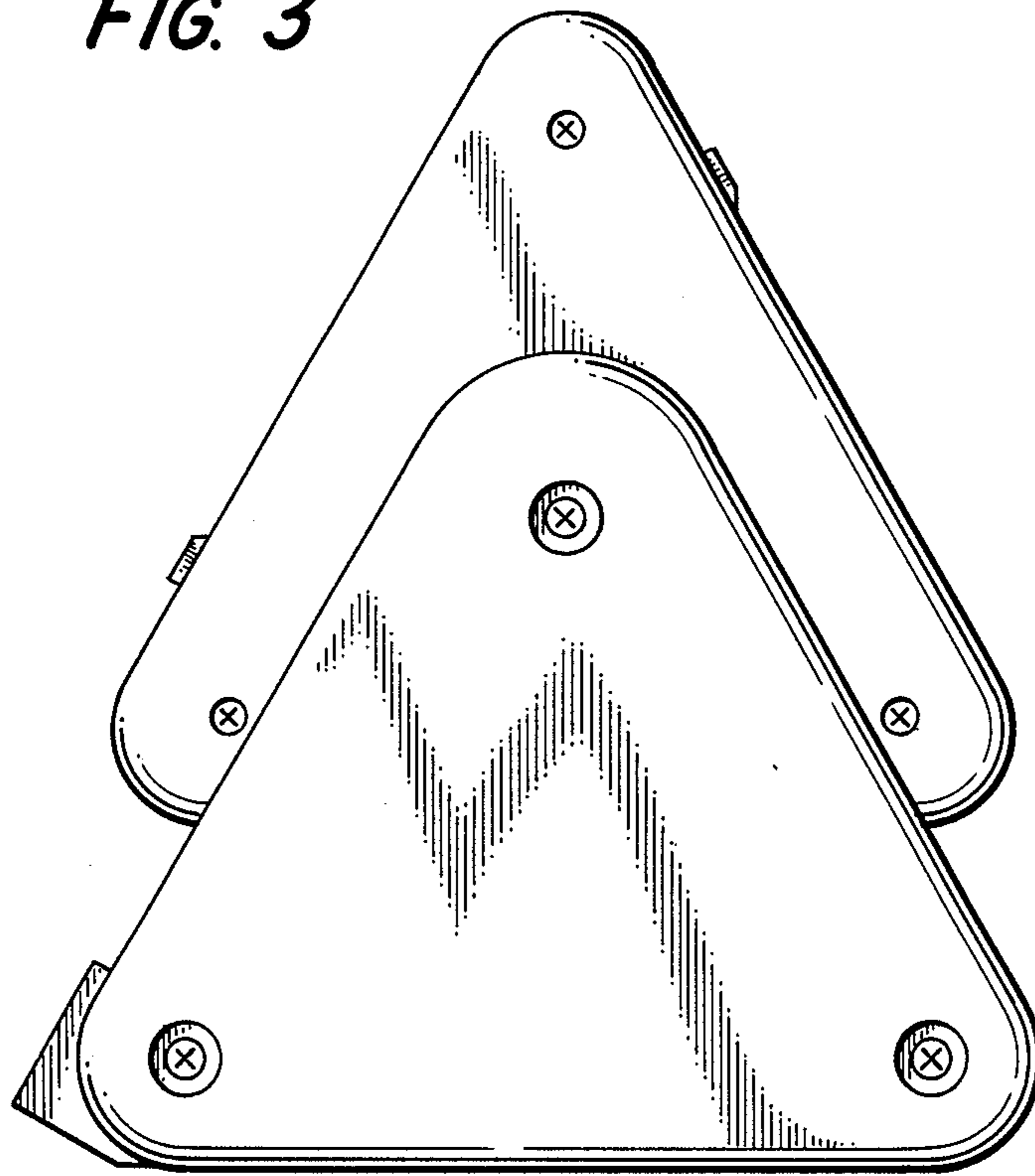
**FIG. 1**



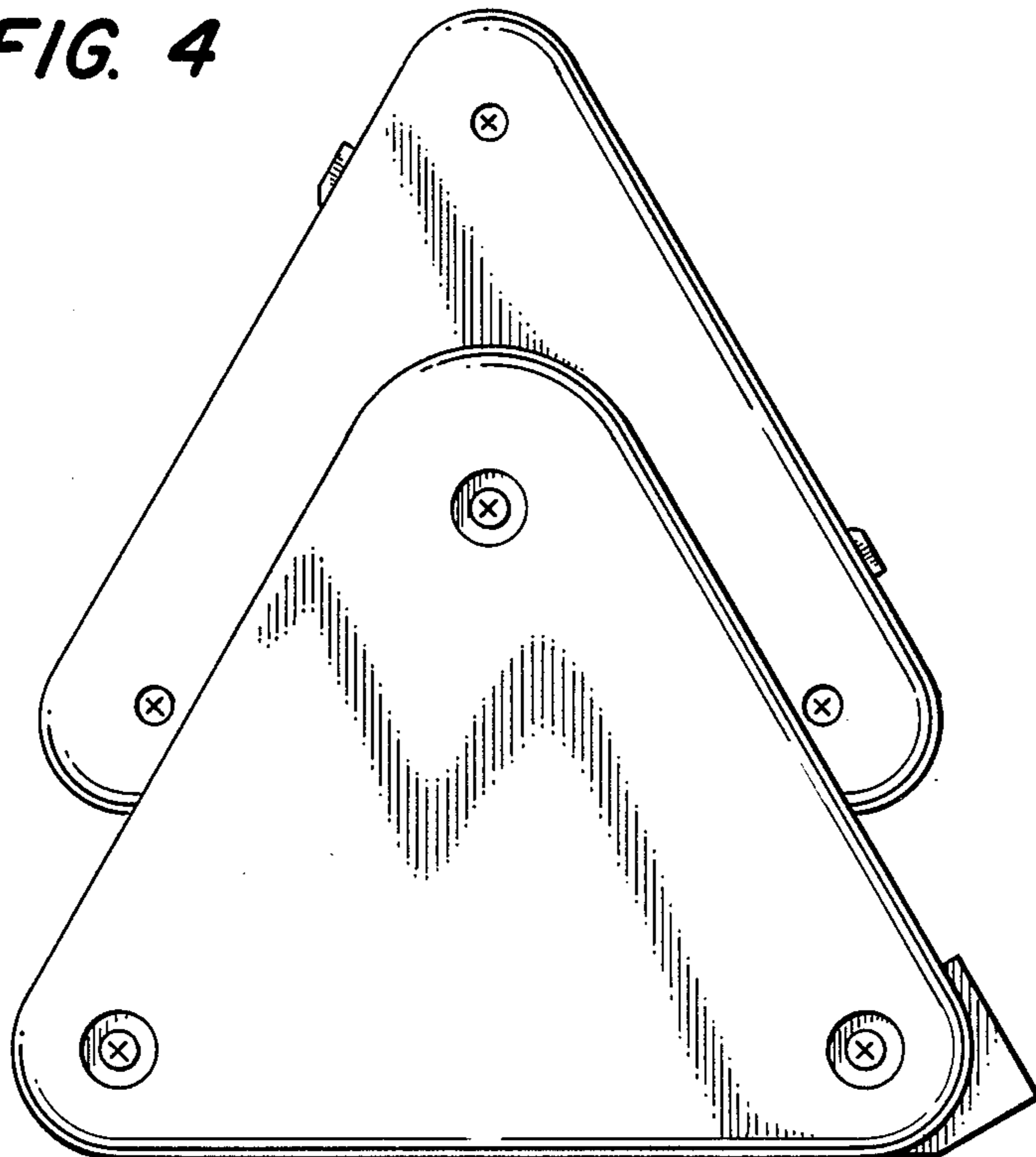
**FIG. 2**



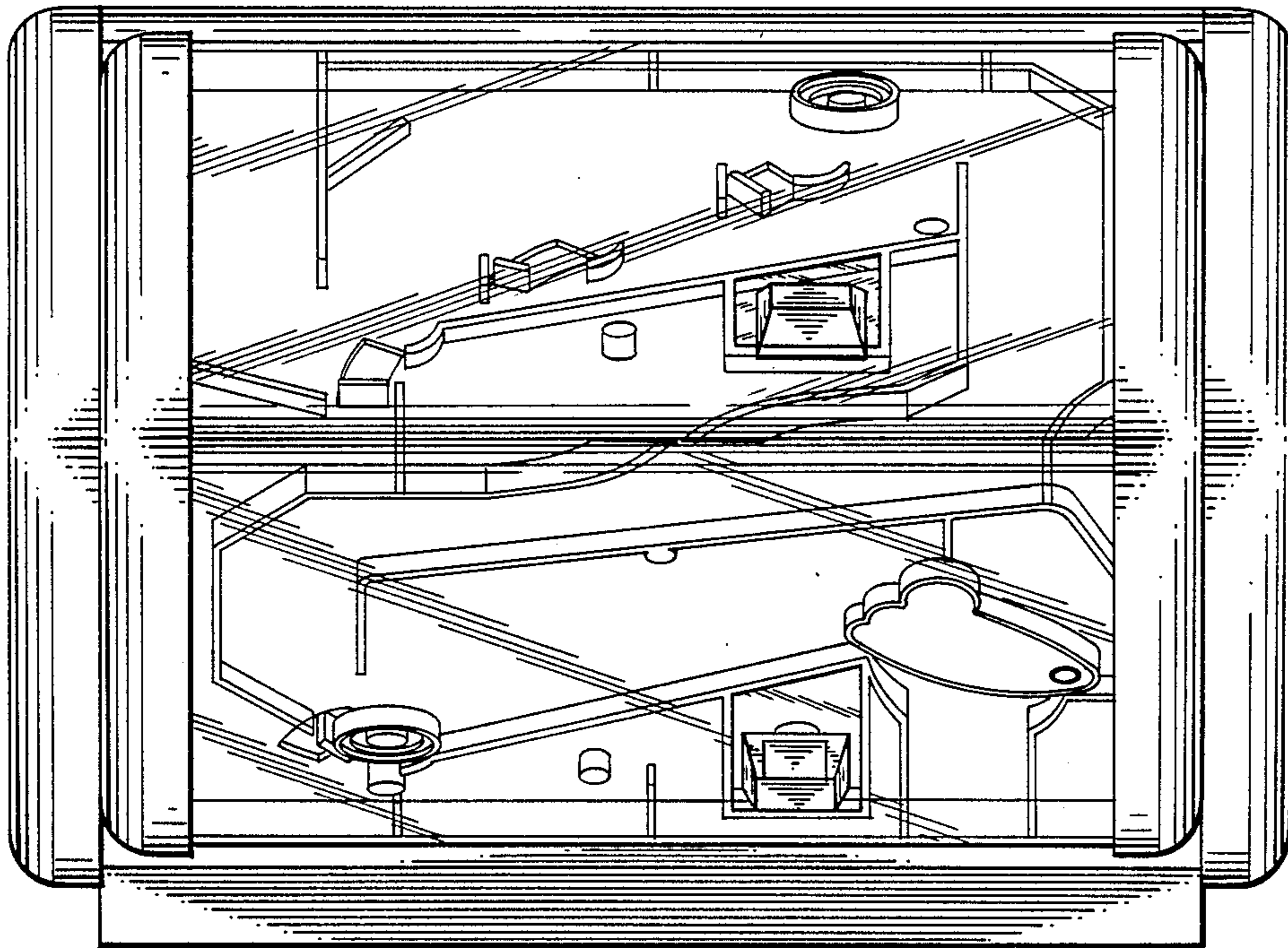
**FIG. 3**



**FIG. 4**



**FIG. 5**



**FIG. 6**

