

[54] WATER GAME

[75] Inventor: Makiko Watanabe, Tokyo, Japan

[73] Assignee: Tomy Kogyo Co., Inc., Tokyo, Japan

[\*\*] Term: 14 Years

[21] Appl. No.: 141,904

[22] Filed: Jan. 11, 1988

[30] Foreign Application Priority Data

Jul. 20, 1987 [JP] Japan ..... 62-29378

[52] U.S. Cl. .... D21/12

[58] Field of Search ..... D21/11, 12, 59, 104,  
D21/105; 273/1 L, 109, 110, 113, 153 R;  
446/168, 170, 171, 173

[56] References Cited

U.S. PATENT DOCUMENTS

D. 250,358 11/1978 Matsumoto ..... D21/59

D. 251,312 3/1979 Matsumoto ..... D21/59

D. 267,183 12/1982 Takahashi et al. .... D21/12

OTHER PUBLICATIONS

Tomy 1987 Toy Catalog, p. 42, items 7017, located center of page.

Primary Examiner—Louis S. Zarfes

Assistant Examiner—R. T. Seifert

Attorney, Agent, or Firm—Staas & Halsey

[57] CLAIM

The ornamental design for a water game, as shown and described.

DESCRIPTION

FIG. 1 is a front elevational view of a water game showing my new design;

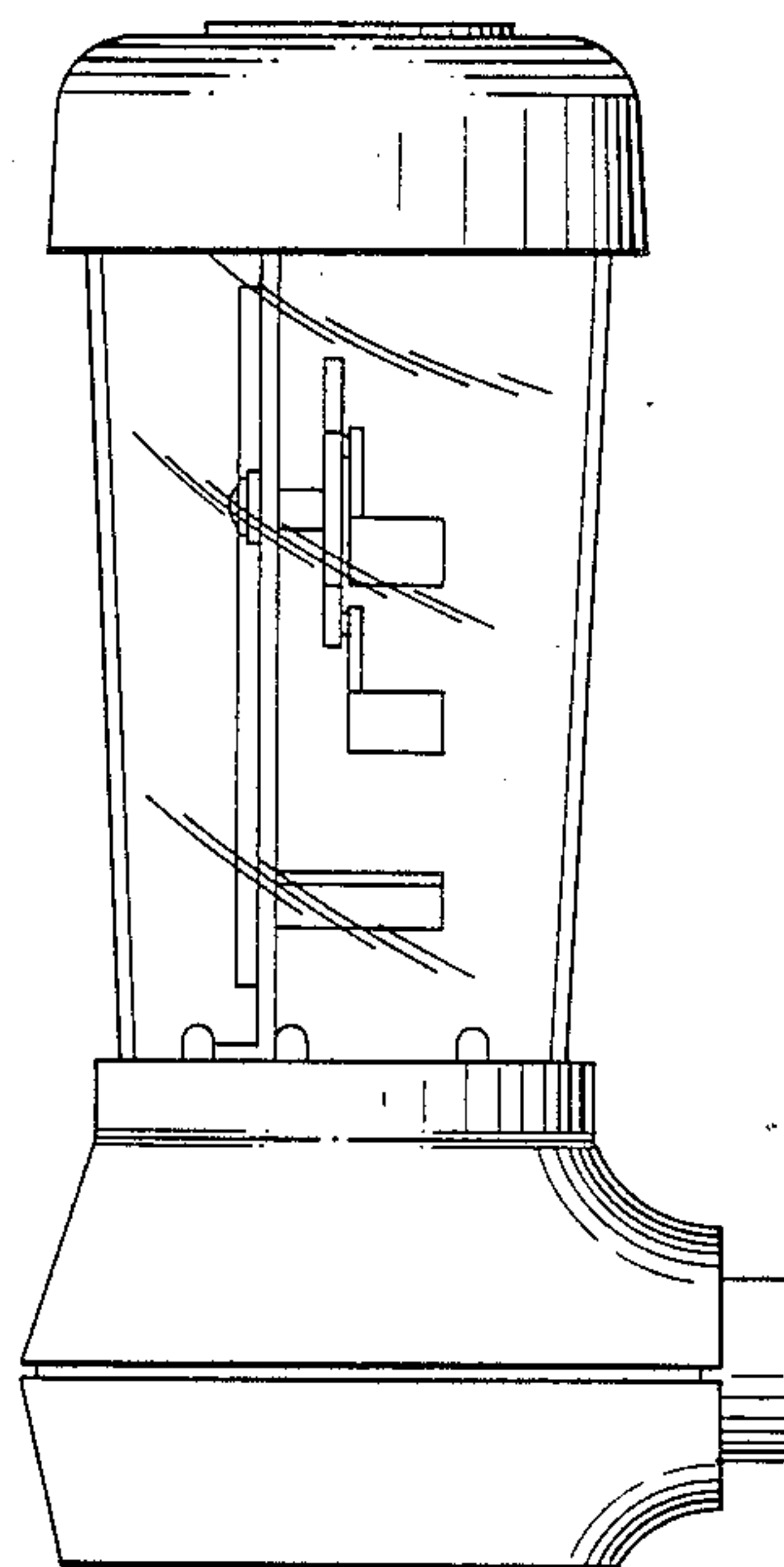
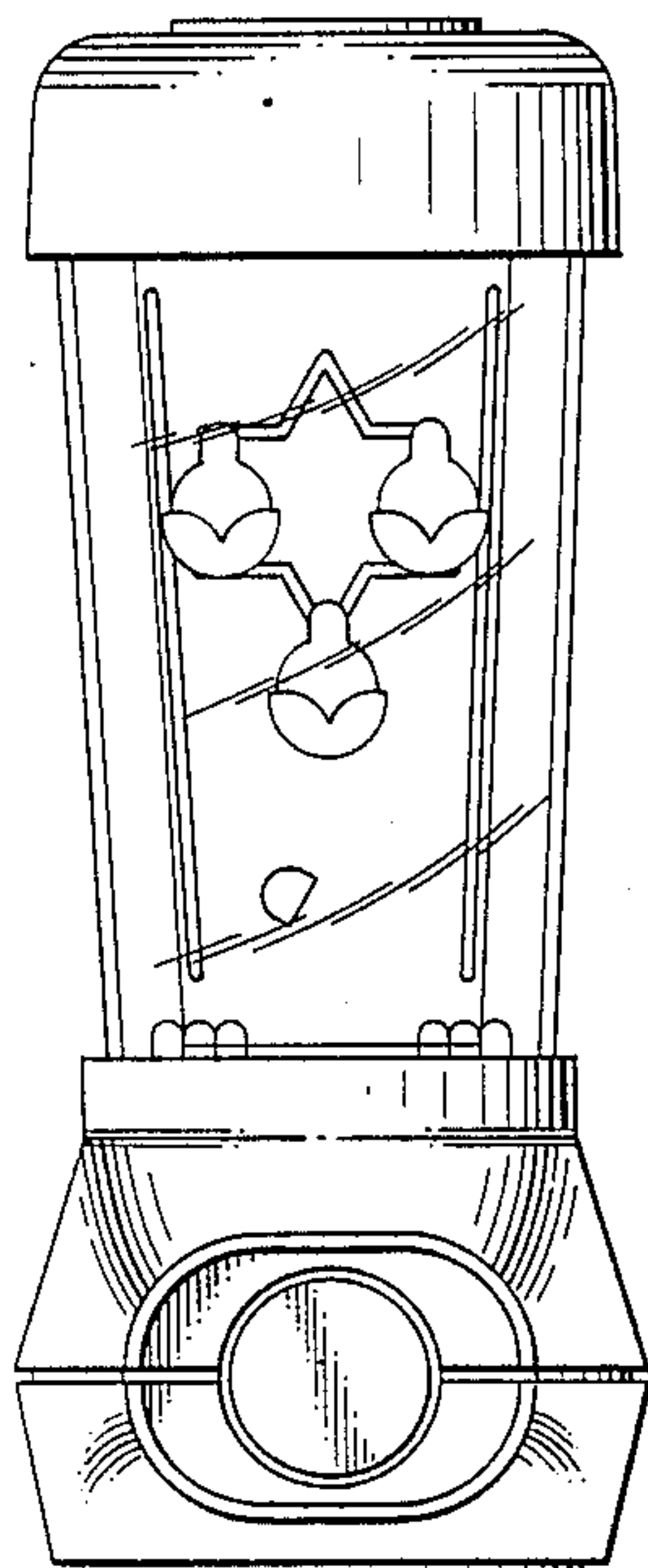
FIG. 2 is rear elevational view thereof;

FIG. 3 is a right-side elevational view thereof;

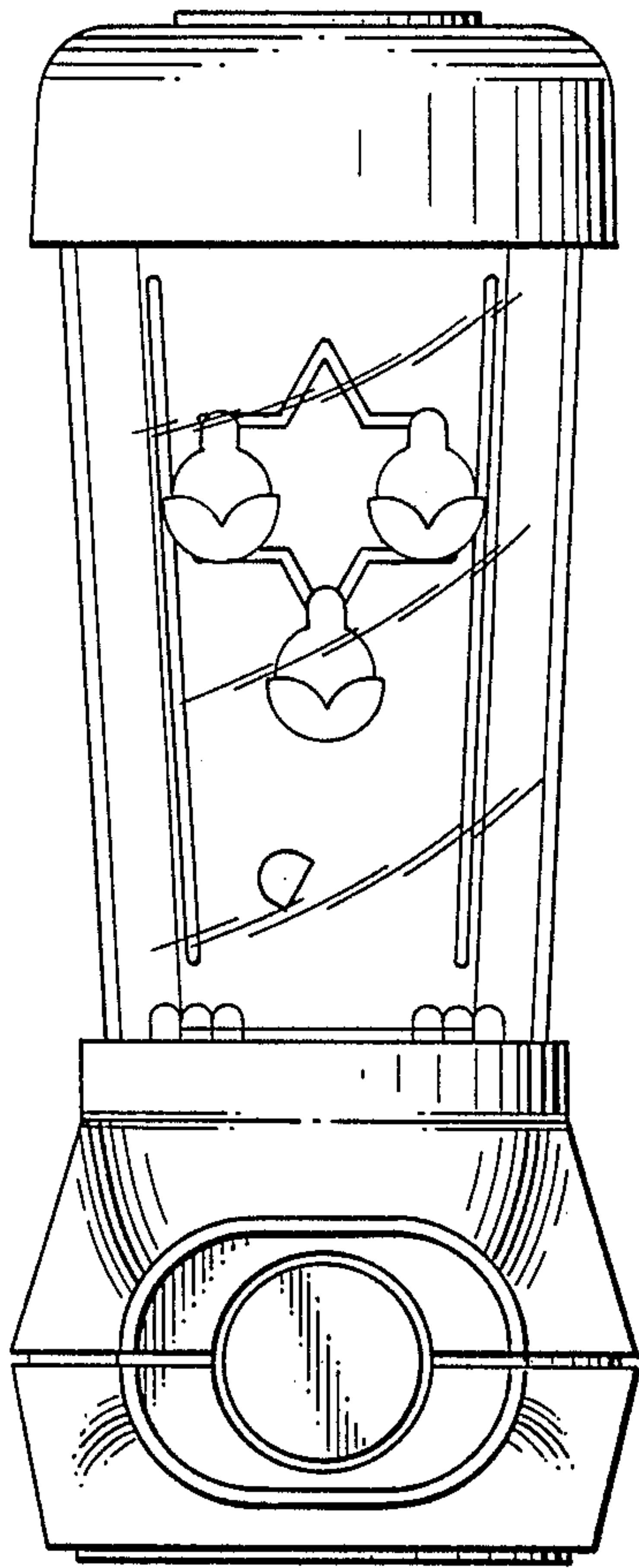
FIG. 4 is left-side elevational view thereof;

FIG. 5 is a top plan view thereof; and

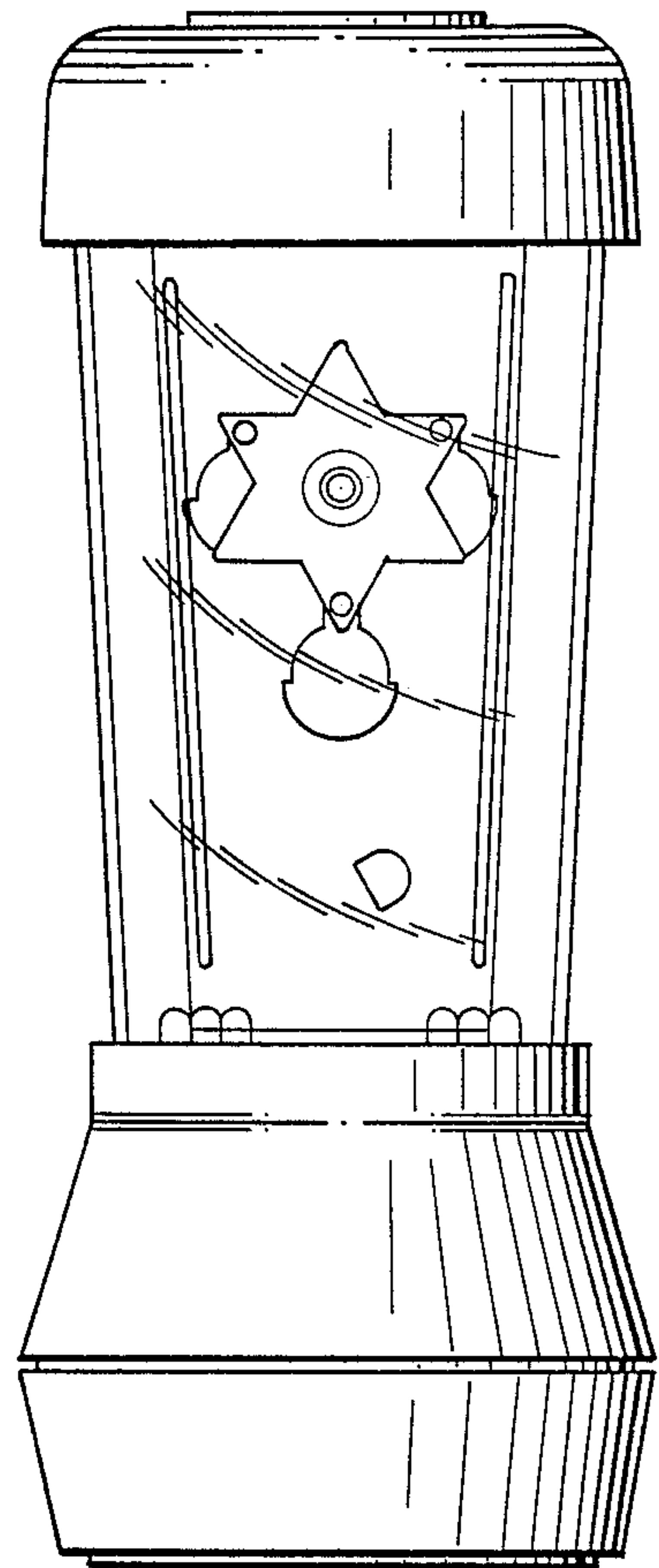
FIG. 6 is a bottom plan view.



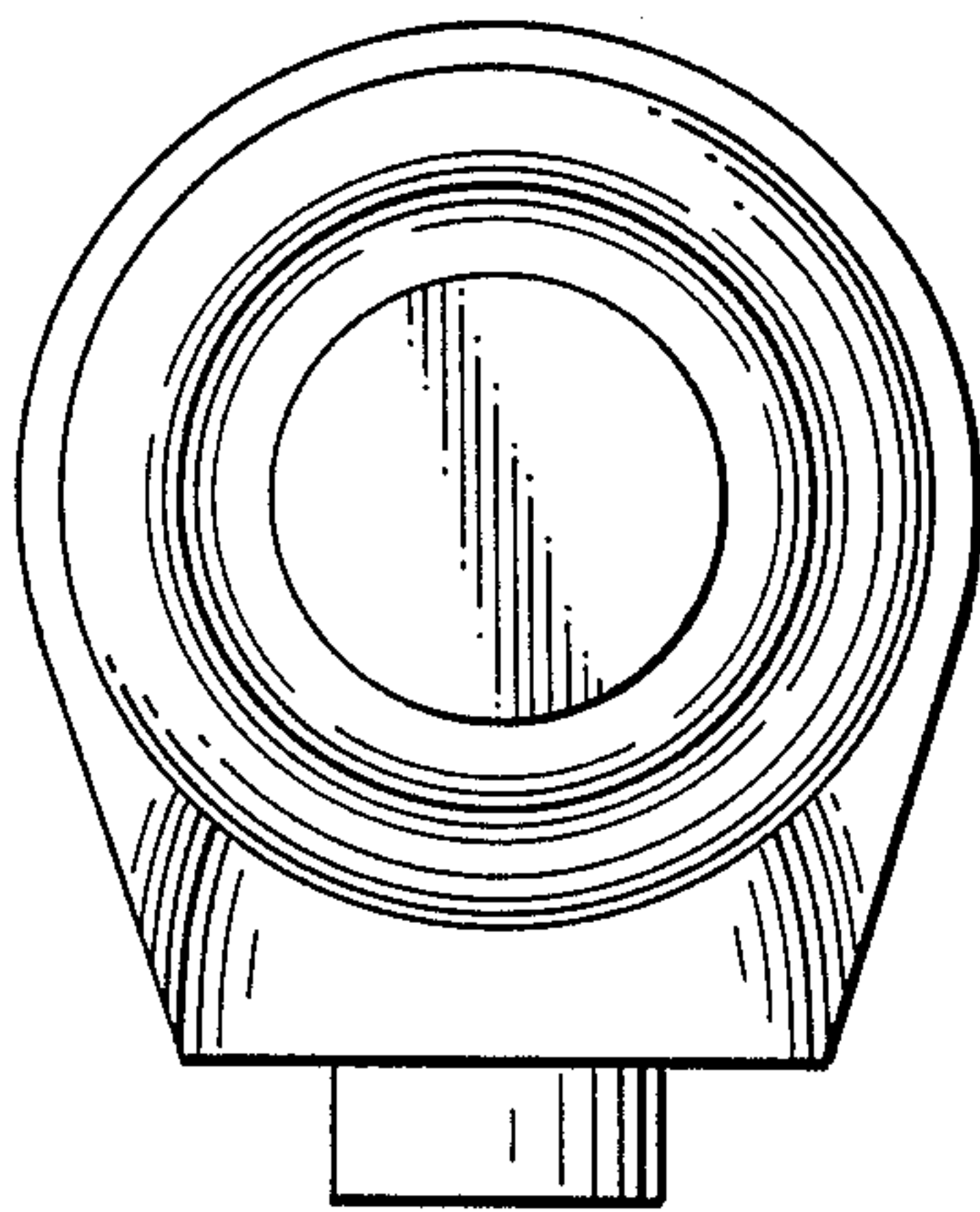
**FIG. 1**



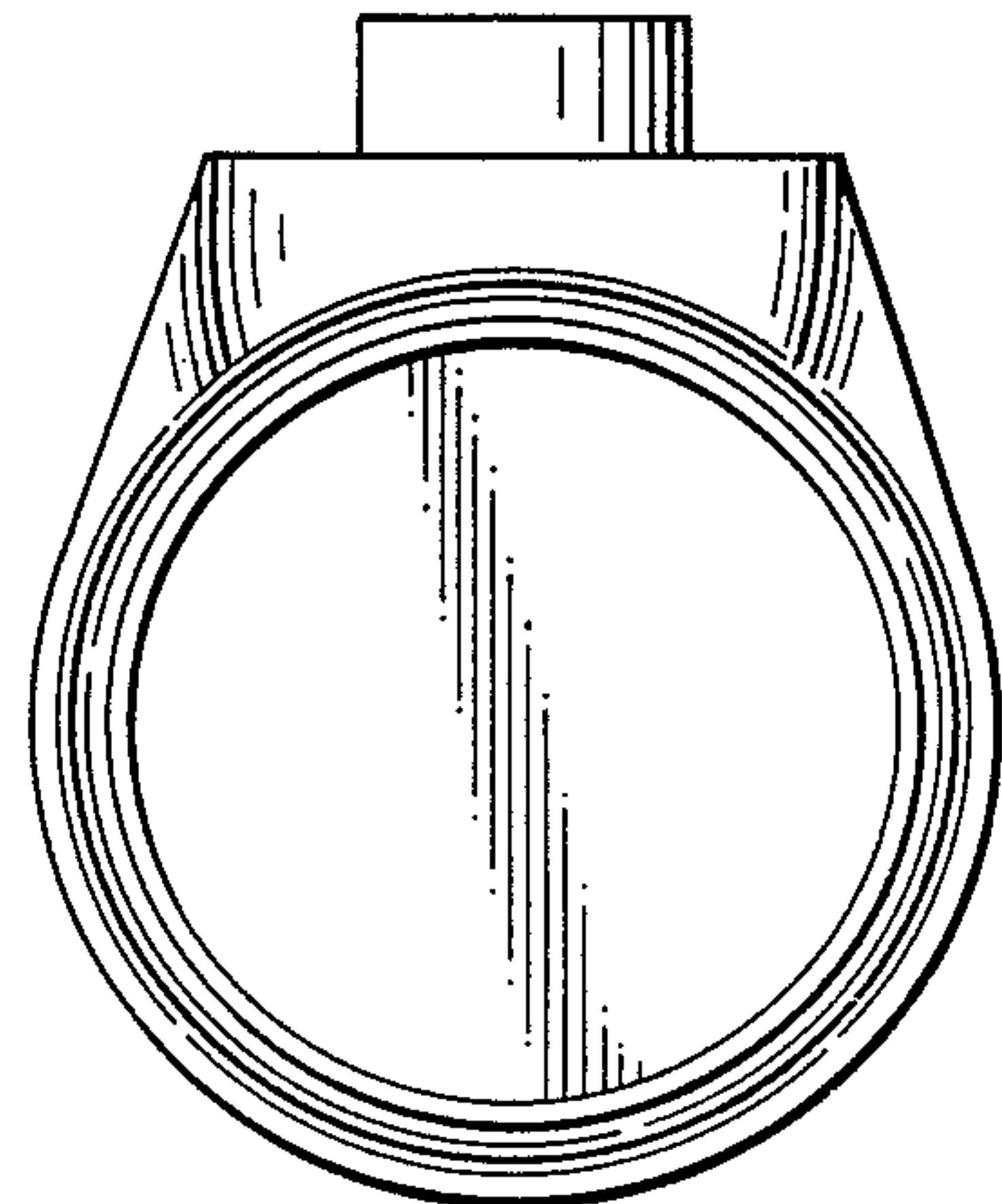
**FIG. 2**



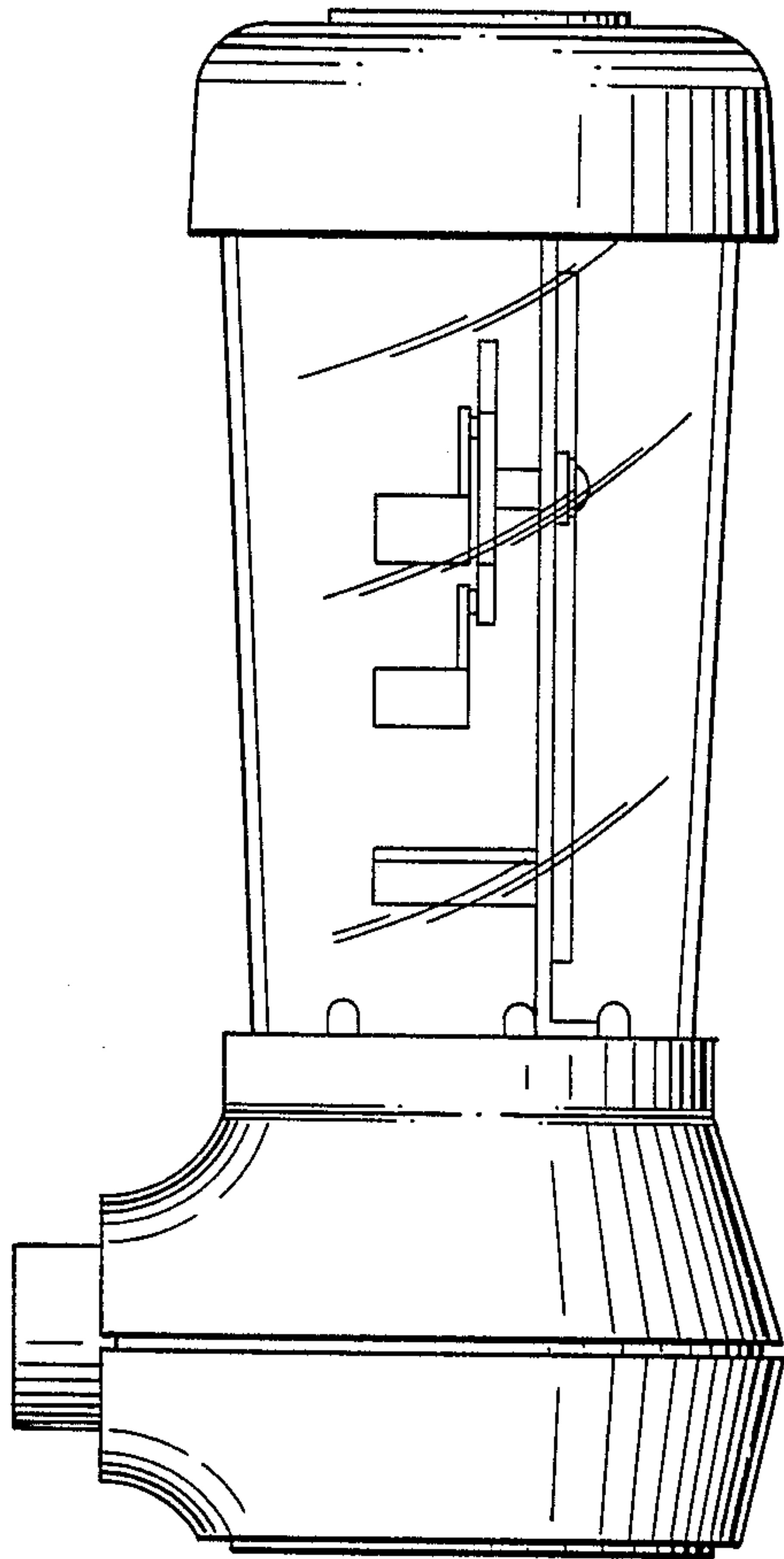
**FIG. 5**



**FIG. 6**



*FIG. 3*



*FIG. 4*

