

[54] TYPEWRITER HOUSING WITH COVER

[75] Inventor: Mario Bellini, Milan, Italy

[73] Assignee: Ing. C. Olivetti & C., S.p.A., Ivrea, Italy

[\*\*] Term: 14 Years

[21] Appl. No.: 71,052

[22] Filed: Jul. 8, 1987

[30] Foreign Application Priority Data

Feb. 18, 1987 [IT] Italy ..... 53033-B/87

[52] U.S. Cl. .... D18/1; D18/2

[58] Field of Search ..... D18/1, 2, 11; 312/208; 400/109-111, 472, 485, 486, 690.3, 690.4, 691-694

[56] References Cited

U.S. PATENT DOCUMENTS

- D. 224,942 10/1972 Funato et al. .... D18/1
- D. 259,121 5/1981 Bellini ..... D18/1 X
- D. 278,247 4/1985 Miyamoto et al. .... D18/1
- D. 278,340 4/1985 Enomoto ..... D14/100
- D. 278,350 4/1985 Bellini ..... D18/1

- D. 281,786 12/1985 Bellini ..... D18/1
- D. 282,080 1/1986 Bellini ..... D18/1
- D. 289,902 5/1987 Benson ..... D18/1
- 4,693,525 9/1987 Shinoto ..... 312/208
- 4,725,157 2/1988 Nakai et al. .... 400/693 X

FOREIGN PATENT DOCUMENTS

2143117 2/1985 United Kingdom ..... 400/691

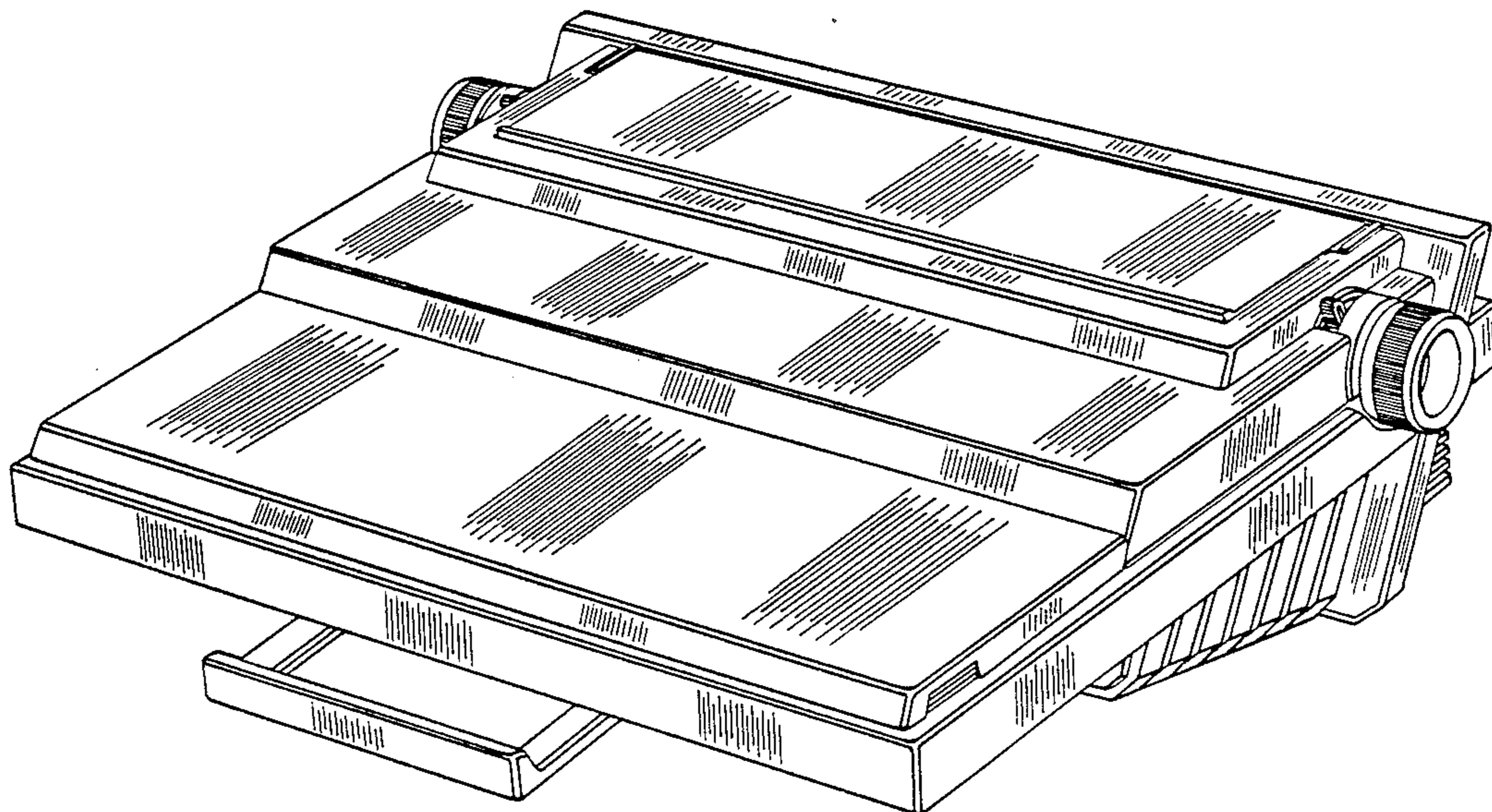
Primary Examiner—Nelson C. Holtje  
Assistant Examiner—Caron D. Veynar  
Attorney, Agent, or Firm—Banner, Birch, McKie & Beckett

[57] CLAIM

The ornamental design for a typewriter housing with cover, as shown and described.

DESCRIPTION

FIG. 1 is a front and right perspective view of a typewriter housing with cover showing my new design; FIG. 2 is a rear and left perspective view thereof; FIG. 3 is a left side elevational view thereof; FIG. 4 is a bottom and right perspective view thereof; FIG. 5 is a front and right perspective view thereof, with the carrying handle in the retracted position; and FIG. 6 is a bottom plan view thereof.



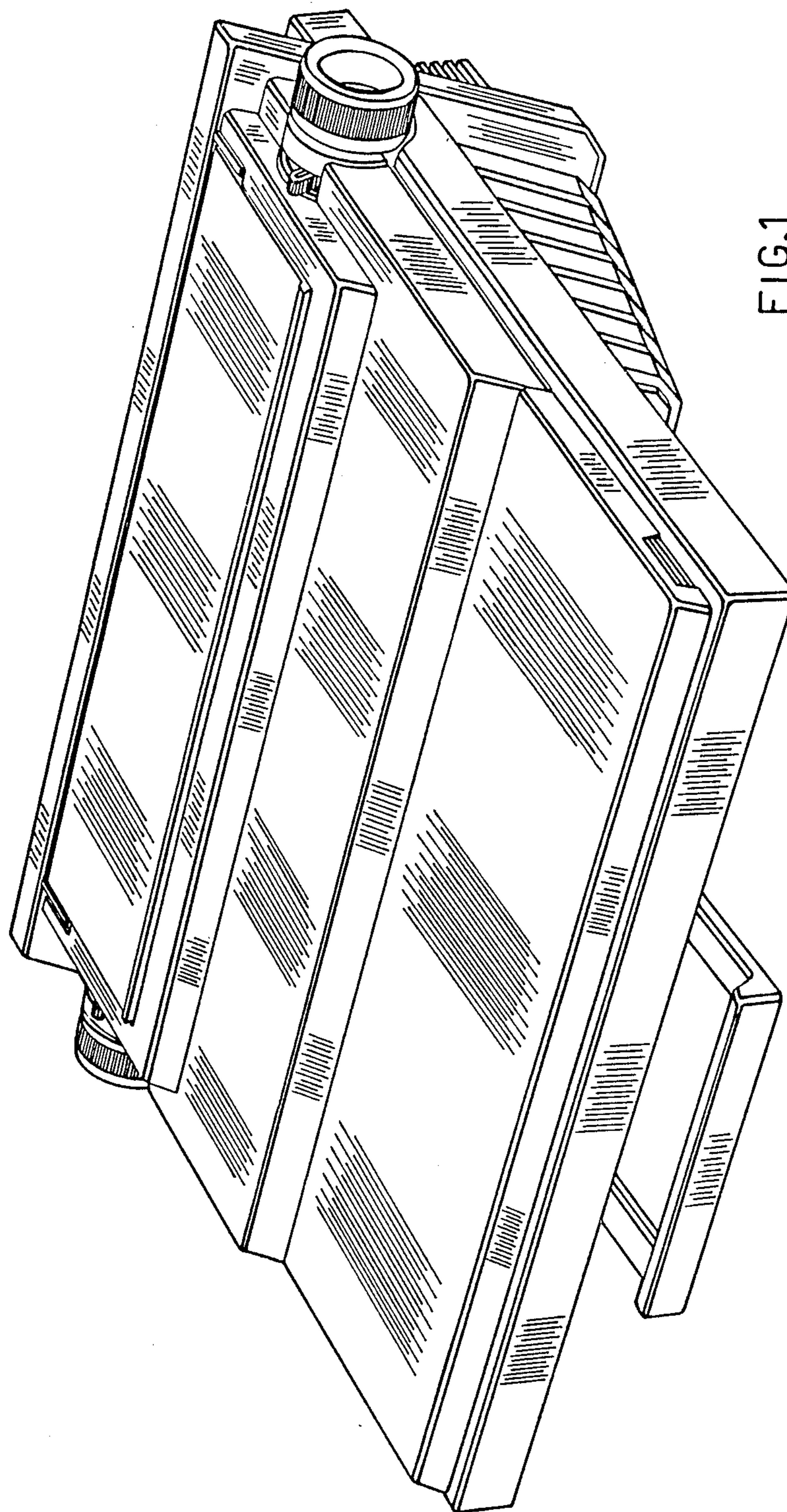


FIG.1

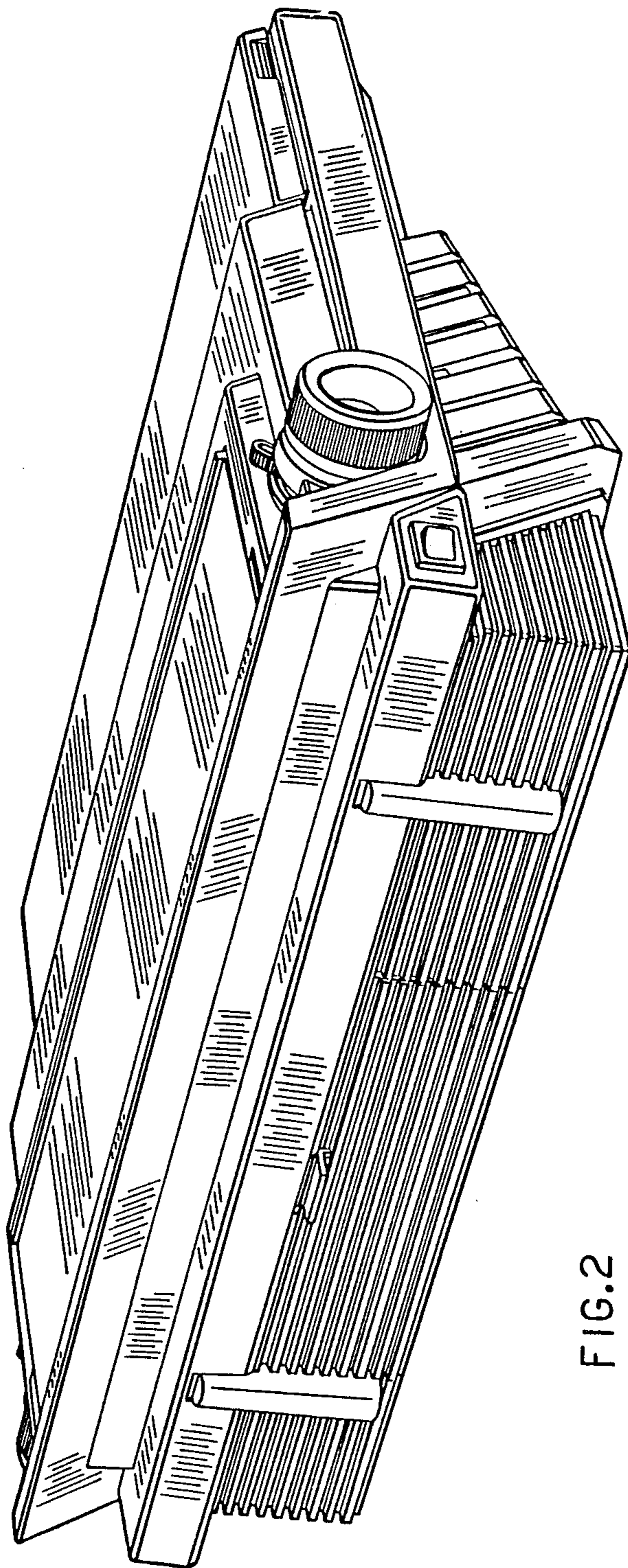


FIG. 2

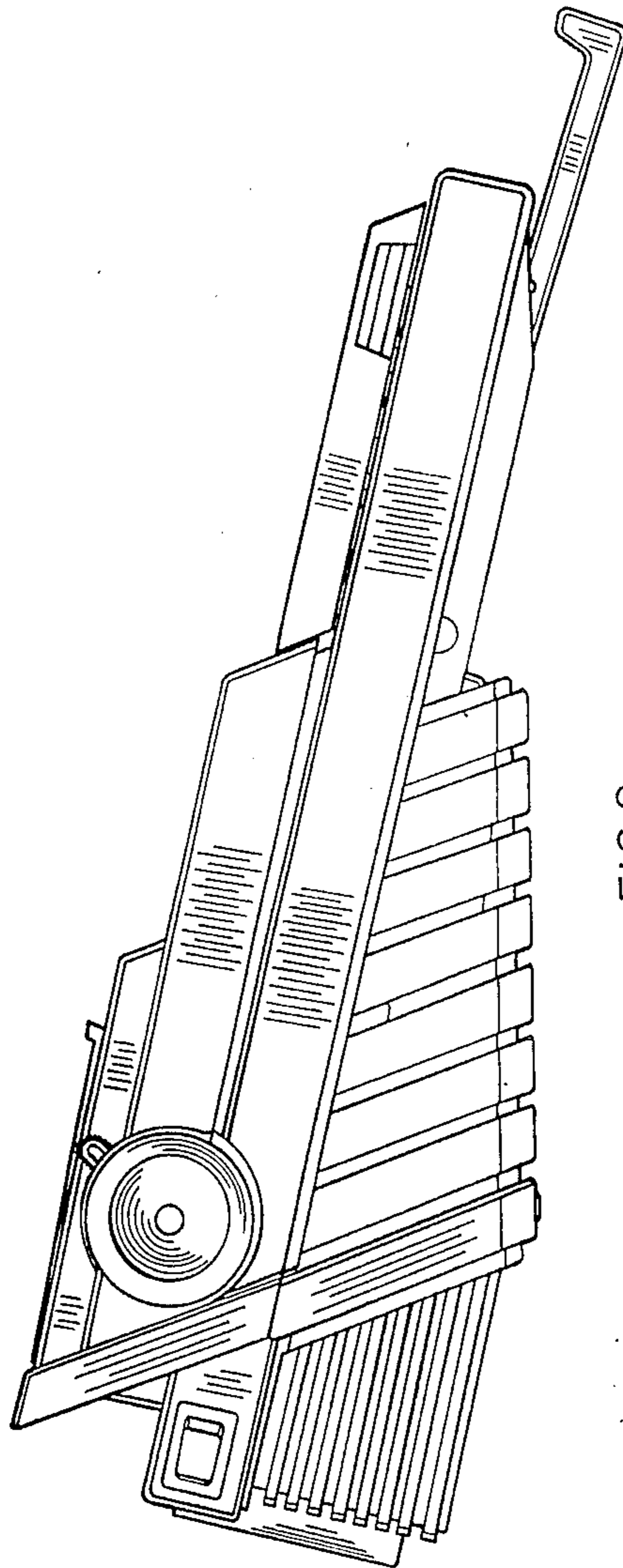


FIG. 3

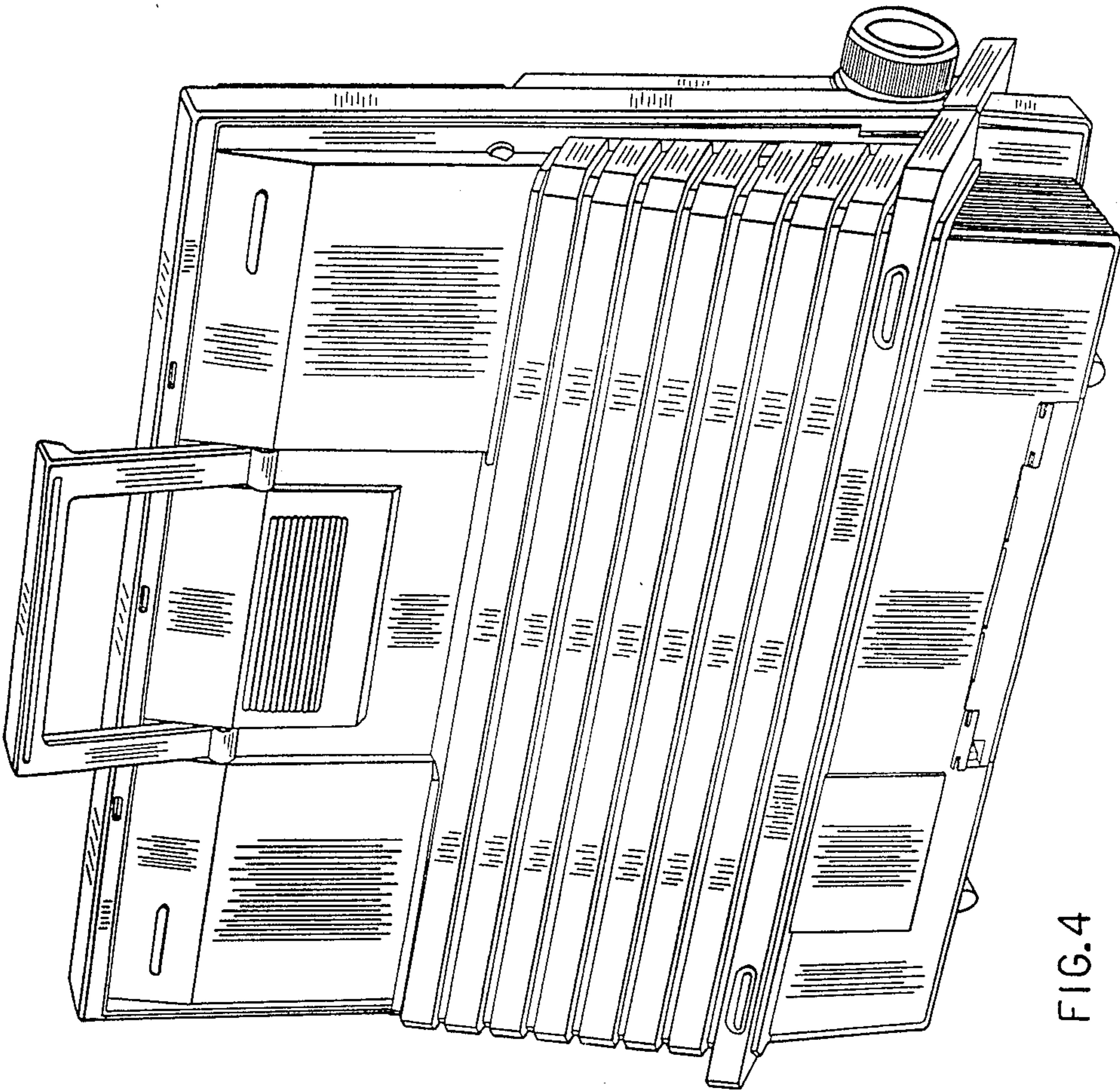


FIG.4

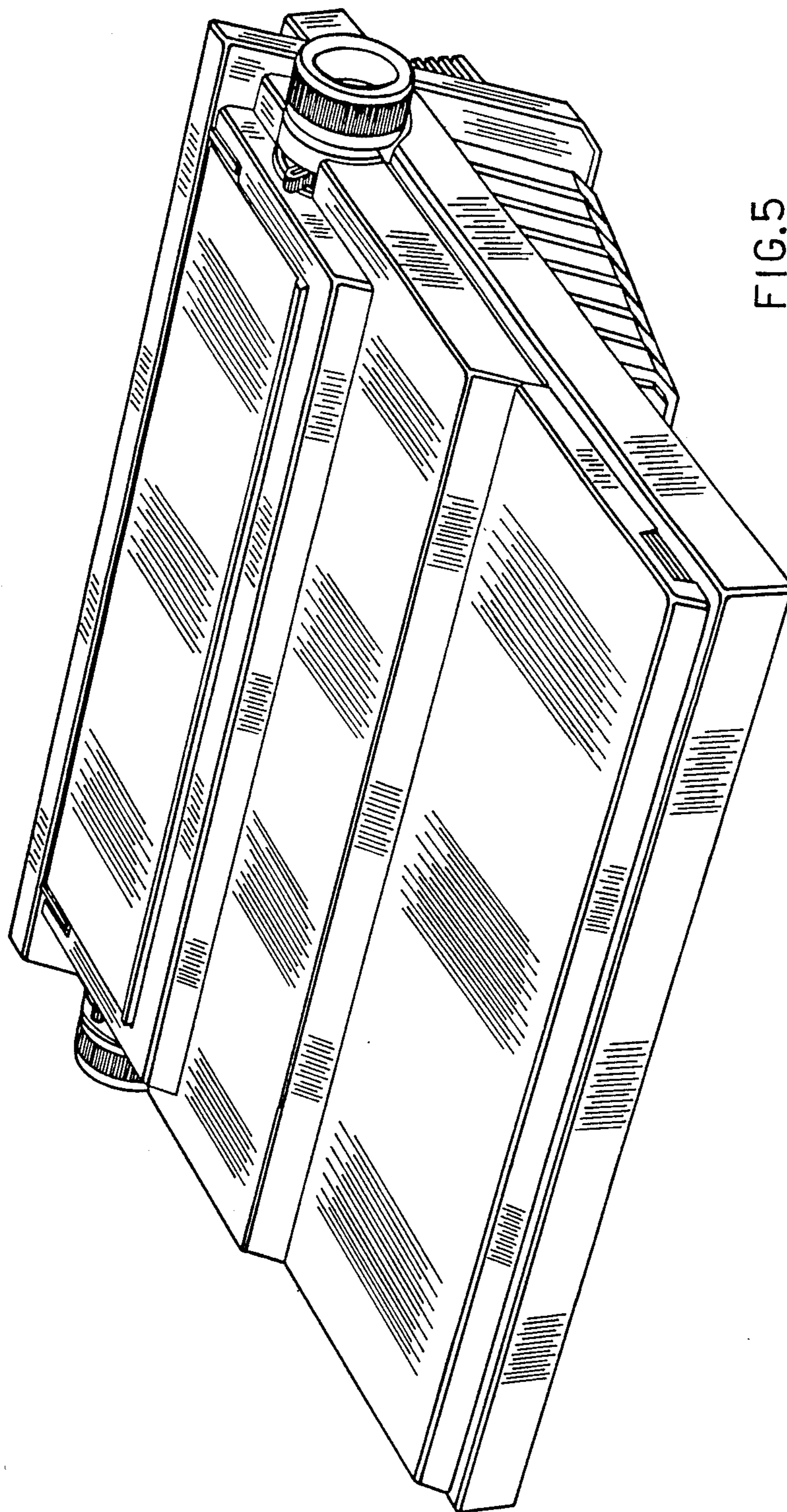


FIG. 5

FIG. 6

