

[54] **PORTABLE ELECTRONIC TYPEWRITER**
[75] **Inventor: Mario Bellini, Milan, Italy**
[73] **Assignee: Ing. C. Olivetti & C., S.p.A., Ivrea, Italy**
[**] **Term: 14 Years**
[21] **Appl. No.: 71,050**
[22] **Filed: Jul. 8, 1987**
[30] **Foreign Application Priority Data**
Feb. 18, 1987 [IT] Italy 53033-B/87
[52] **U.S. Cl. D18/1**
[58] **Field of Search D18/1, 2, 11;**
235/145 R, 145 A; 400/109-111, 472, 485, 486,
690.3, 690.4, 691-694

[56] **References Cited**
U.S. PATENT DOCUMENTS
D. 224,942 10/1972 Funato et al. D18/1
D. 259,121 5/1981 Bellini D18/1 X
D. 278,247 4/1985 Miyamoto et al. D18/1
D. 278,340 4/1985 Enomoto D14/100
D. 278,350 4/1985 Bellini D18/1
D. 281,786 12/1985 Bellini D18/1
D. 282,080 1/1986 Bellini D18/1
D. 289,902 5/1987 Benson D18/1

4,693,525 9/1987 Shinoto 312/208
4,725,157 2/1988 Nakai et al. 400/693 X

FOREIGN PATENT DOCUMENTS

0003976 1/1987 Japan 400/690.4
2143117 2/1985 United Kingdom 400/691

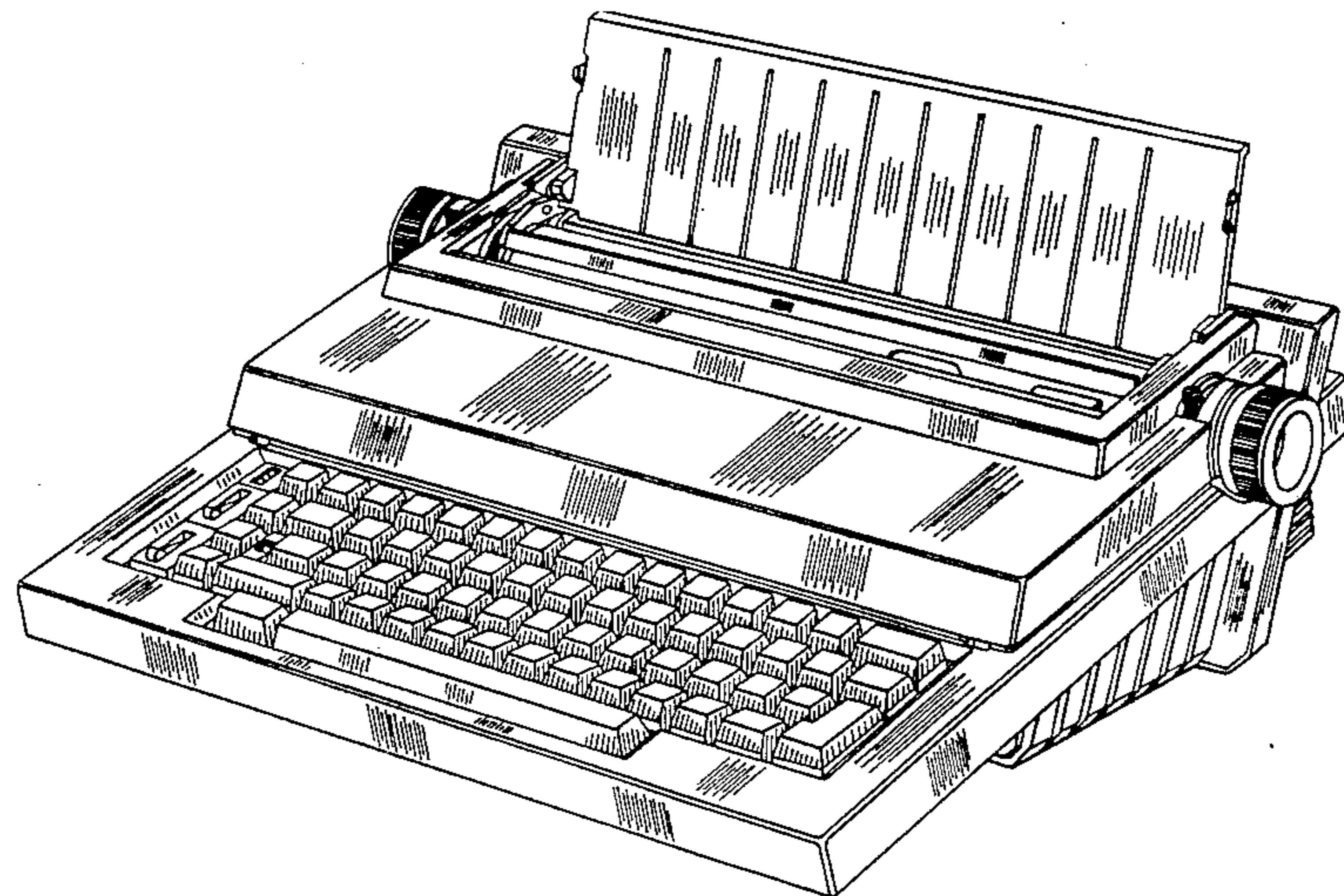
Primary Examiner—Nelson C. Holtje
Assistant Examiner—Caron D. Veynar
Attorney, Agent, or Firm—Banner, Birch, McKie & Beckett

[57] **CLAIM**

The ornamental design for a portable electronic typewriter, as shown and described.

DESCRIPTION

FIG. 1 is a front and right perspective view of a portable electronic typewriter showing my new design; FIG. 2 is a rear and left perspective view thereof; FIG. 3 is a left side elevational view thereof; FIG. 4 is a top plan view thereof; FIG. 5 is a bottom plan view thereof; FIG. 6 is a front and right perspective view thereof, with carrying handle extended; FIG. 7 is a left side elevational view thereof; FIG. 8 is a top plan view thereof; and FIG. 9 is bottom plan view thereof.



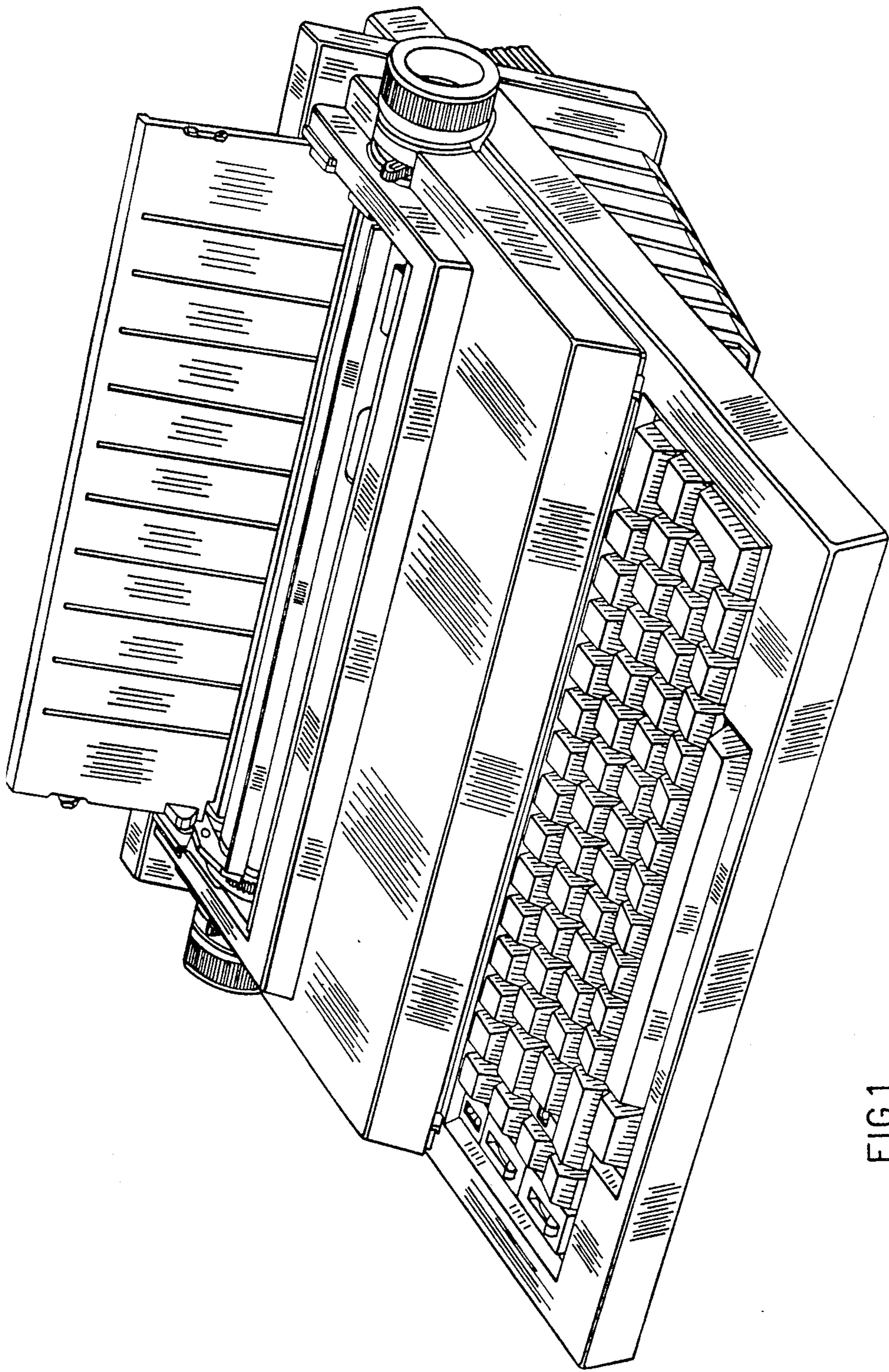


FIG.1

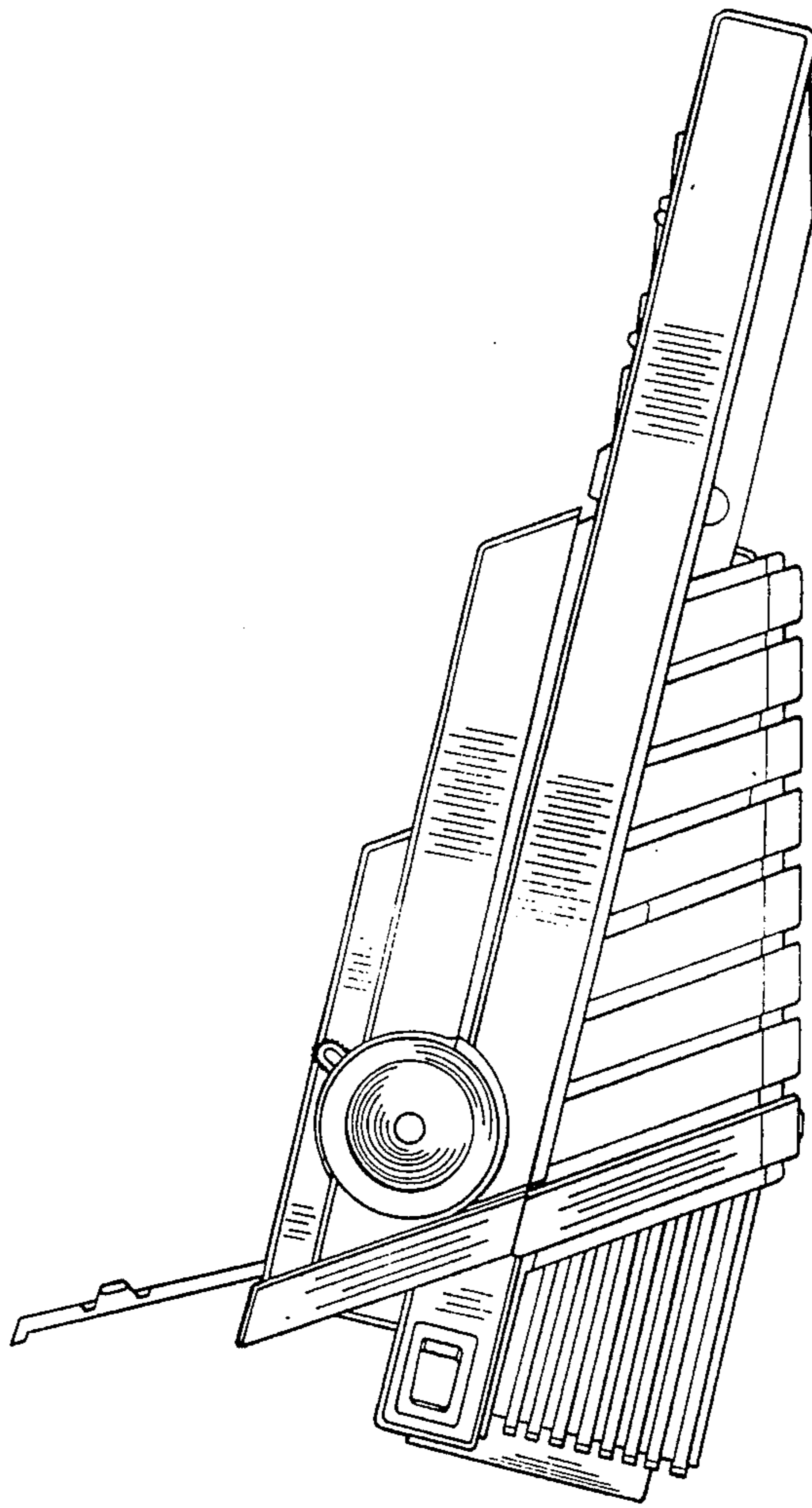


FIG.3

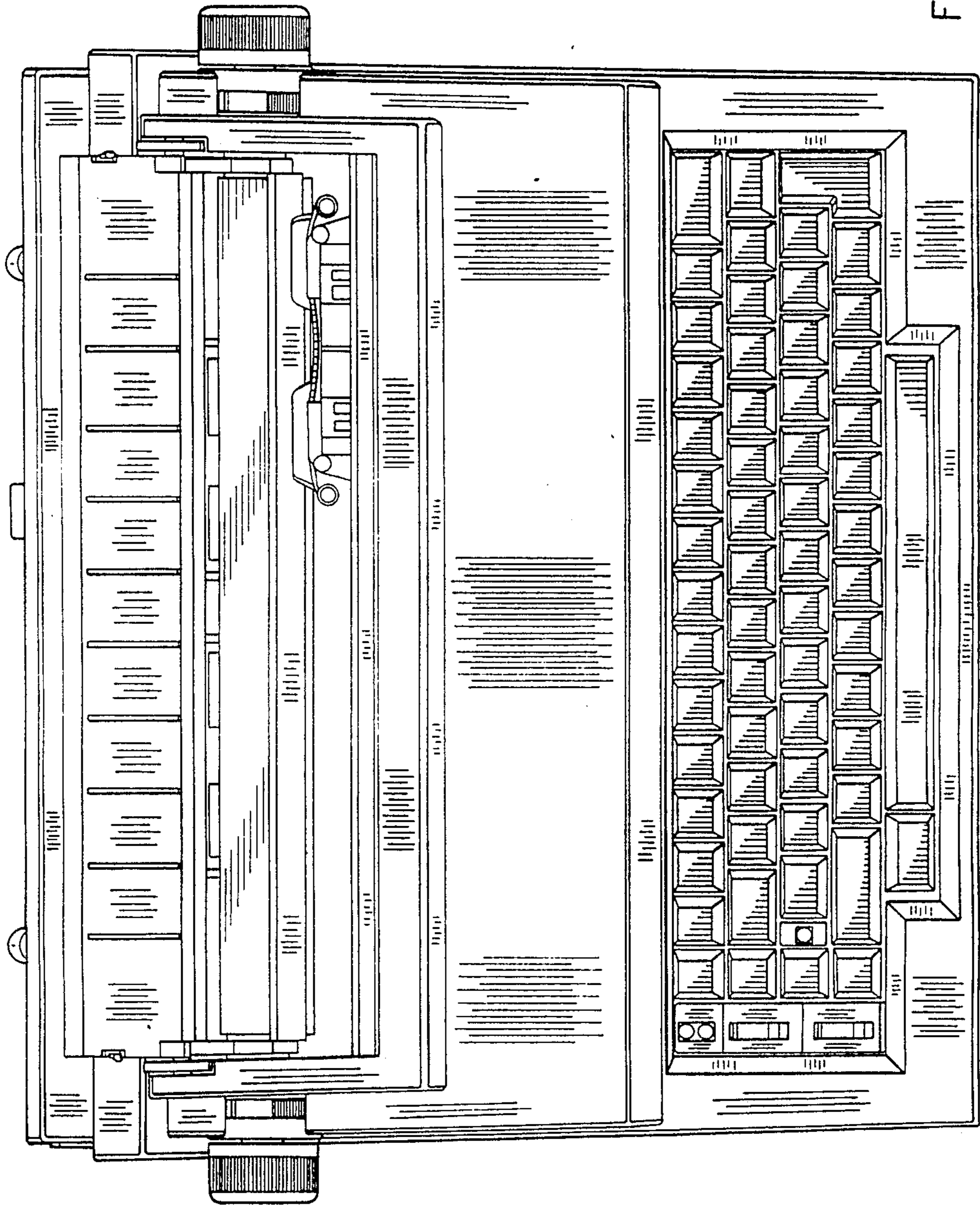
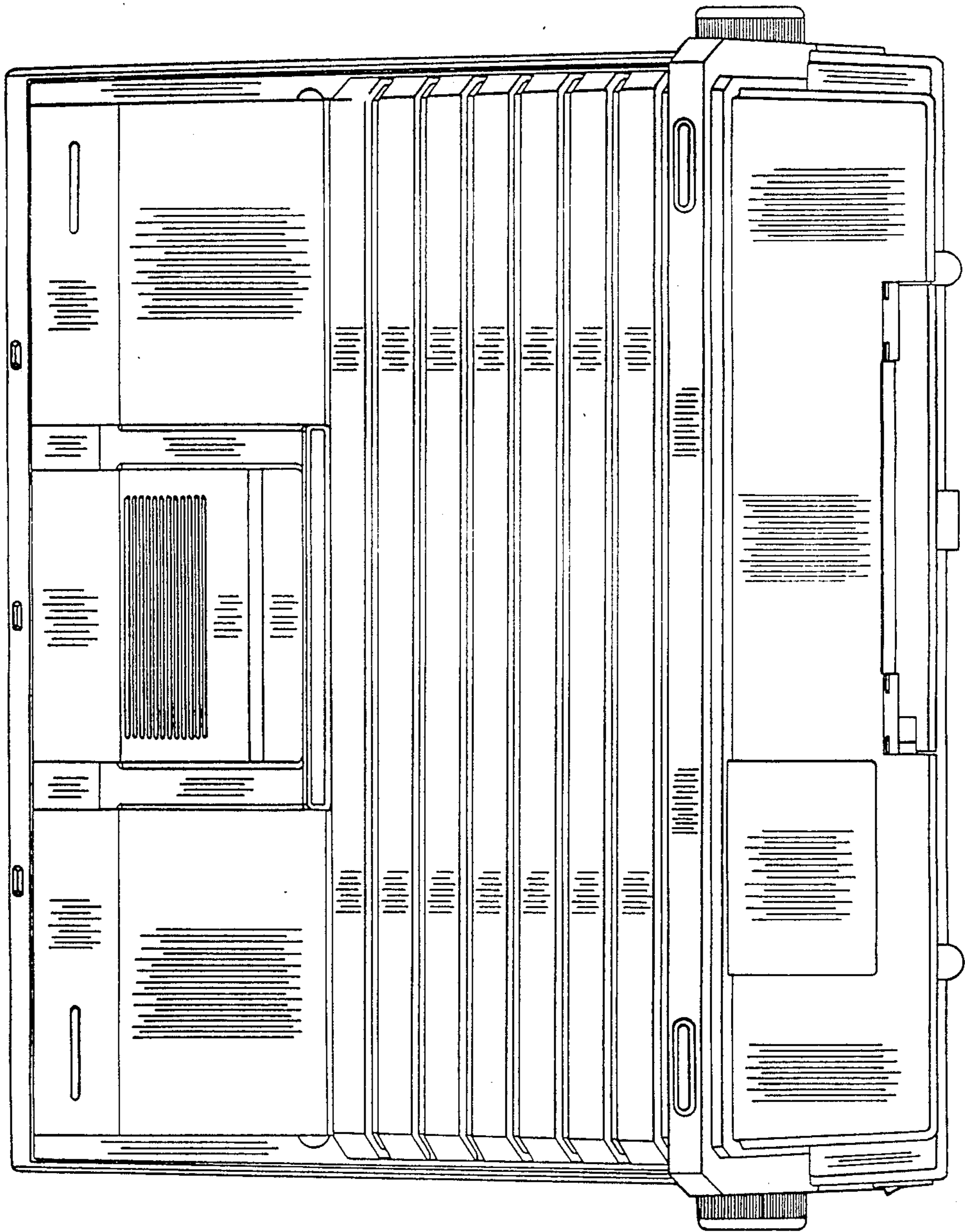


FIG. 4

FIG. 5



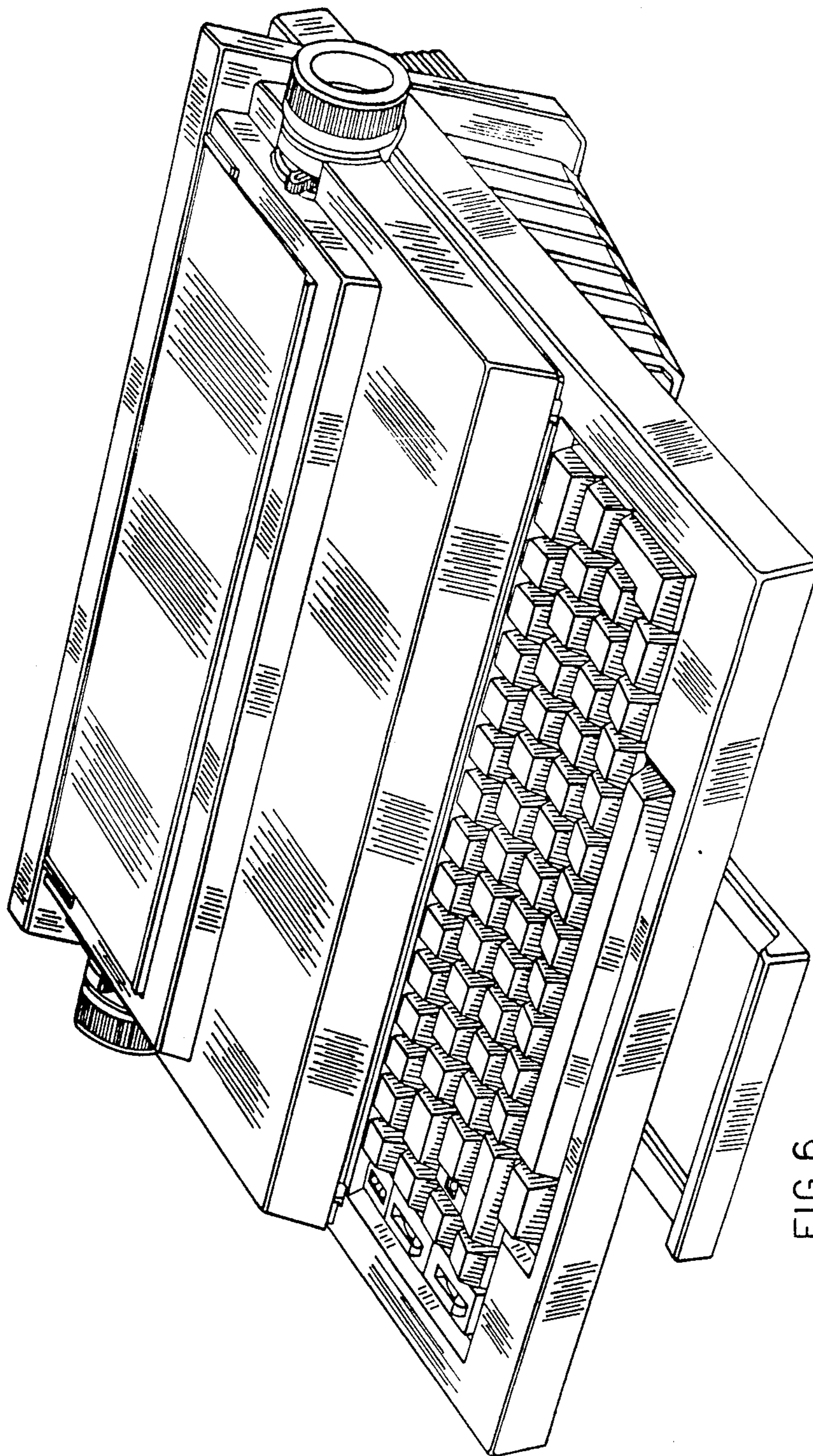


FIG. 6

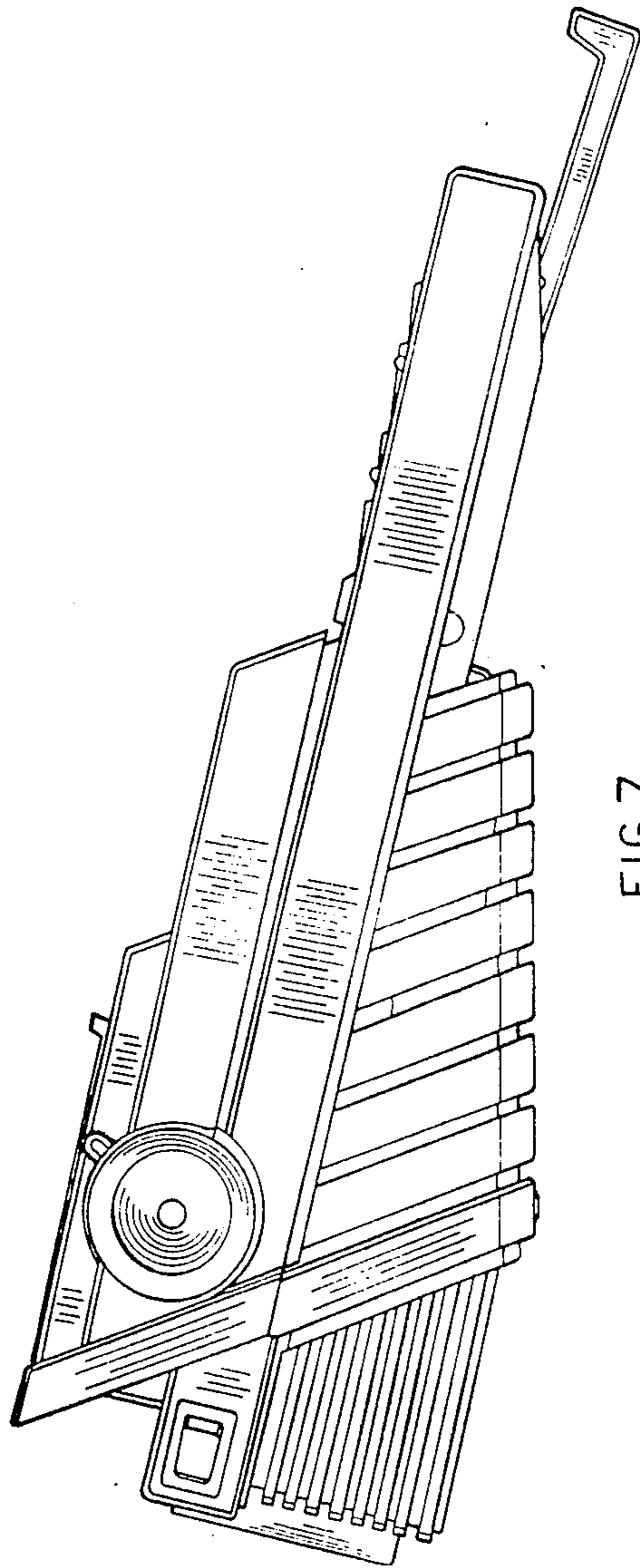
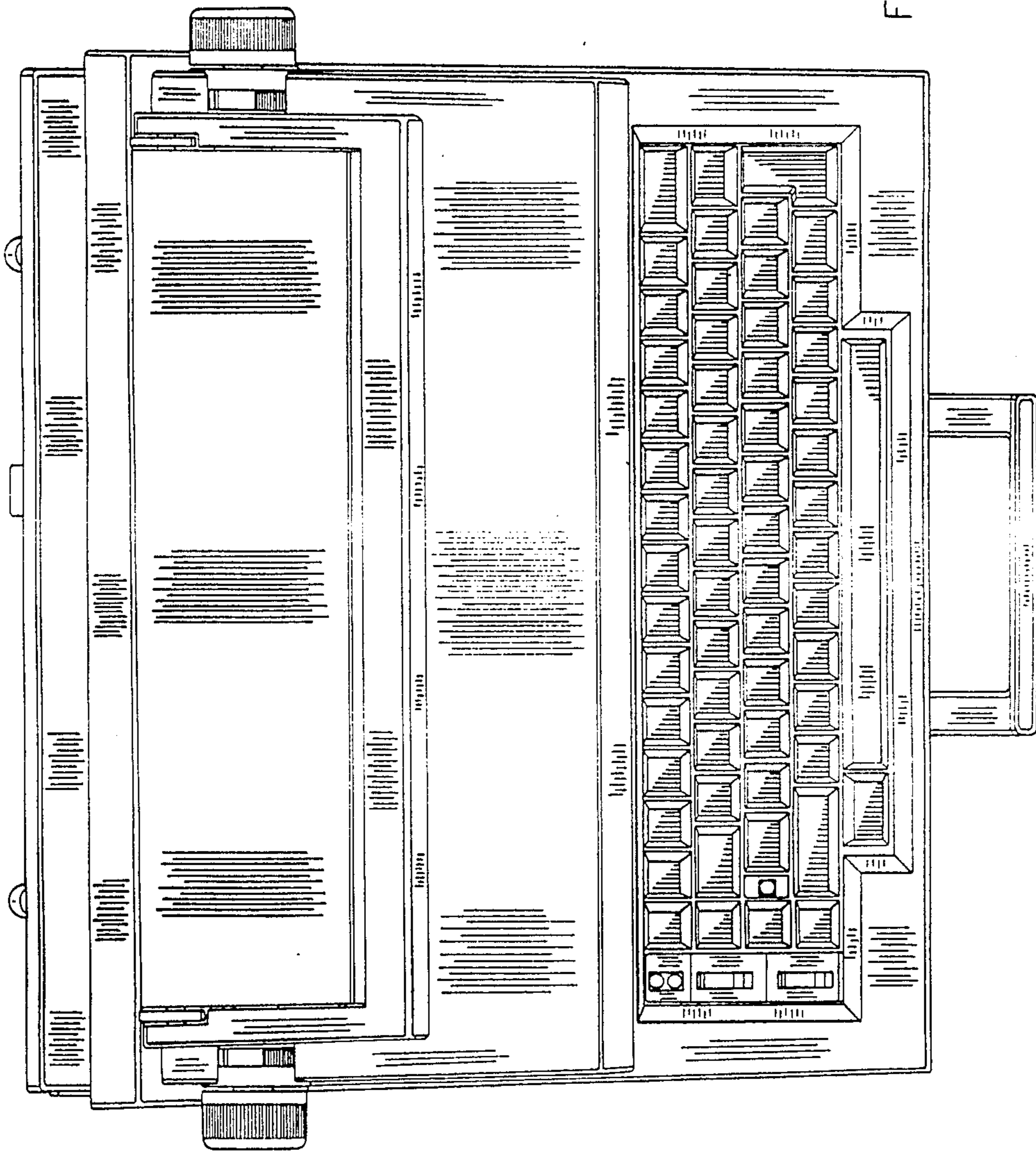


FIG. 7

FIG. 8



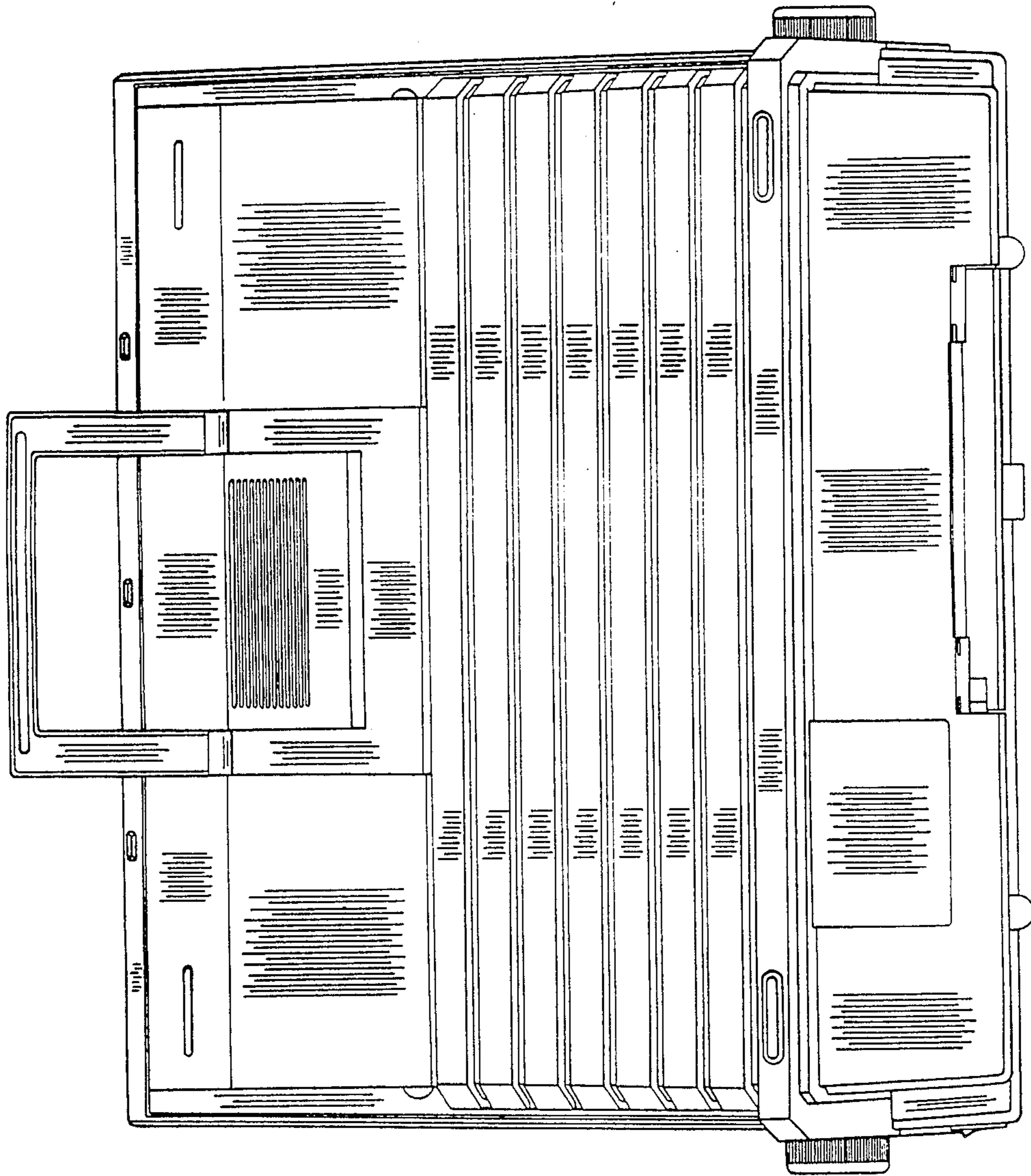


FIG. 9