

[54] VIDEO CAMERA OR SIMILAR ARTICLE
 [75] Inventors: Enrique Alie, Brooklyn; Joseph Galli, Jr., New York, both of N.Y.
 [73] Assignee: Polaroid Corporation, Cambridge, Mass.
 [**] Term: 14 Years
 [21] Appl. No.: 192,498
 [22] Filed: May 10, 1988
 [52] U.S. Cl. D16/202; D16/205
 [58] Field of Search D16/200, 202, 203, 204, D16/205, 206, 208; 354/82, 288; 358/229, 906, 908; 352/242, 243; 360/10.1

4,625,243 11/1986 Takubo 358/229
 4,819,016 4/1989 Leonard et al. 352/243

OTHER PUBLICATIONS

Video Review, Jun. 1987, p. 40 (Olympus VX801).

Primary Examiner—Melvin B. Feifer
 Assistant Examiner—Adir Aronovich
 Attorney, Agent, or Firm—Edward S. Roman

[57] CLAIM

The ornamental design for a video camera or similar article, as shown.

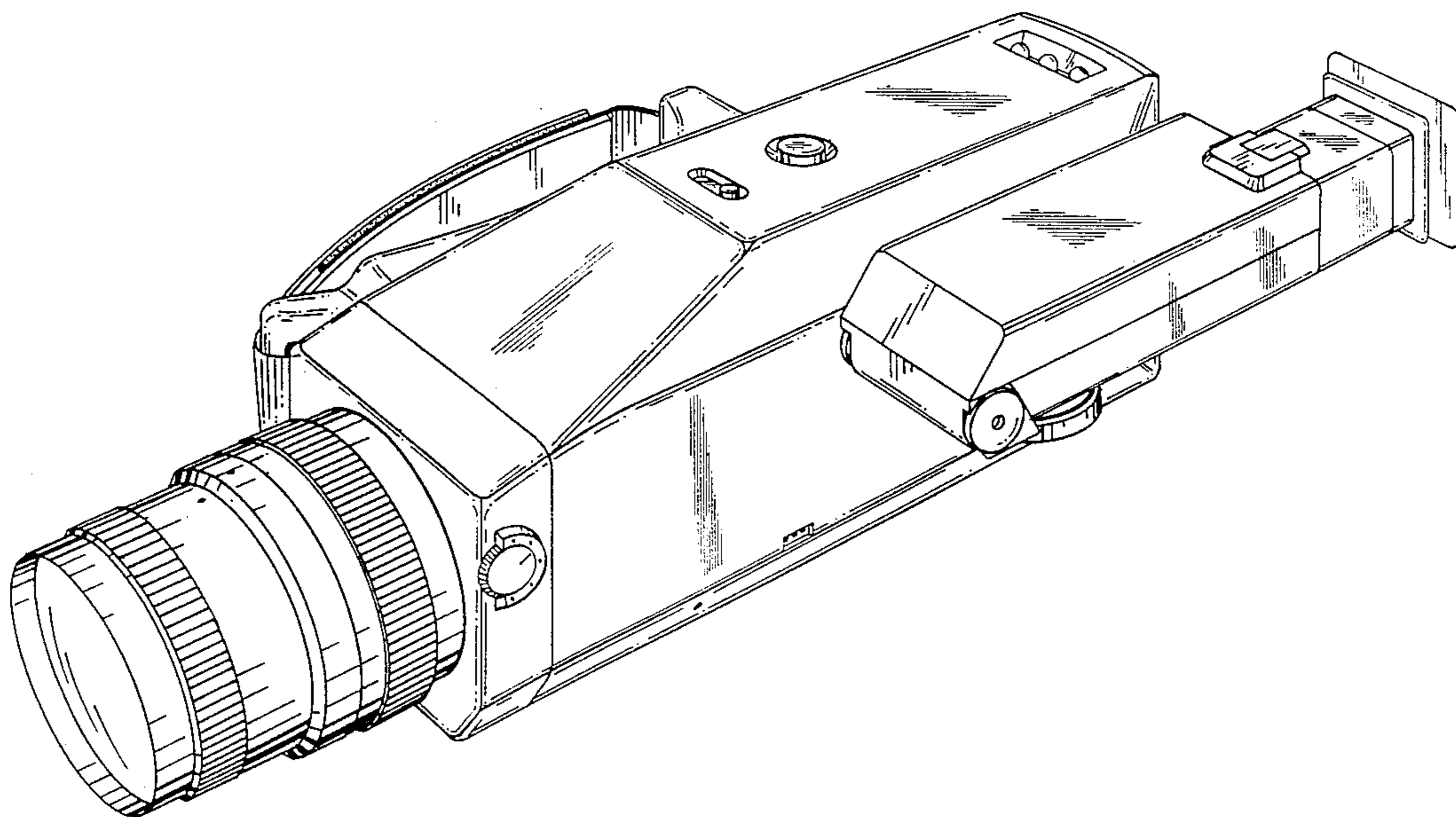
DESCRIPTION

FIG. 1 is a top, right front perspective view of a video camera or similar article showing my new design.
 FIG. 2 is a front elevational view thereof;
 FIG. 3 is a rear elevational view thereof;
 FIG. 4 is a right side elevational view thereof;
 FIG. 5 is a left side elevational view thereof;
 FIG. 6 is a top plan view thereof; and,
 FIG. 7 is a bottom plan view thereof.

[56] References Cited

U.S. PATENT DOCUMENTS

D. 223,410 4/1972 Larson D16/202
 D. 244,931 7/1977 Miller et al. D16/205
 D. 294,570 3/1988 Kurokawa et al. D16/202
 4,604,668 8/1986 Lemelson 360/10.1



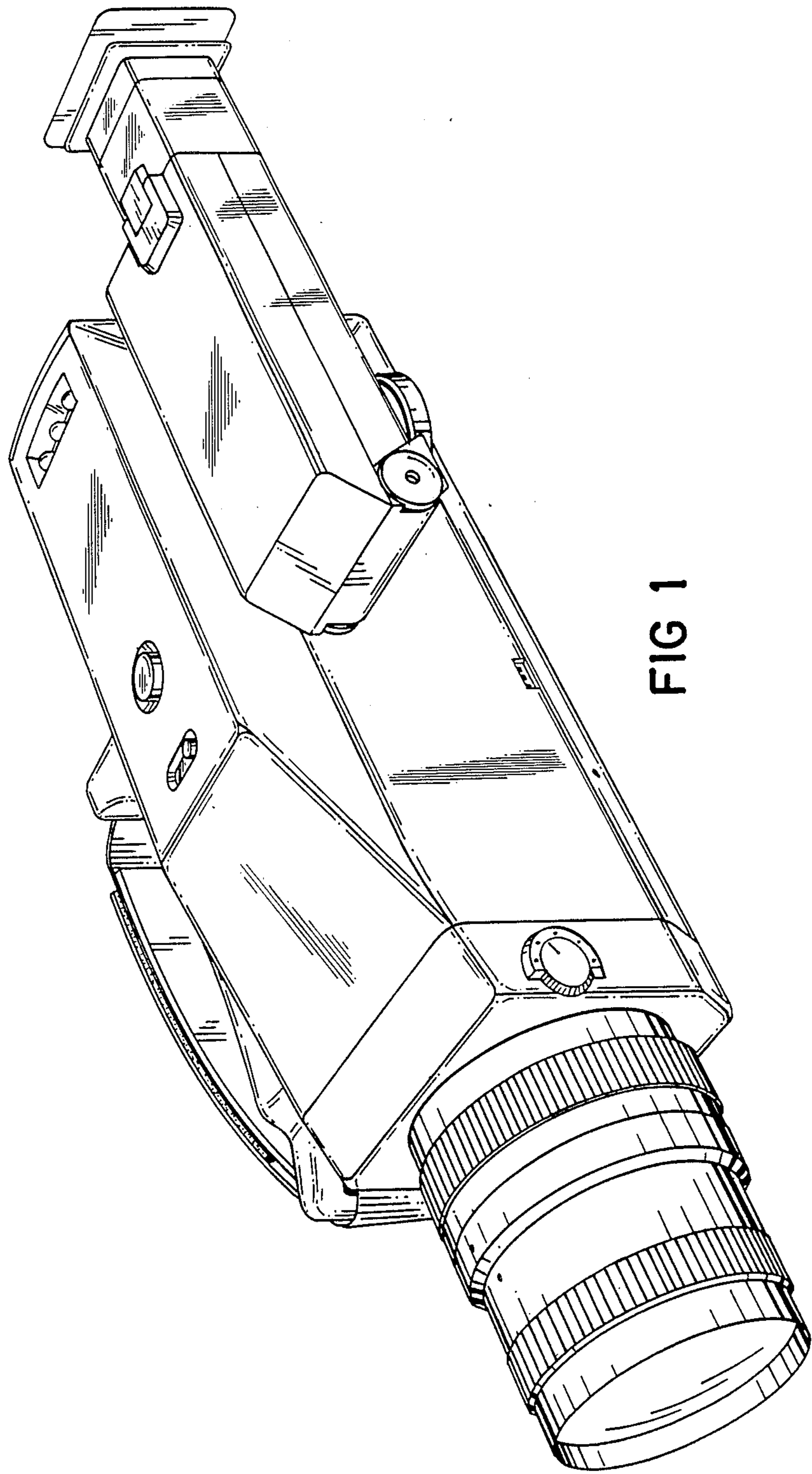


FIG 1

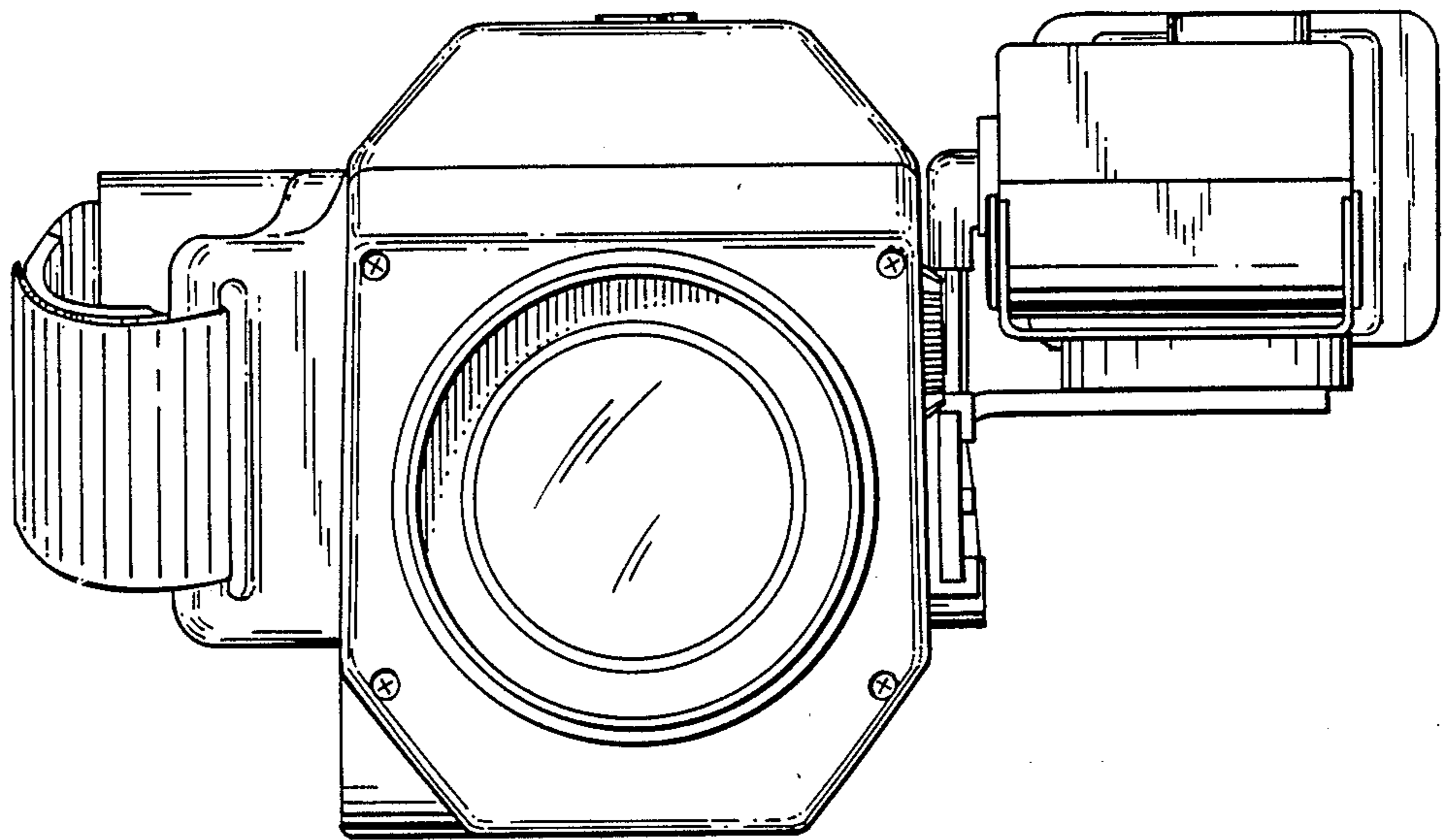


FIG 2

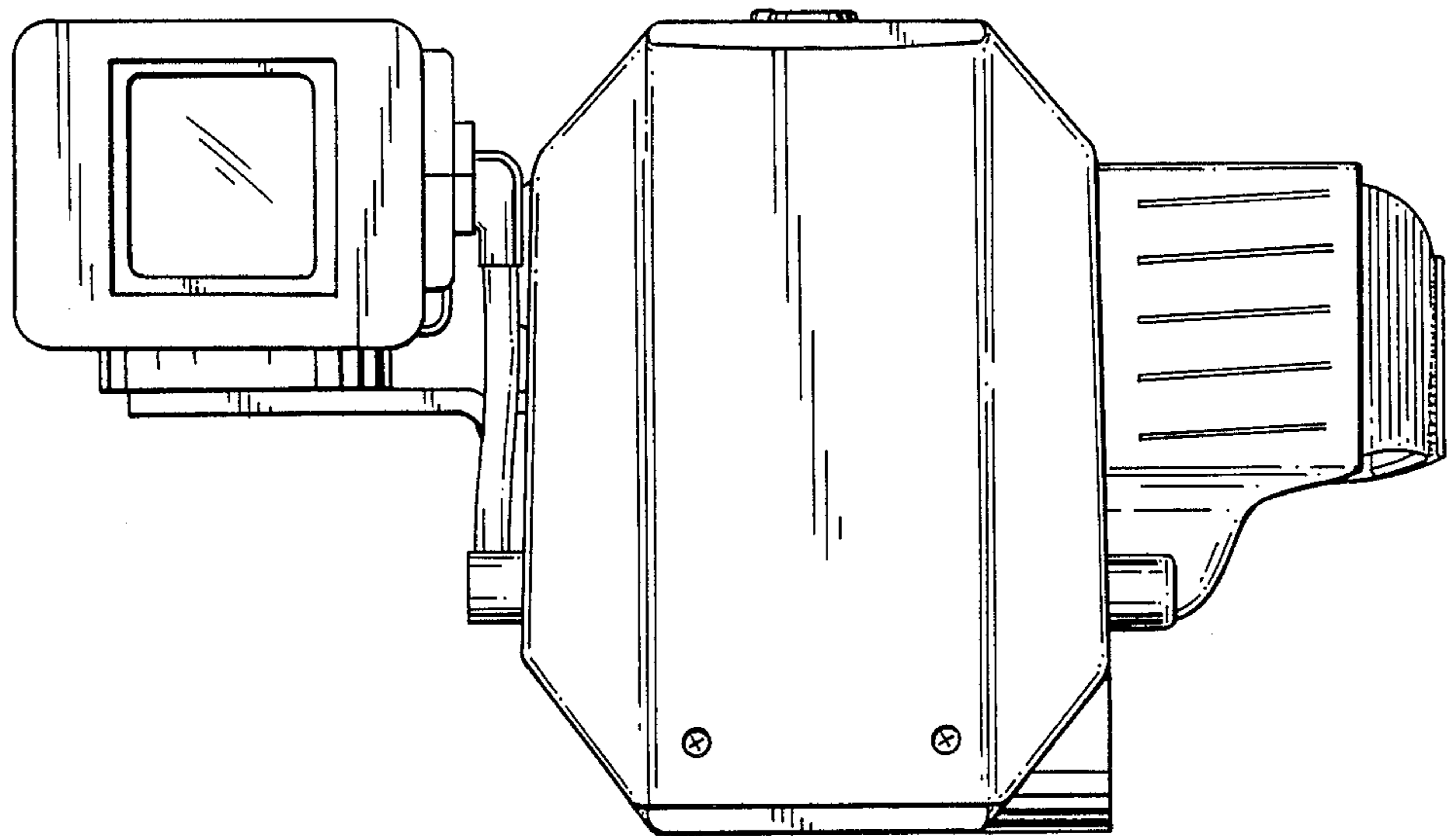


FIG 3

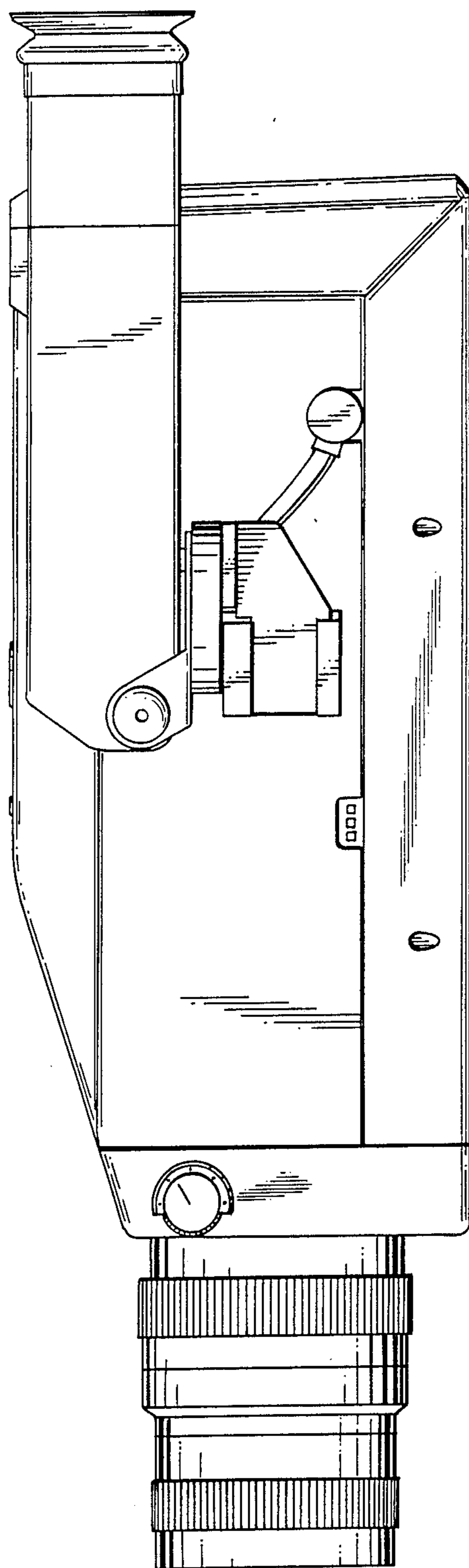


FIG 4

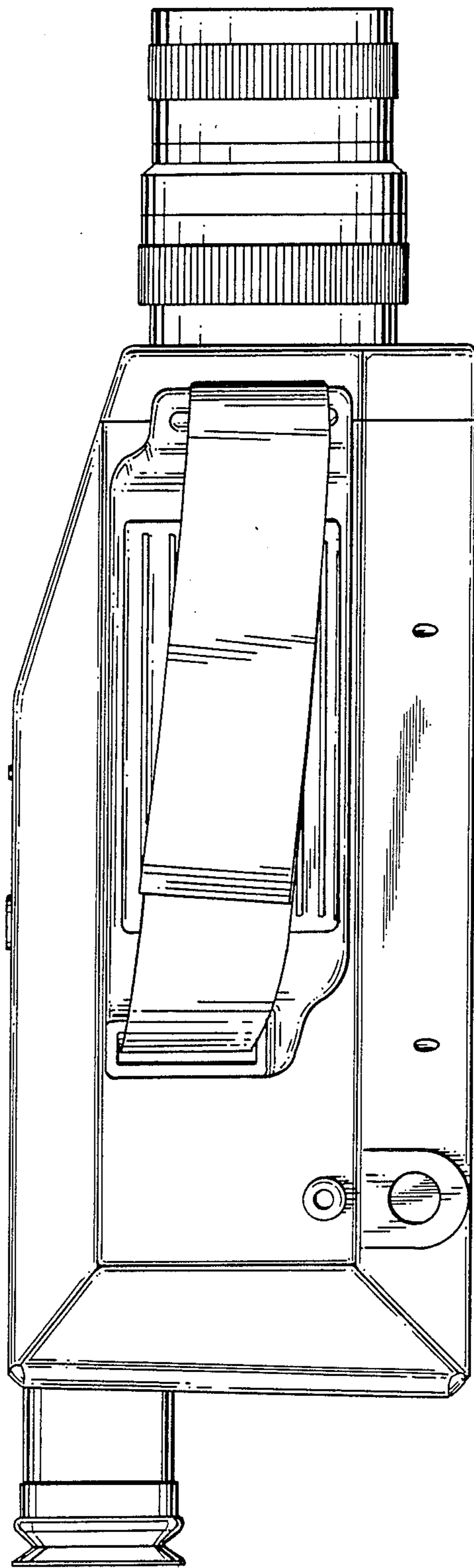


FIG 5

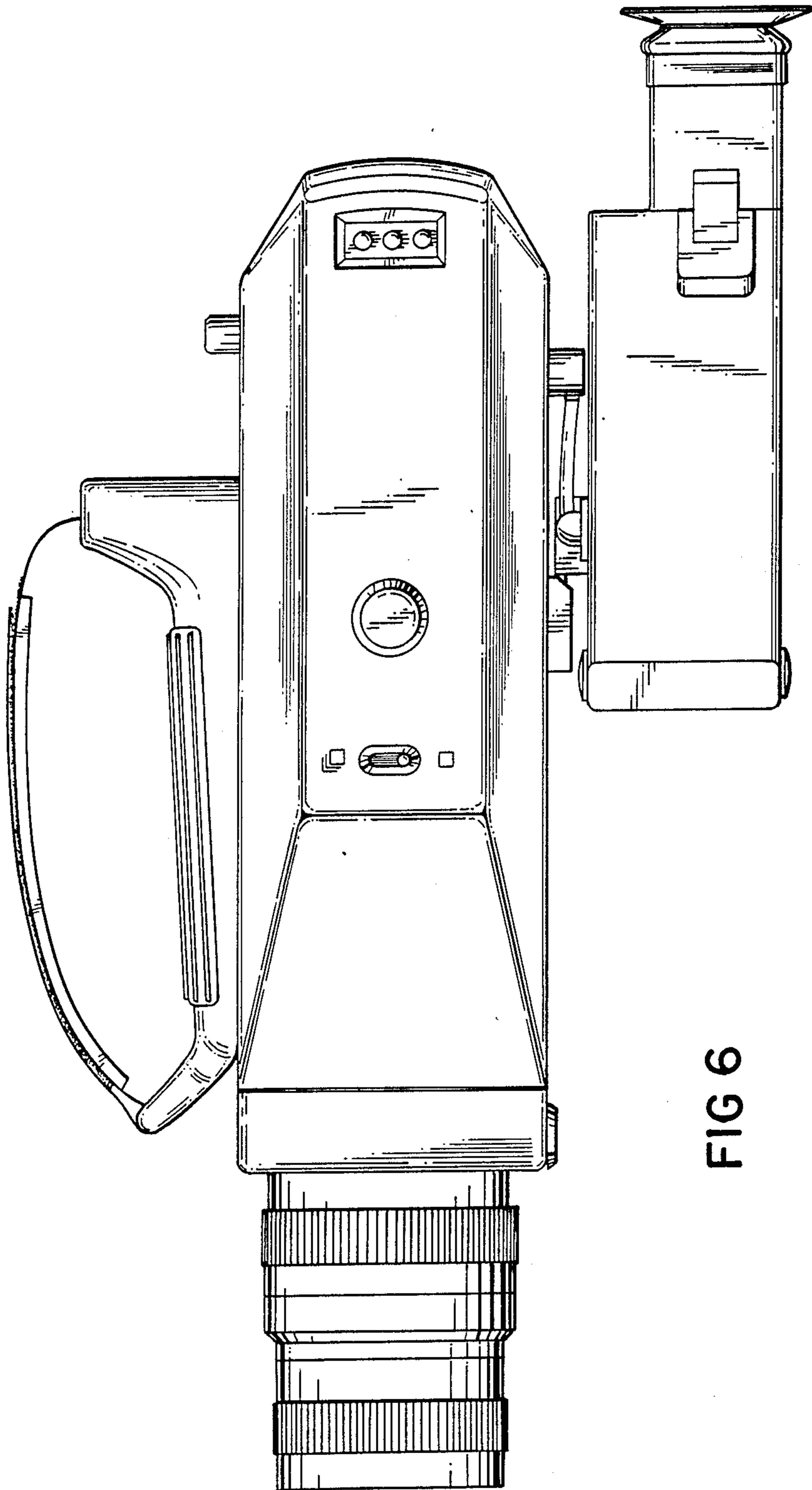


FIG 6

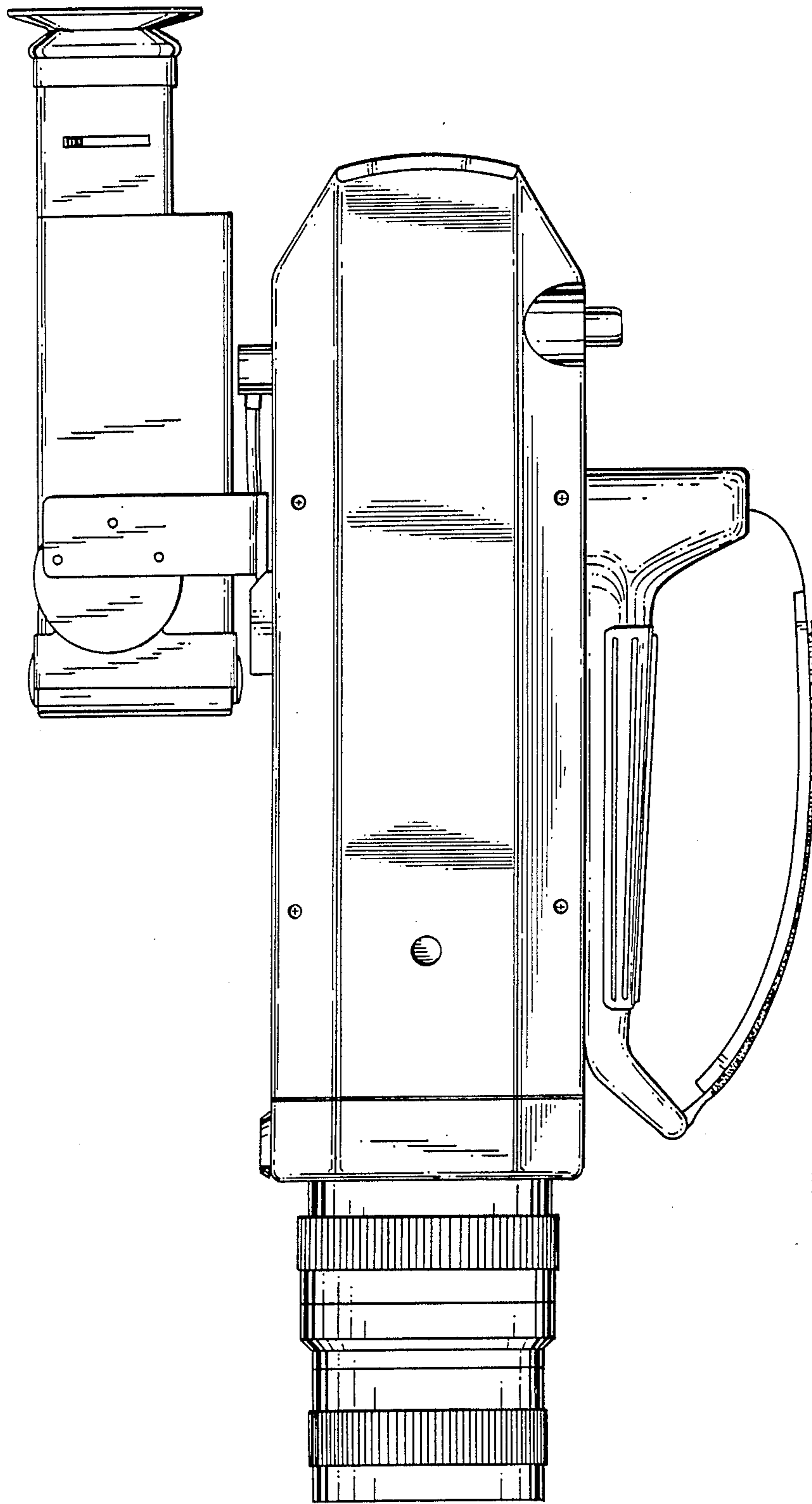


FIG 7