

[54] **GRASS TRIMMER ATTACHMENT FOR LAWN MOWERS**

[76] **Inventor: Robert W. Wilkins, 159 Whispering Creek Dr., King, N.C. 27021**

[**] **Term: 14 Years**

[21] **Appl. No.: 279,148**

[22] **Filed: Dec. 2, 1988**

[52] **U.S. Cl. D15/17**

[58] **Field of Search D15/14, 15, 16, 17; 56/255, 256; 172/14, 15**

[56] **References Cited**

U.S. PATENT DOCUMENTS

D. 285,079	8/1986	Hurthmacher	D15/14
2,707,858	5/1955	Norton	172/14
2,778,233	1/1957	Perry	172/15
3,057,411	10/1962	Carlton	172/15
3,191,368	6/1965	Hidalgo	D15/17
3,197,950	8/1965	Griffith	56/255
3,407,579	10/1968	Decker	172/15
3,690,384	9/1972	Patterson	172/15
3,782,085	1/1974	Parker et al.	56/256

FOREIGN PATENT DOCUMENTS

2079575 7/1980 United Kingdom 56/255

Primary Examiner—Melvin B. Feifer

Assistant Examiner—Sandra Morris

Attorney, Agent, or Firm—T. M. Gernstein

[57] **CLAIM**

The ornamental design for a grass trimmer attachment for lawn mowers, as shown.

DESCRIPTION

FIG. 1 is a left side elevational view of a grass trimmer attachment for lawn mowers, showing my new design; FIG. 2 is a top plan view thereof; FIG. 3 is a rear elevational view thereof; FIG. 4 is a right side elevational view thereof; FIG. 5 is a bottom plan view thereof; FIG. 6 is a perspective view thereof, shown in an alternative position; FIG. 7 is a perspective view thereof; FIG. 8 is a front plan view thereof. Broken lines depicting the mower are for illustrative purposes only, and form no part of the claimed design.

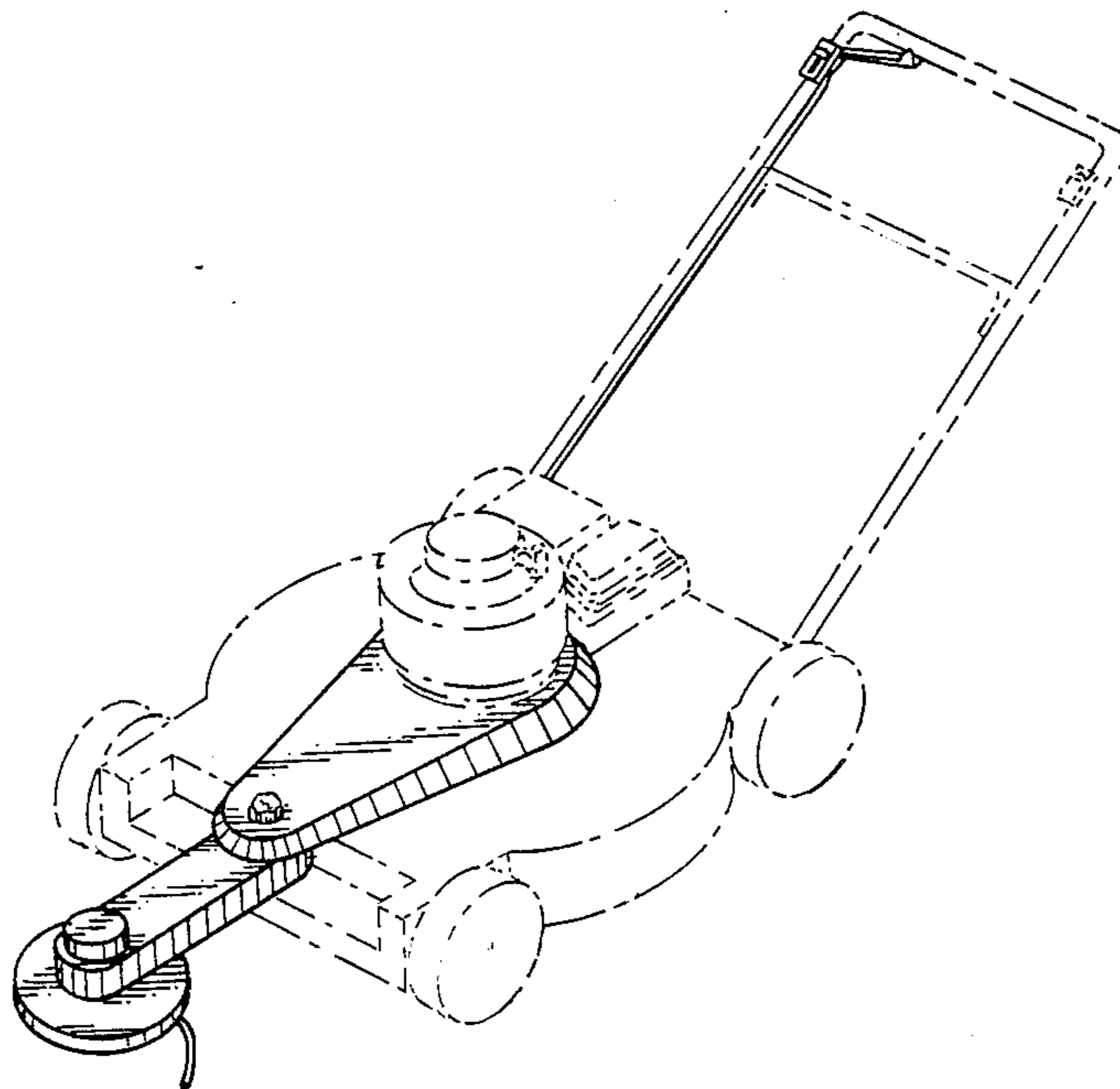


FIG. 1

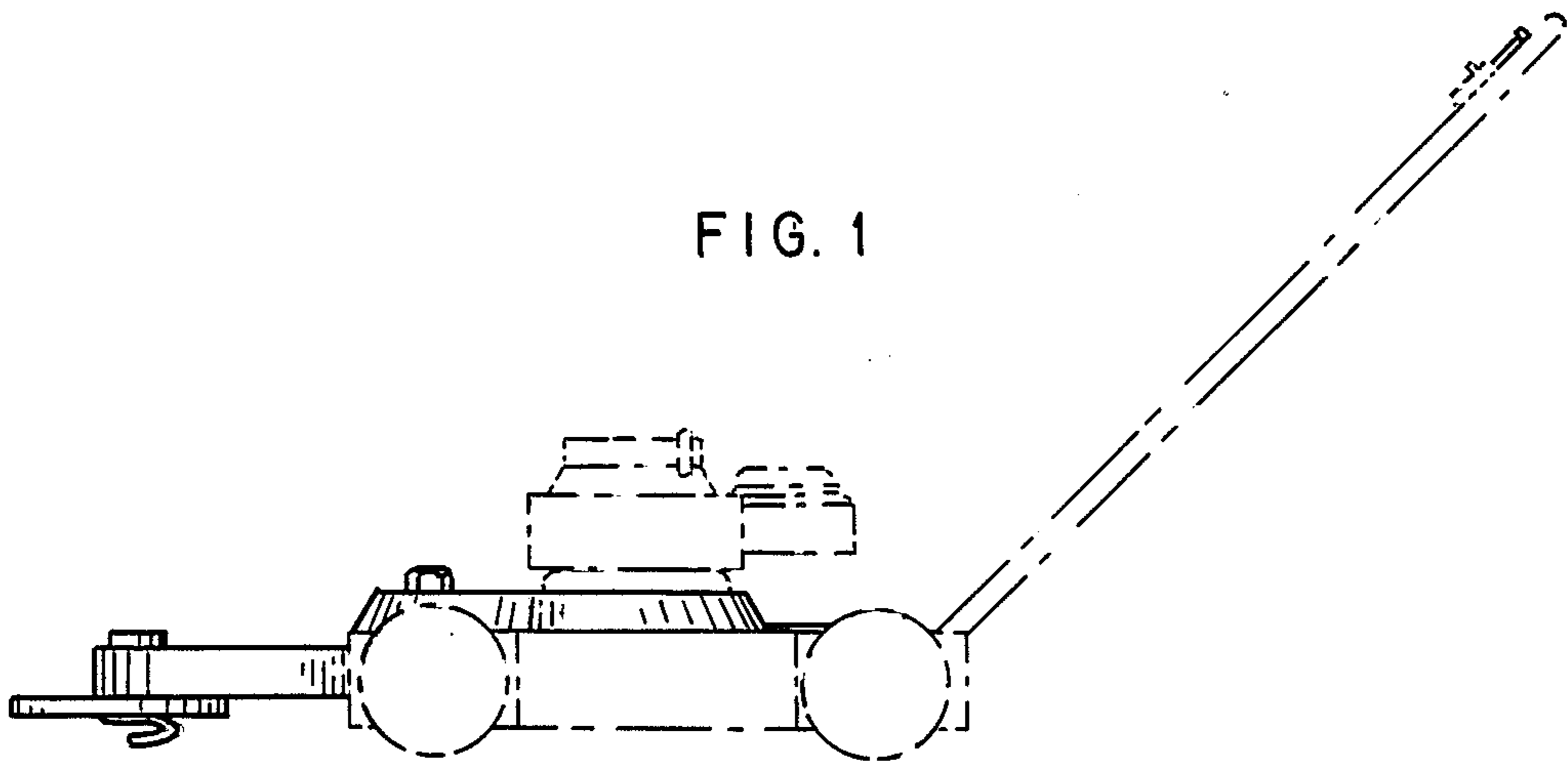


FIG. 2

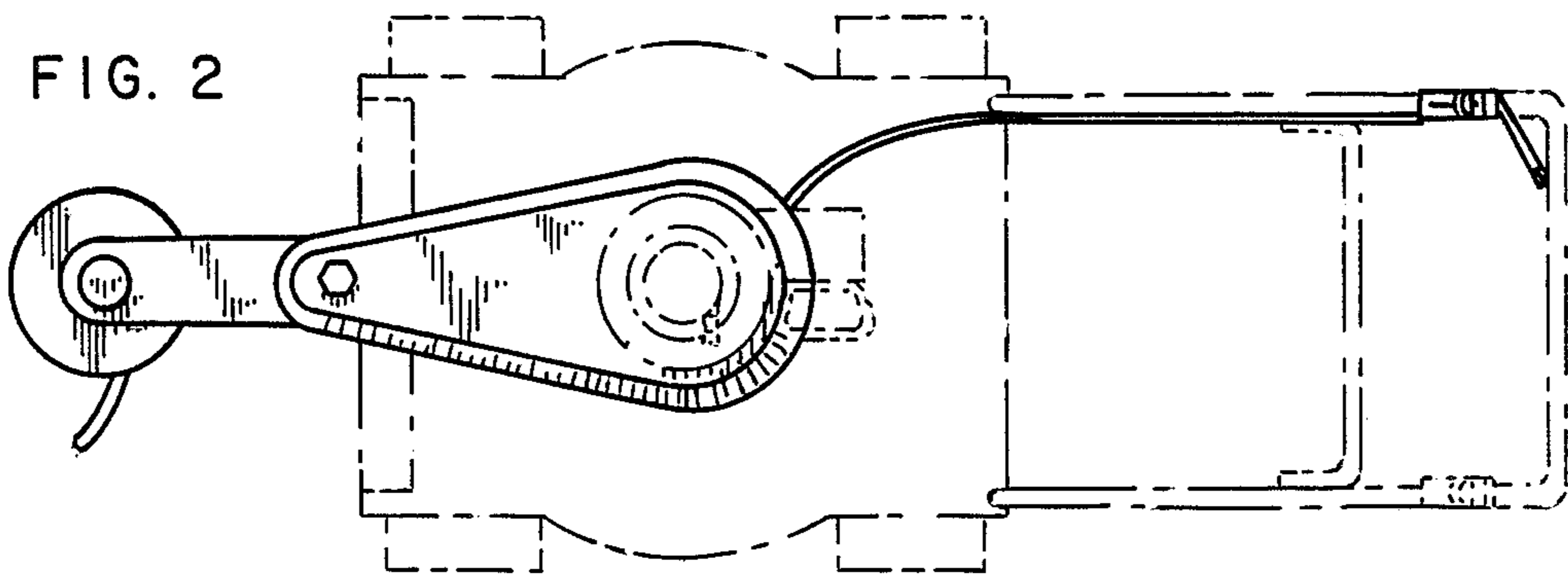
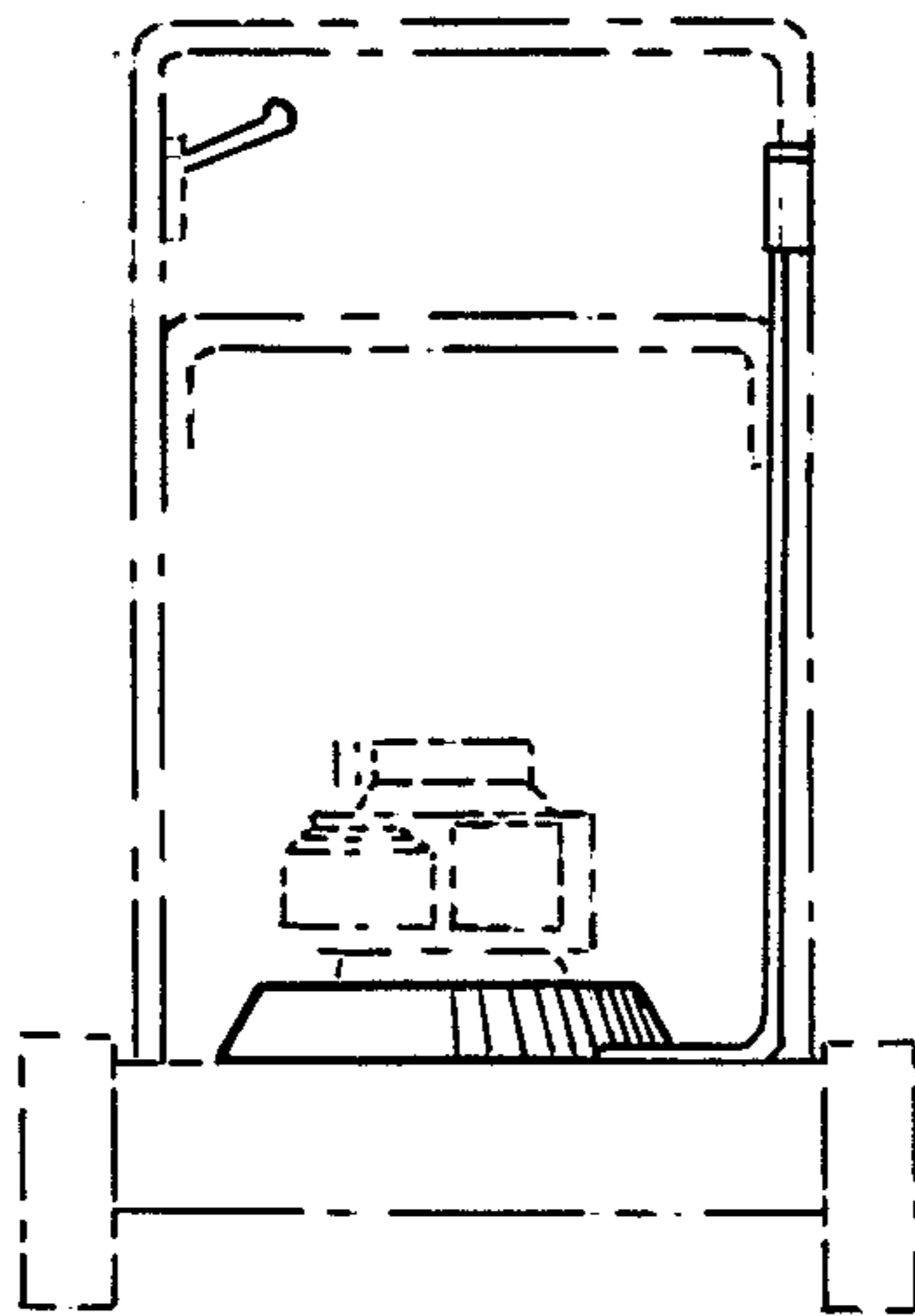


FIG. 3



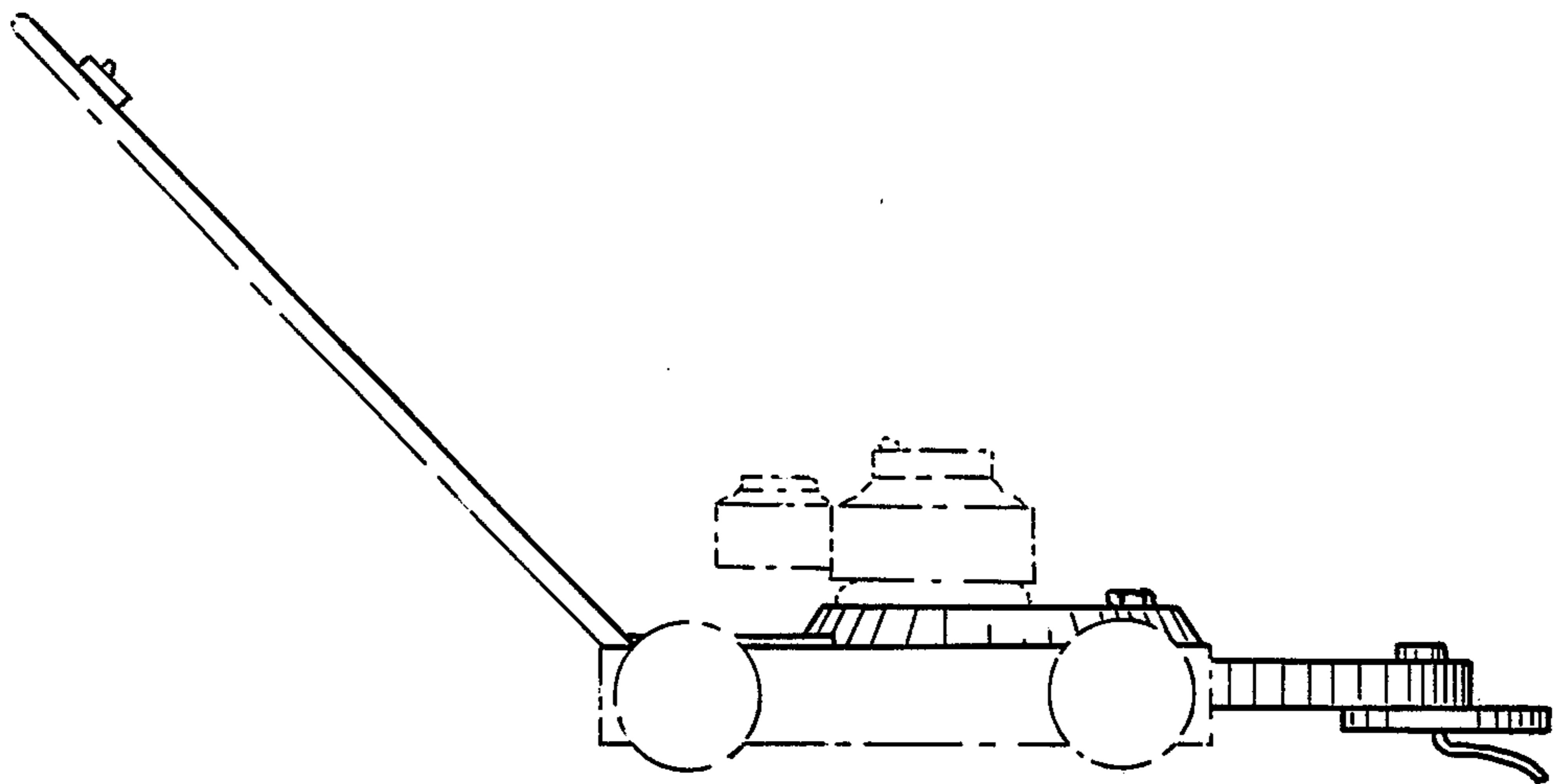


FIG. 4

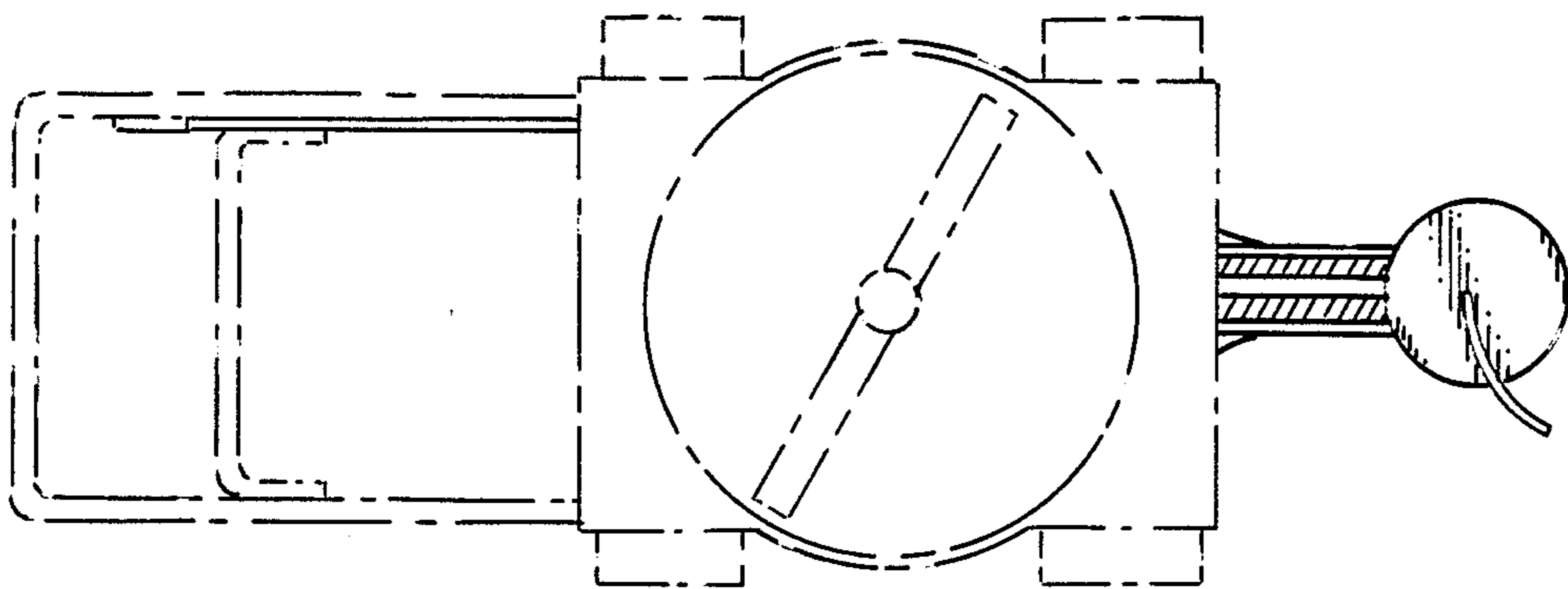


FIG. 5

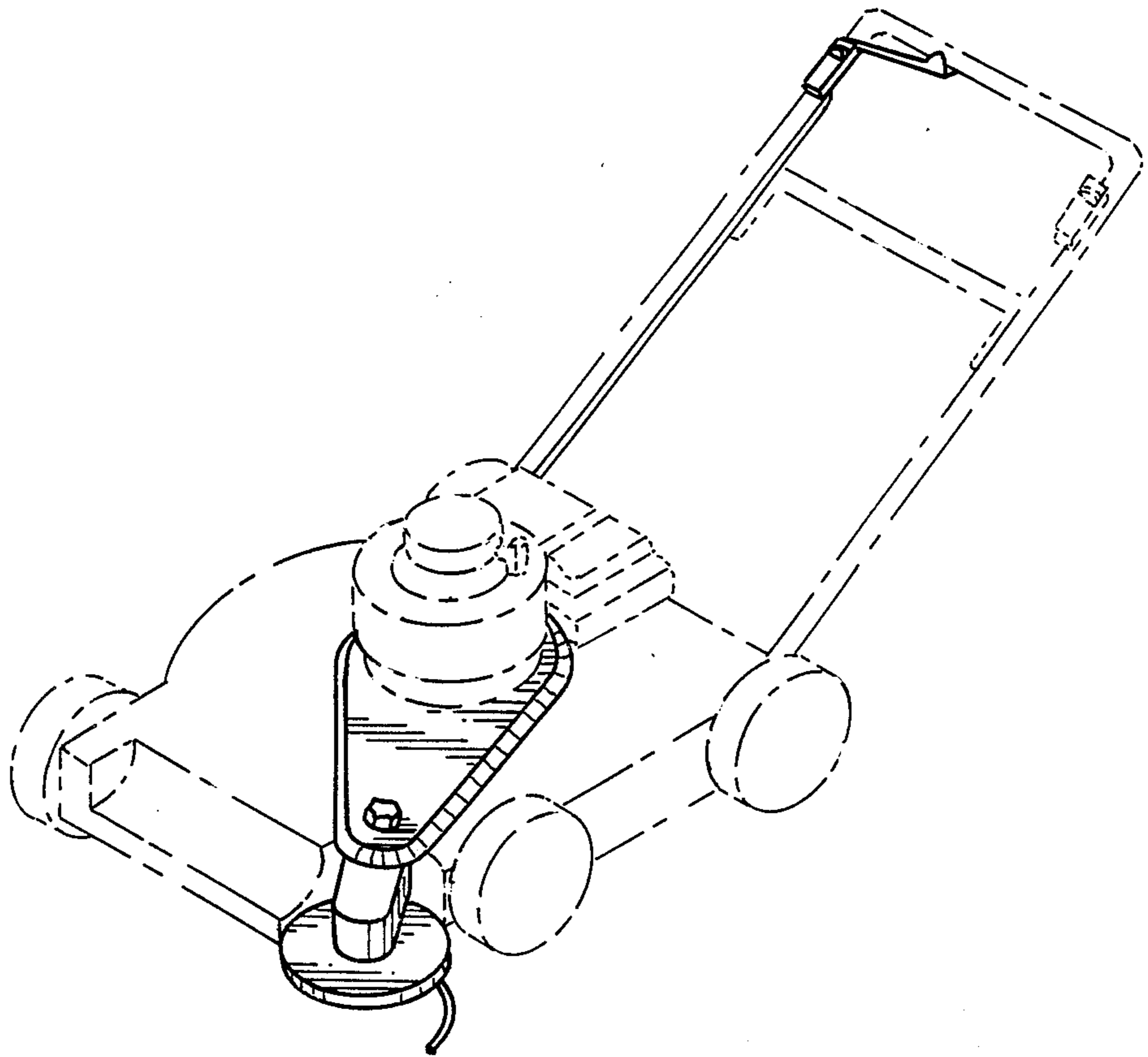


FIG. 6

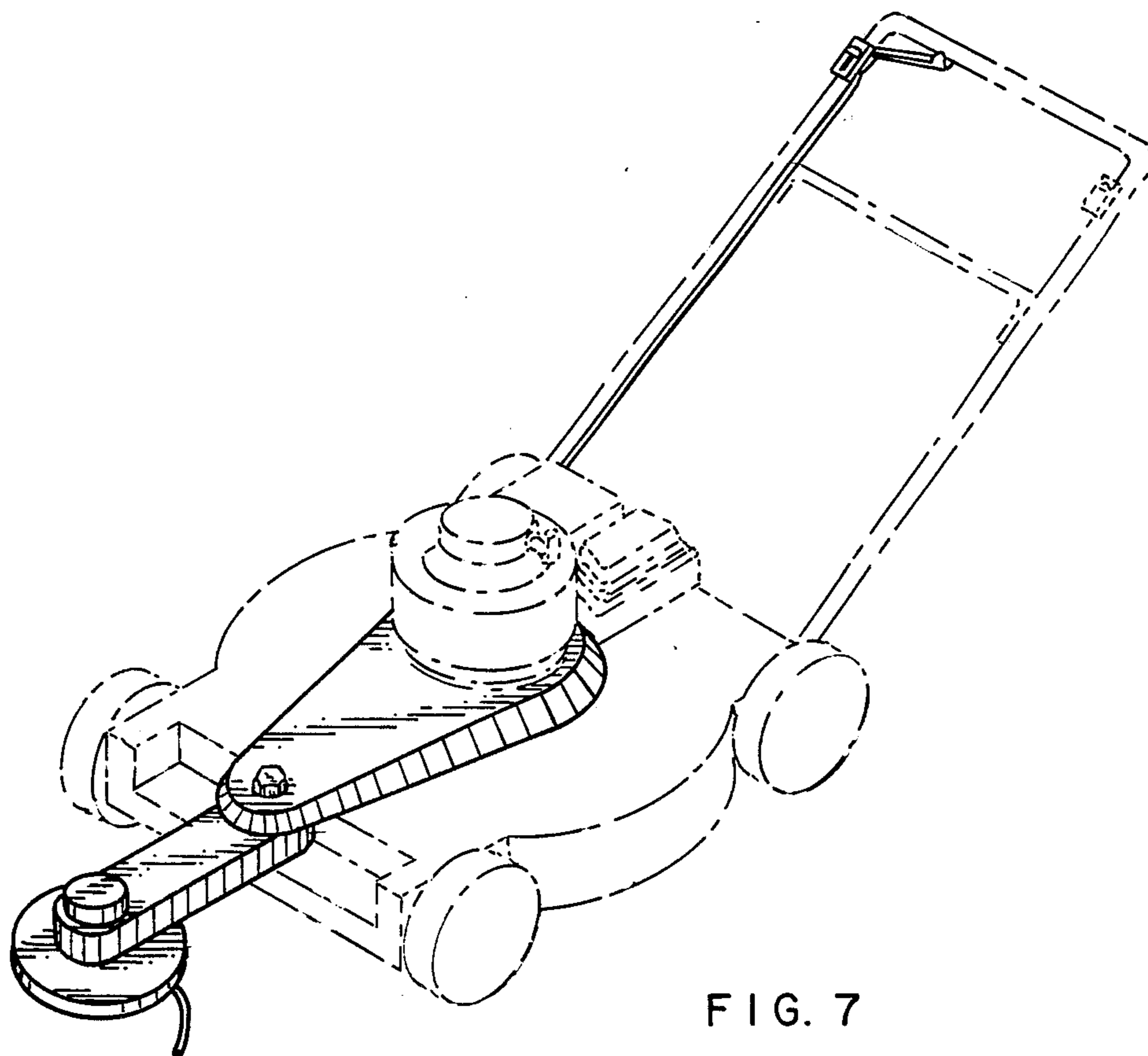


FIG. 7

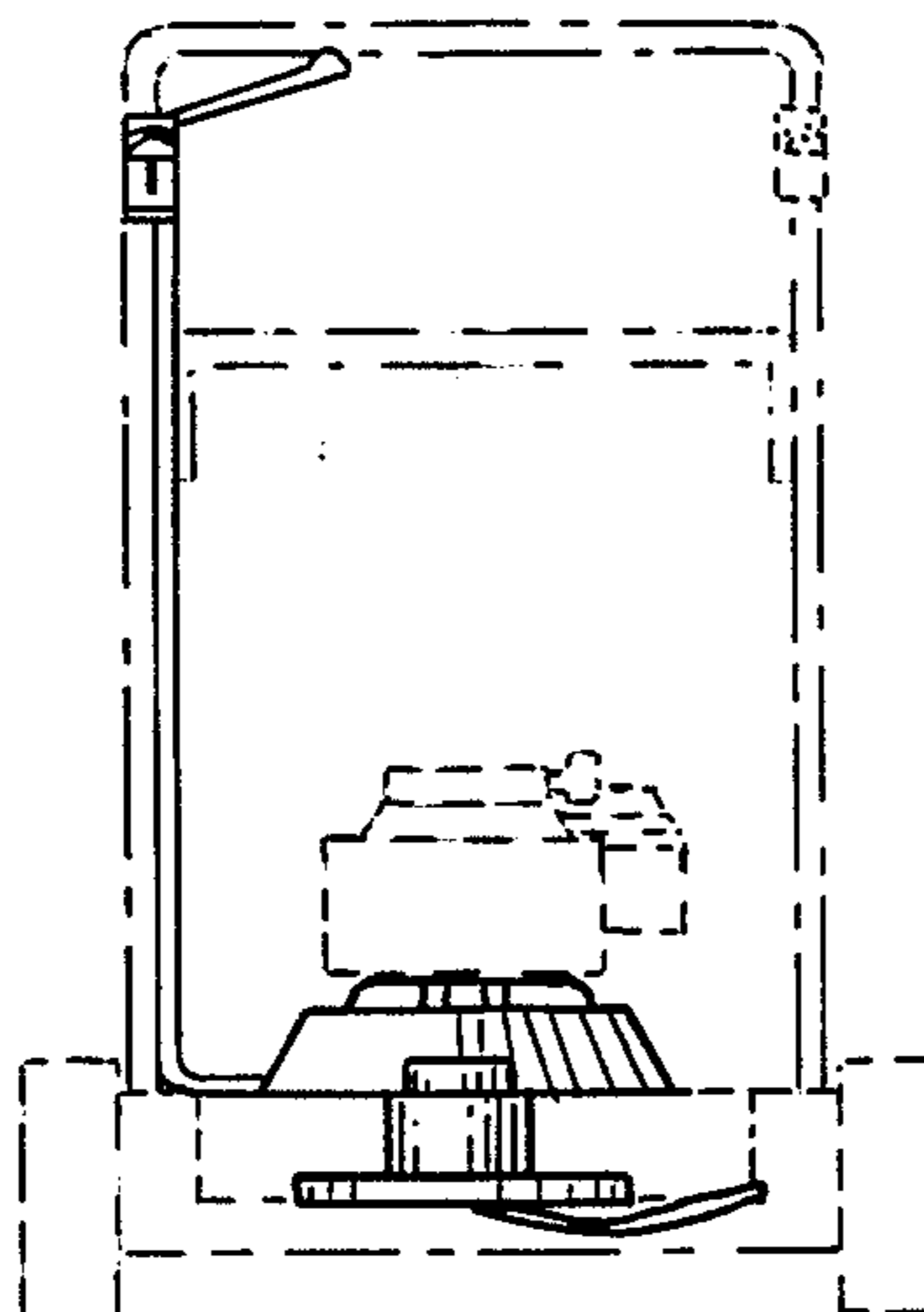


FIG. 8