

[54] LAWN MOWER BODY

[75] Inventors: John R. Durfee, Ankeny; Harlan J. Trefz, Polk City, both of Iowa

[73] Assignee: Noma Outdoor Products, Inc., Jackson, Tenn.

[**] Term: 14 Years

[21] Appl. No.: 200,194

[22] Filed: May 31, 1988

[52] U.S. Cl. D15/15

[58] Field of Search D15/14, 15, 16, 23; 56/13.4, 16.7, 202, 320.1, 320.2, DIG. 7; 180/89.1, 89.12, 900

[56] References Cited

U.S. PATENT DOCUMENTS

- D. 245,604 8/1977 Cognata et al. D15/23
- D. 249,042 8/1978 Hinklin D15/23

OTHER PUBLICATIONS

Sears Spring Summer Catalog 1980 p.822 bottom picture.

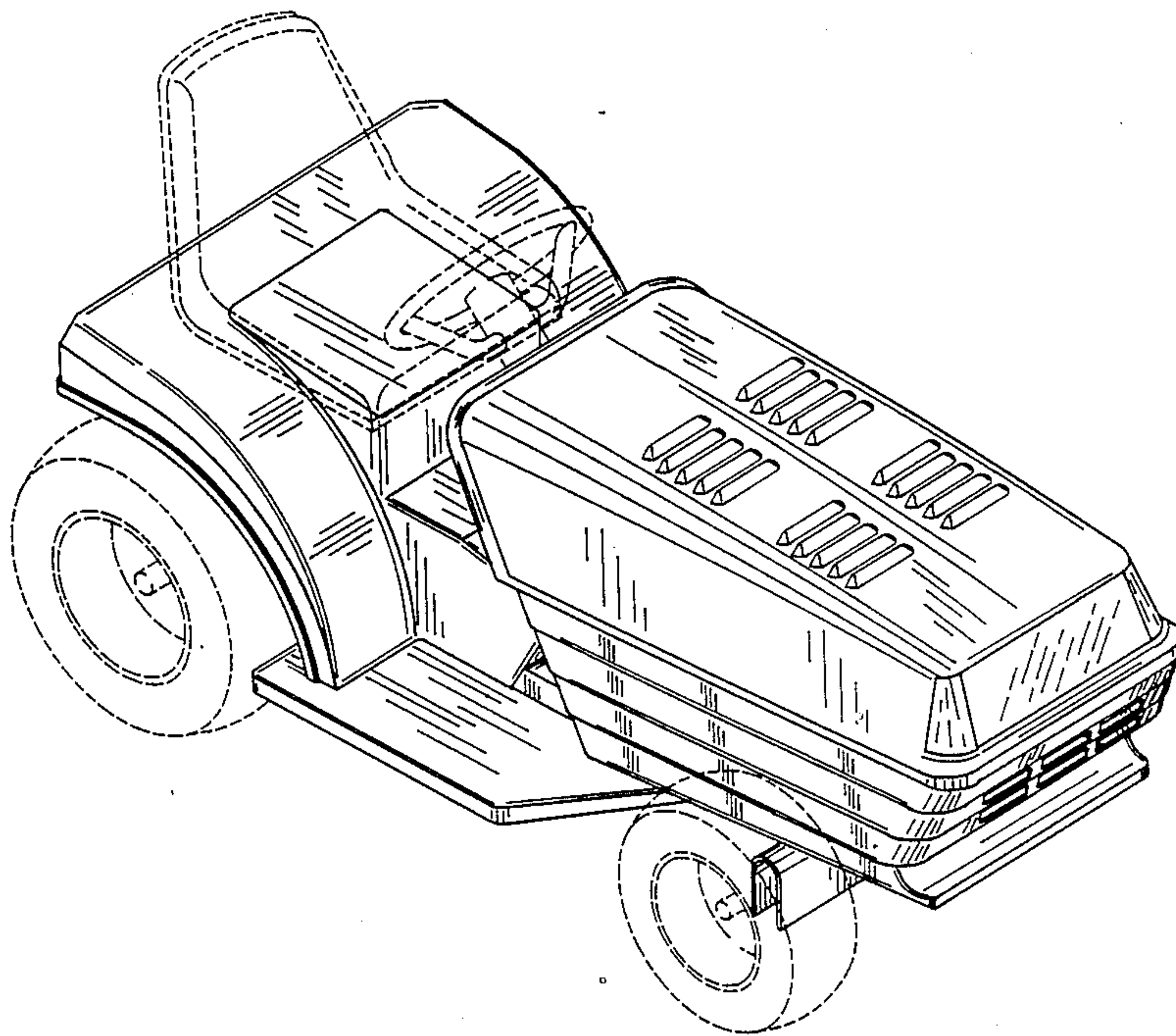
Primary Examiner—B. J. Bullock
Assistant Examiner—Sandra Morris
Attorney, Agent, or Firm—G. Brian Pingel

[57] CLAIM

The ornamental design for a lawn mower body, as shown and described.

DESCRIPTION

FIG. 1 is a perspective view of a lawn mower body showing our new design with a steering wheel, seat and wheels shown in broken lines;
FIG. 2 is a side elevational view thereof, the opposite side being a mirror image;
FIG. 3 is a top plan view thereof;
FIG. 4 is a rear elevational view thereof; and
FIG. 5 is a front elevational view thereof.
The broken lines showing of the steering wheel, seat and wheels in FIG. 1 are for illustrative purposes only and form no part of the claimed design.



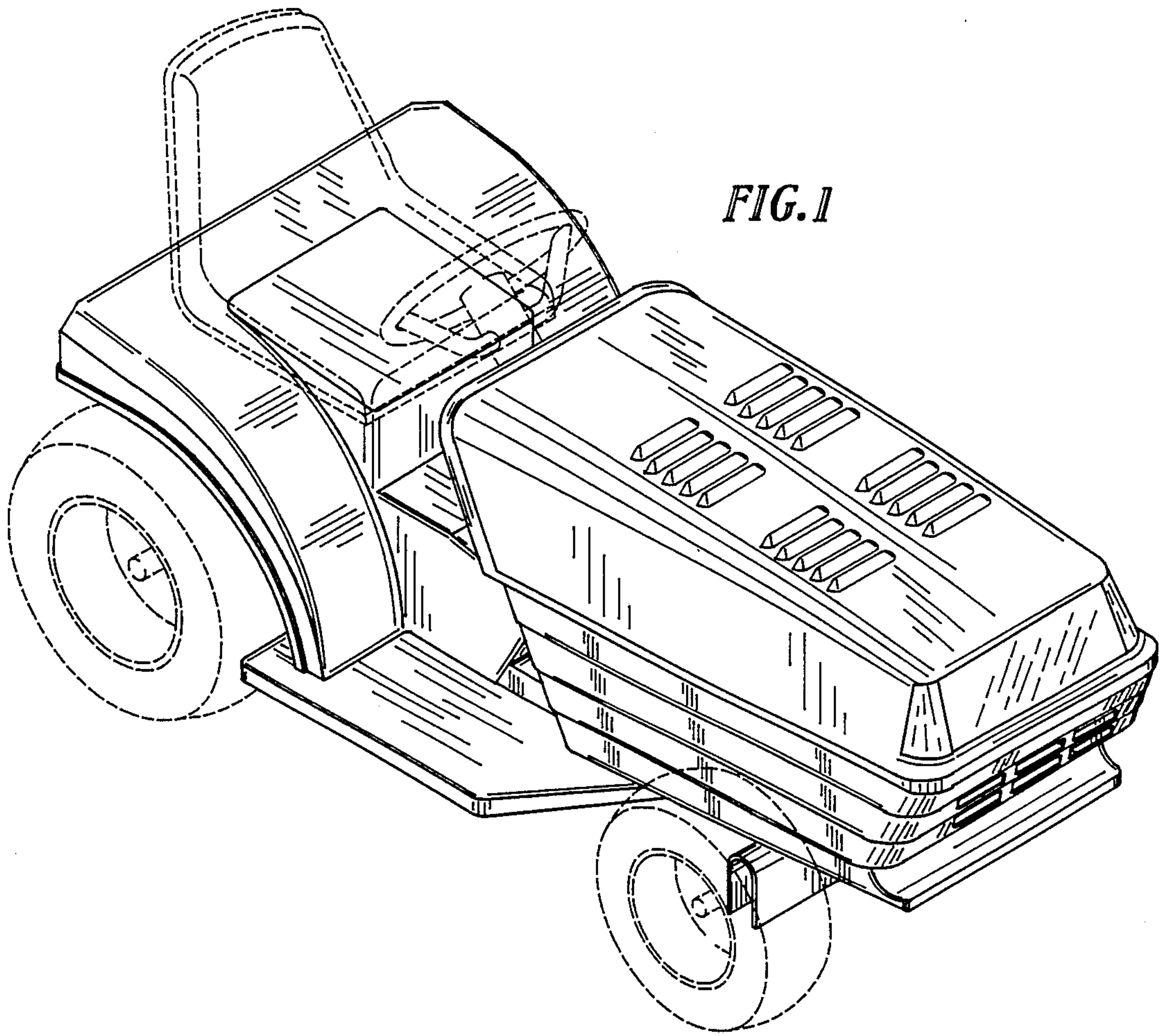


FIG. 1

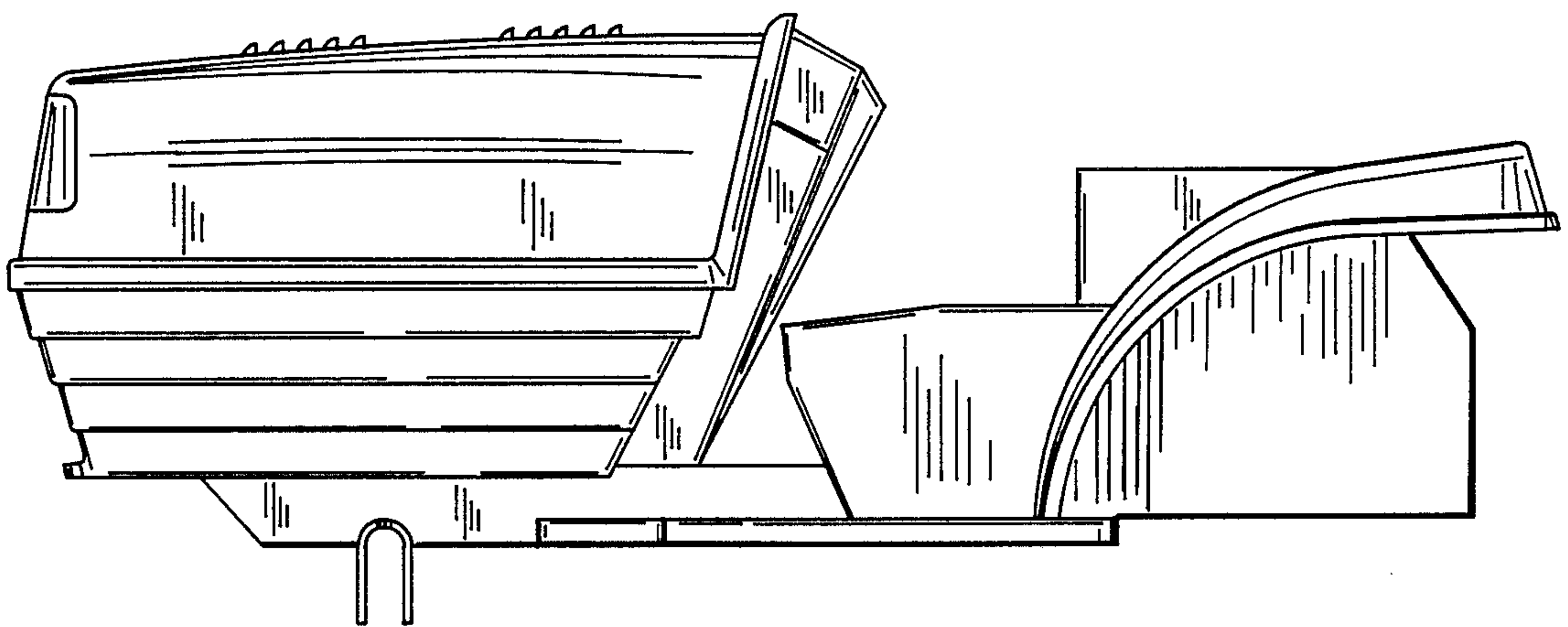


FIG. 2

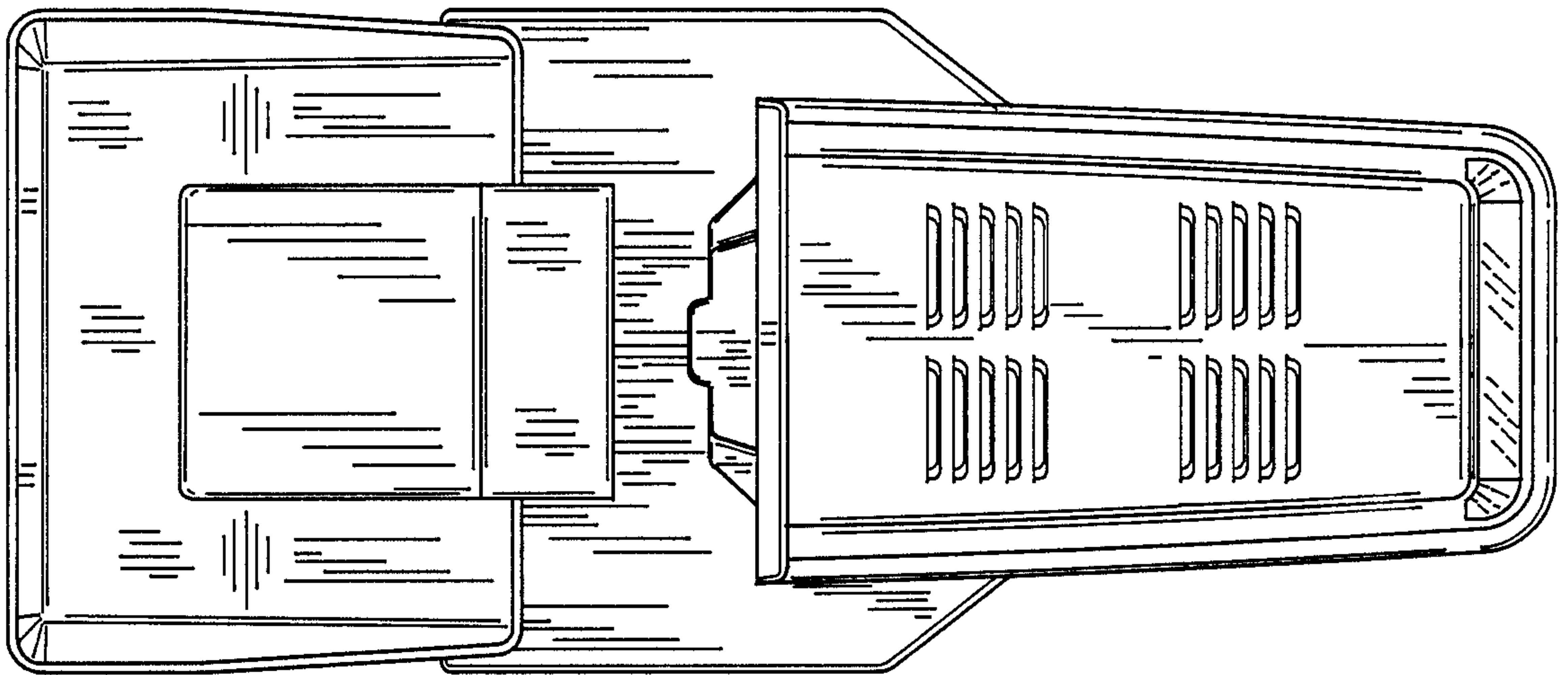


FIG. 3

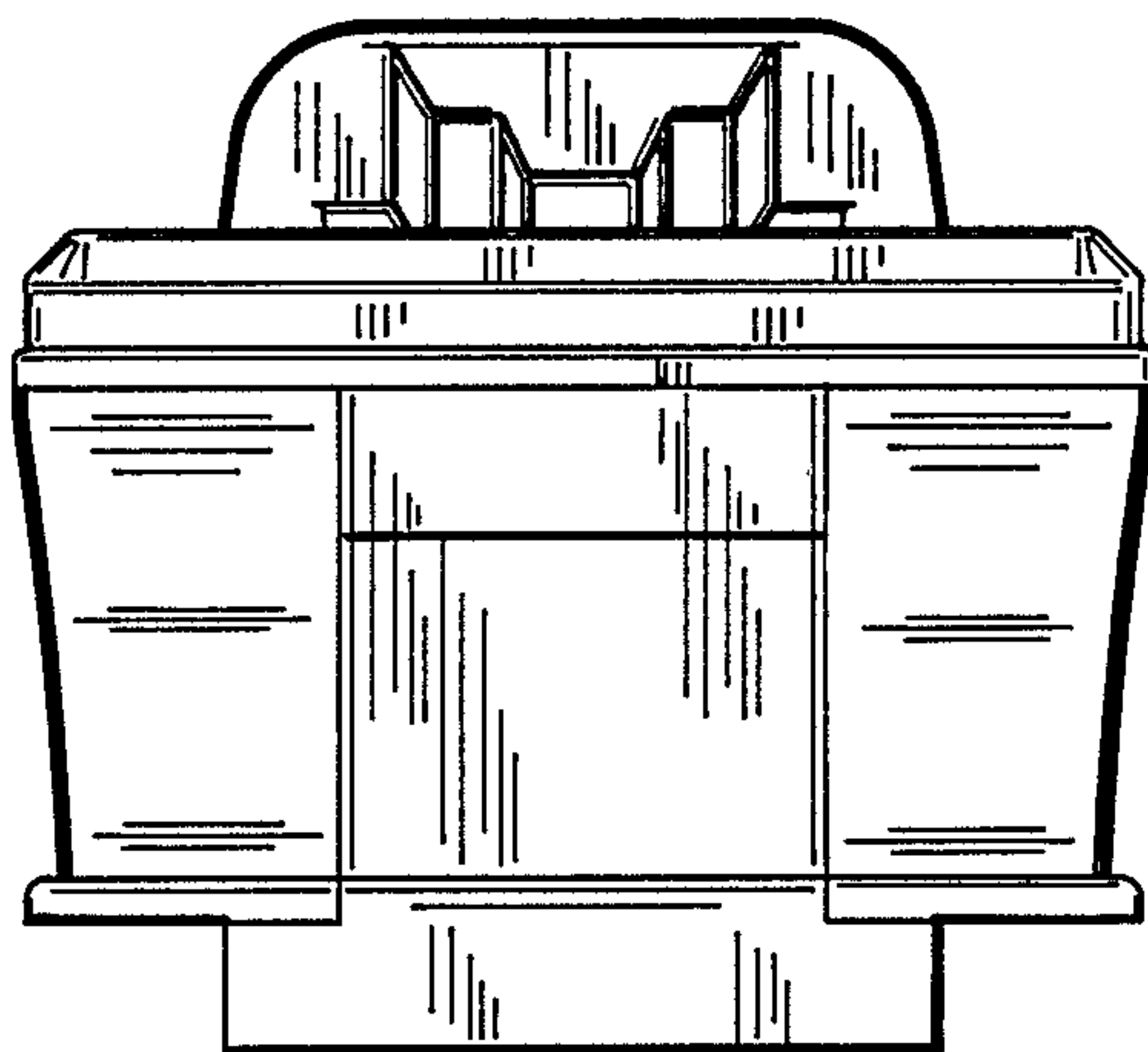


FIG. 4

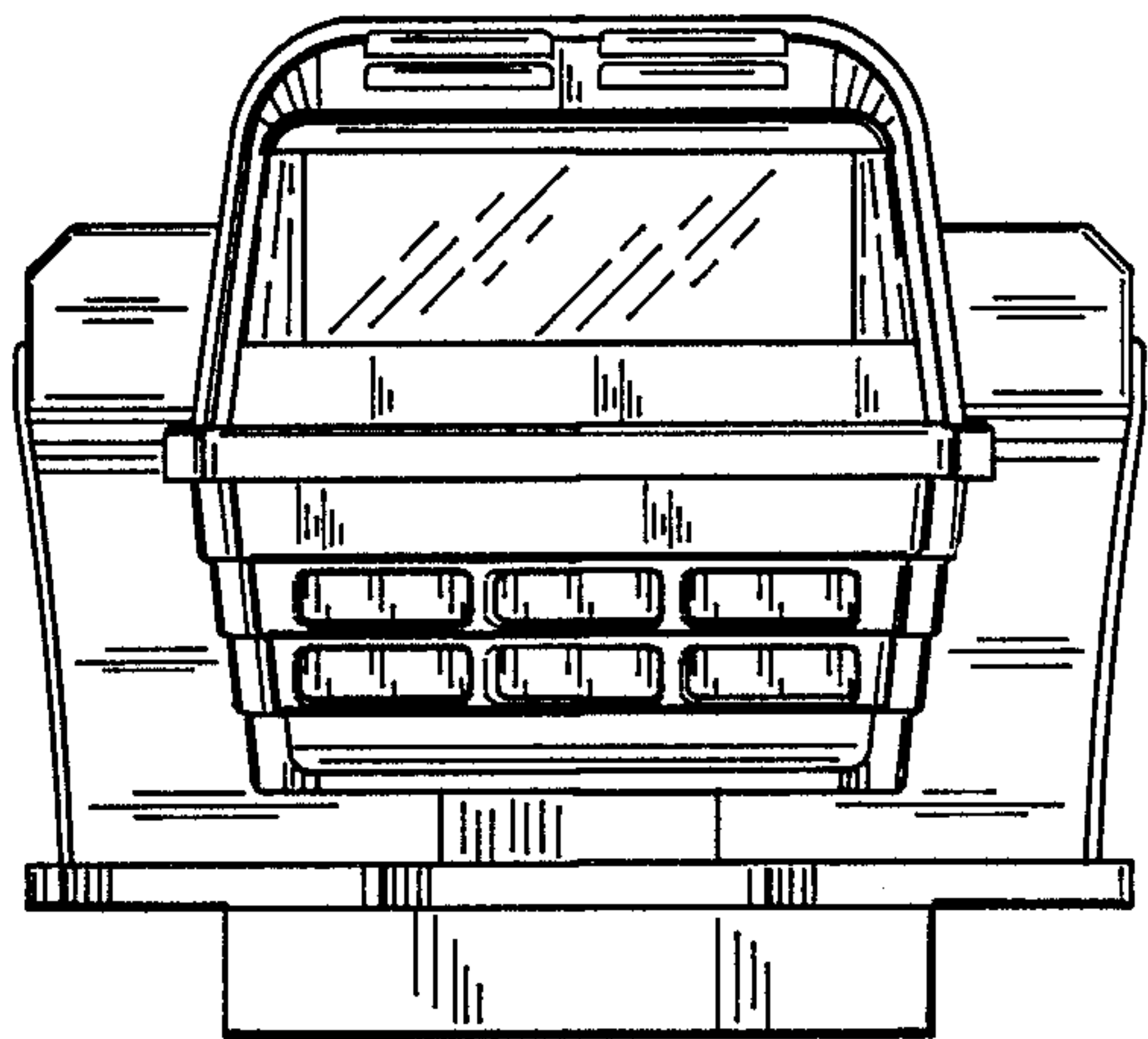


FIG. 5