

[54] CASSETTE TAPE RECORDER

[75] Inventors: Ichiro Hino, Rivervale, N.J.; Masayoshi Tsuchiya, Tokyo, Japan

[73] Assignee: Sony Corporation, Tokyo, Japan

[\*\*] Term: 14 Years

[21] Appl. No.: 113,718

[22] Filed: Oct. 28, 1987

[30] Foreign Application Priority Data

Apr. 30, 1987 [JP] Japan ..... 62-17044

[52] U.S. Cl. .... D14/165; D21/112

[58] Field of Search ..... D14/160-167, D14/199-203, 168, 169, 172, 188, 189, 191, 194, 195, 196, 299; D21/111, 112, 113

[56] References Cited

U.S. PATENT DOCUMENTS

- D. 216,374 12/1969 Yran ..... D14/195 X
- D. 244,718 6/1977 Emmerling ..... D14/196
- D. 253,822 1/1980 Hamada et al. .... D14/195
- D. 267,662 1/1983 Lambert et al. .... D14/165 X
- D. 277,474 2/1985 Miura ..... D14/165
- D. 290,843 7/1987 Murphy ..... D14/168

OTHER PUBLICATIONS

Hong Kong Enterprise, 9/85, p. 22, left-Models 826 and 862.

Stereo Discounters Electronic World Catalog, p. 30, bottom right-Dual Impedance Uni-directional Microphone.

Primary Examiner—Theodore M. Shooman  
Attorney, Agent, or Firm—Lewis H. Eslinger; Jay H. Maioli

[57] CLAIM

The ornamental design for a cassette tape recorder, as shown and described.

DESCRIPTION

FIG. 1 is a front and left-side perspective view of a cassette tape recorder, showing our new design; FIG. 2 is a front and left-side perspective view thereof; FIG. 3 is a front elevational view thereof; FIG. 4 is a rear elevational view thereof; FIG. 5 is a right-side elevational view thereof; FIG. 6 is a left-side elevational view thereof; FIG. 7 is a top plan view thereof; and FIG. 8 is a bottom plan view thereof. The broken line showing of the microphone in FIG. 2 is for illustrative purposes only and forms no part of the claimed design.

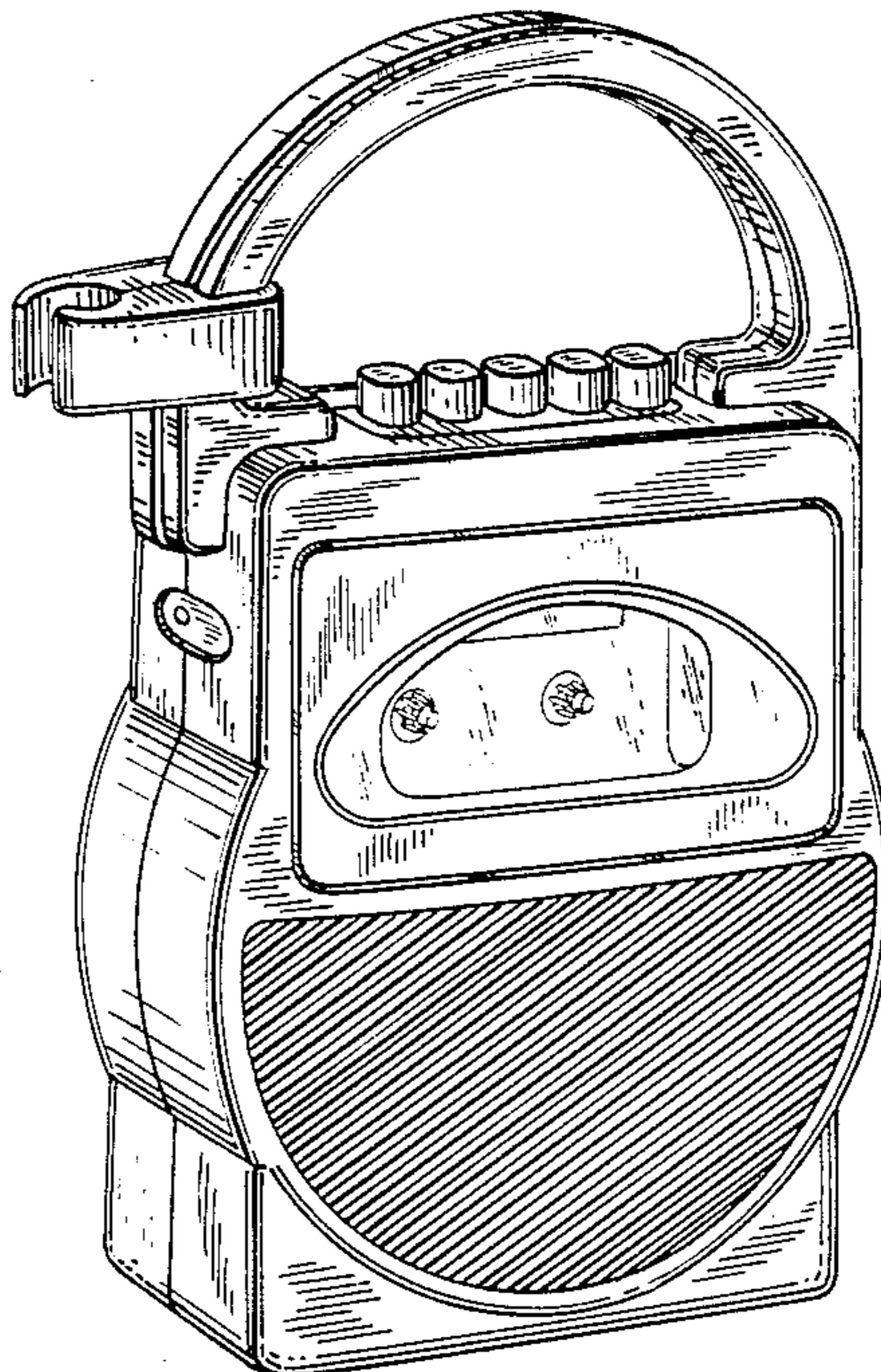


FIG. 2

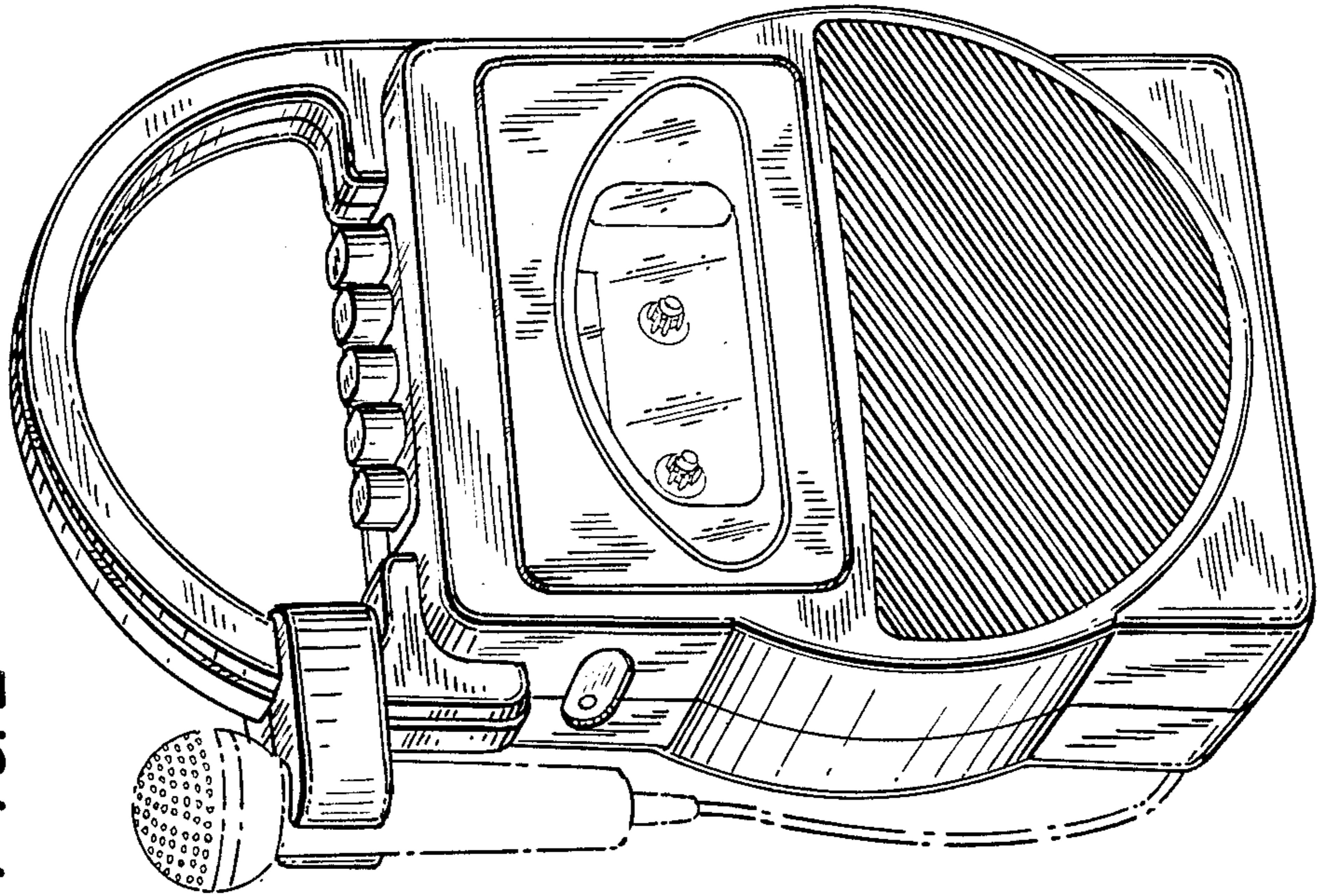
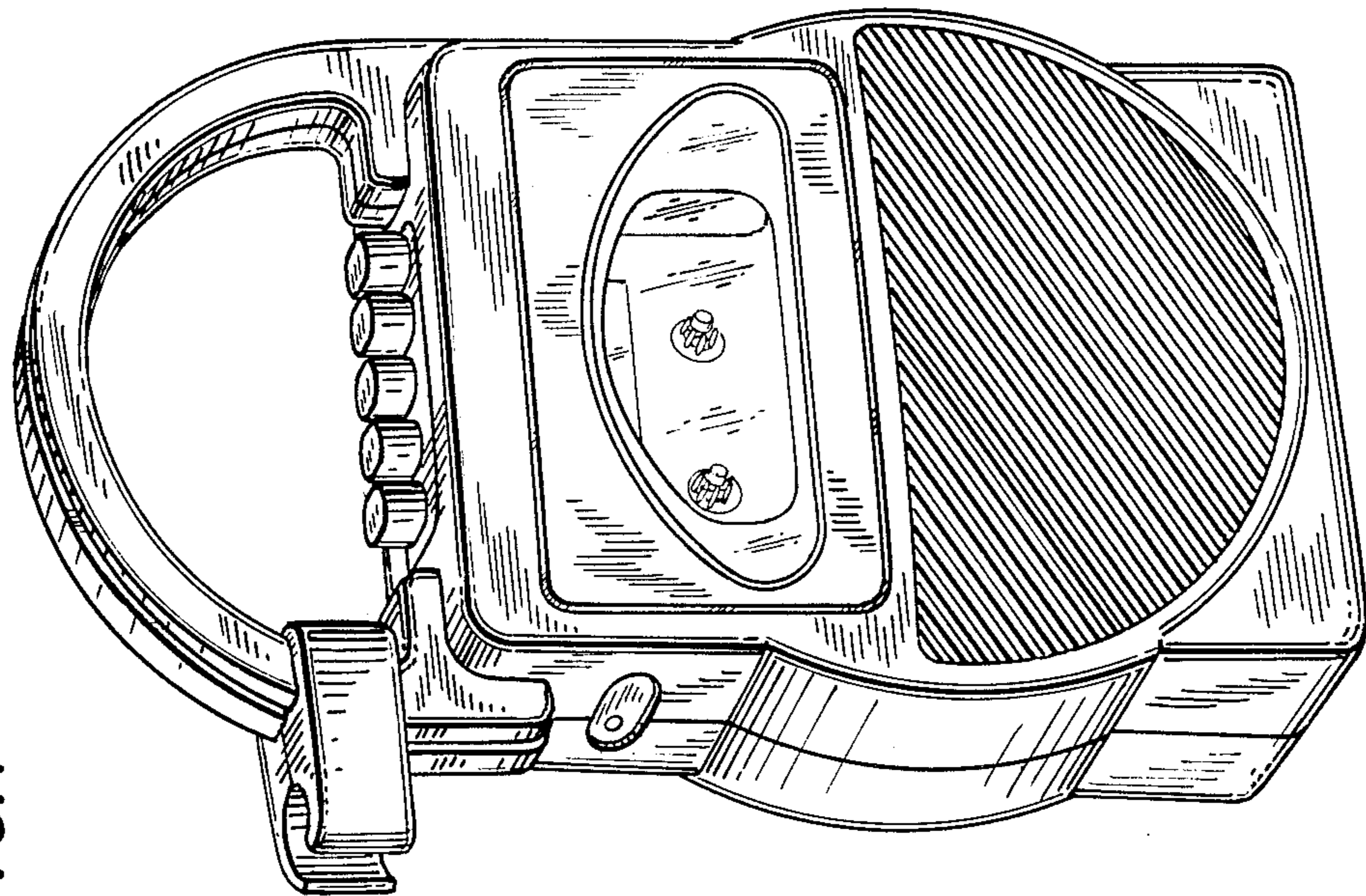


FIG. 1





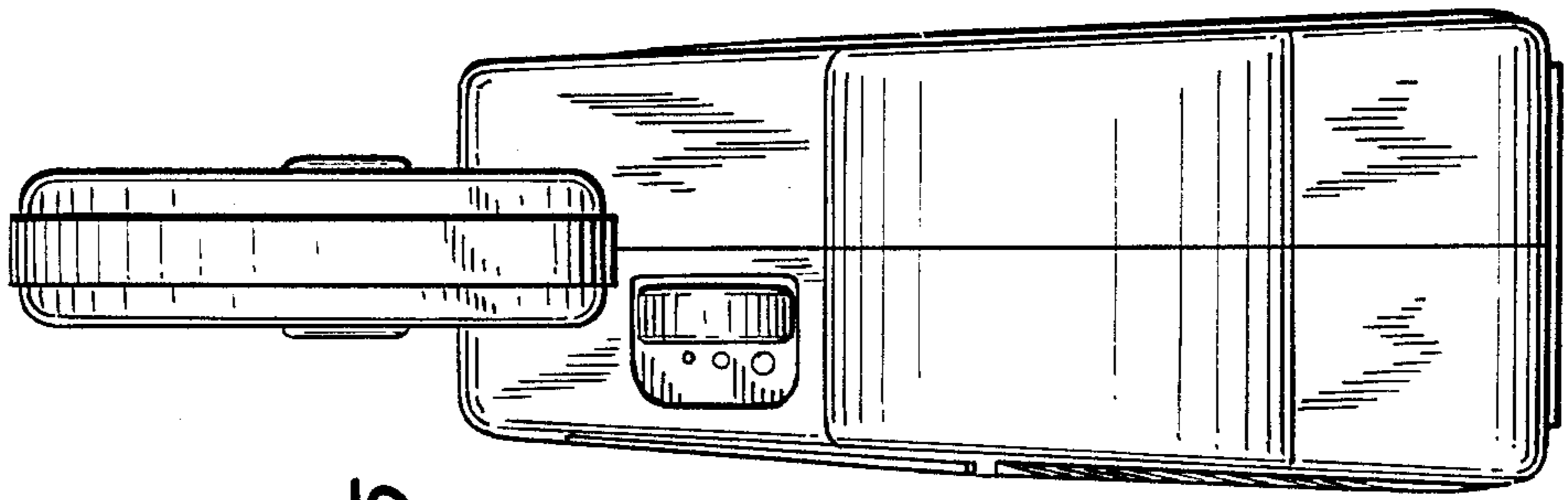


FIG. 5

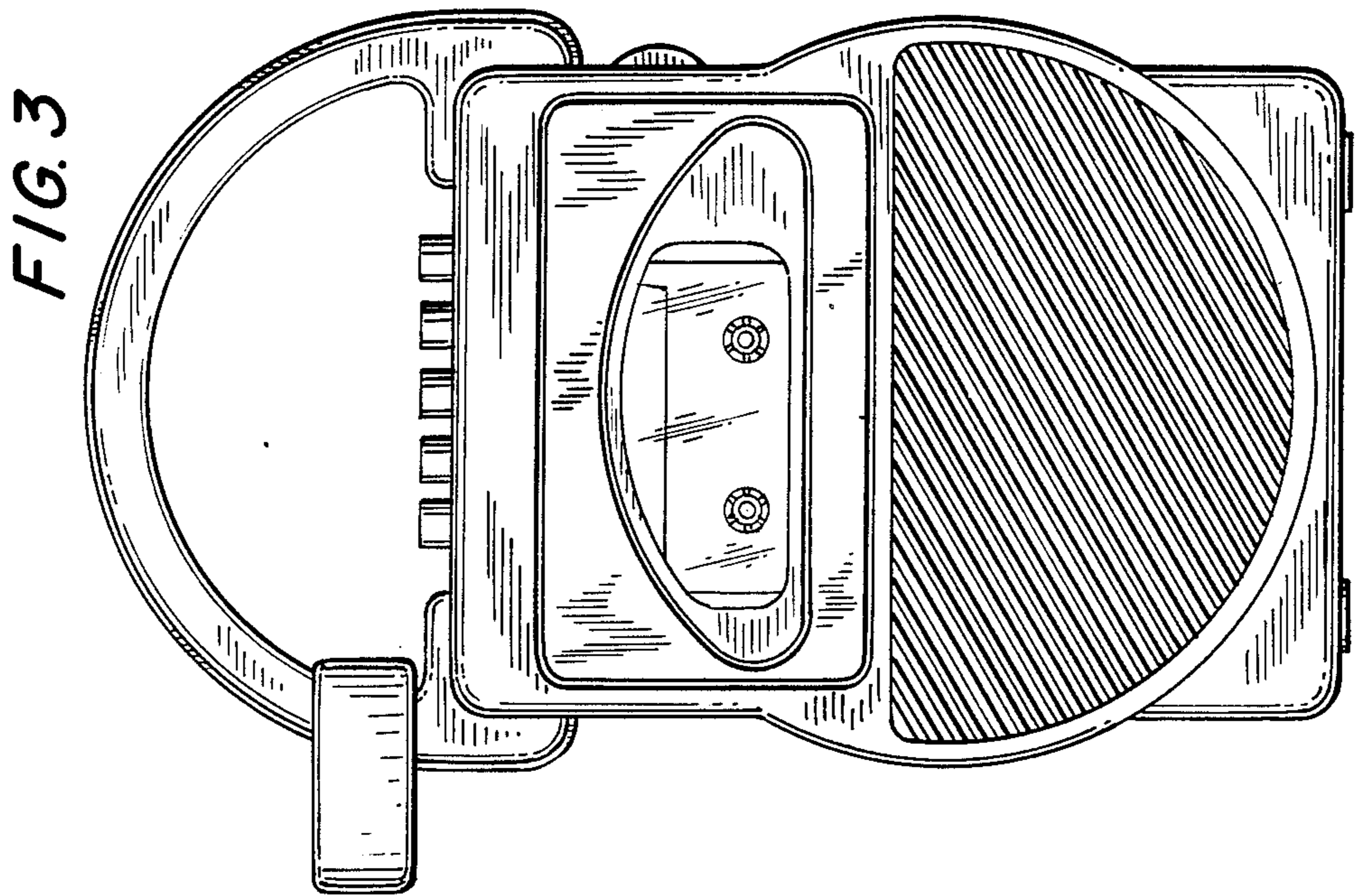


FIG. 3

FIG. 4

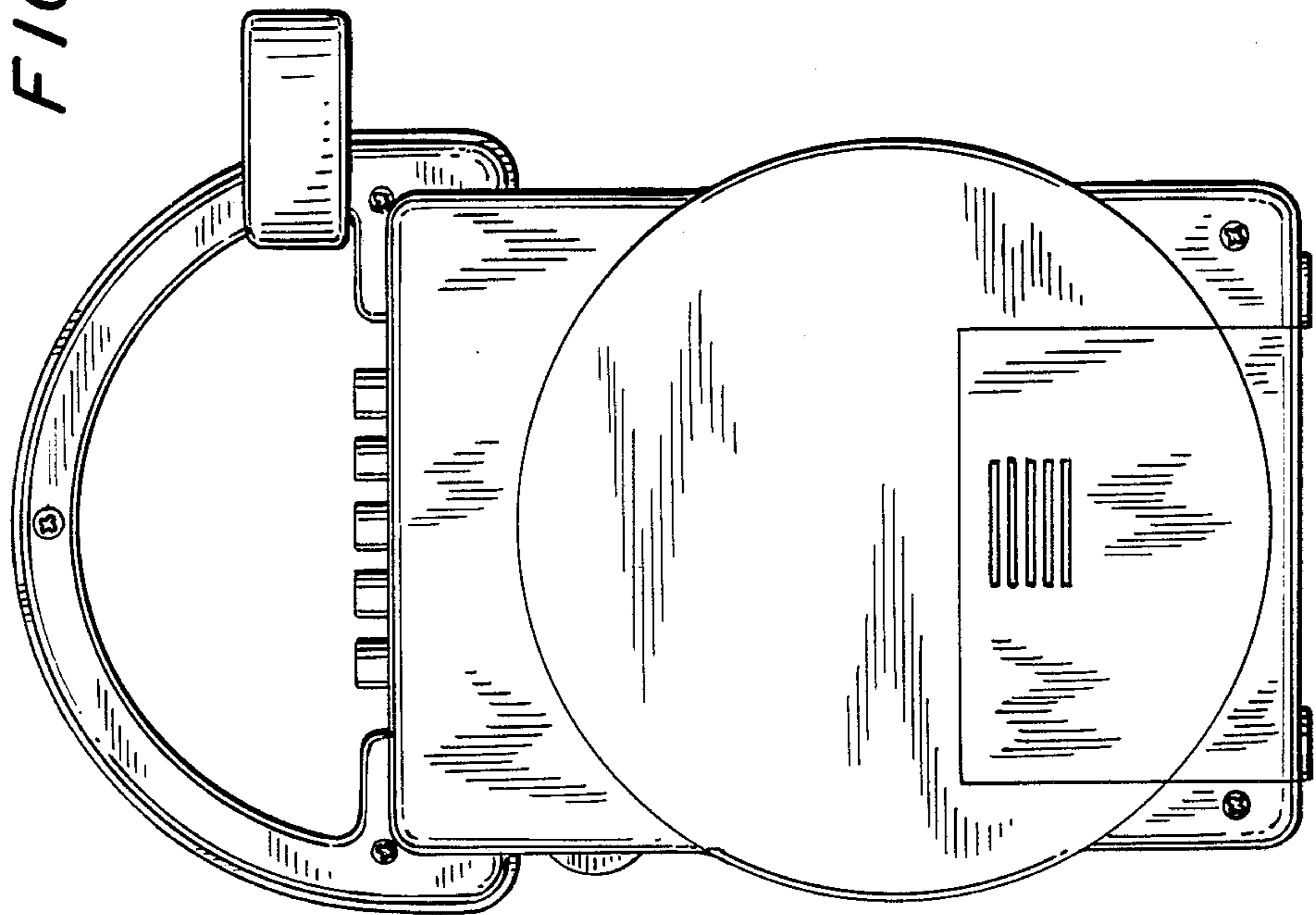
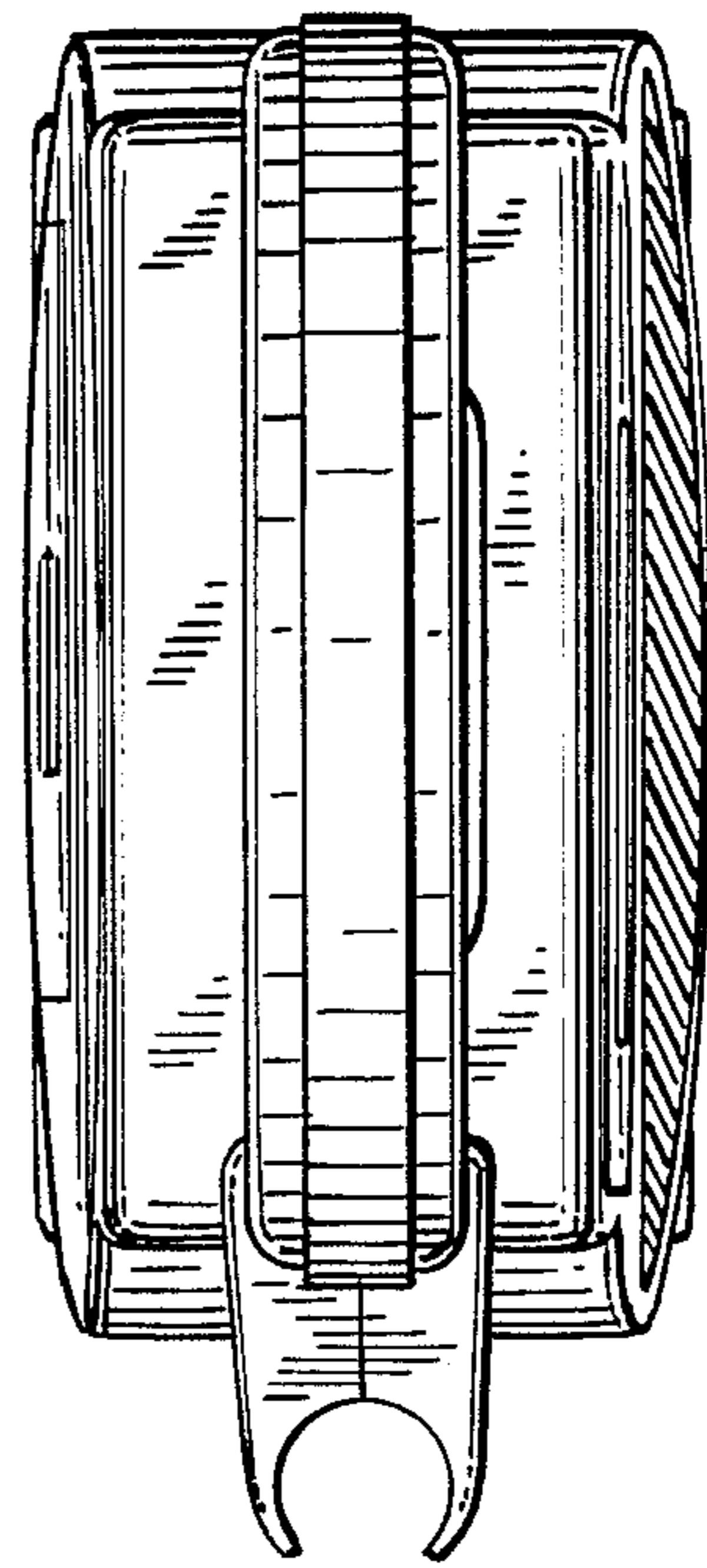


FIG. 7



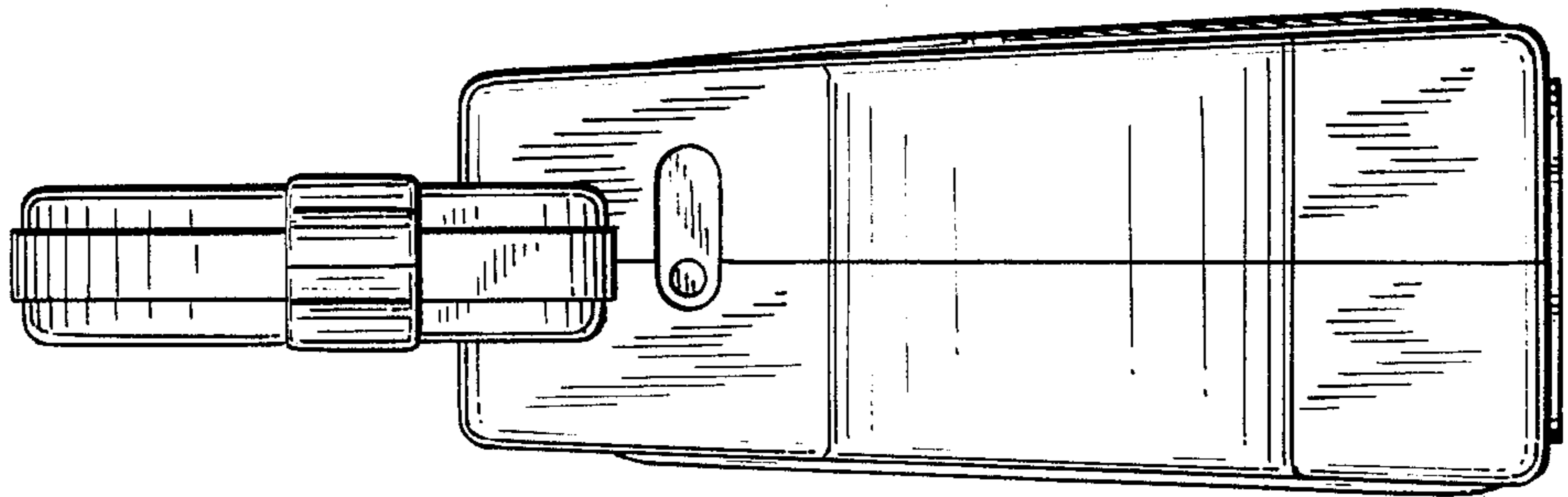


FIG. 6

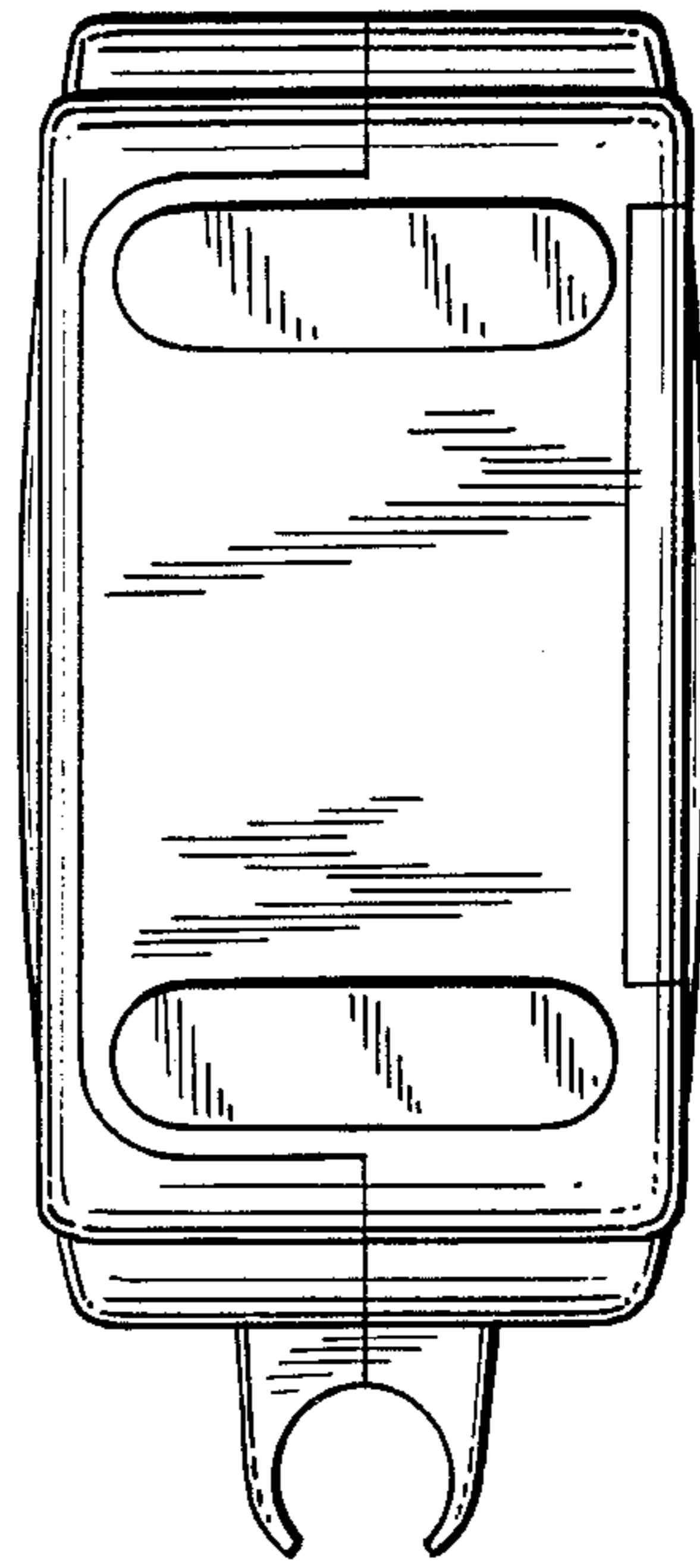


FIG. 8