

[54] **DISPLAY**

[75] **Inventor: Mario Bellini, Milan, Italy**

[73] **Assignee: Ing. C. Olivetti & C., S.p.A., Ivrea, Italy**

[\*\*] **Term: 14 Years**

[21] **Appl. No.: 243,015**

[22] **Filed: Sep. 12, 1988**

[30] **Foreign Application Priority Data**

Mar. 15, 1988 [IT] Italy ..... 52973/88[U]

[52] **U.S. Cl. .... D14/113**

[58] **Field of Search** ..... D14/100, 101, 102, 103,  
D14/105-107, 113, 115, 126; D18/1, 7, 11, 12;  
340/700, 706, 711, 712; 341/22, 23; 358/249,  
254; 364/706-710

[56] **References Cited**

**U.S. PATENT DOCUMENTS**

D. 249,344 9/1978 Zierhut ..... D14/113  
D. 278,809 5/1985 McLaughlin ..... D14/113  
D. 283,027 3/1986 Gundogan ..... D14/113  
D. 303,379 9/1989 Giannotti, Jr. et al. .... D14/113

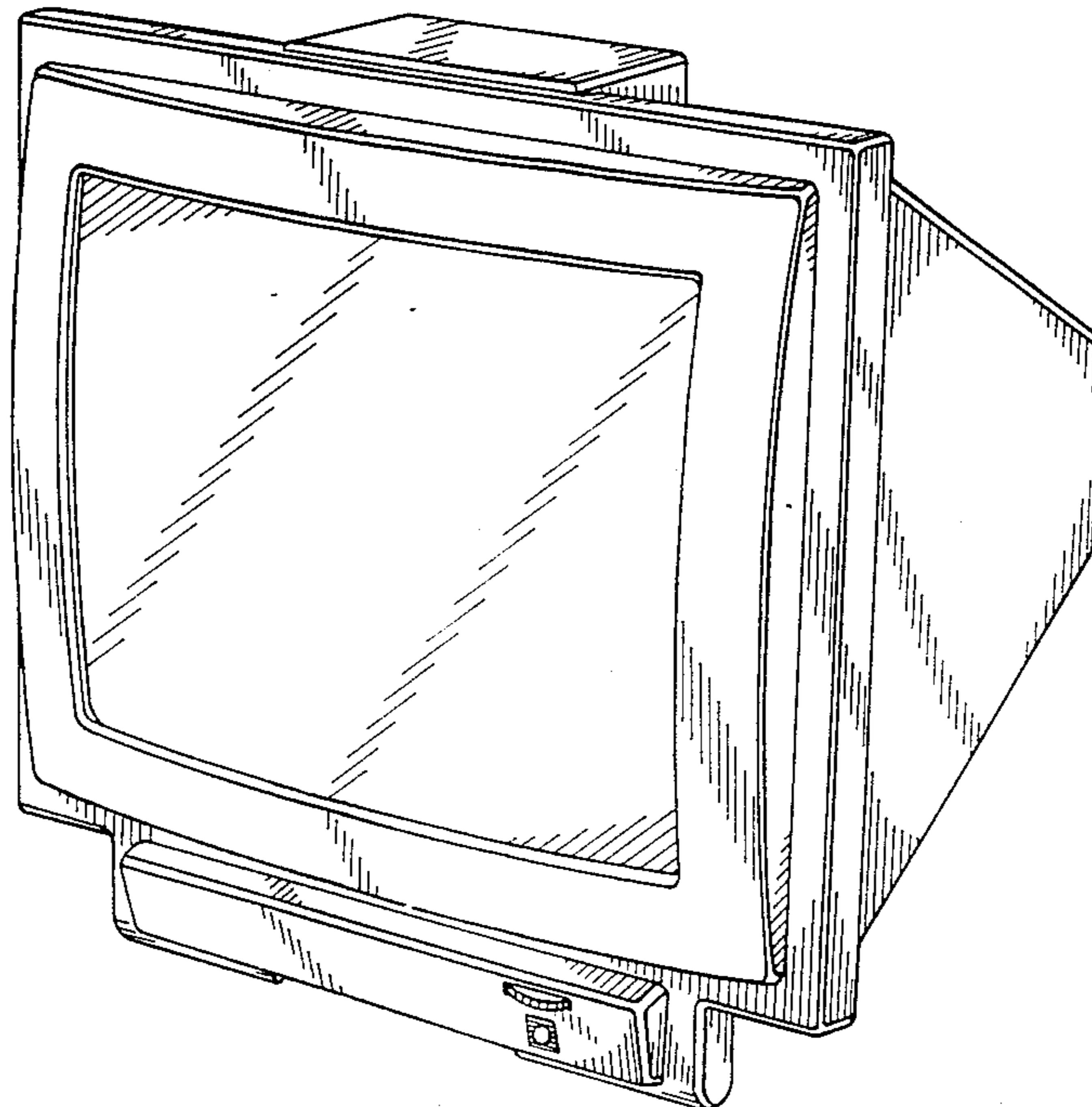
*Primary Examiner*—Susan J. Lucas  
*Assistant Examiner*—Freda S. Nunn  
*Attorney, Agent, or Firm*—Banner, Birch, McKie & Beckett

[57] **CLAIM**

The ornamental design for a display, as shown and described.

**DESCRIPTION**

FIG. 1 is a top, front and left side perspective view of a display showing my new design;  
FIG. 2 is a top rear and left side perspective view thereof;  
FIG. 3 is a right side elevational view thereof, the left side being a mirror image;  
FIG. 4 is a top plan view thereof; and  
FIG. 5 is a bottom plan view thereof.



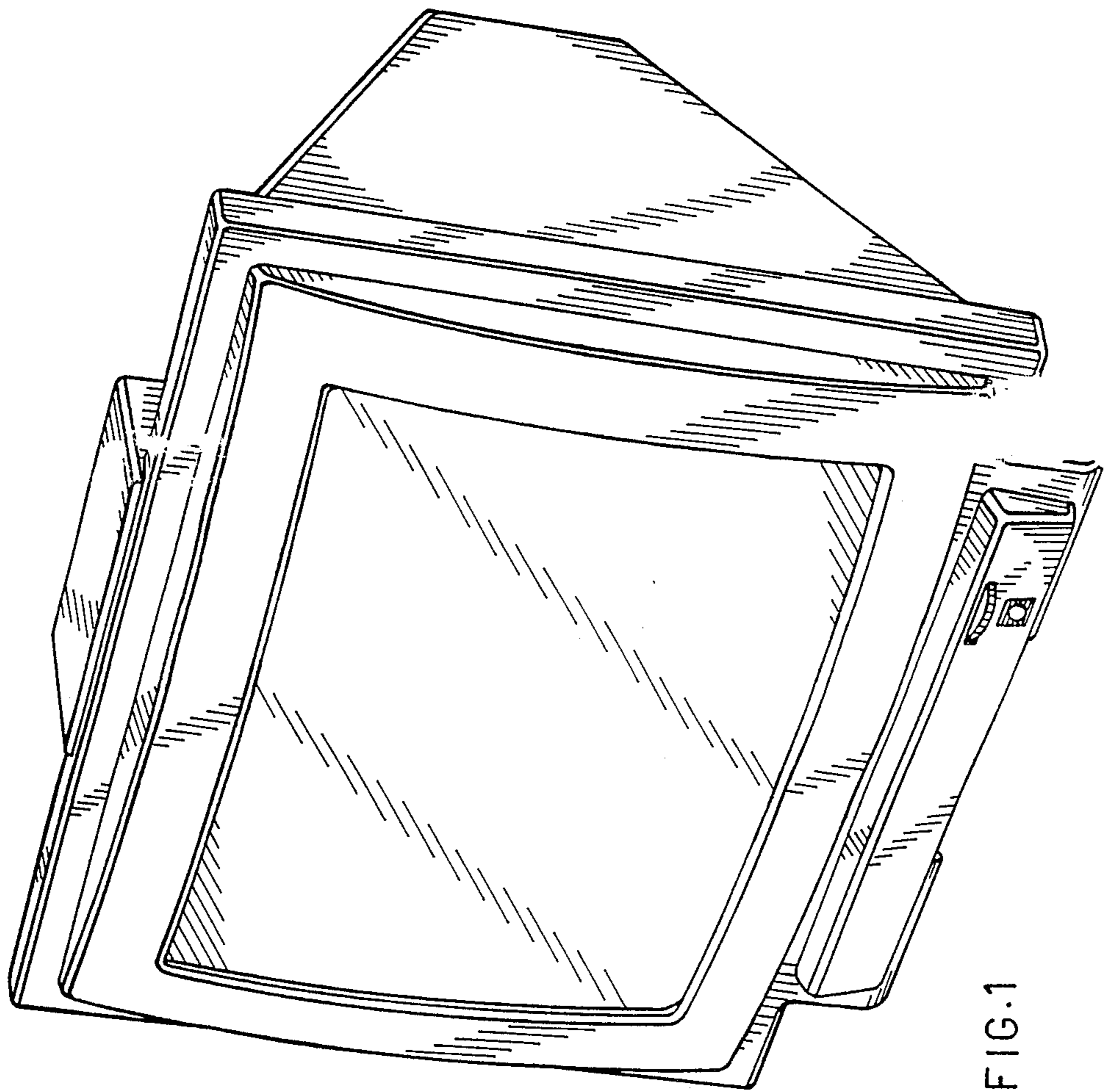


FIG. 1

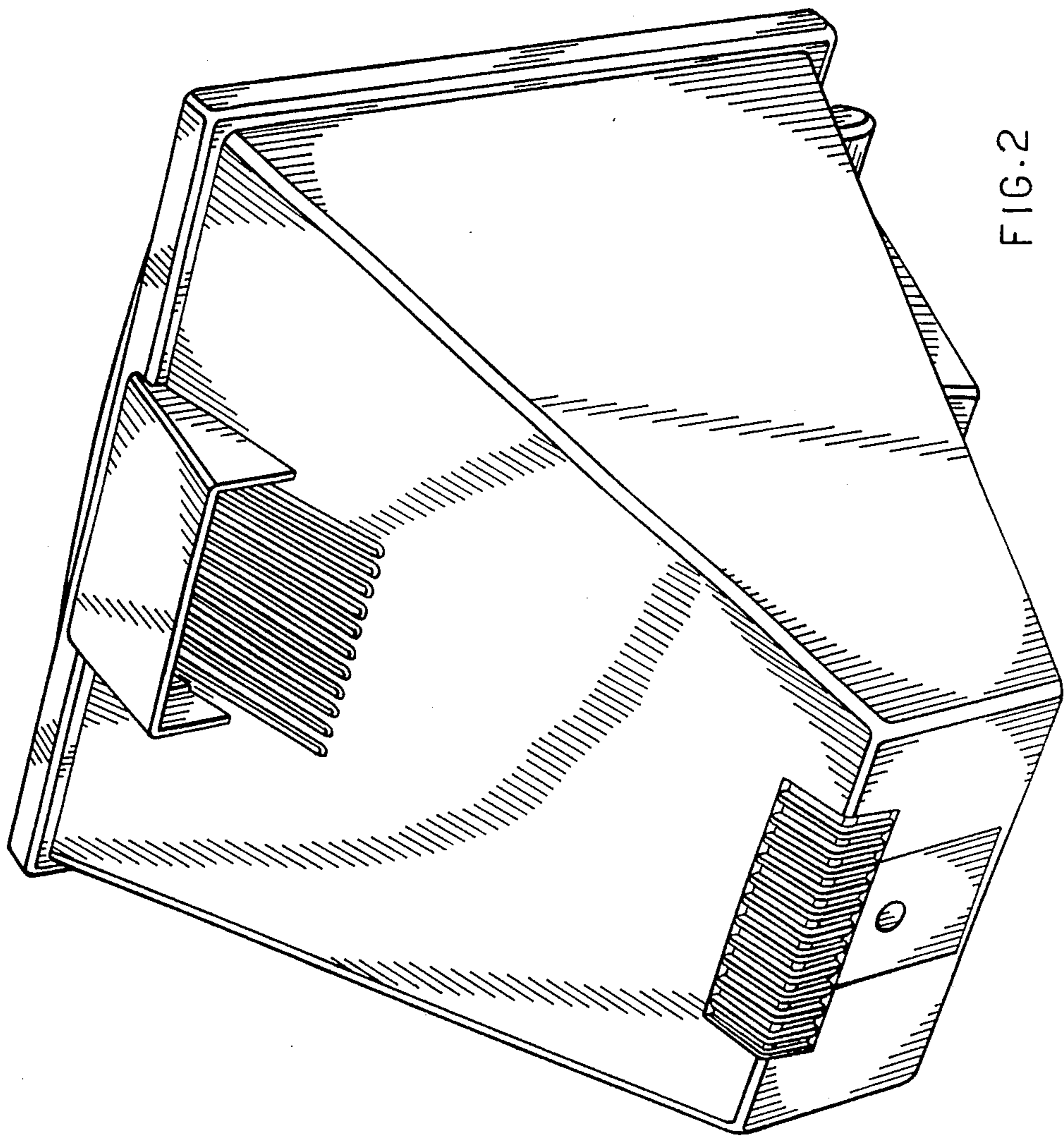


FIG. 2

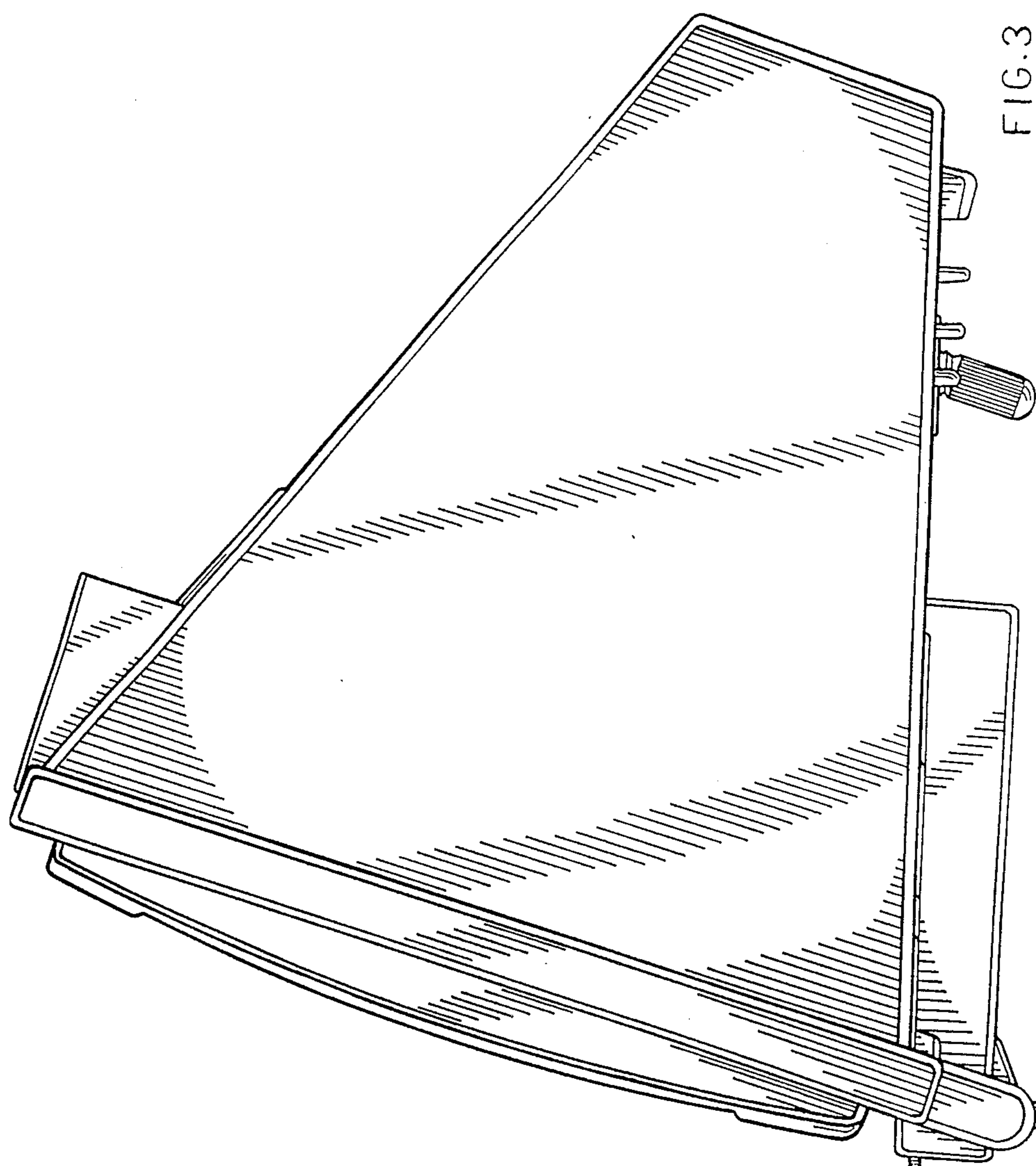


FIG. 3

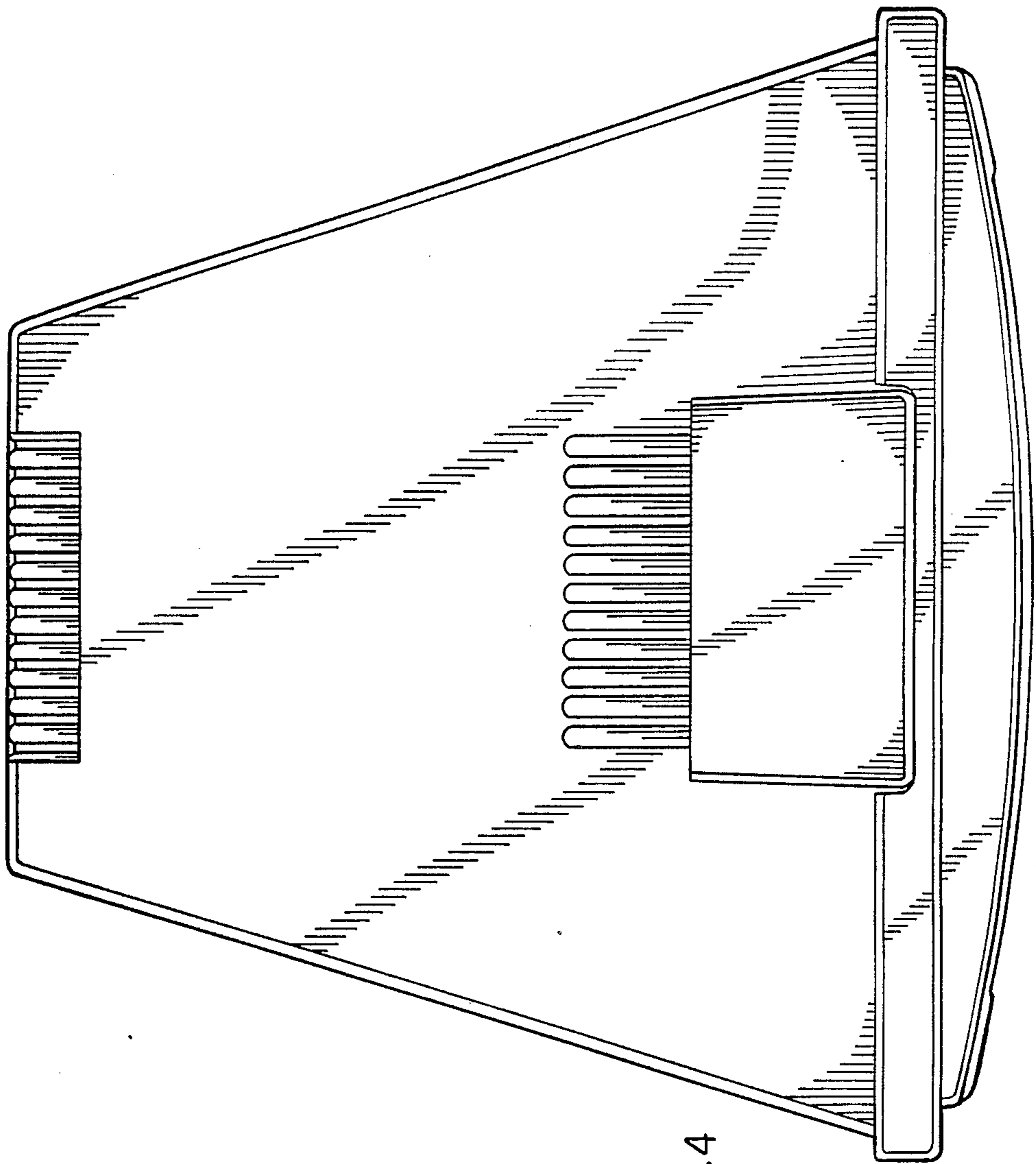


FIG.4

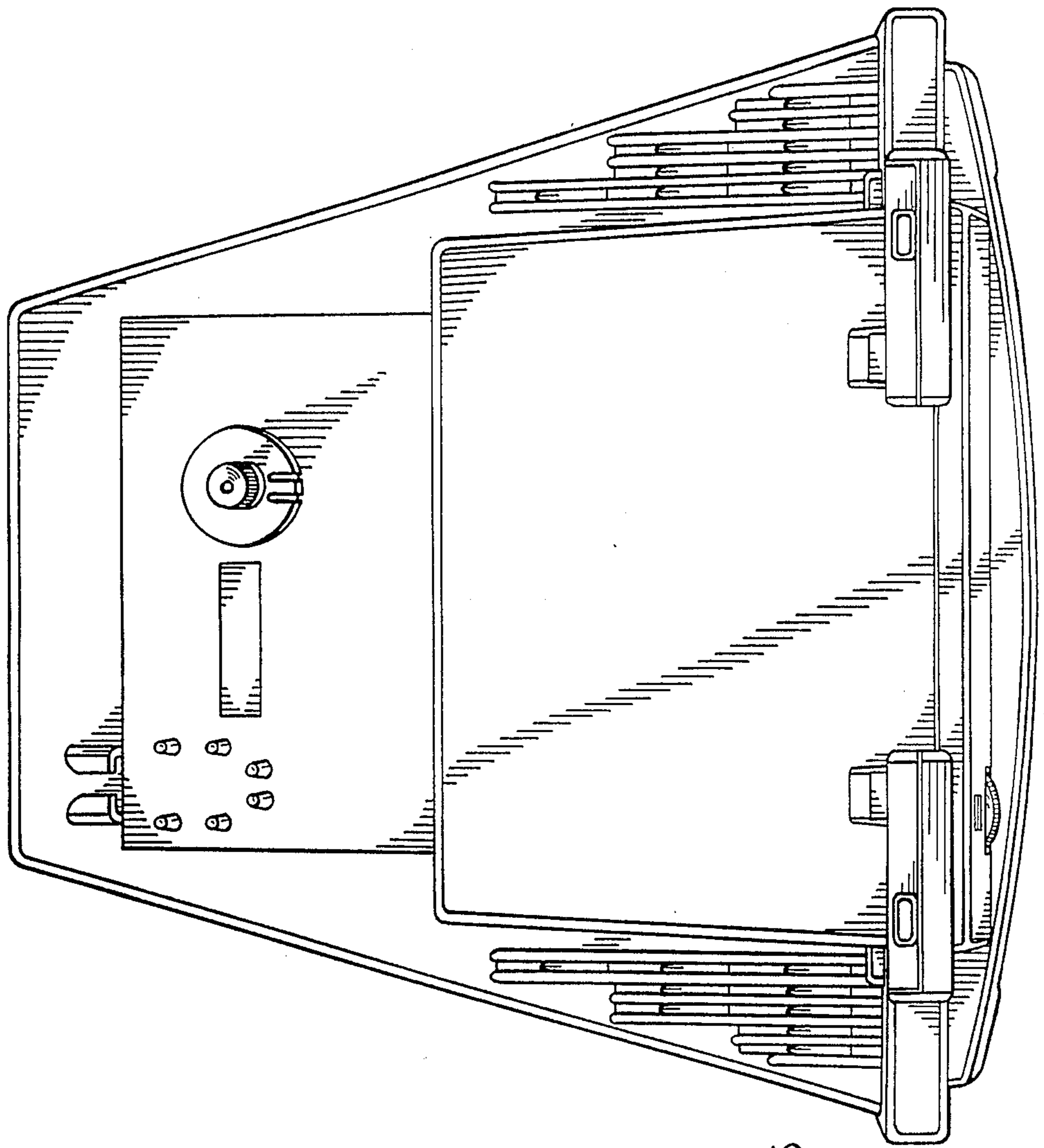


FIG. 5