

[54] **HOUSING FOR AN ELECTRICAL CONNECTOR**

[75] **Inventors: Shigemitsu Inaba; Kiyohito Fukuda; Masakuni Samejima, all of Shizuoka, Japan**

[73] **Assignee: Yazaki Corporation, Japan**

[**] **Term: 14 Years**

[21] **Appl. No.: 192,425**

[22] **Filed: May 10, 1988**

[30] **Foreign Application Priority Data**

Nov. 10, 1987 [JP]	Japan	62-45643
[52] U.S. Cl.		D13/146
[58] Field of Search	D13/24, 30; 439/660, 439/682, 685	

[56] **References Cited**

U.S. PATENT DOCUMENTS

D. 251,491	4/1979	Snyder, Jr. et al.	D13/24
D. 294,142	2/1988	Kuwano et al.	D13/24
4,513,356	4/1985	Mikola	439/550

Primary Examiner—Susan J. Lucas
Assistant Examiner—Joel Sincavage
Attorney, Agent, or Firm—Jones, Askew & Lunsford

[57] **CLAIM**

The ornamental design for a housing for an electrical connector, as shown and described.

DESCRIPTION

FIG. 1 is a perspective view of our housing for an electrical connector.
 FIG. 2 is a front elevation view thereof.
 FIG. 3 is a right elevation view thereof, the left being a mirror image.
 FIG. 4 is a top plan view thereof.
 FIG. 5 is a rear elevation view thereof.
 FIG. 6 is a bottom plan view thereof.
 FIG. 7 is a section view taken along line 7—7 of FIG. 3;
 FIG. 8 is a section view taken along line 8—8 of FIG. 3.

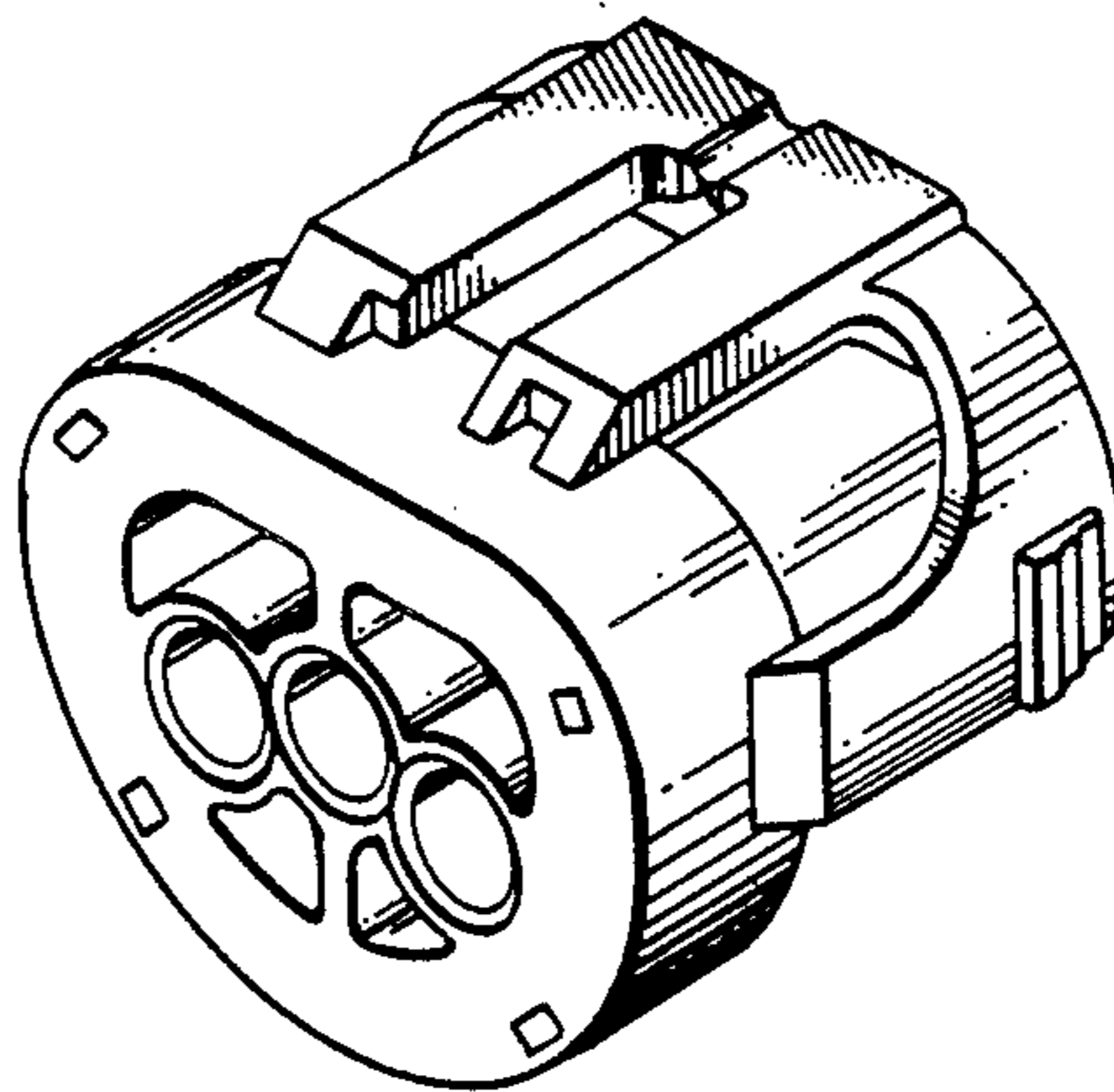


Fig. 1

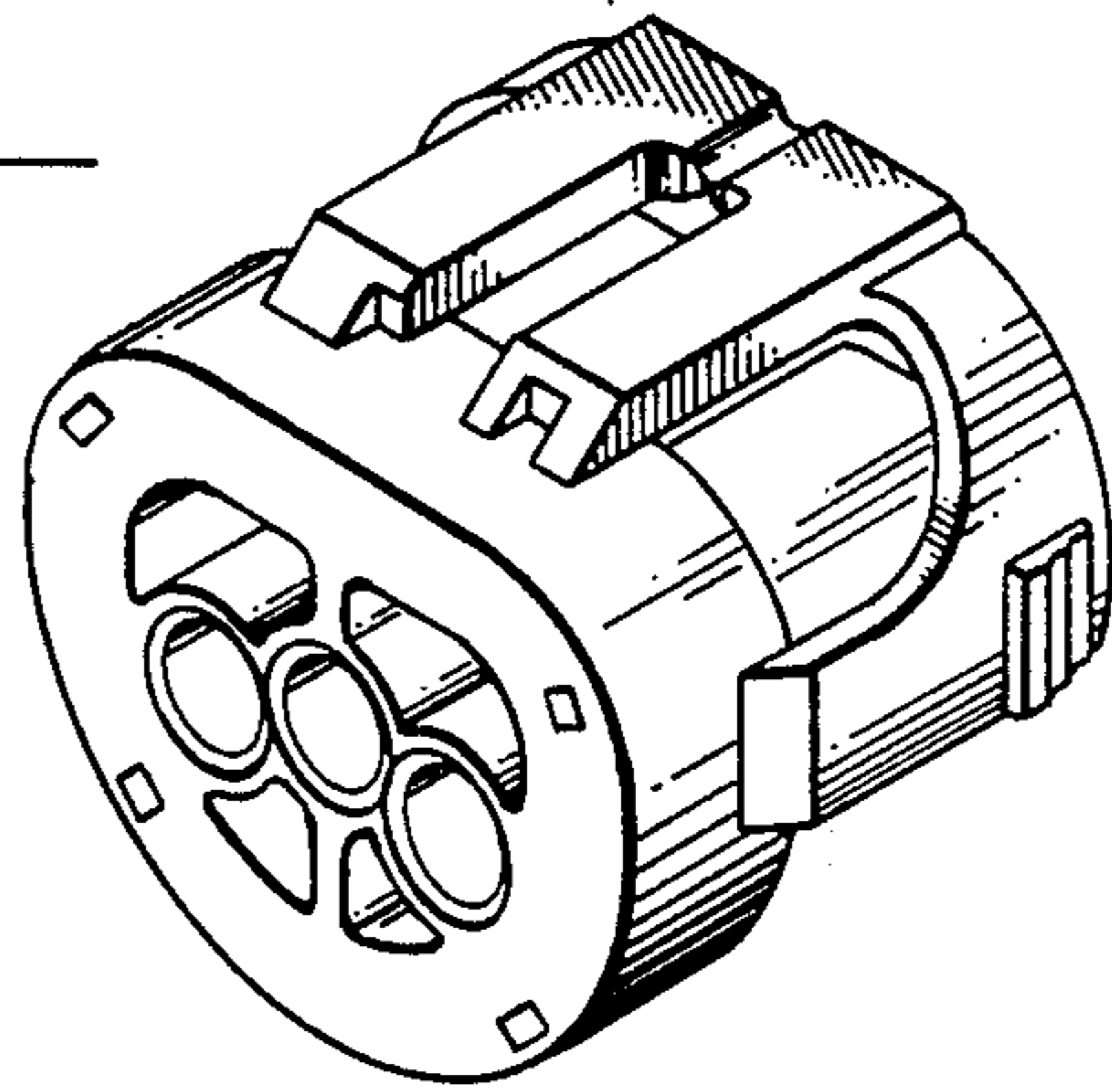


Fig. 2

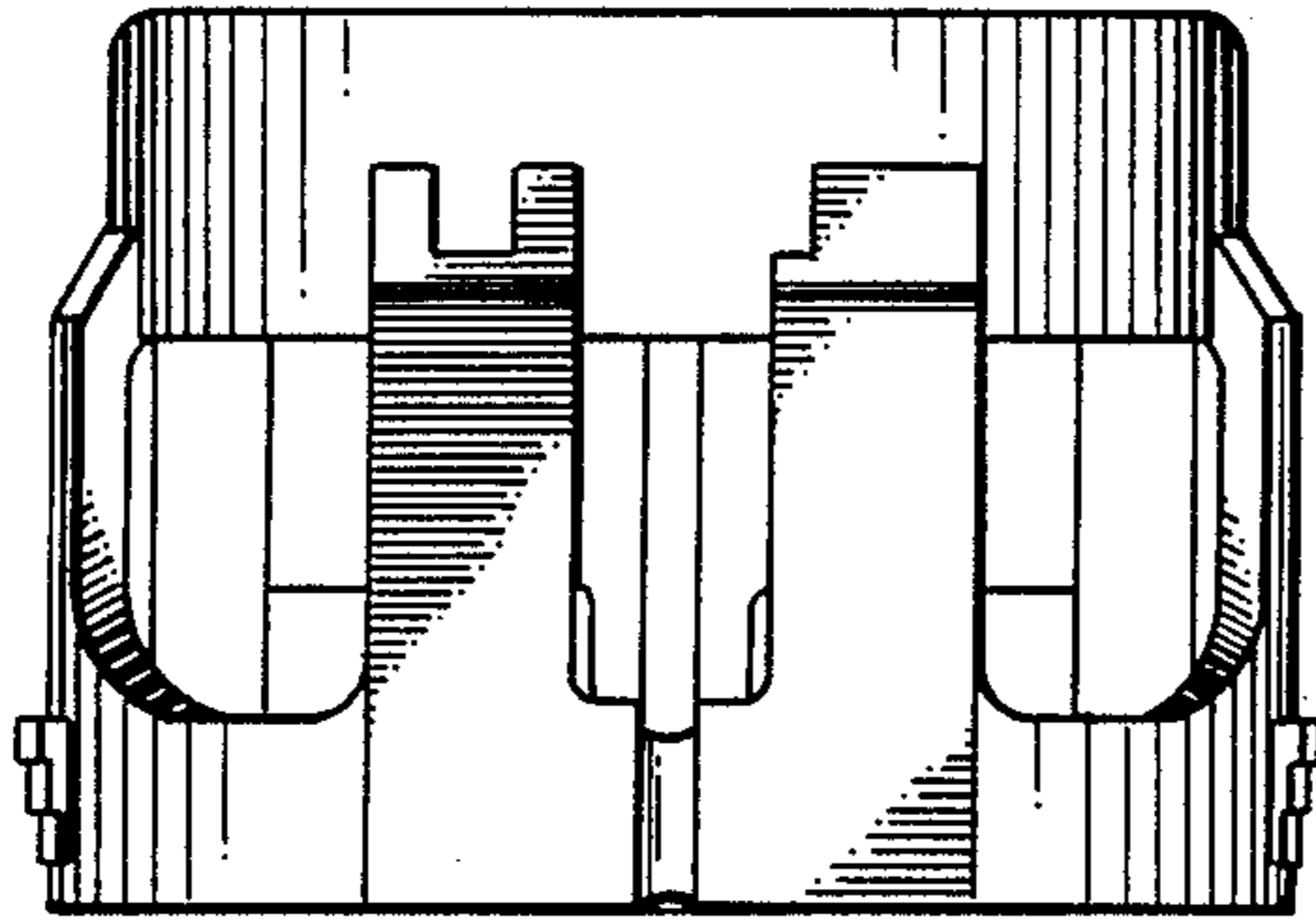


Fig. 3

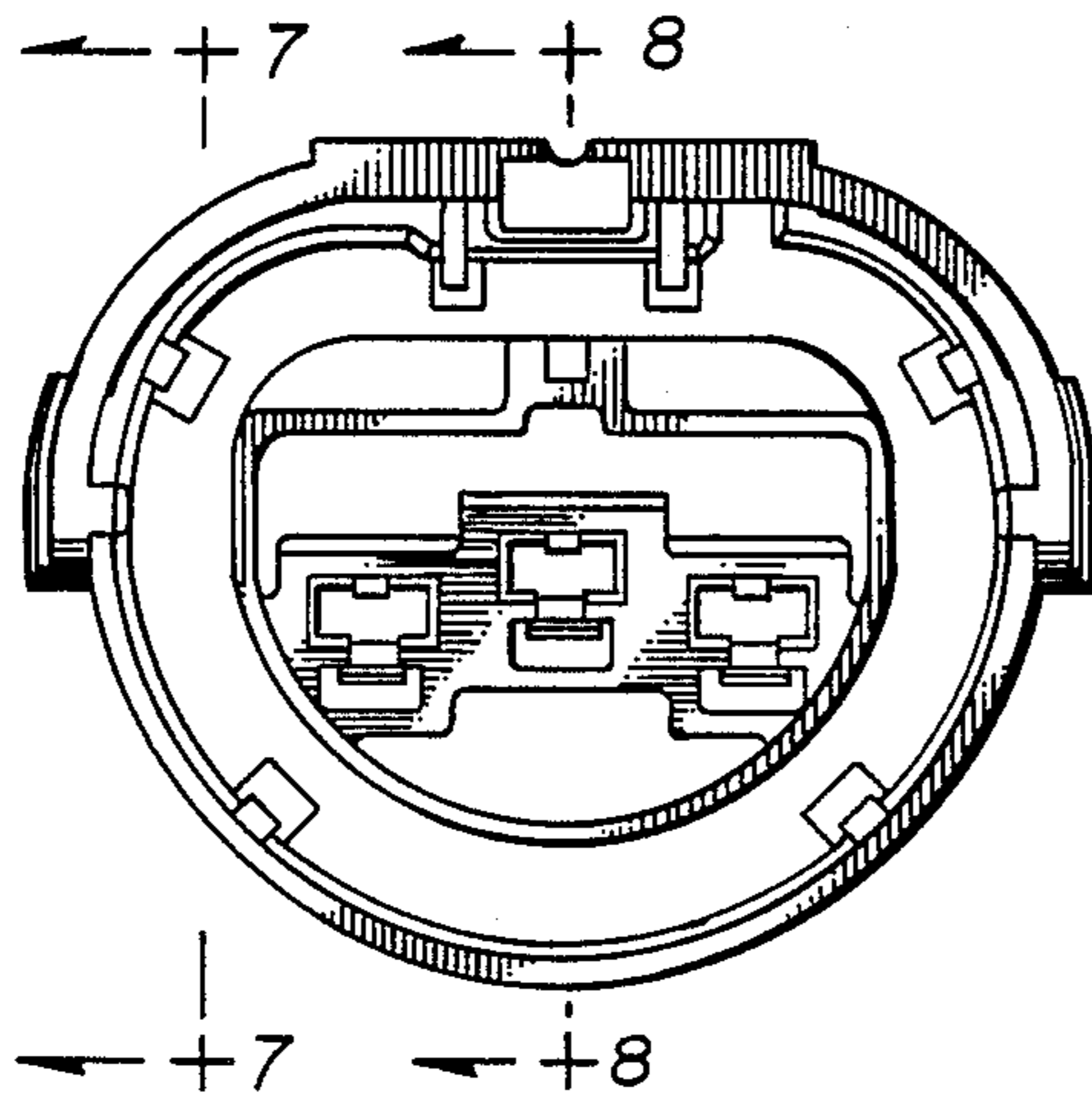
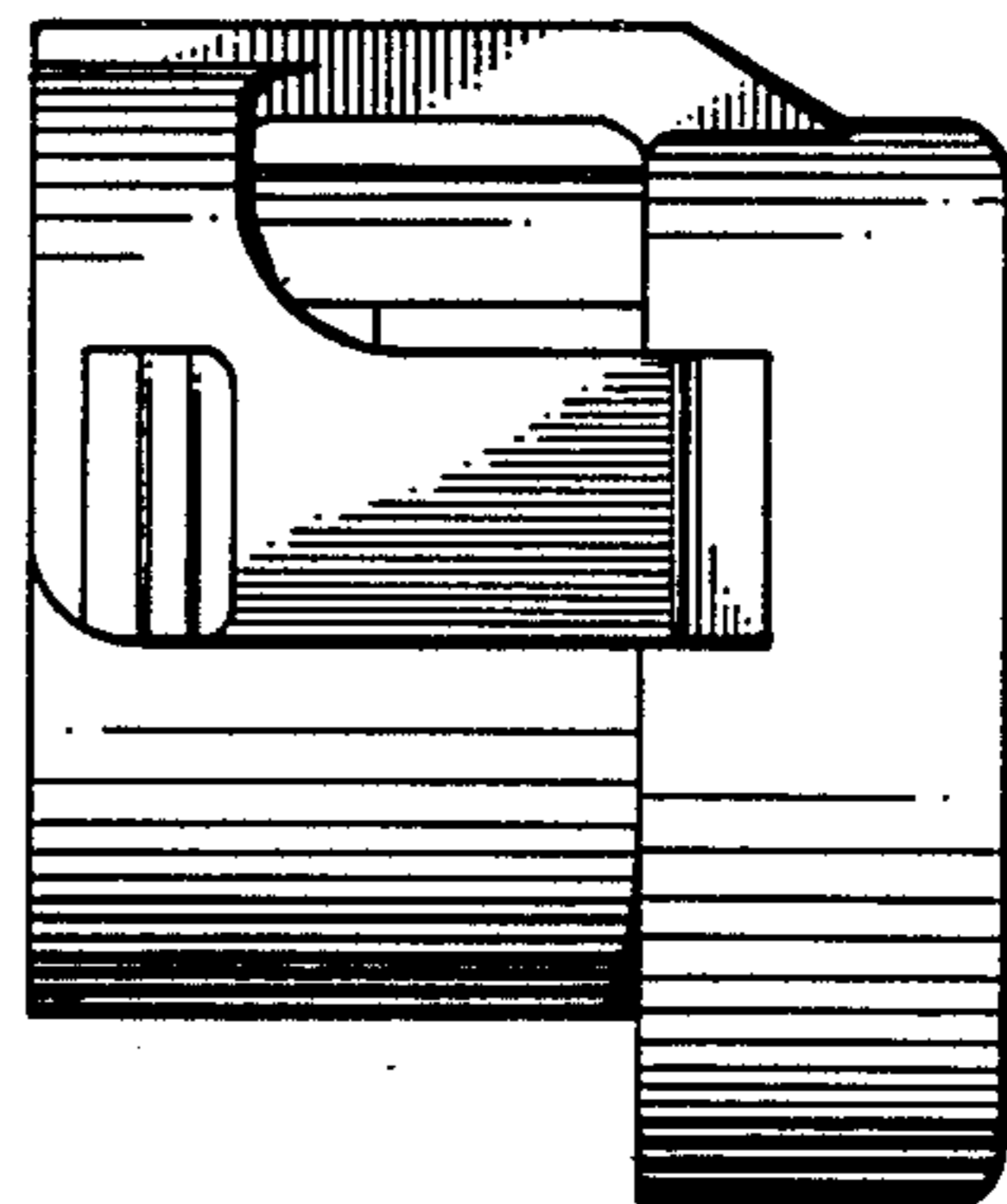


Fig. 4



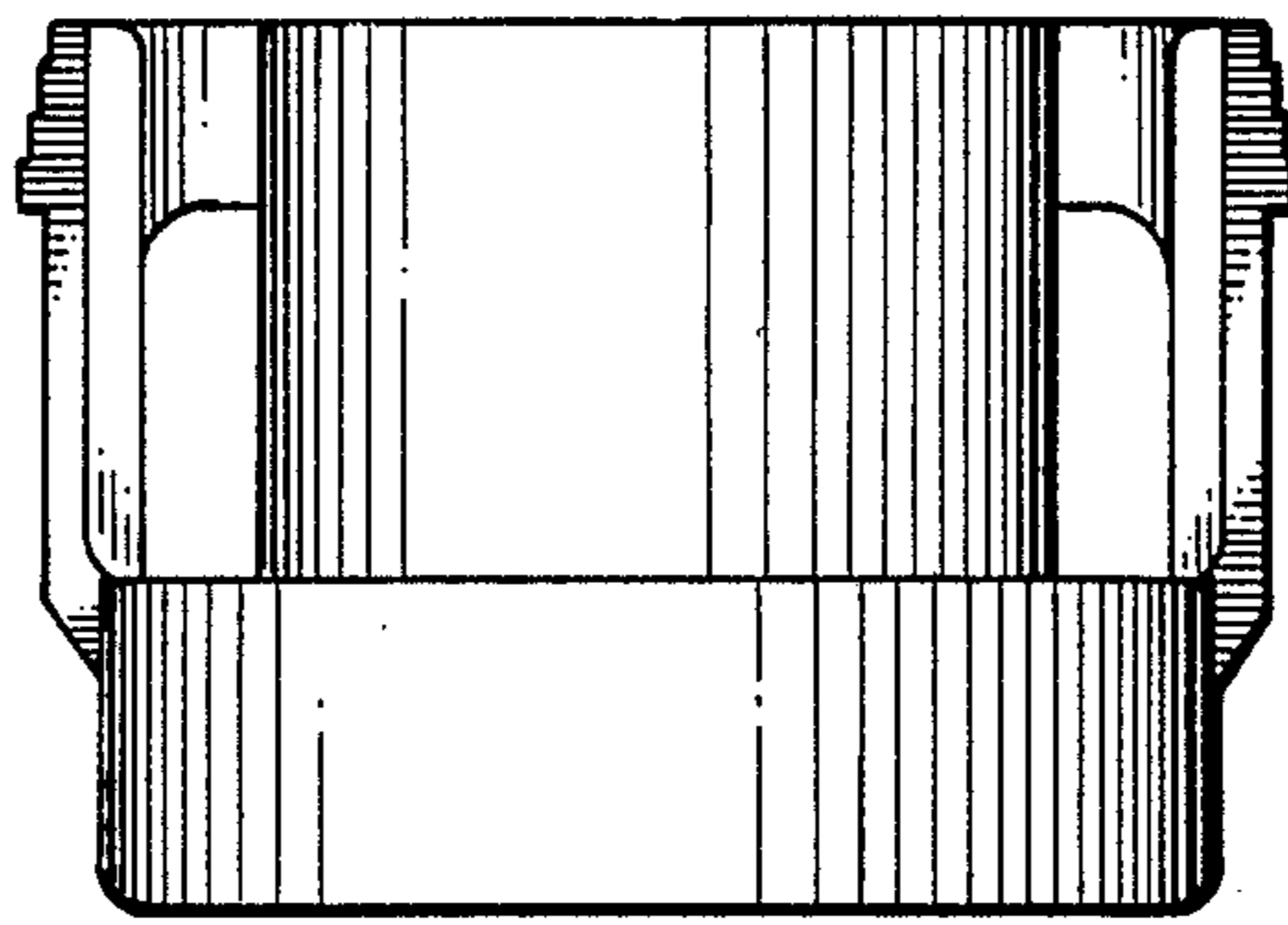


Fig. 5

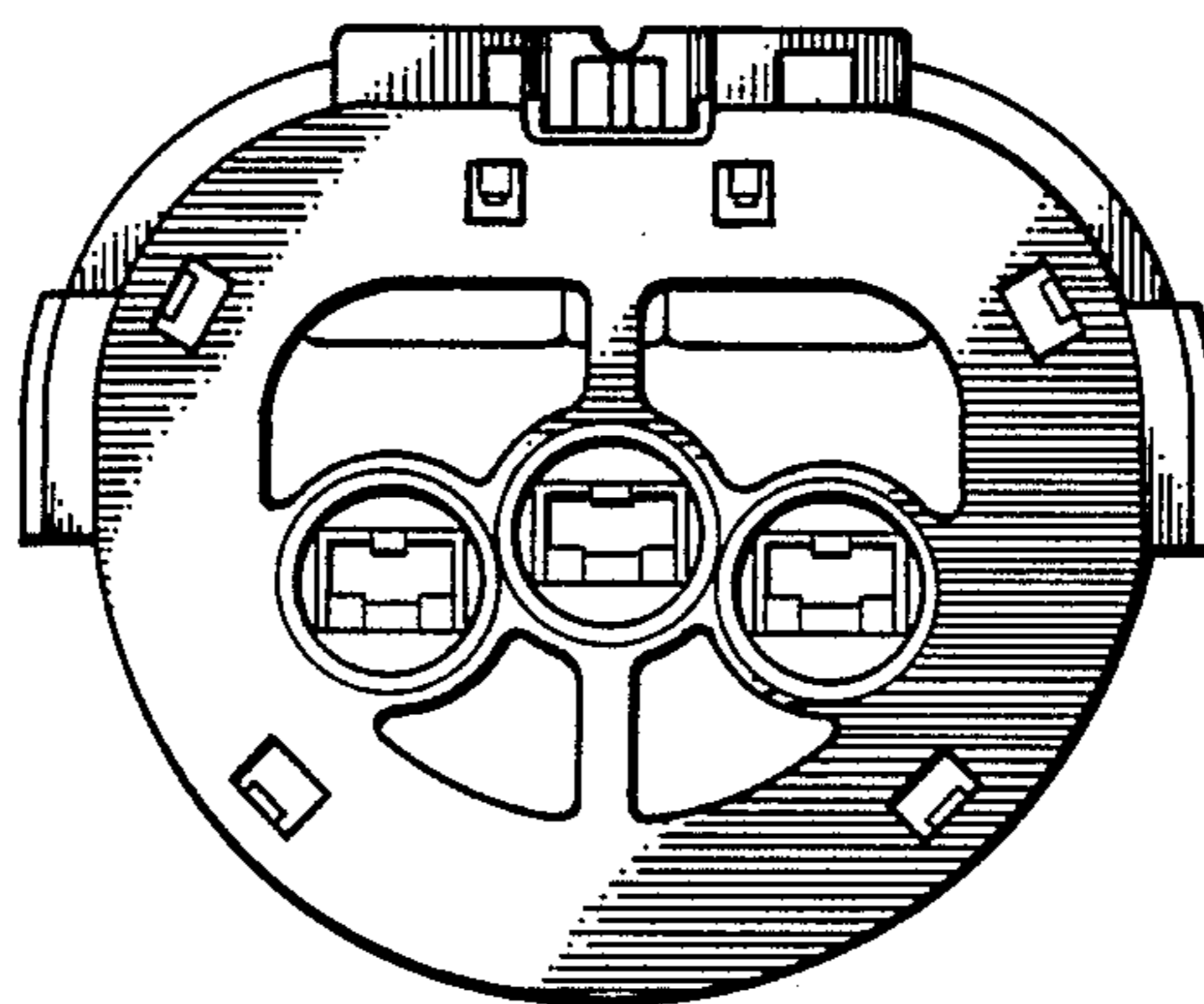


Fig. 6

Fig. 7

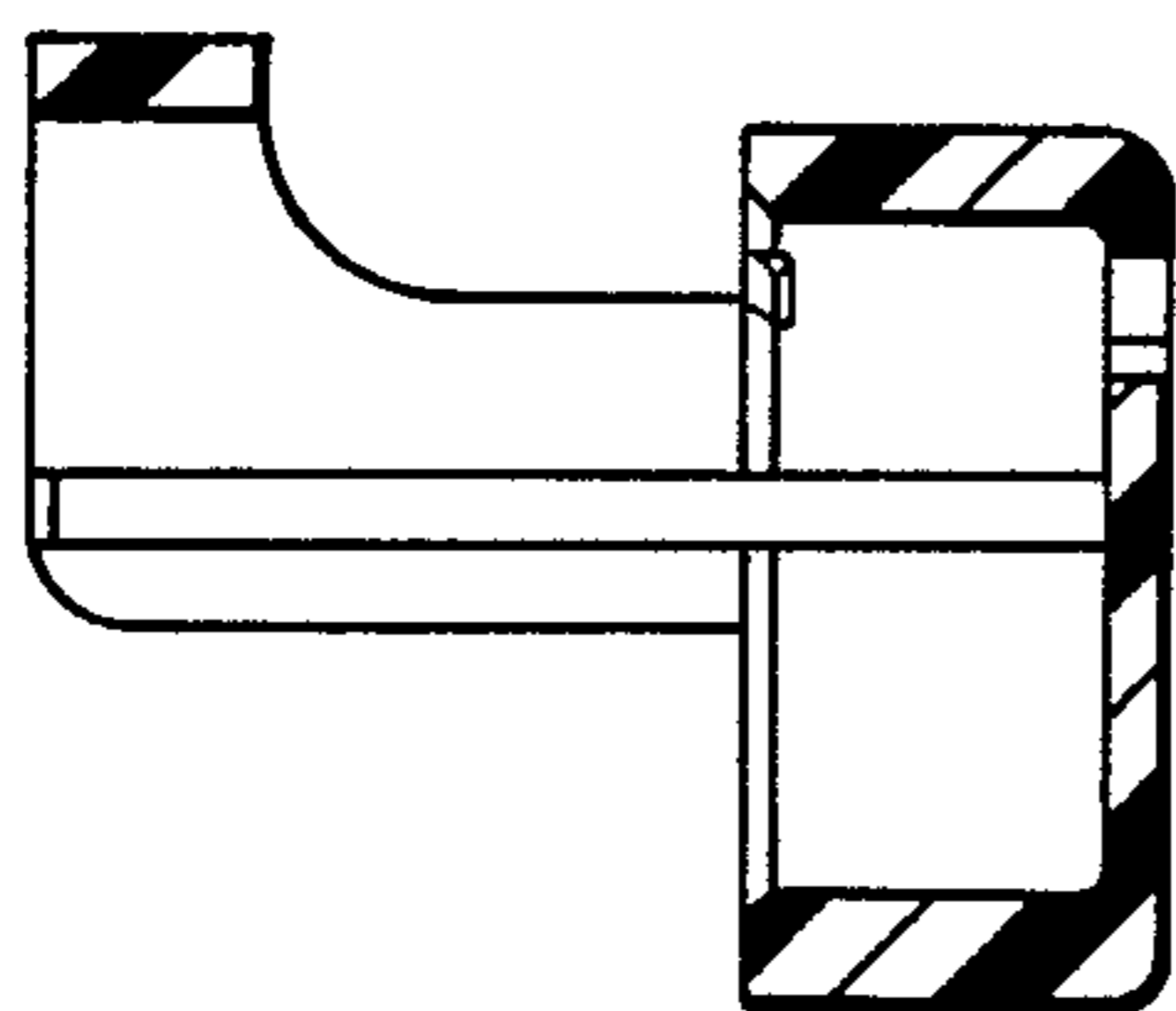


Fig. 8

