

# United States Patent [19]

Yamamoto

[11] Patent Number: **Des. 310,995**

[45] Date of Patent: **\*\* Oct. 2, 1990**

[54] **HOUSING FOR AN ELECTRICAL CONNECTOR**

[75] Inventor: Takayuki Yamamoto, Shizuoka, Japan

[73] Assignee: Yazaki Corporation, Japan

[\*\*] Term: 14 Years

[21] Appl. No.: 187,580

[22] Filed: Apr. 28, 1988

[30] **Foreign Application Priority Data**

Oct. 30, 1987 [JP] Japan ..... 62-44170

[52] U.S. Cl. .... **D13/146**

[58] Field of Search ..... D13/24, 30; 439/660, 439/682, 685

[56] **References Cited**

**U.S. PATENT DOCUMENTS**

D. 251,906 5/1979 Frantz et al. .... D13/24

D. 267,006 11/1982 Gaizauskas ..... D13/24  
D. 286,397 10/1986 Challans ..... D13/24  
D. 295,849 5/1988 Borja ..... D13/24

*Primary Examiner*—Susan J. Lucas  
*Assistant Examiner*—Joel Sincavage  
*Attorney, Agent, or Firm*—Jones, Askew & Lunsford

[57] **CLAIM**

The ornamental design for my housing for an electrical connector, as shown and described.

**DESCRIPTION**

FIG. 1 is a perspective view of my housing for an electrical connector.

FIG. 2 is a front elevation view thereof.

FIG. 3 is a right elevation view thereof, the left being a mirror image.

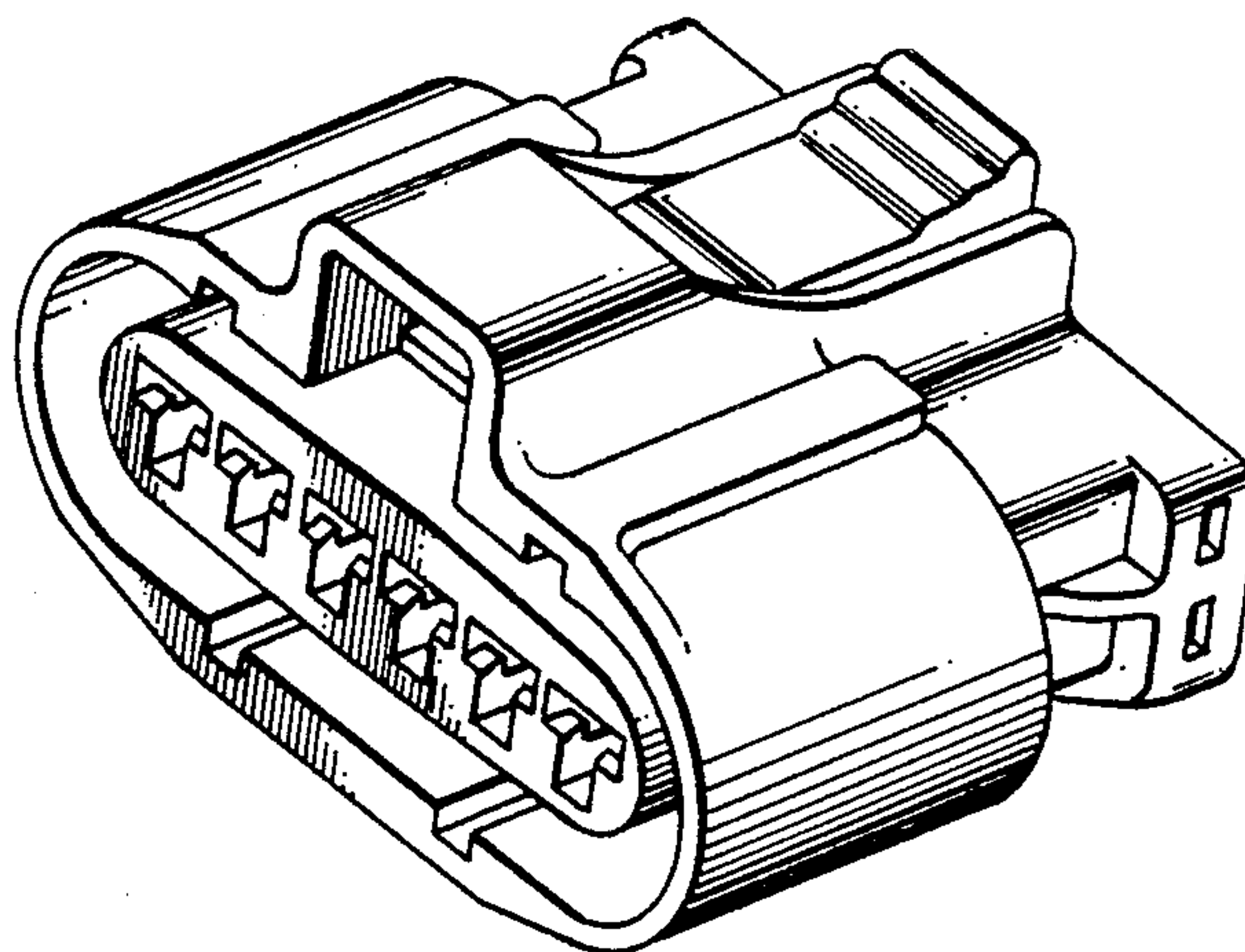
FIG. 4 is a top plan view thereof.

FIG. 5 is a rear elevation view thereof.

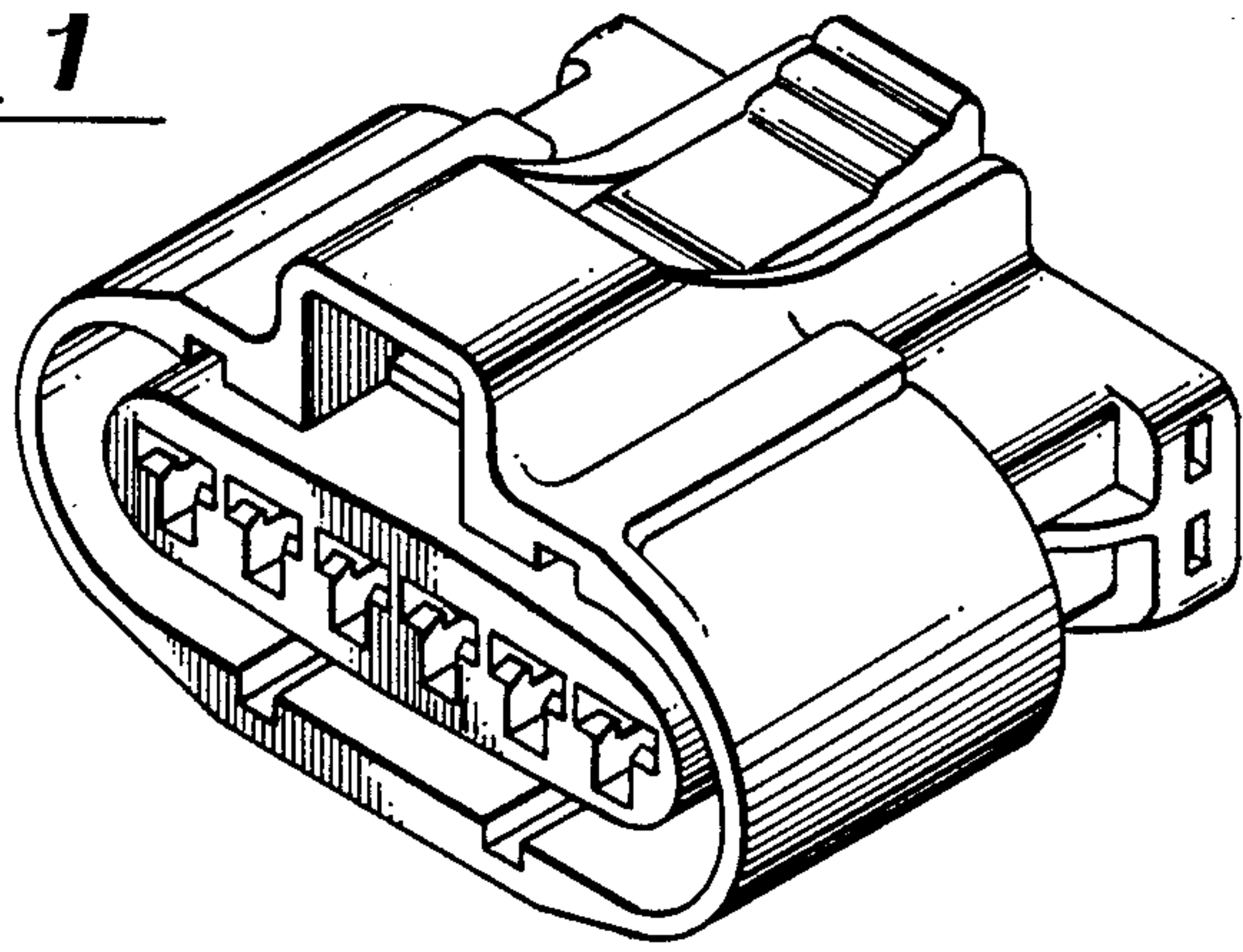
FIG. 6 is a bottom plan view thereof.

FIG. 7 is a section view taken along line 7—7 of FIG. 3;

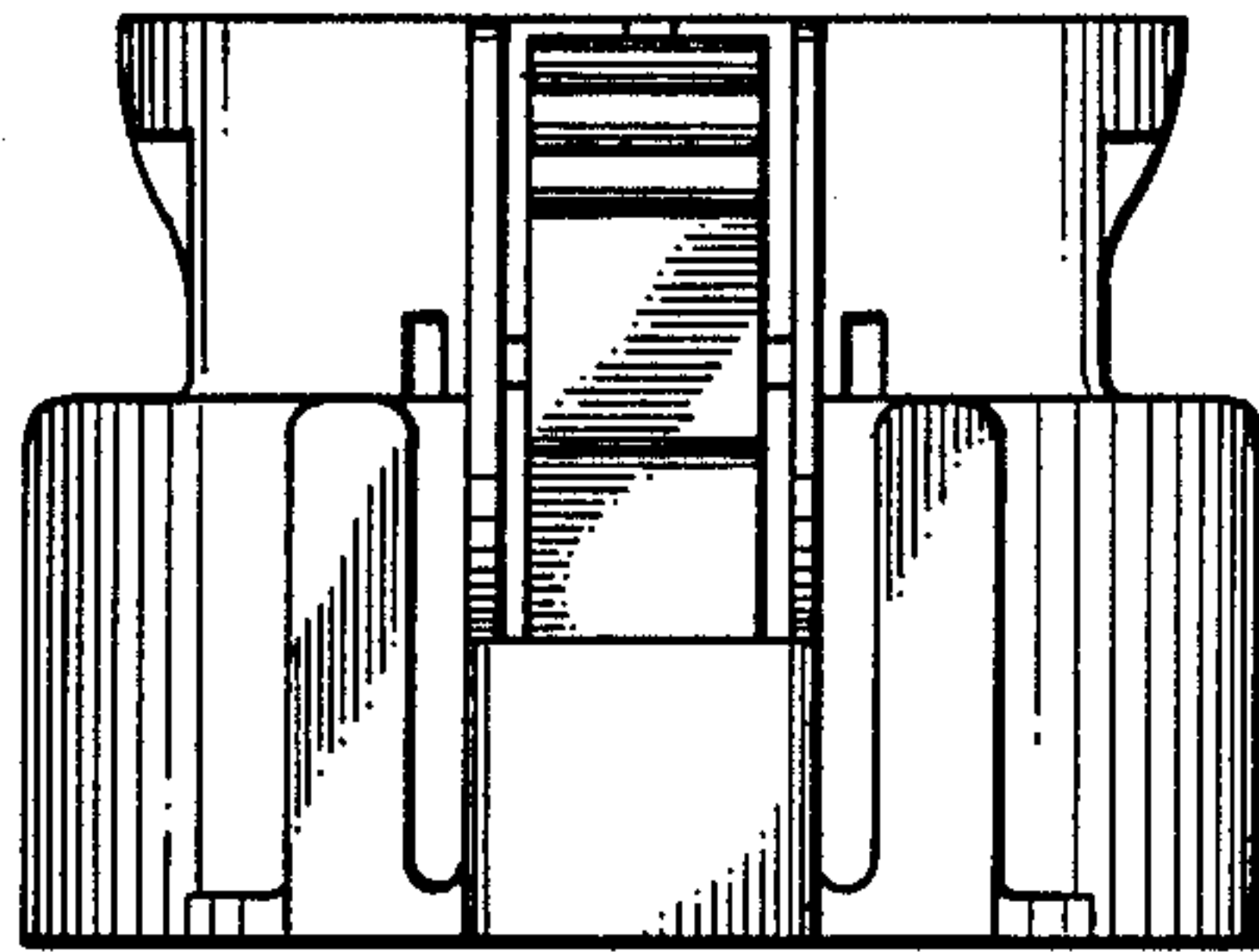
FIG. 8 is a section view taken along line 8—8 of FIG. 3.



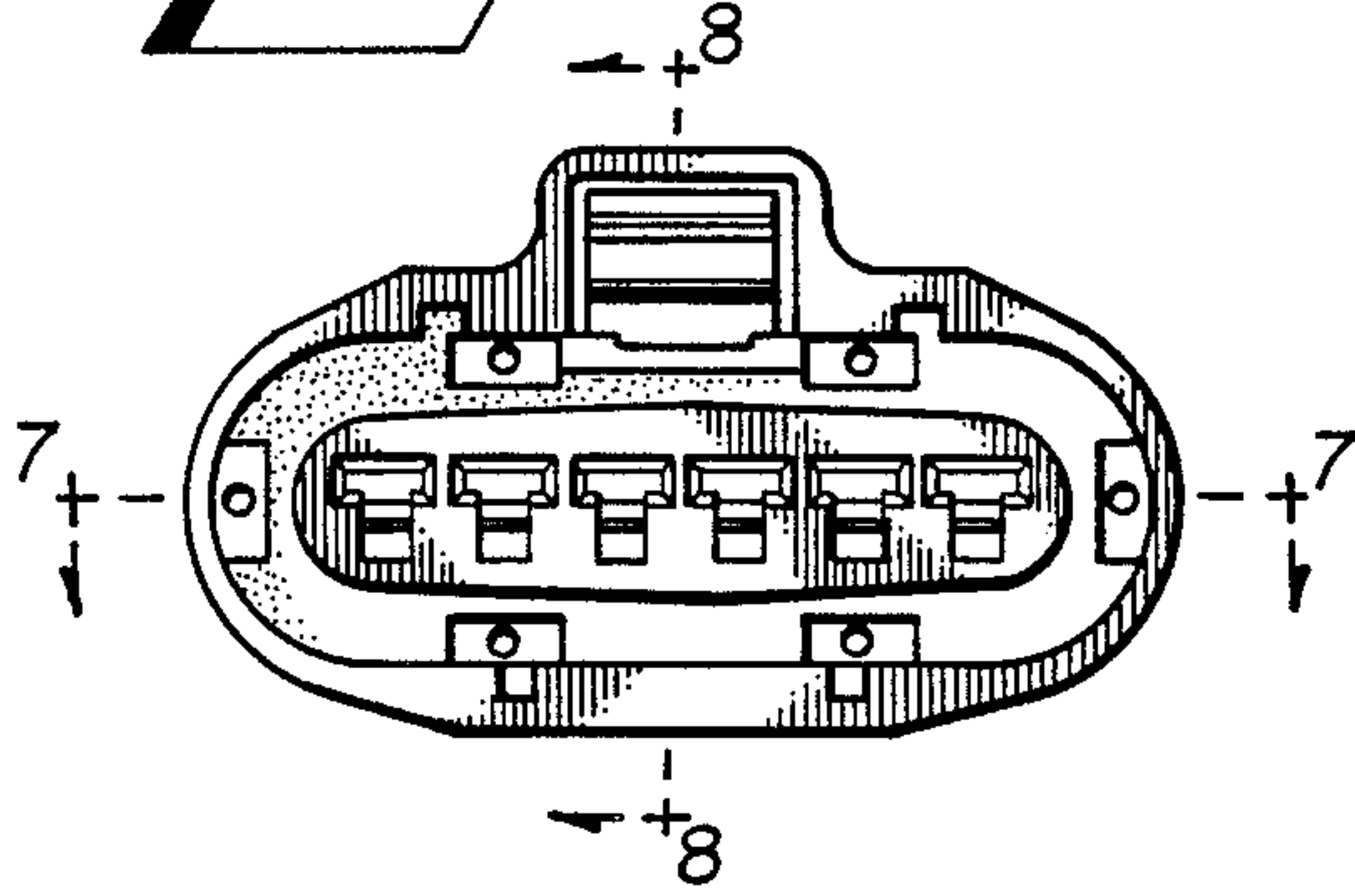
**Fig. 1**



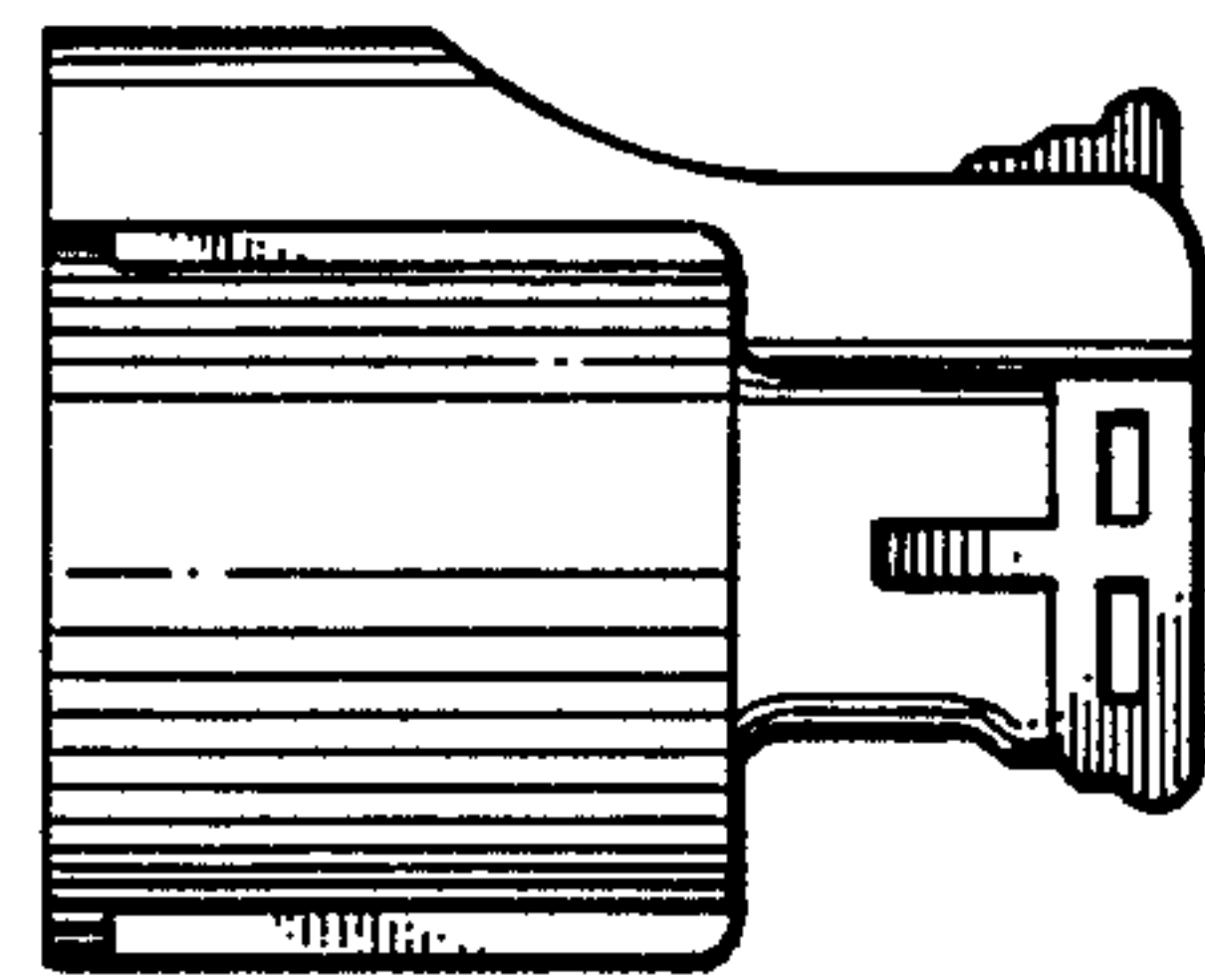
**Fig. 2**

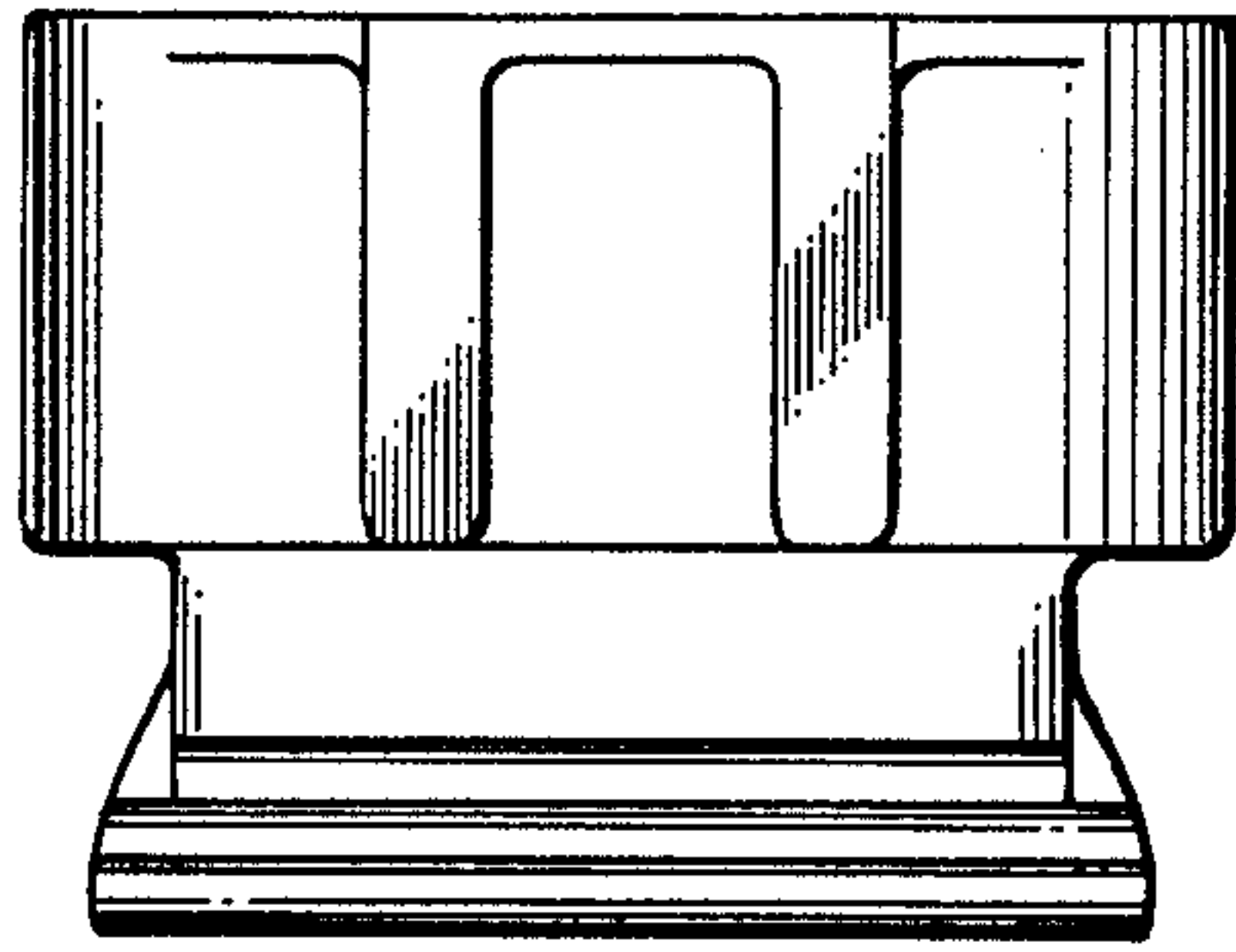


**Fig. 3**

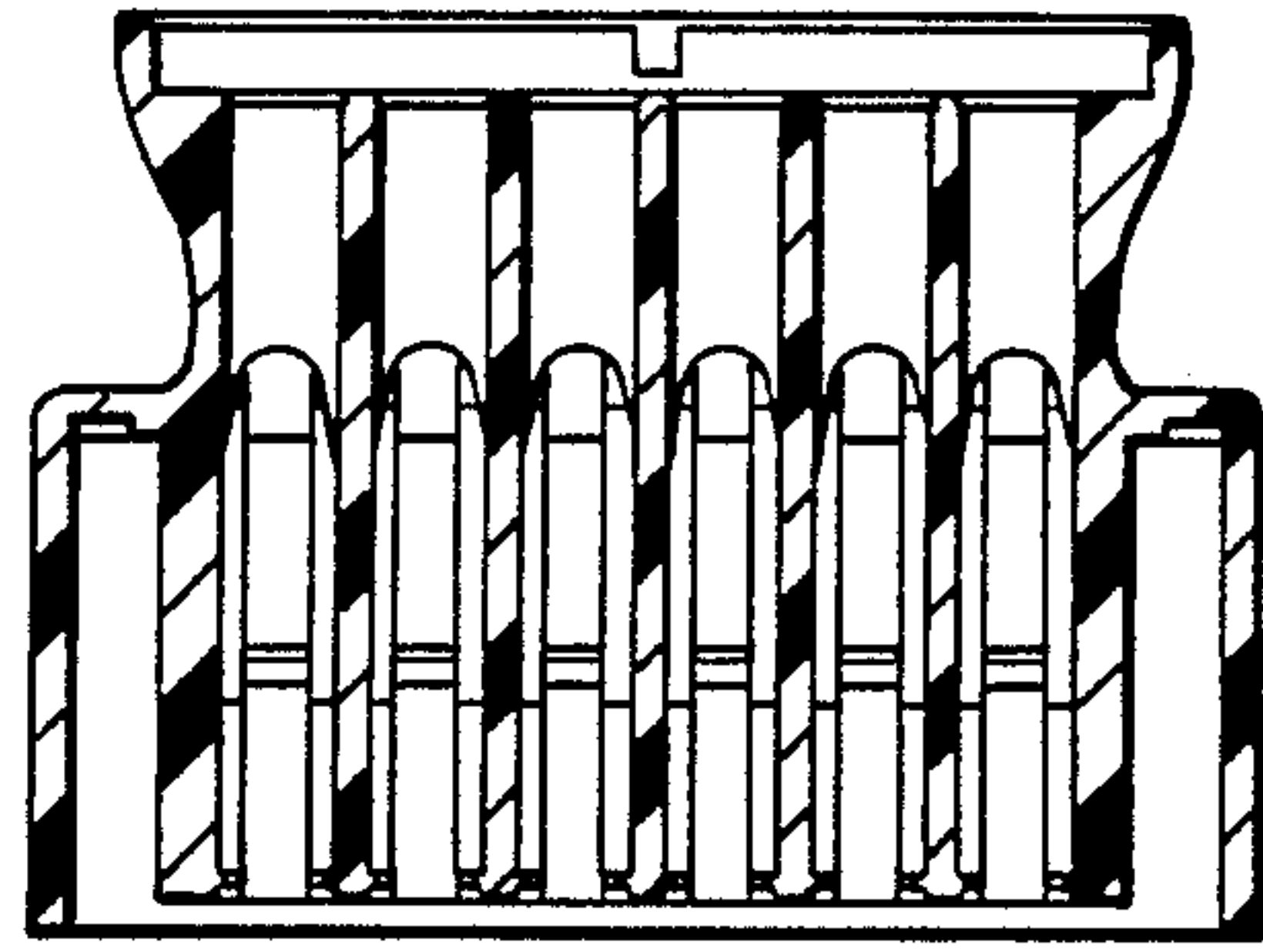


**Fig. 4**

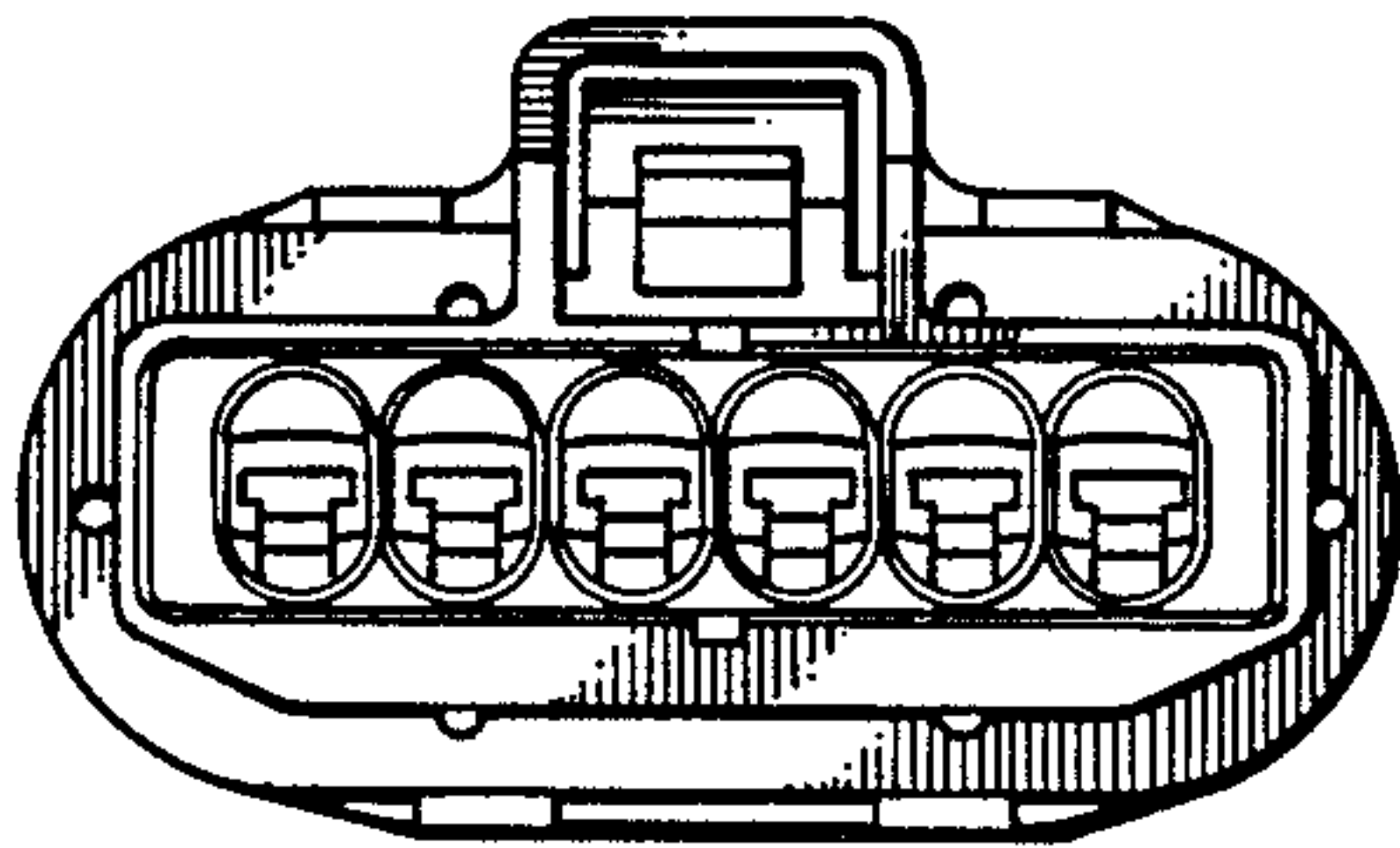




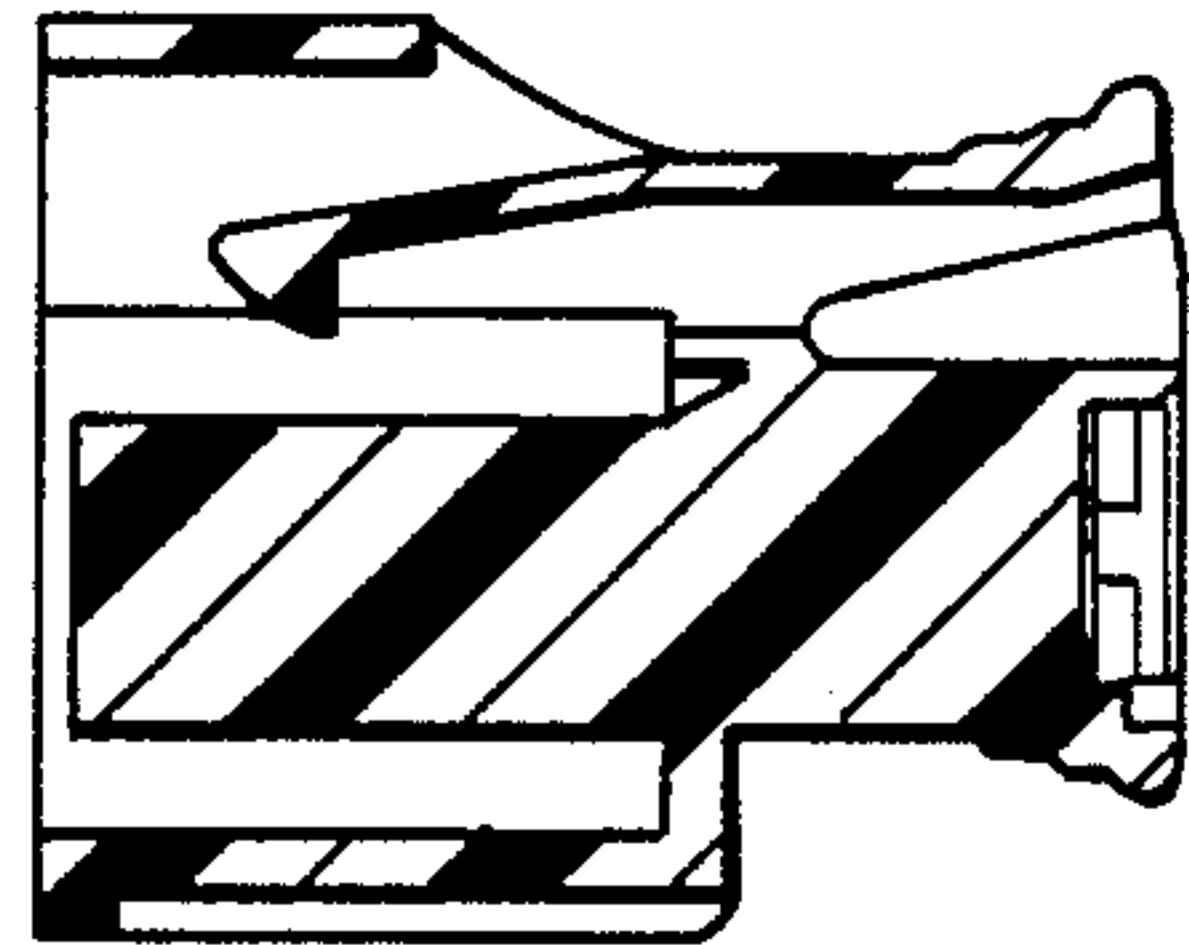
*Fig. 5*



*Fig. 7*



*Fig. 6*



*Fig. 8*