

[54] HOUSING FOR AN ELECTRICAL CONNECTOR

[75] Inventors: Sakai Yagi; Norimichi Yashima, both of Shizuoka, Japan

[73] Assignee: Yazaki Corporation, Japan

[\*\*] Term: 14 Years

[21] Appl. No.: 169,726

[22] Filed: Mar. 18, 1988

[30] Foreign Application Priority Data

Sep. 18, 1987 [JP] Japan ..... 62-37858

Sep. 18, 1987 [JP] Japan ..... 62-37859

[52] U.S. Cl. .... D13/146

[58] Field of Search ..... D13/24, 30, 133, 146, D13/147; 439/660, 682, 685

[56] References Cited

U.S. PATENT DOCUMENTS

D. 251,906 5/1979 Frantz et al. .... D13/24

D. 286,397 10/1986 Challans ..... D13/24

D. 295,849 5/1988 Borja ..... D13/24

Primary Examiner—Susan J. Lucas

Assistant Examiner—Joel Sincavage  
Attorney, Agent, or Firm—Jones, Askew & Lunsford

[57] CLAIM

The ornamental design for a housing for an electrical connector, as shown and described.

DESCRIPTION

FIG. 1 is a perspective view of a housing for an electrical showing our new design;

FIG. 2 is a top plan view thereof;

FIG. 3 is a front elevational view thereof;

FIG. 4 is a bottom plan view thereof;

FIG. 5 is a right side elevational view thereof, the left side elevational view being a mirror image;

FIG. 6 is a rear elevational view thereof;

FIG. 7 is a perspective view of a housing for an electrical connector showing a second embodiment of our new design;

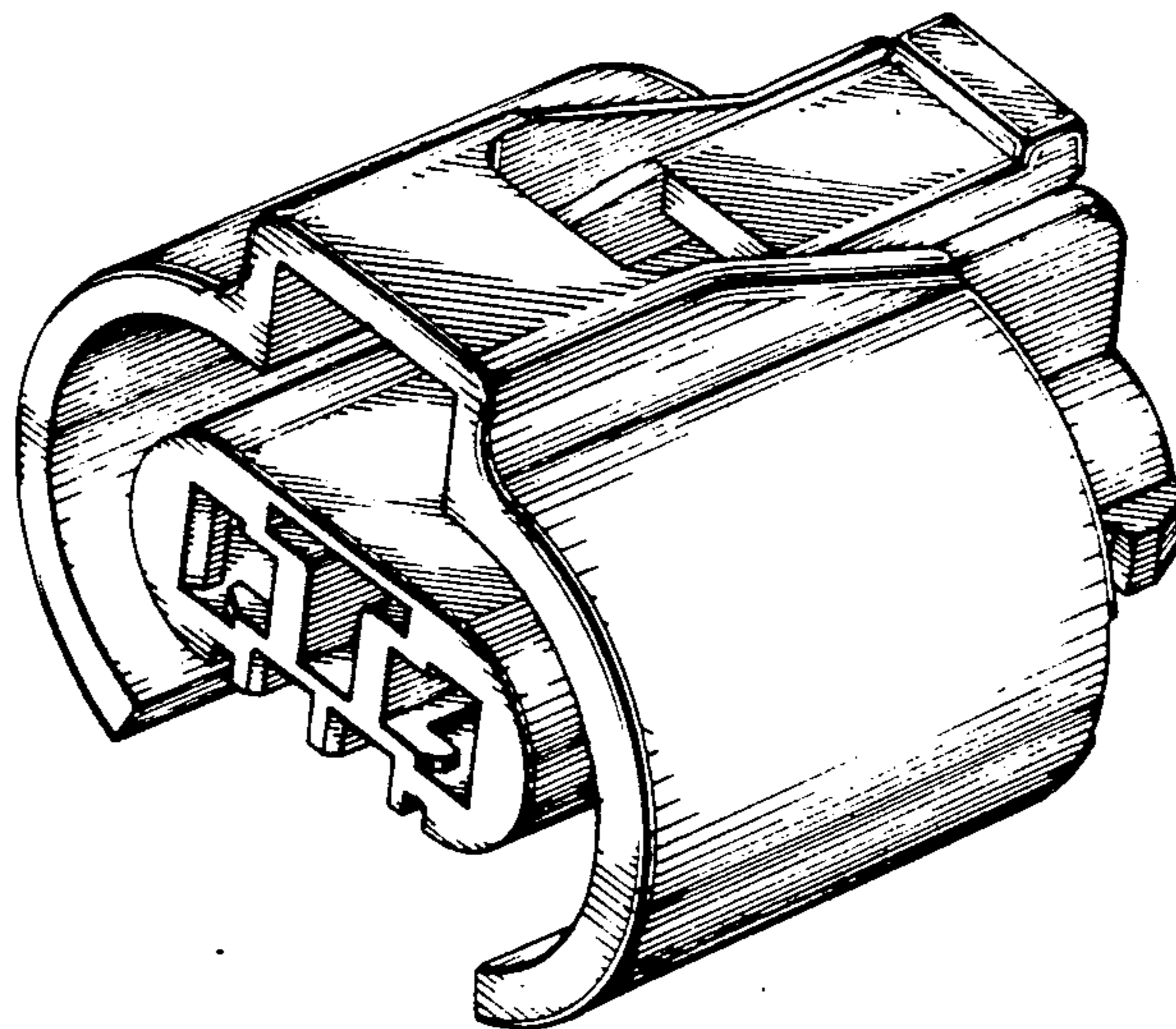
FIG. 8 is a top plan view thereof;

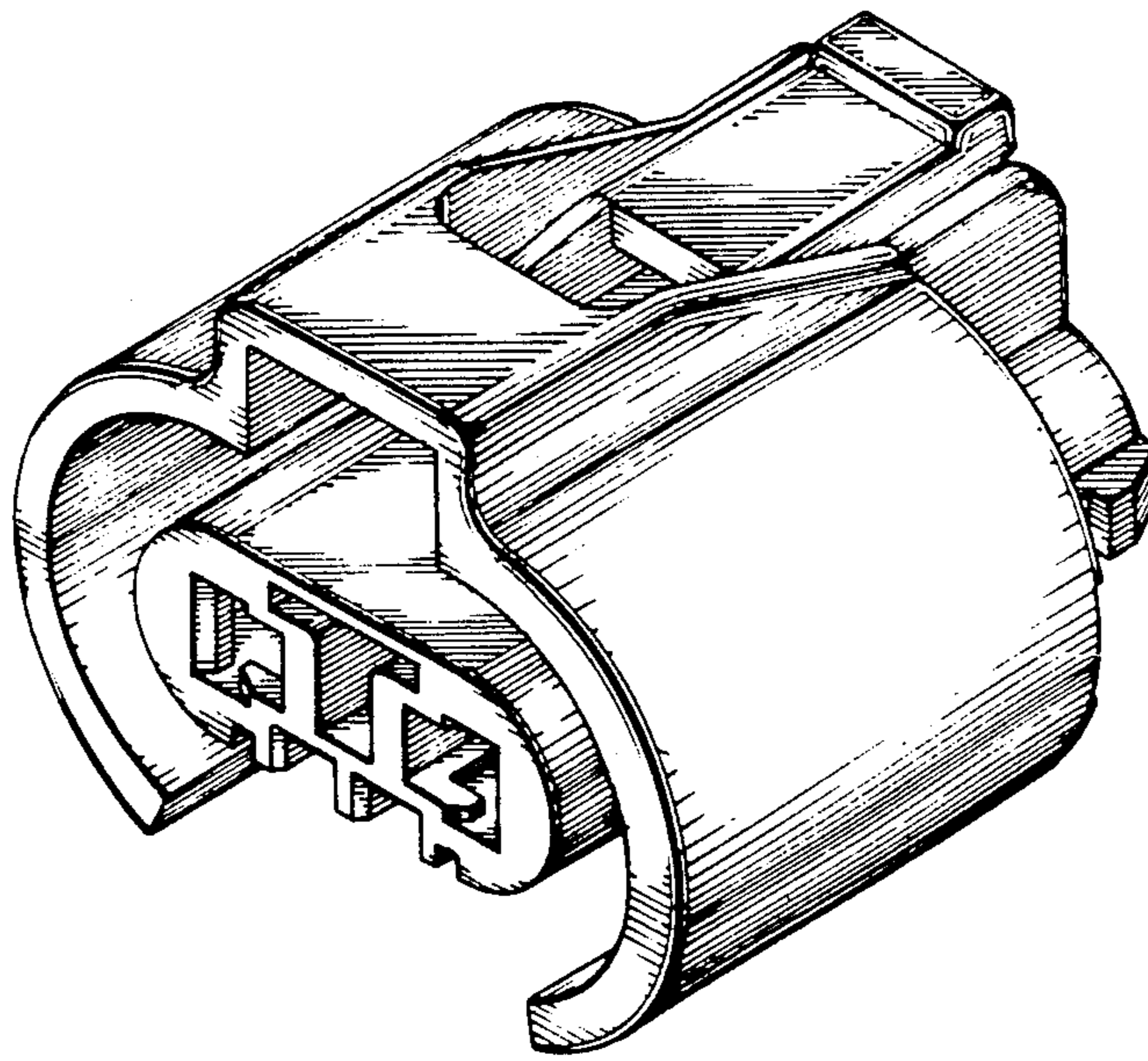
FIG. 9 is a front elevational view thereof;

FIG. 10 is a bottom plan view thereof;

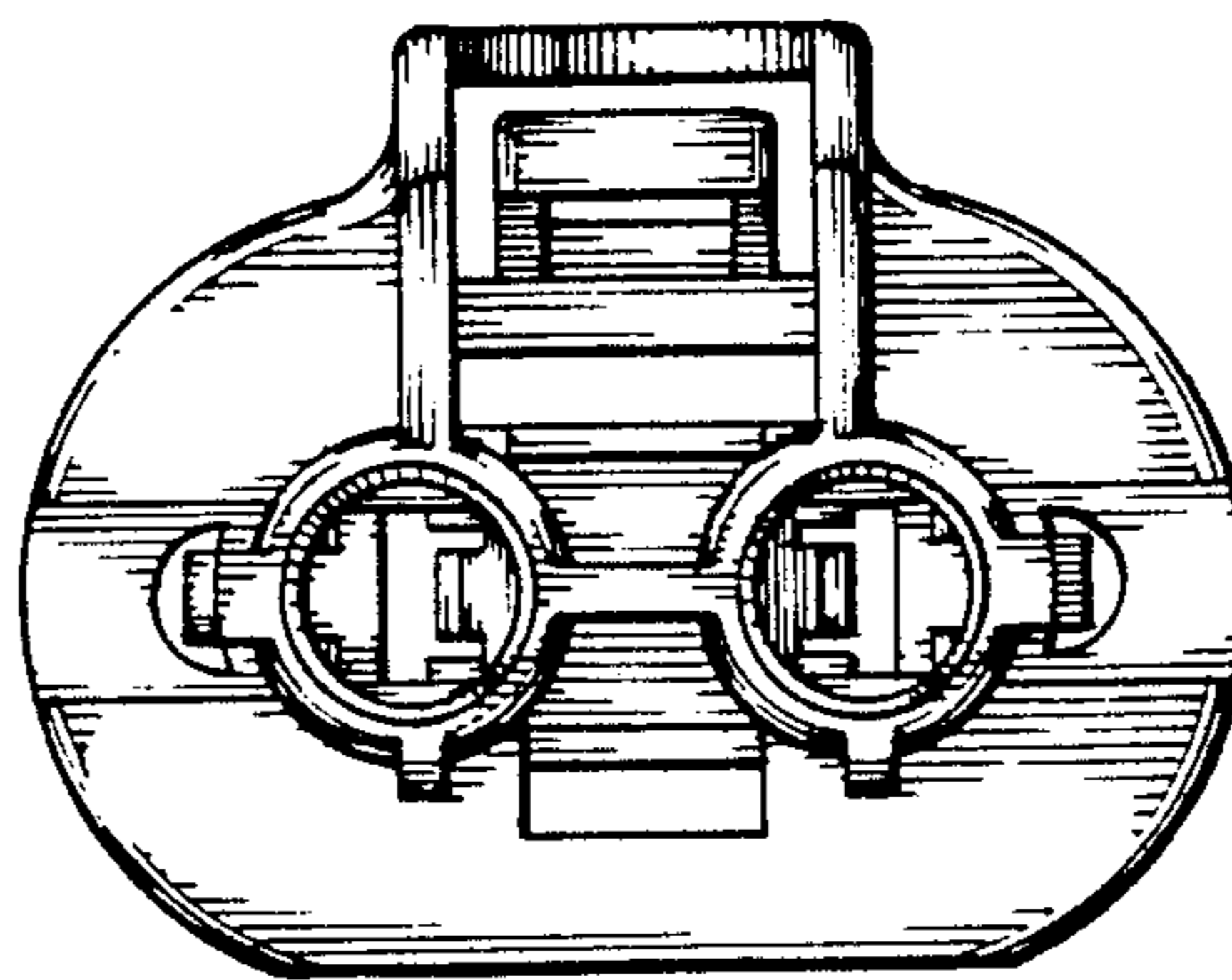
FIG. 11 is a right side elevational view thereof, the left side elevational view being a mirror image;

FIG. 12 is a rear elevational view thereof, the broken line is for illustrative purposes only and form no part of the claimed design.

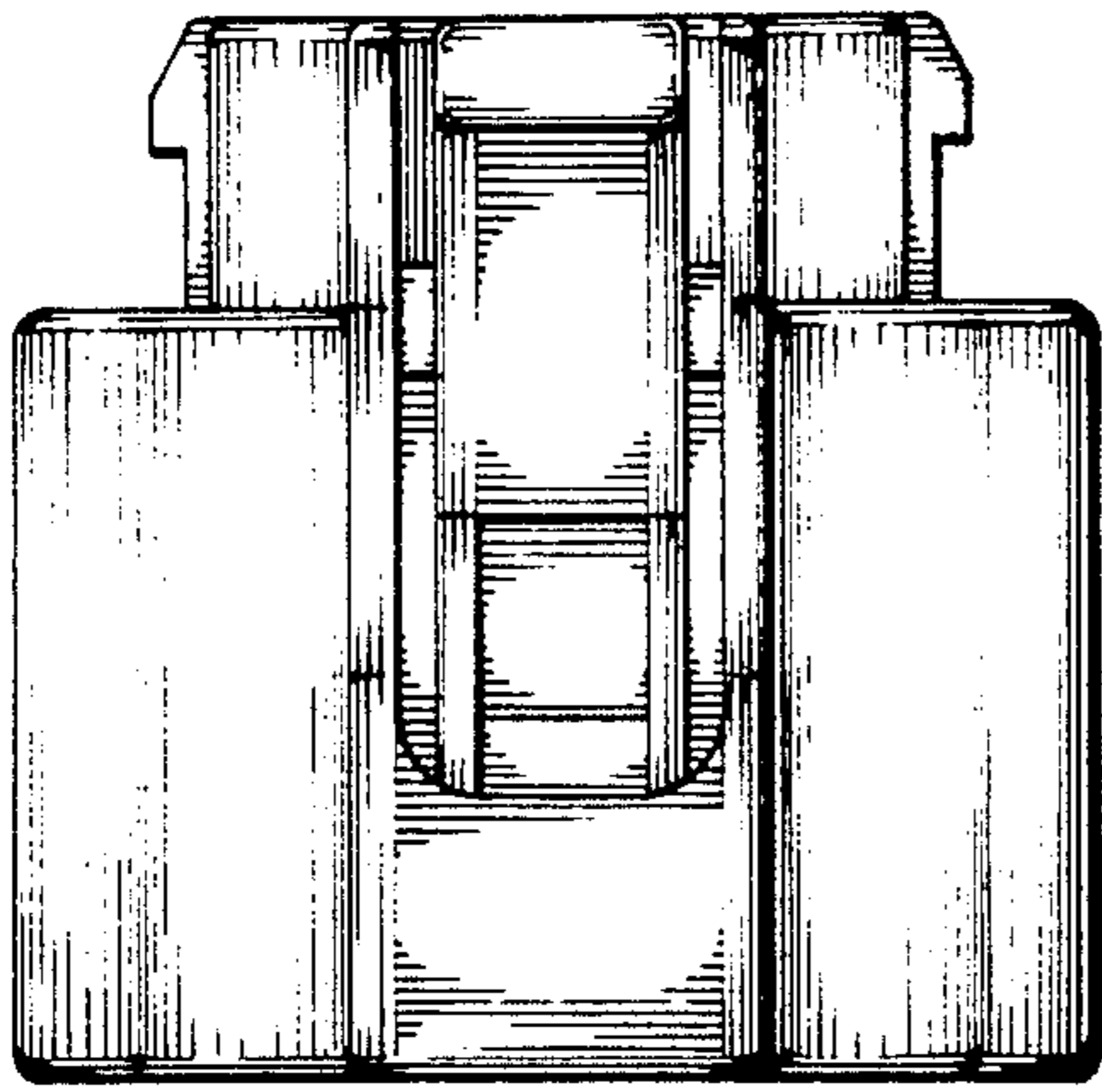




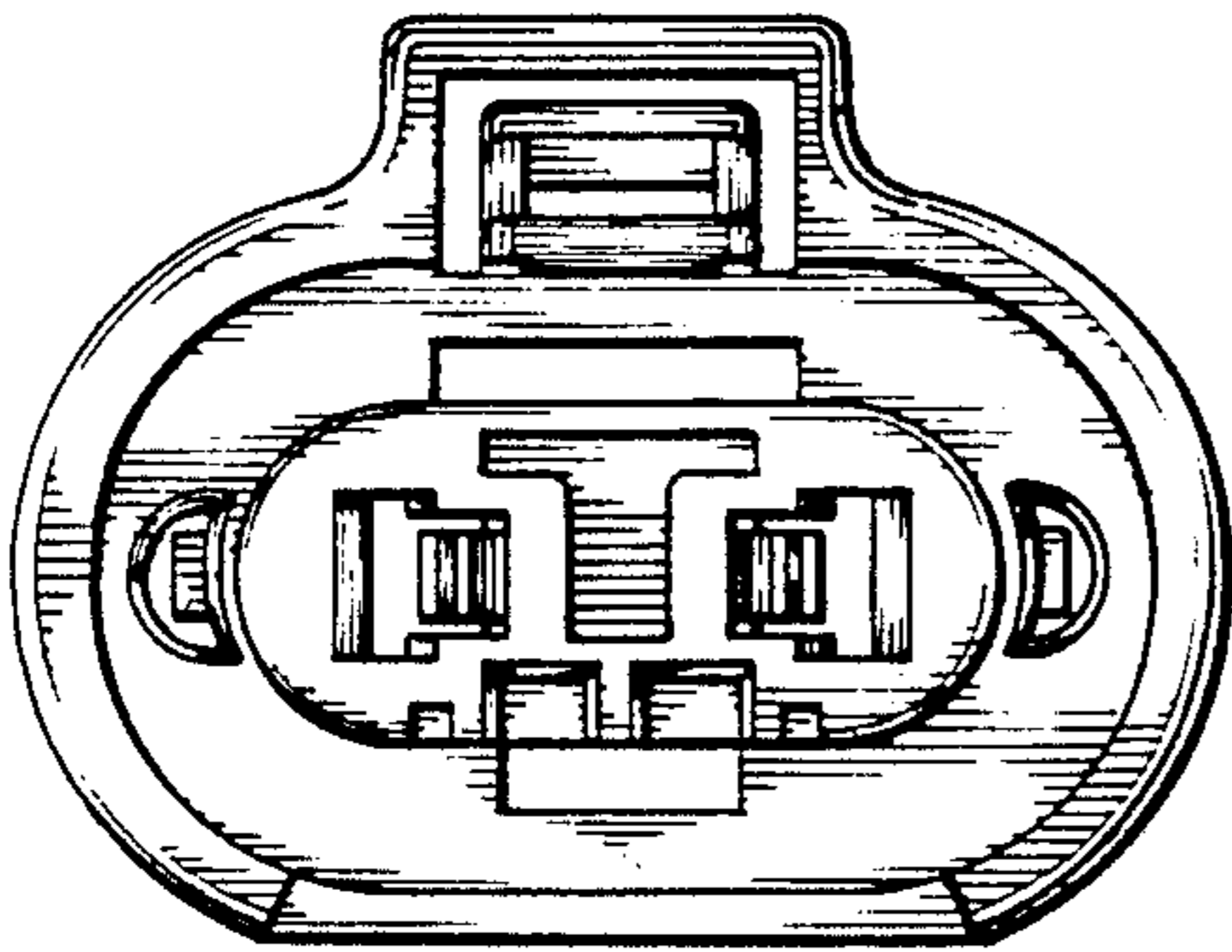
**FIG 1**



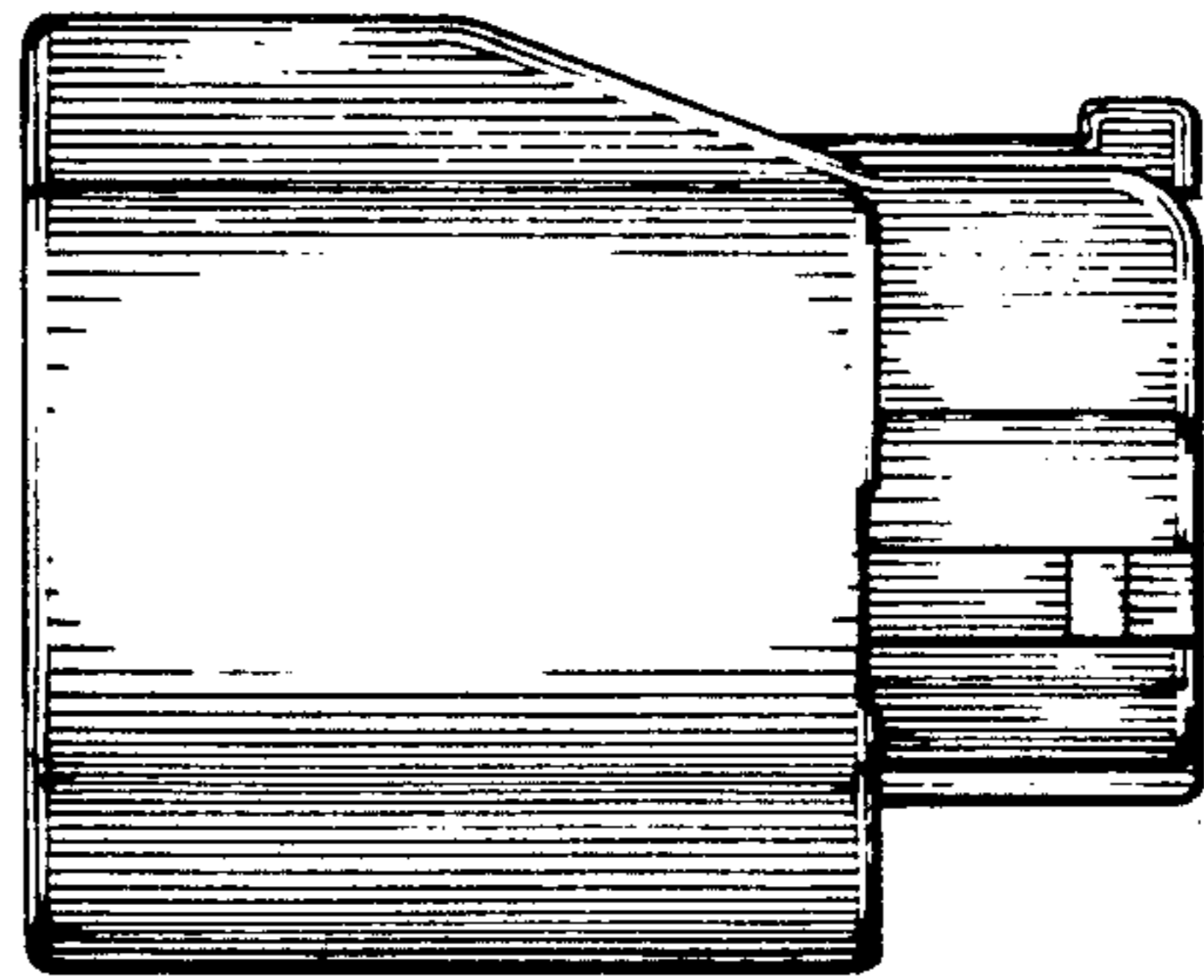
**FIG 6**



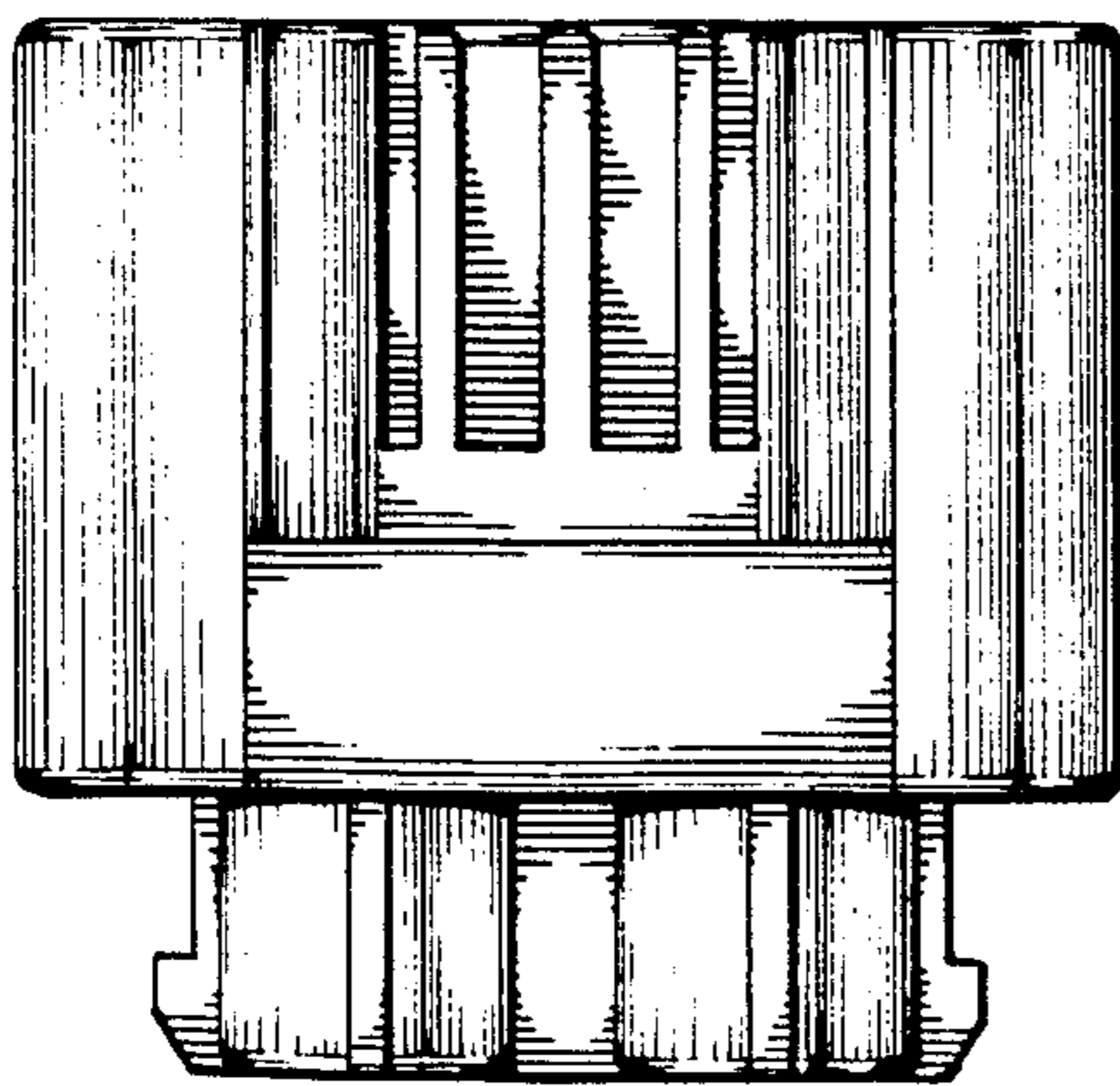
**FIG 2**



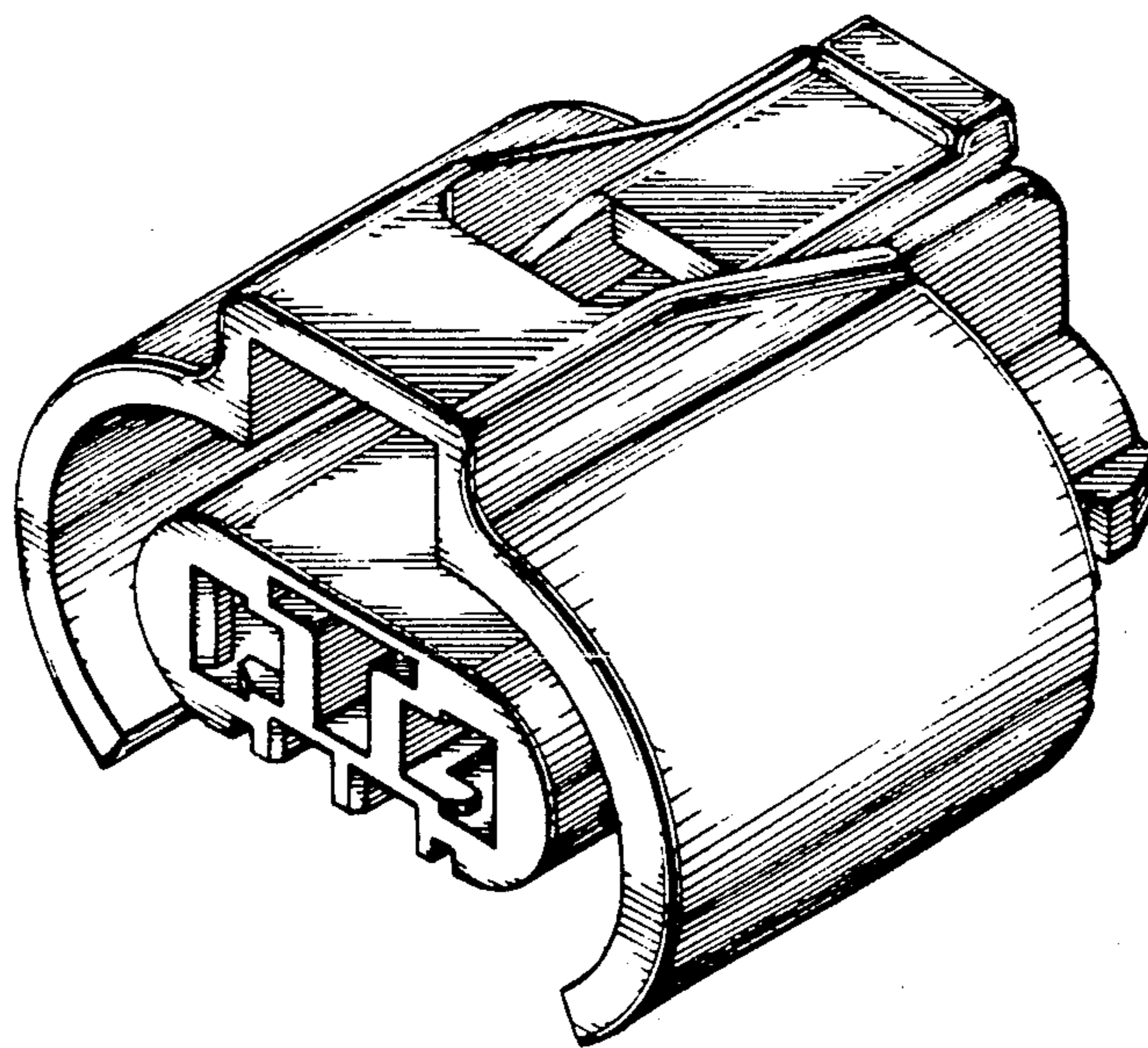
**FIG 3**



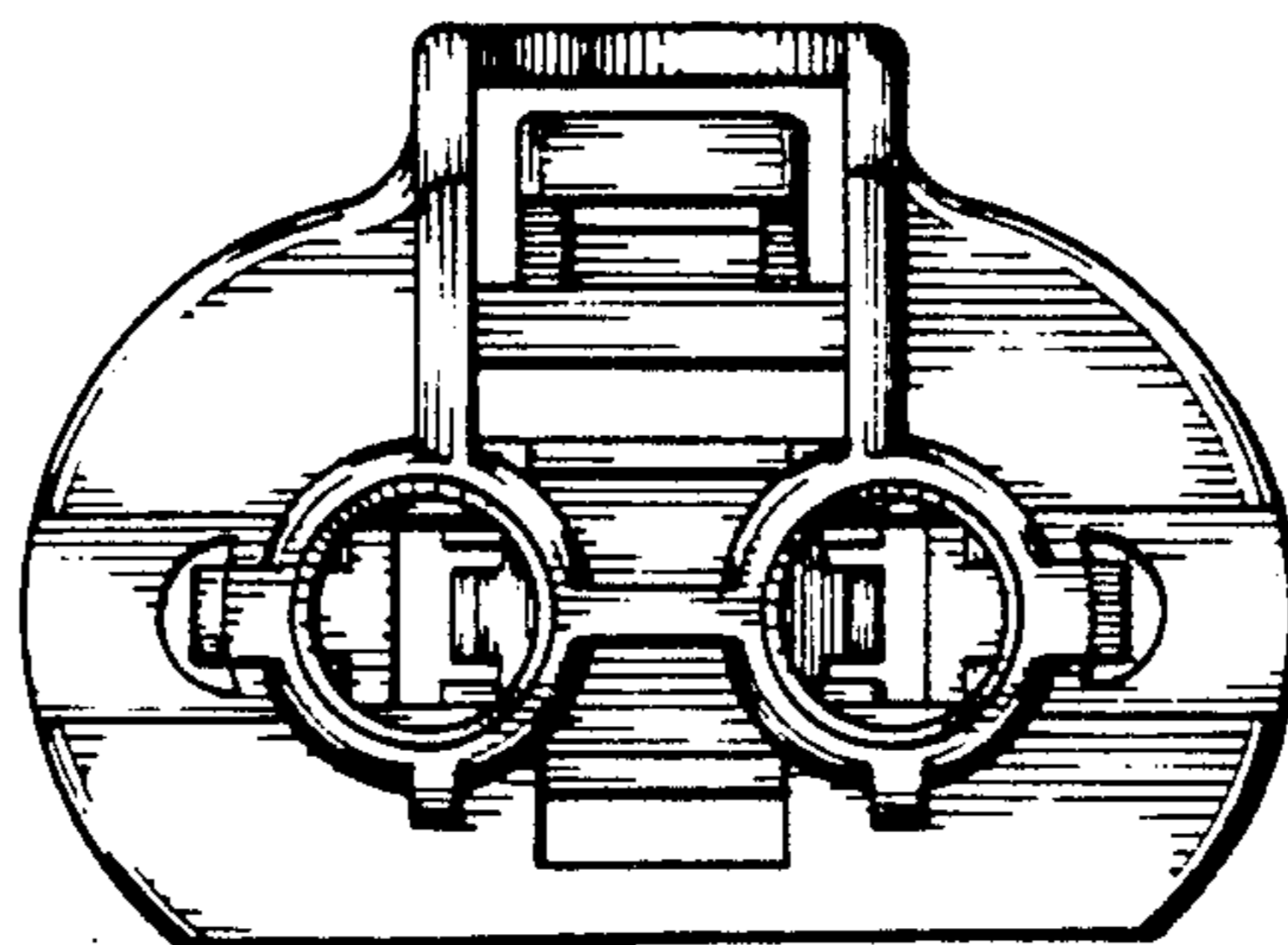
**FIG 5**



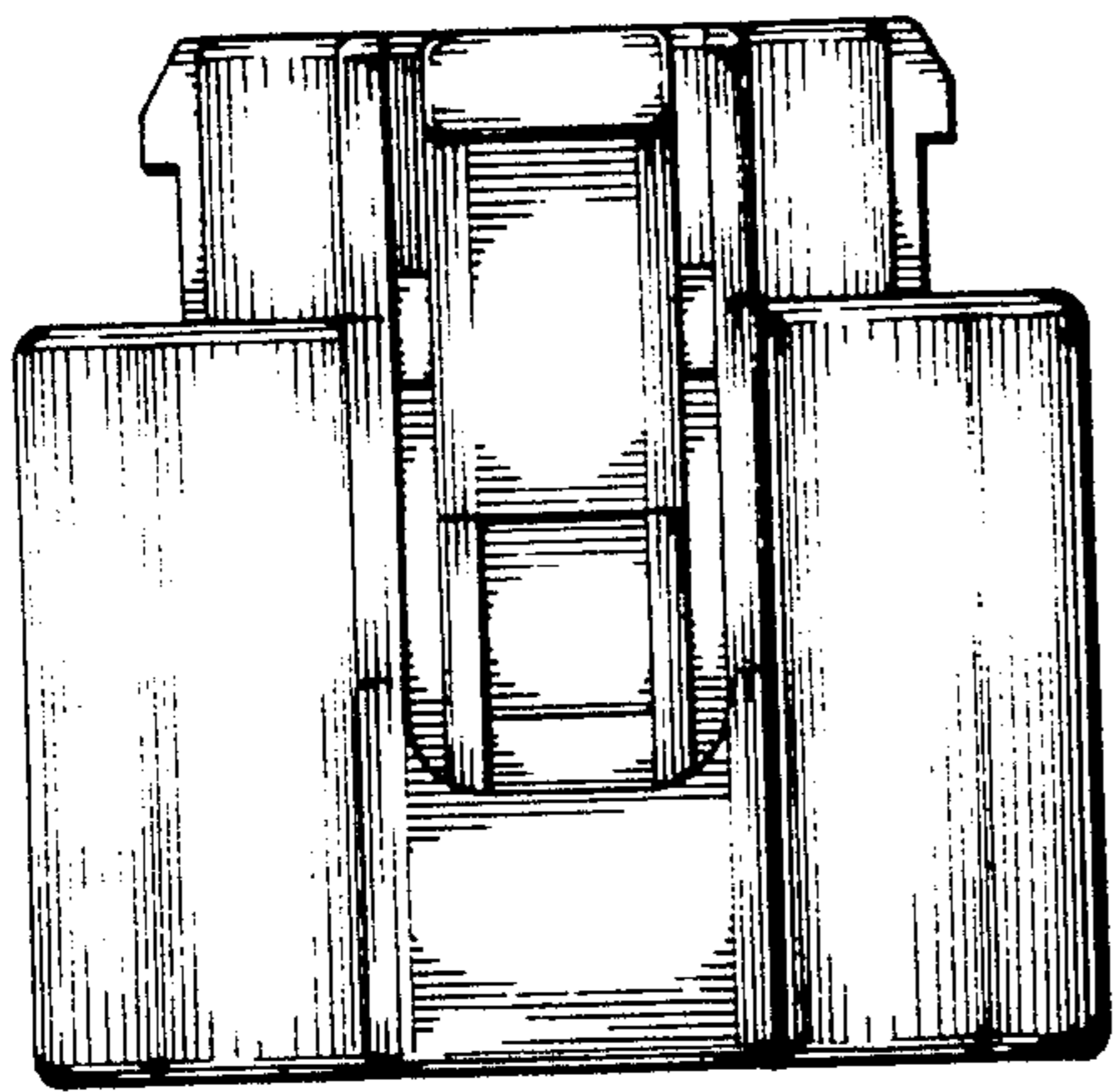
**FIG 4**



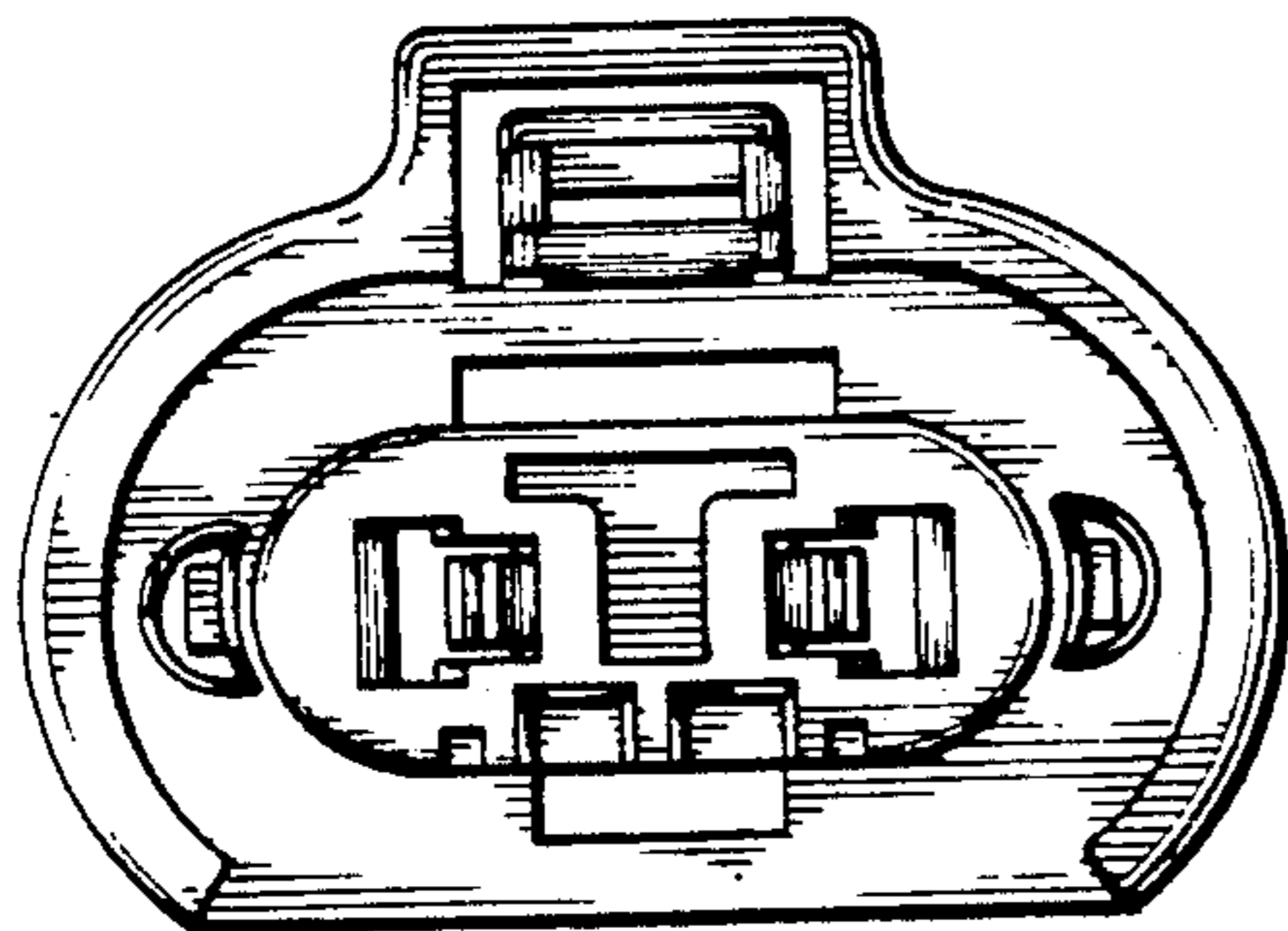
**FIG 7**



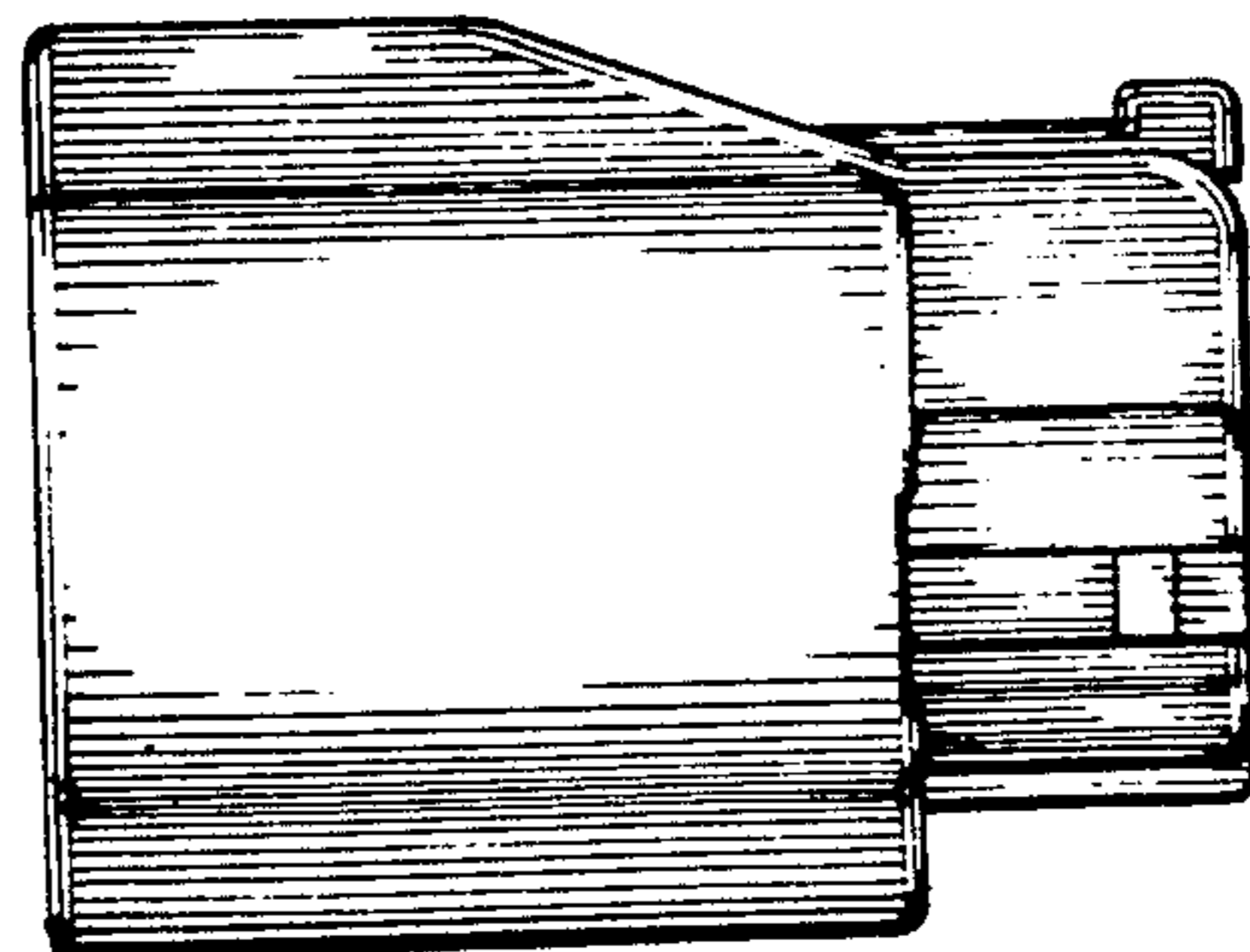
**FIG 12**



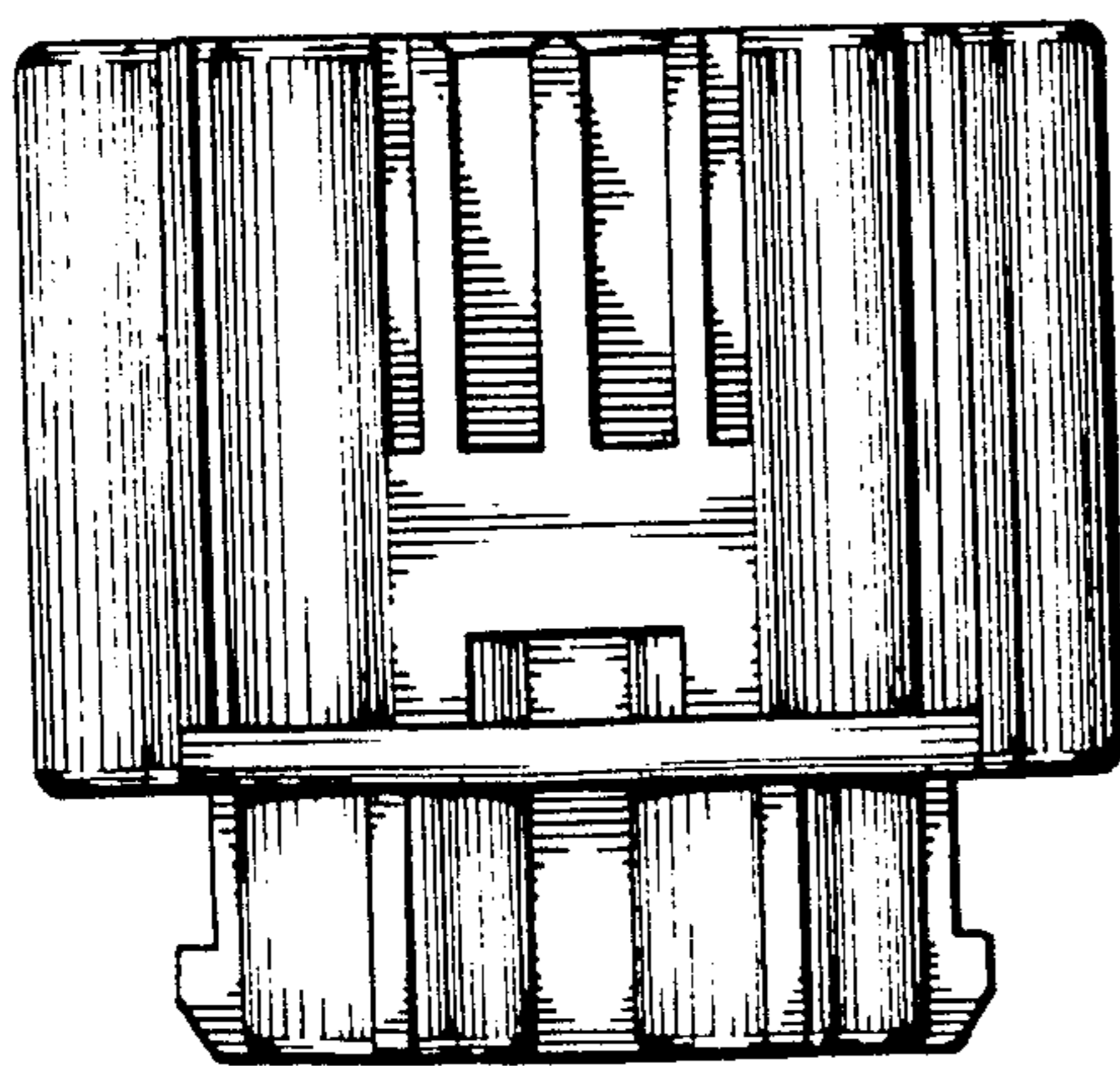
**FIG 8**



**FIG 9**



**FIG 11**



**FIG 10**