

[54] **COVER FOR THE BED OF A PICKUP TRUCK**

Primary Examiner—James M. Gandy
Attorney, Agent, or Firm—Panitch Schwarze Jacobs & Nadel

[75] **Inventors:** Don C. Law, Arlington, Tex.;
Richard Gibbs, Auburndale, Fla.

[73] **Assignee:** Brahma, Inc., Grand Prairie, Tex.

[57] **CLAIM**

[**] **Term:** 14 Years

The ornamental design for the bed of a pickup truck, as shown and described.

[21] **Appl. No.:** 216,735

DESCRIPTION

[22] **Filed:** Jul. 6, 1988

FIG. 1 is a top plan view of a cover for the bed of a pickup truck in accordance with my new design;
FIG. 2 is a bottom plan view thereof;
FIG. 3 is a front elevation view thereof;
FIG. 4 is a rear elevation view thereof;
FIG. 5 is a side elevation view thereof; and
FIG. 6 is a perspective view thereof.

[52] **U.S. Cl.** **D12/156**

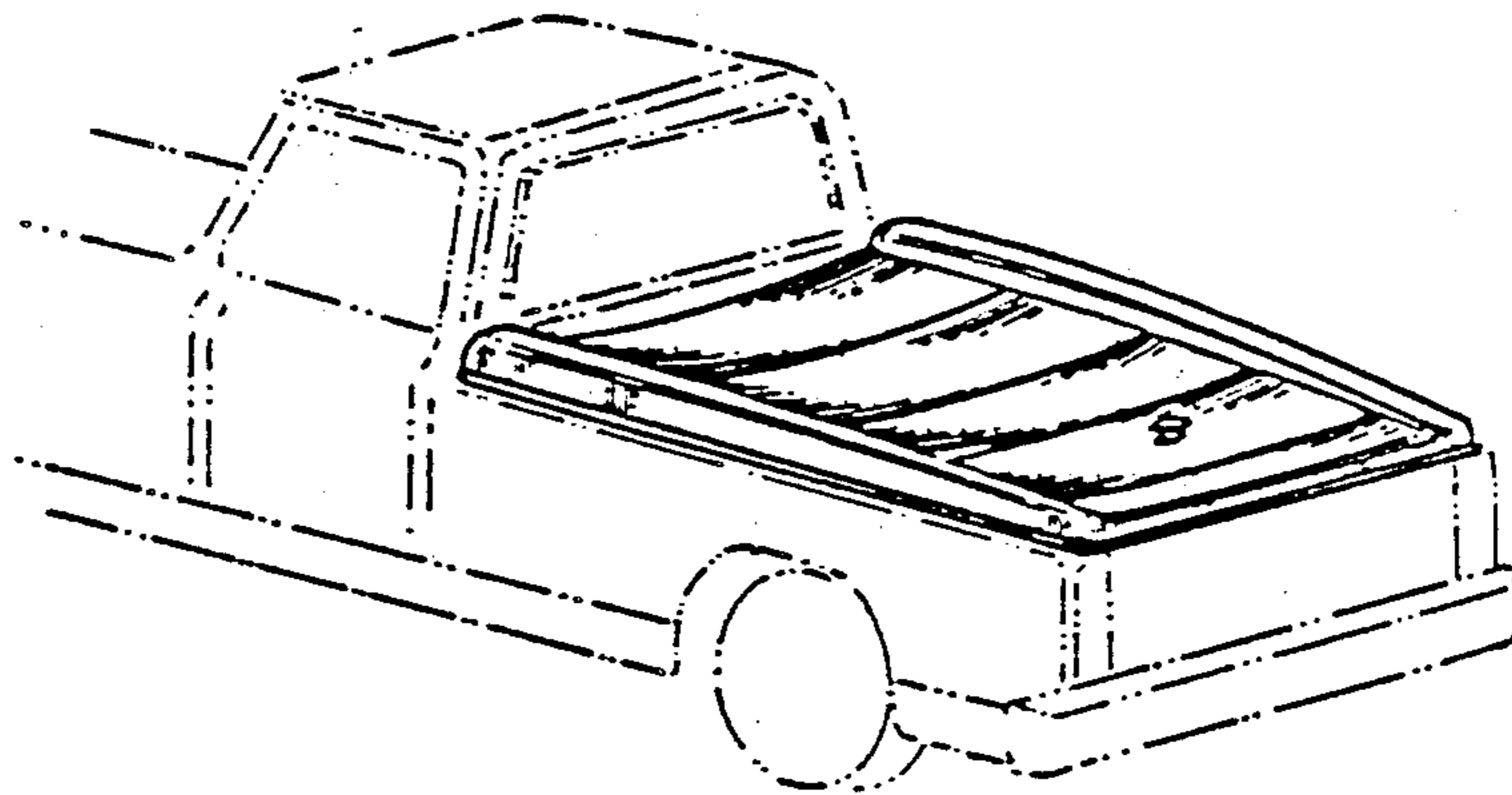
[58] **Field of Search** D12/156; 296/100, 102,
296/105

The broken line showing of a pickup truck in FIG. 6 of the drawing is for illustrative purposes only and forms no part of the claimed design.

[56] **References Cited**

U.S. PATENT DOCUMENTS

4,813,735	3/1989	Avitable	296/100
4,832,395	5/1989	Lovaas	296/105



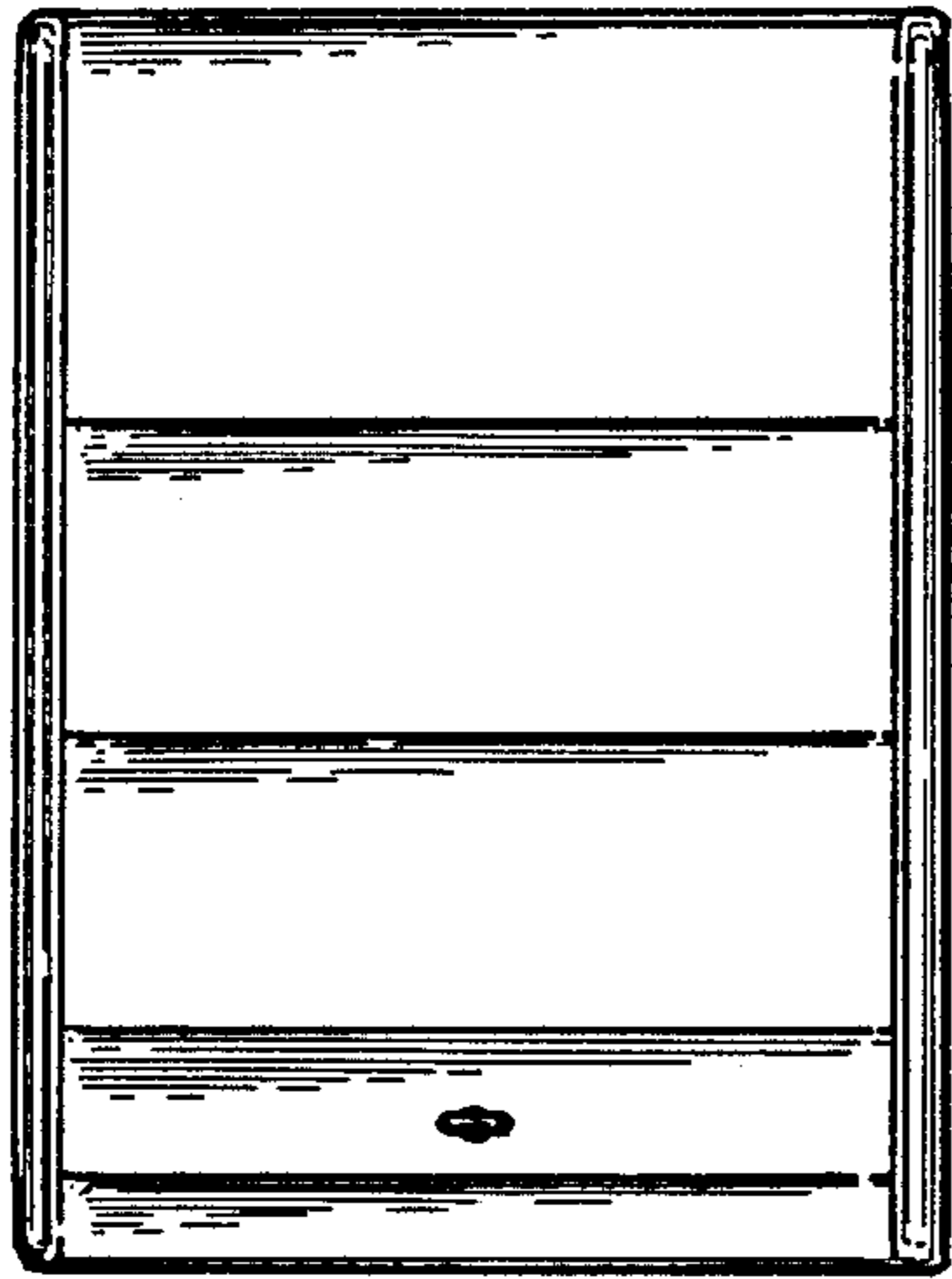


FIG. 1

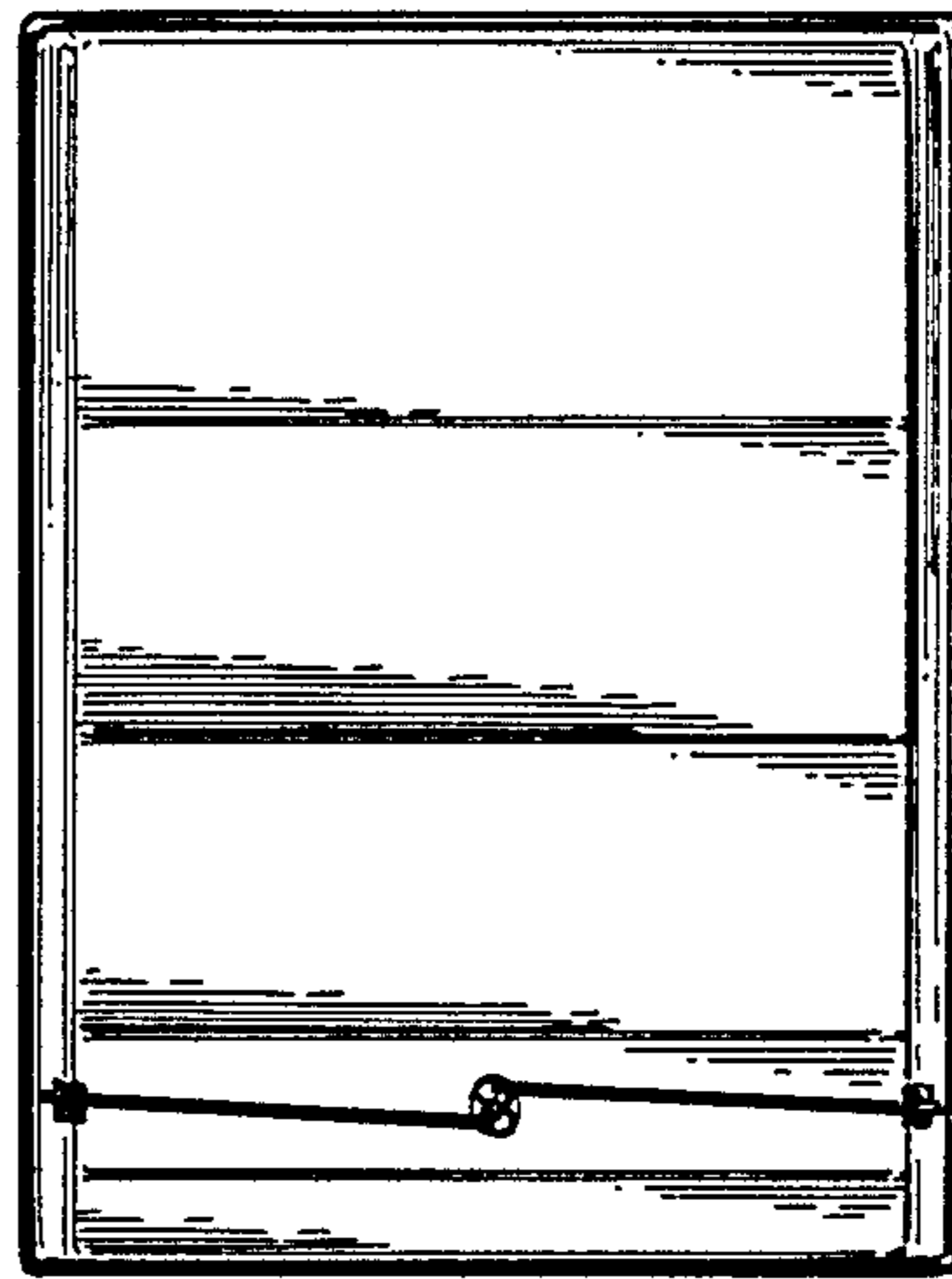


FIG. 2



FIG. 3



FIG. 4

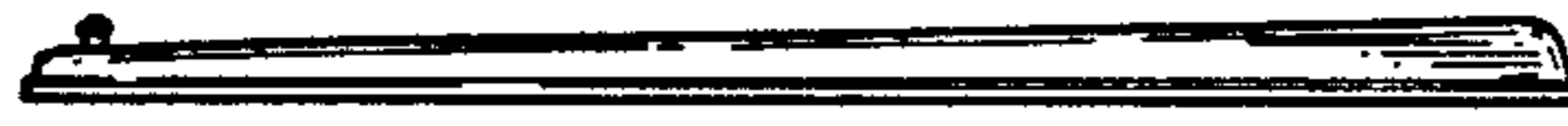


FIG. 5

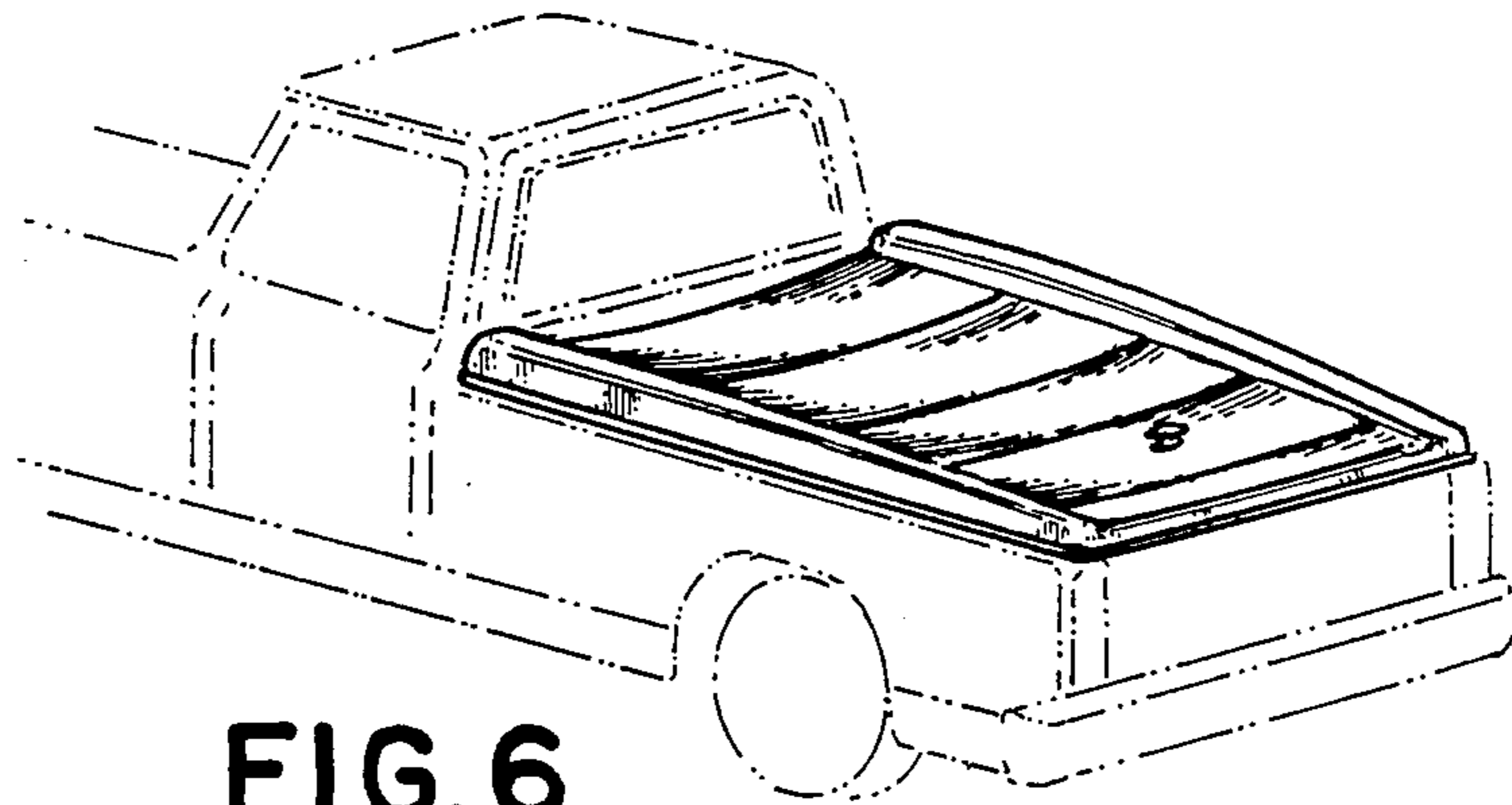


FIG. 6