

[54] **VAN ROOF FOR CUSTOMIZED
CONVERSION VANS**

[76] **Inventor: Boyd R. Mayhew, 122 Foursome La.,
Carl Junction, Mo. 64834**

[**] **Term: 14 Years**

[21] **Appl. No.: 218,050**

[22] **Filed: Jul. 12, 1988**

[52] **U.S. Cl. D12/156**

[58] **Field of Search D12/156; 296/26, 100,
296/102, 156, 210, 165, 175**

[56] **References Cited**

U.S. PATENT DOCUMENTS

D. 269,007 5/1983 Rastegar D12/156
D. 285,059 8/1986 Nardi D12/156

D. 286,394 10/1986 Johnson et al. D12/156

Primary Examiner—James M. Gandy
Attorney, Agent, or Firm—Kerkam, Stowell, Kondracki
& Clarke

[57] **CLAIM**

The ornamental design for a van roof for customized conversion vans, as shown and described.

DESCRIPTION

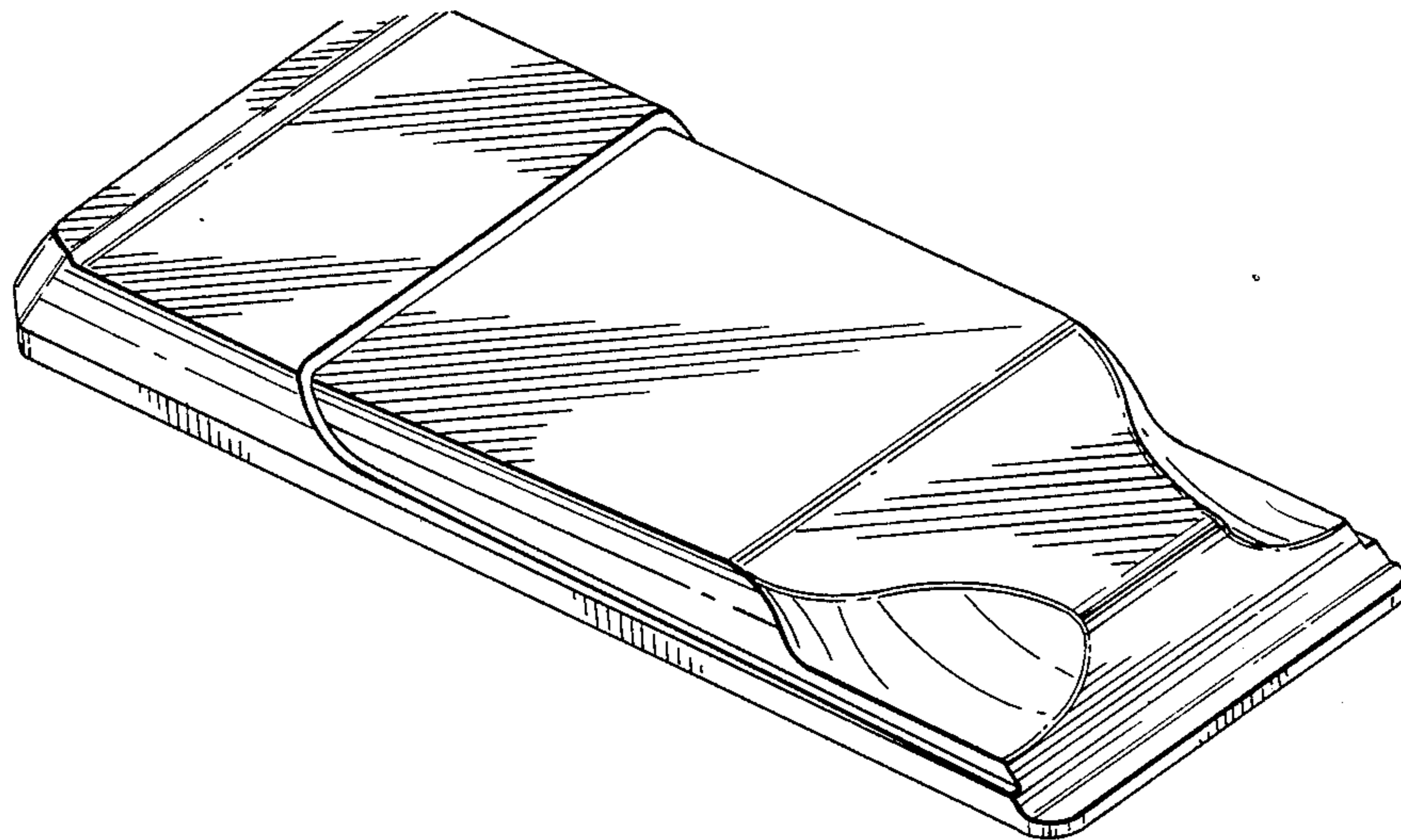
FIG. 1 is a perspective view of the top, front and one side of a van roof for customized conversion vans showing my new design;

FIG. 2 is a side elevation view thereof, the opposite side being a mirror image of that shown;

FIG. 3 is a front elevation view thereof;

FIG. 4 is a rear elevation view thereof; and

FIG. 5 is a bottom plan view thereof.



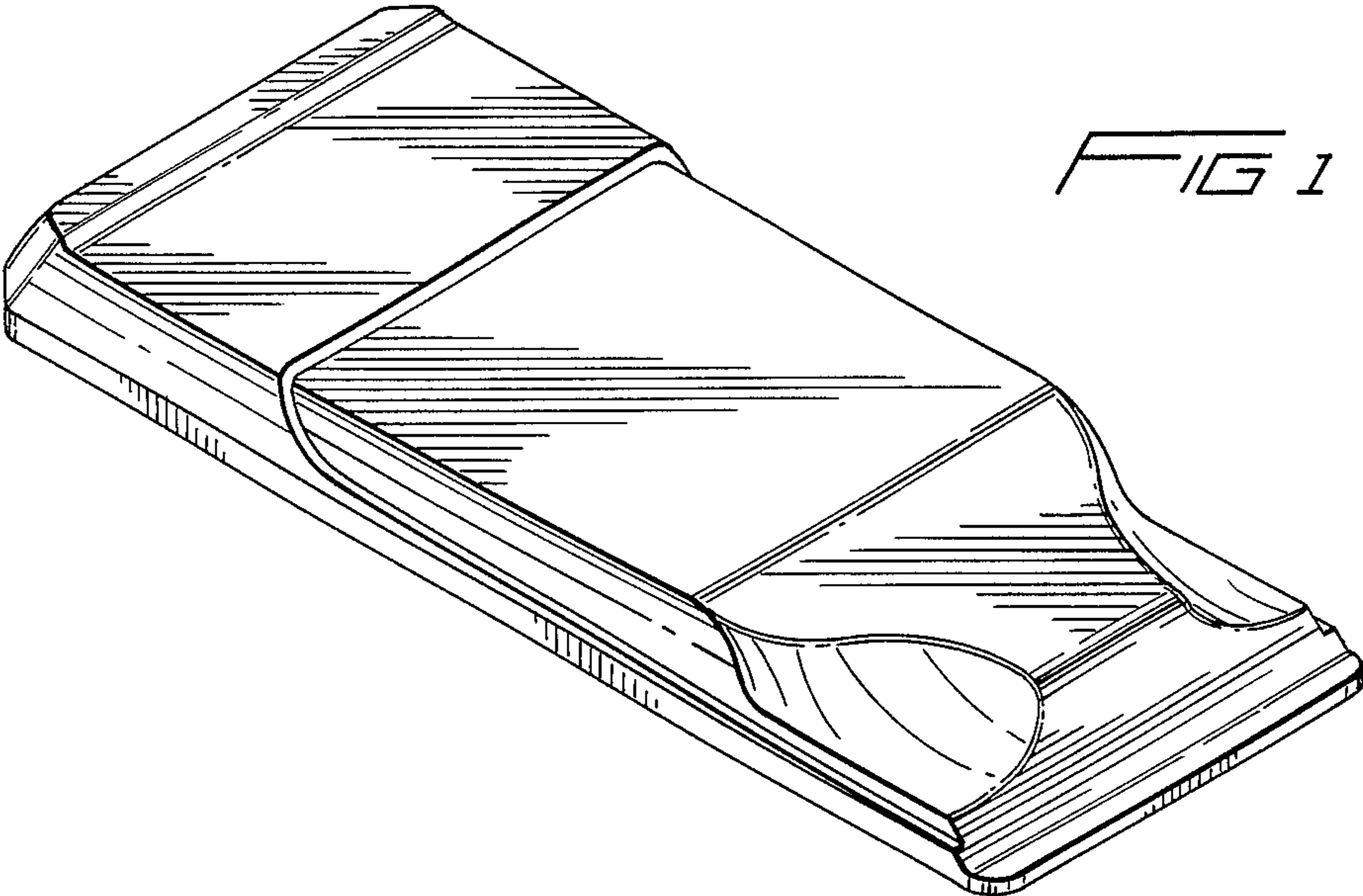


FIG 1

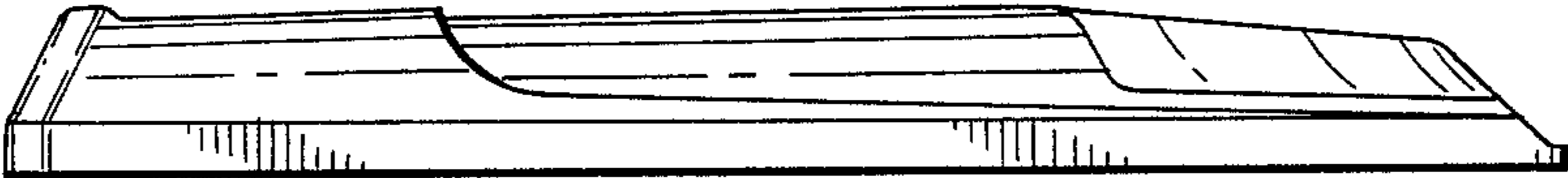


FIG 2

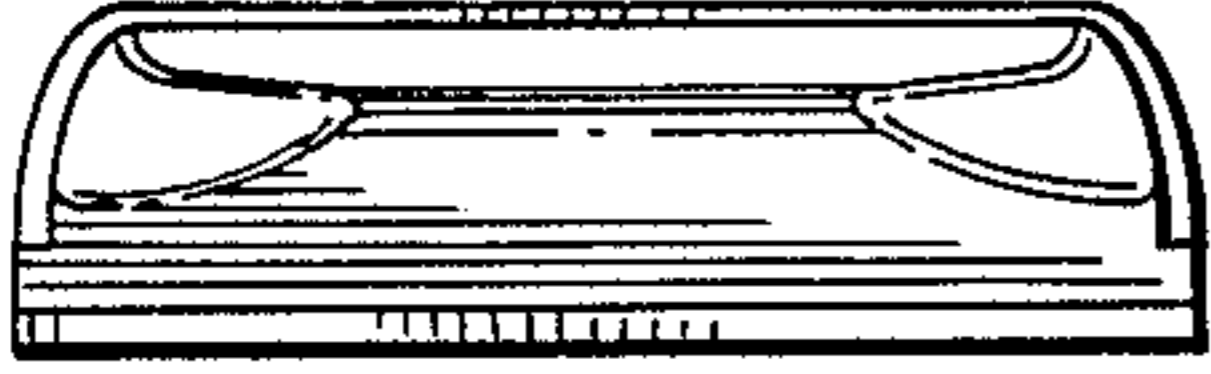


FIG 3

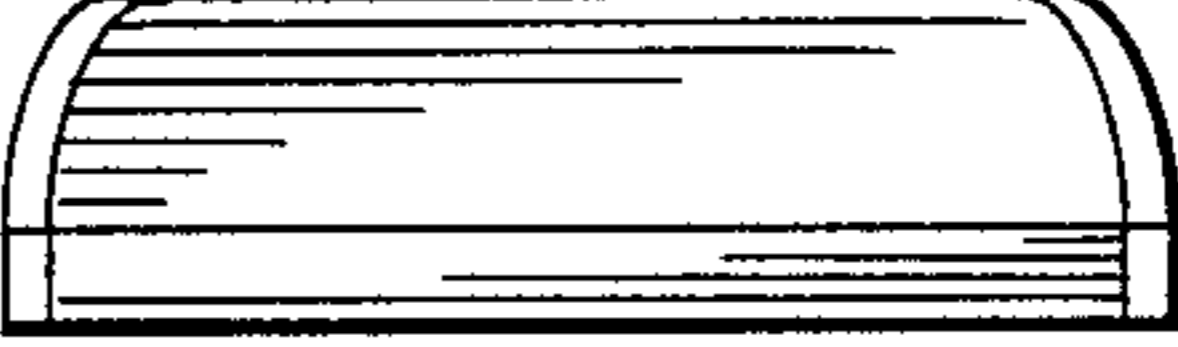


FIG 4

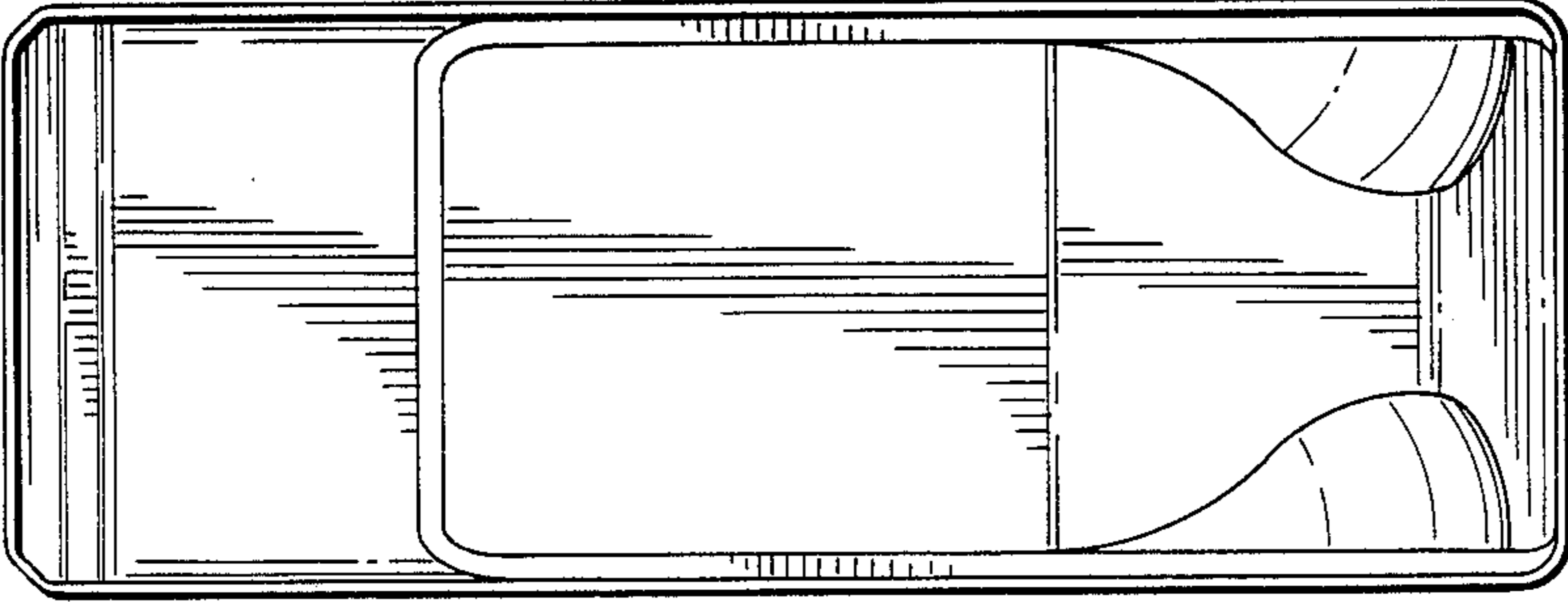


FIG 5