

[54] **TOWING VEHICLE BODY**

[75] **Inventor: Leslie Bubik, Toronto, Canada**

[73] **Assignee: Vulcan Equipment Company,
Ontario, Canada**

[**] **Term: 14 Years**

[21] **Appl. No.: 155,621**

[22] **Filed: Feb. 12, 1988**

[52] **U.S. Cl. D12/14**

[58] **Field of Search D12/14; 414/563;
280/402**

[56] **References Cited**

U.S. PATENT DOCUMENTS

D. 252,921	9/1979	Nespor	D12/14
D. 297,131	8/1988	Thomison	D12/14
4,451,193	5/1984	Cannon, Jr. et al.	280/402
4,737,066	4/1988	Allison, Jr.	D12/14

Primary Examiner—James M. Gandy
Assistant Examiner—Melody Brown
Attorney, Agent, or Firm—Niro, Scavone, Haller & Niro, Ltd.

[57] **CLAIM**

The ornamental design for a towing vehicle body, as shown and described.

DESCRIPTION

FIG. 1 is a rear perspective view of a towing vehicle body showing my new design, it being understood that the broken lines are for illustrative purposes only and form no part of the claimed design;
FIG. 2 is a top plan view thereof;
FIG. 3 is a side elevational view thereof;
FIG. 4 is a rear elevational view thereof; and
FIG. 5 is an enlarged fragmentary perspective view of the side shown in FIG. 1 with the tool compartment door in open condition.

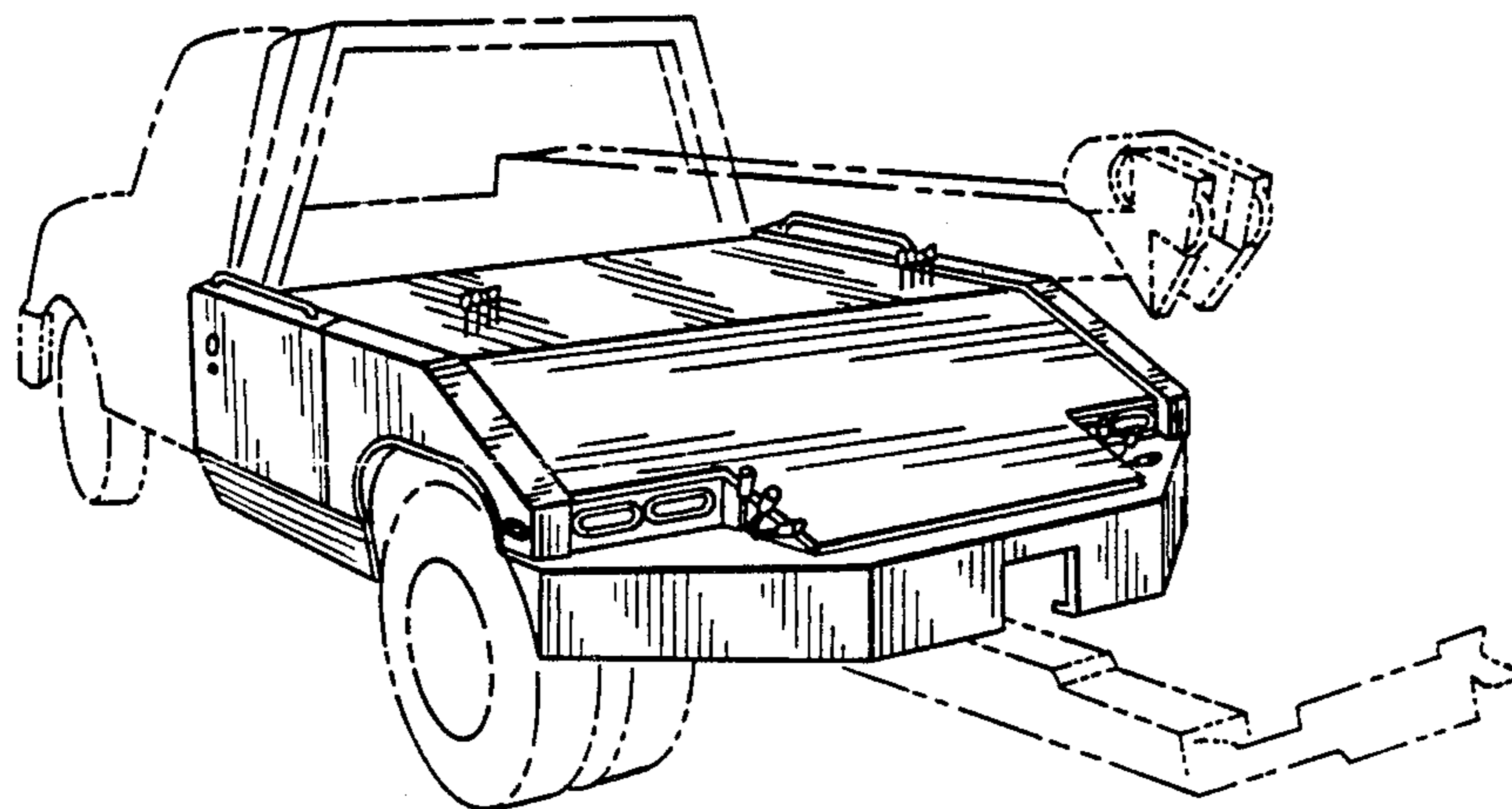


FIG. 1

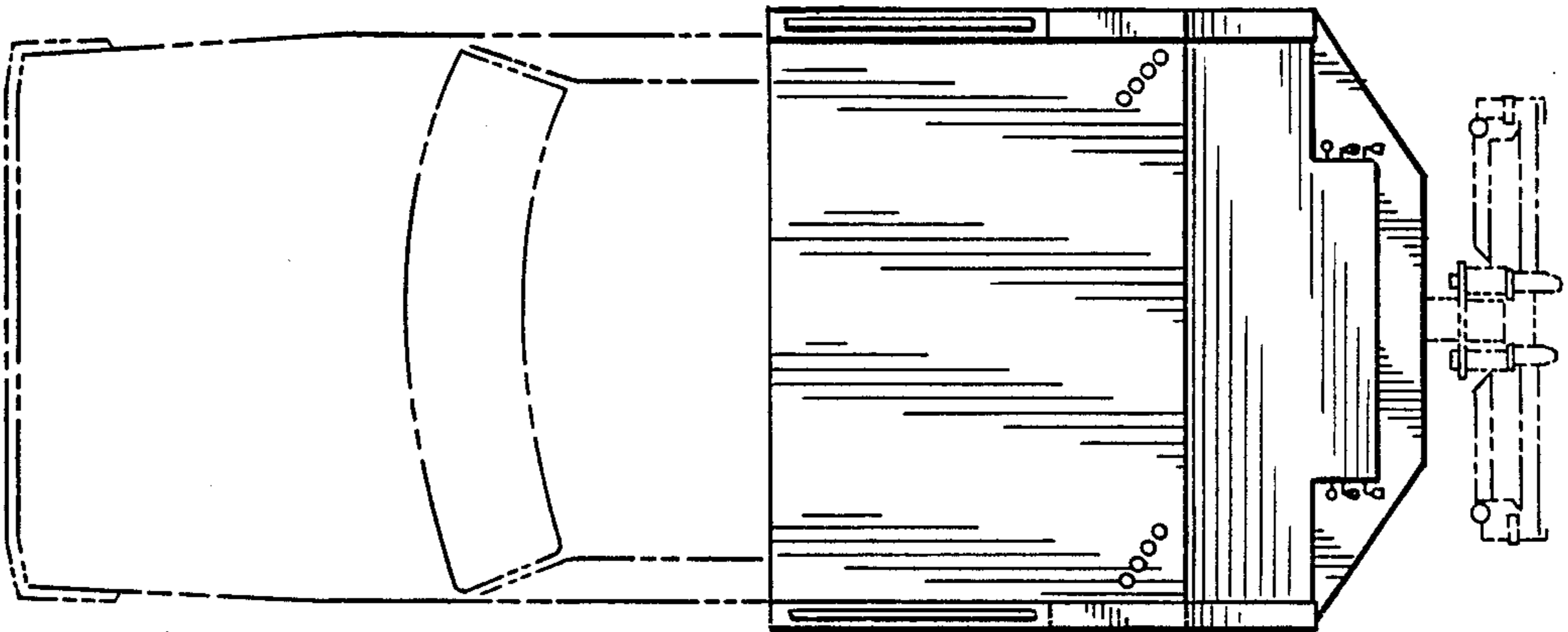
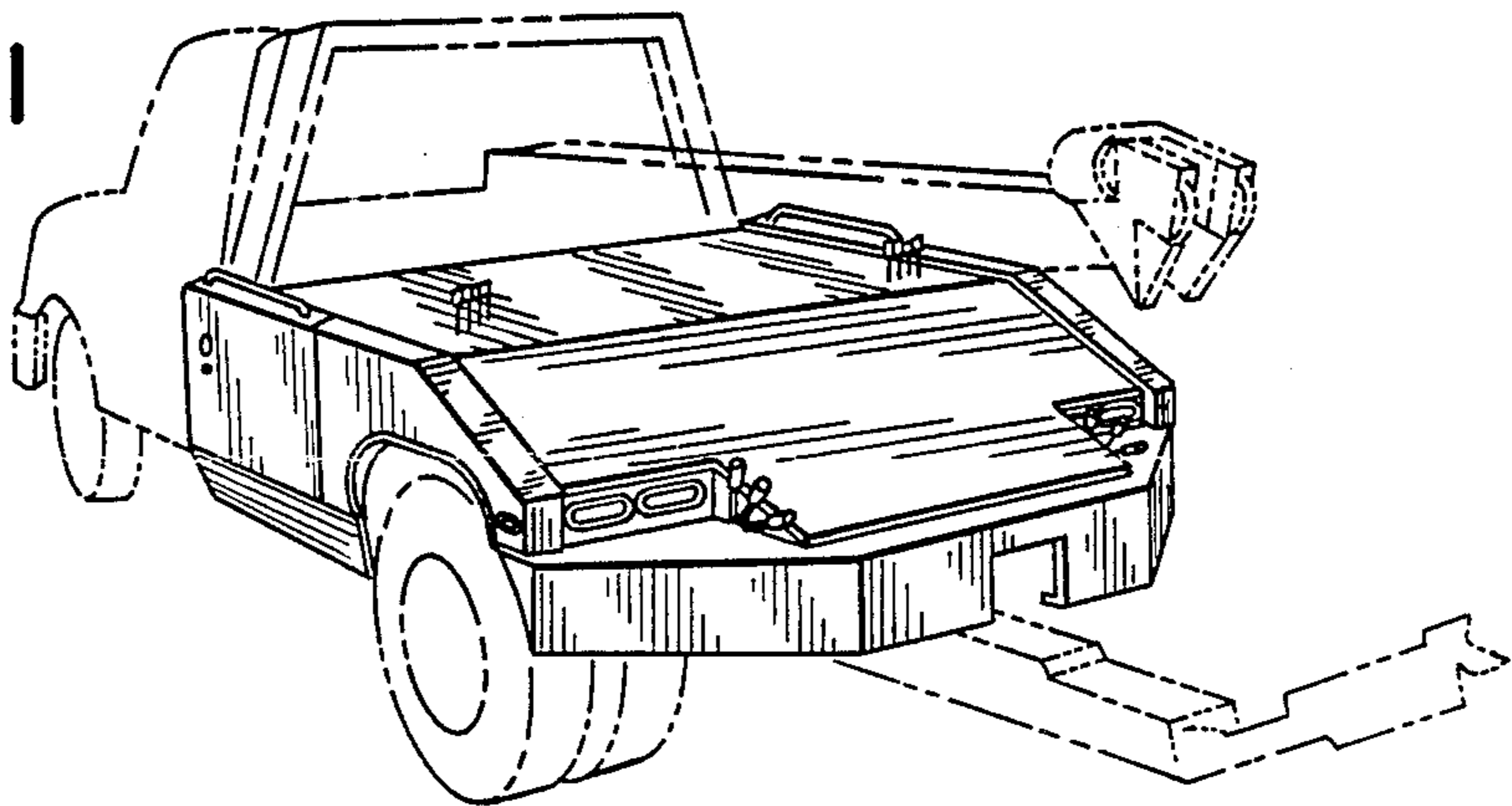


FIG. 2

FIG. 3

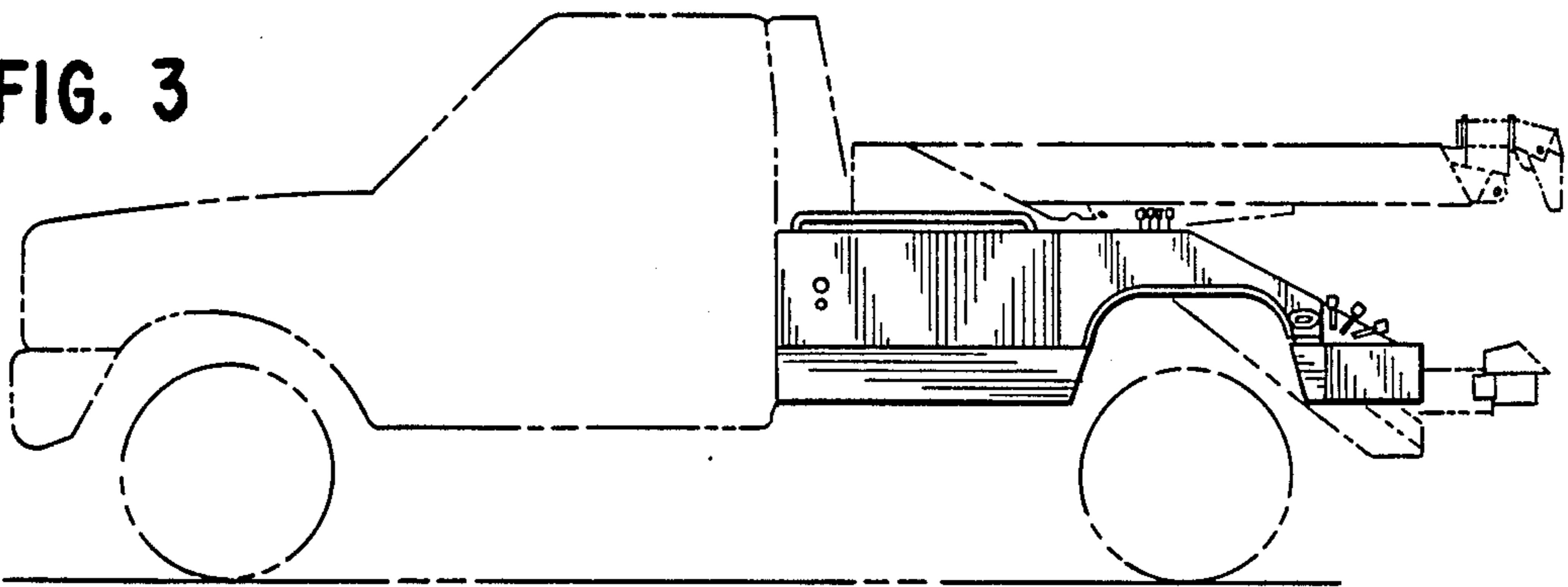


FIG. 4

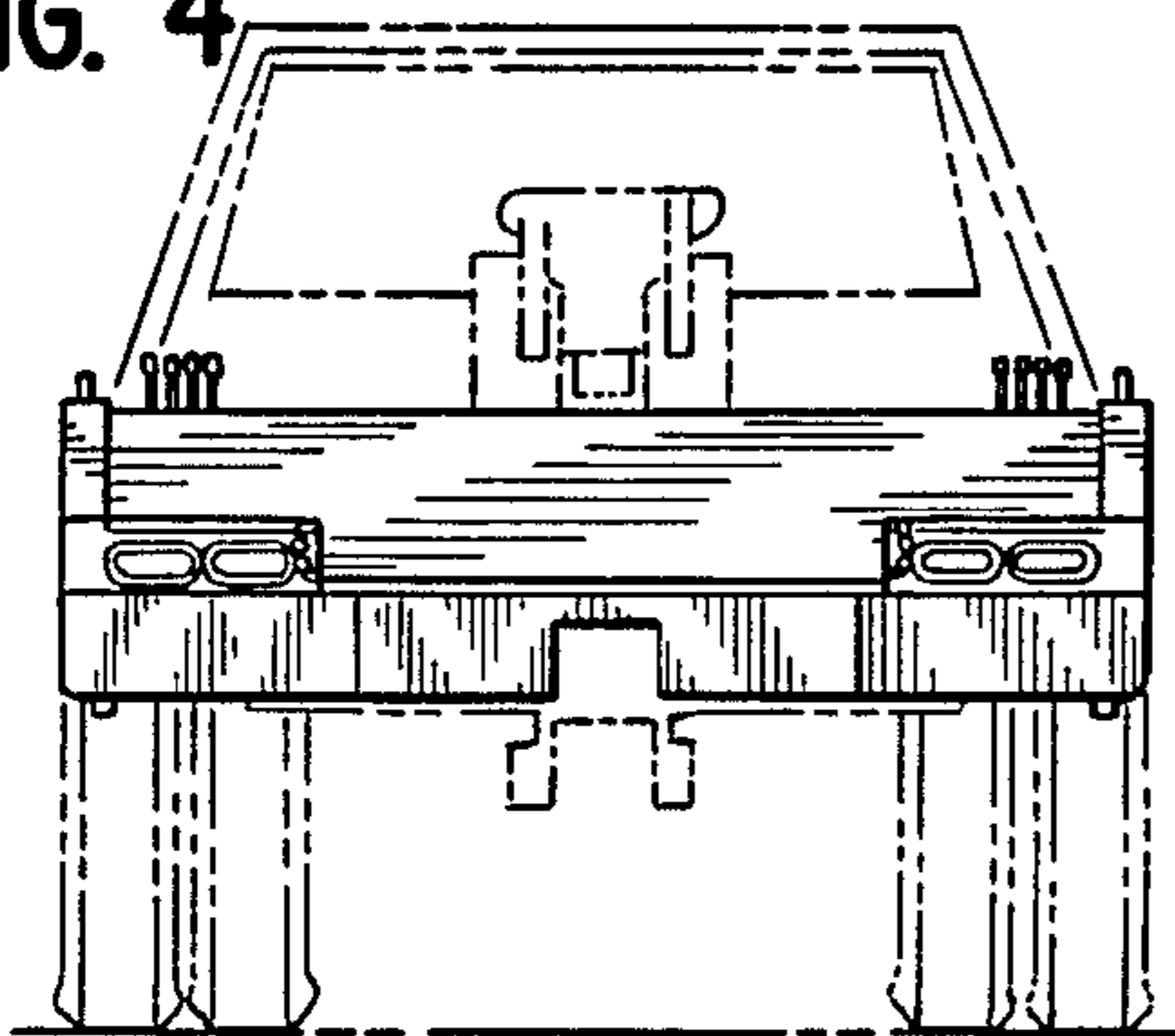


FIG. 5

