

[54] **CHAIN-LIKE NECKLACE**

[75] **Inventor: Paolo Bulgari, Roma, Italy**  
[73] **Assignee: Partecipazioni Bulgari S.p.A., Rome, Italy**  
[\*\*] **Term: 14 Years**  
[21] **Appl. No.: 132,118**  
[22] **Filed: Dec. 14, 1987**

[30] **Foreign Application Priority Data**

Jun. 22, 1987 [IT] Italy ..... 35871/87[U]  
[52] **U.S. Cl. .... D11/3; D11/13; D11/93**  
[58] **Field of Search .... D11/1-25, D11/37-39, 93, 94; 63/1.1-2, 12-13, 14.1, 4, 5; 59/79.3, 80, 82, 3, 90**

[56] **References Cited**

**U.S. PATENT DOCUMENTS**

2,451,780 10/1948 Siska ..... 63/4  
4,348,861 9/1982 Nakagawa ..... 59/3

**FOREIGN PATENT DOCUMENTS**

950363 10/1956 Fed. Rep. of Germany ..... 63/11

0181205 6/1922 United Kingdom ..... 59/79.3  
0440268 12/1935 United Kingdom ..... 63/5

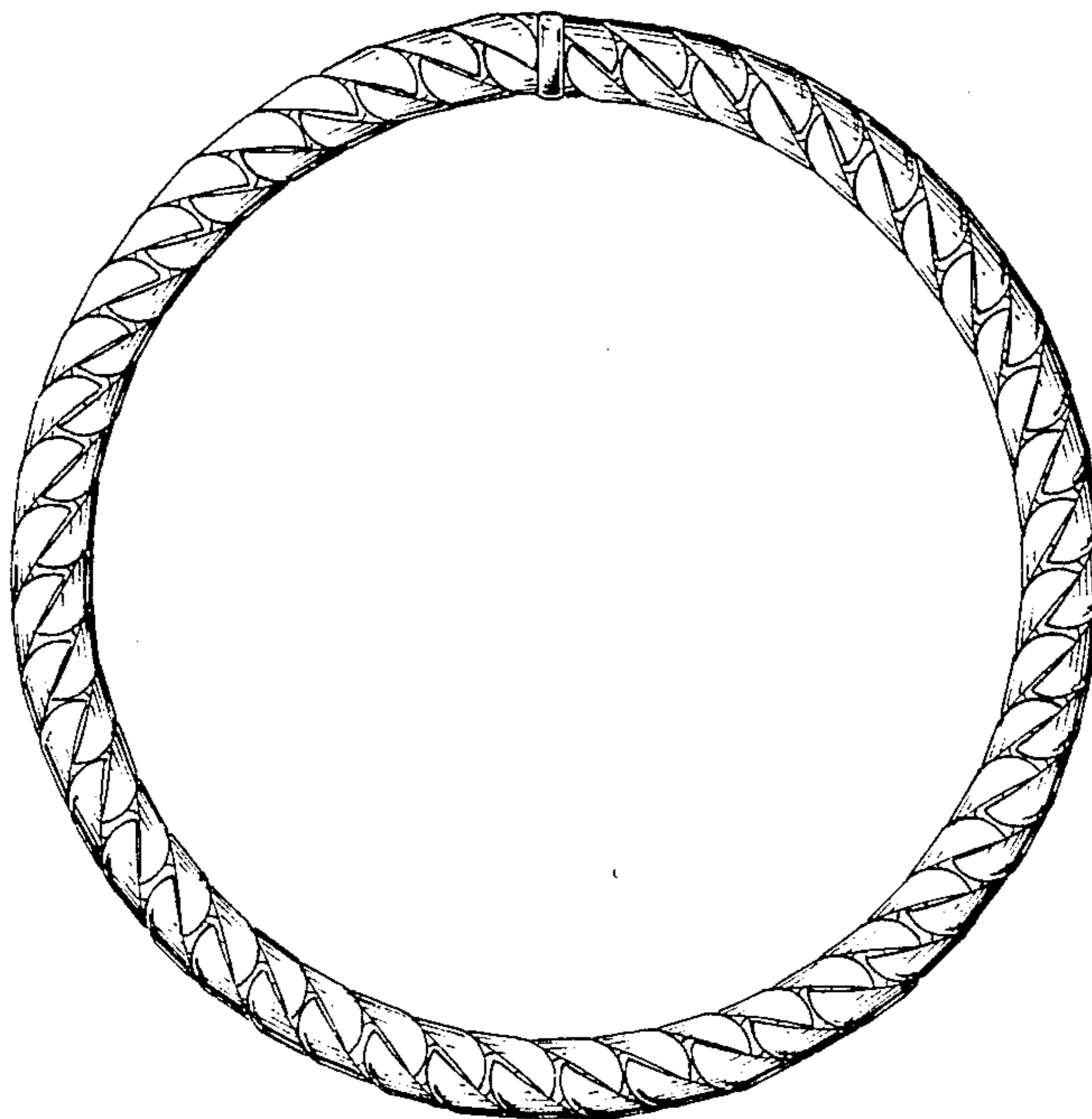
*Primary Examiner*—Louis S. Zarfes  
*Assistant Examiner*—R. T. Seifers  
*Attorney, Agent, or Firm*—Barnes, Kisselle, Raisch, Choate, Whittemore & Hulbert

[57] **CLAIM**

The ornamental design for a necklace, as shown and described.

**DESCRIPTION**

FIG. 1 shows a top plan view of the necklace;  
FIG. 2 shows a fragmentary side elevational view of a portion of the necklace;  
FIG. 3 shows a fragmentary bottom plan view of a portion of the necklace;  
FIG. 4 is a fragmentary bottom view on an enlarged scale of a plurality of the link elements utilized in the necklace;  
FIG. 5 is a fragmentary side view on an enlarged scale of a plurality of the link elements utilized in the necklace;  
FIG. 6 is a sectional view taken along the line 6—6 in FIG. 4; and  
FIG. 7 is a sectional view taken along the line 7—7 in FIG. 4.



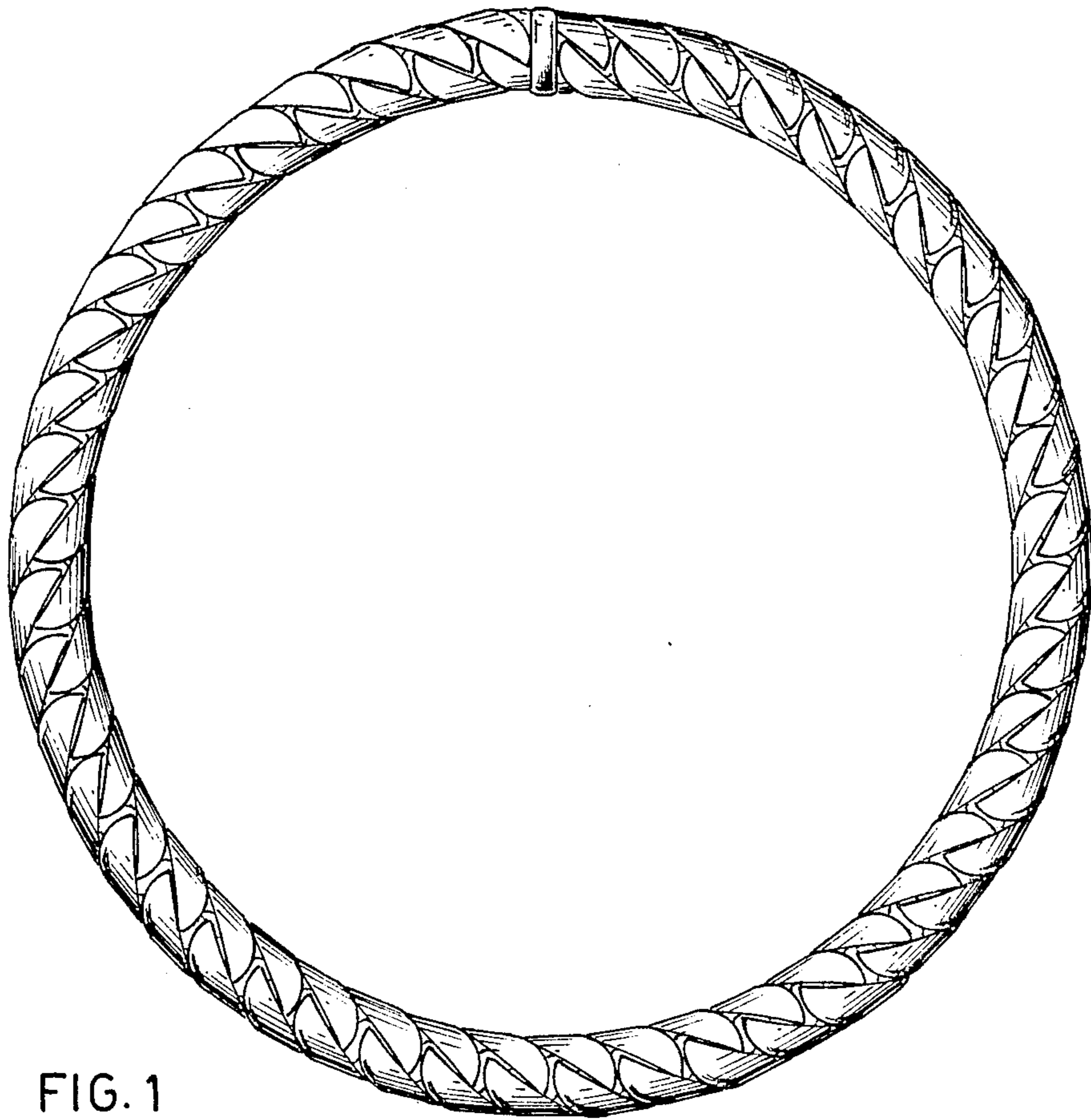
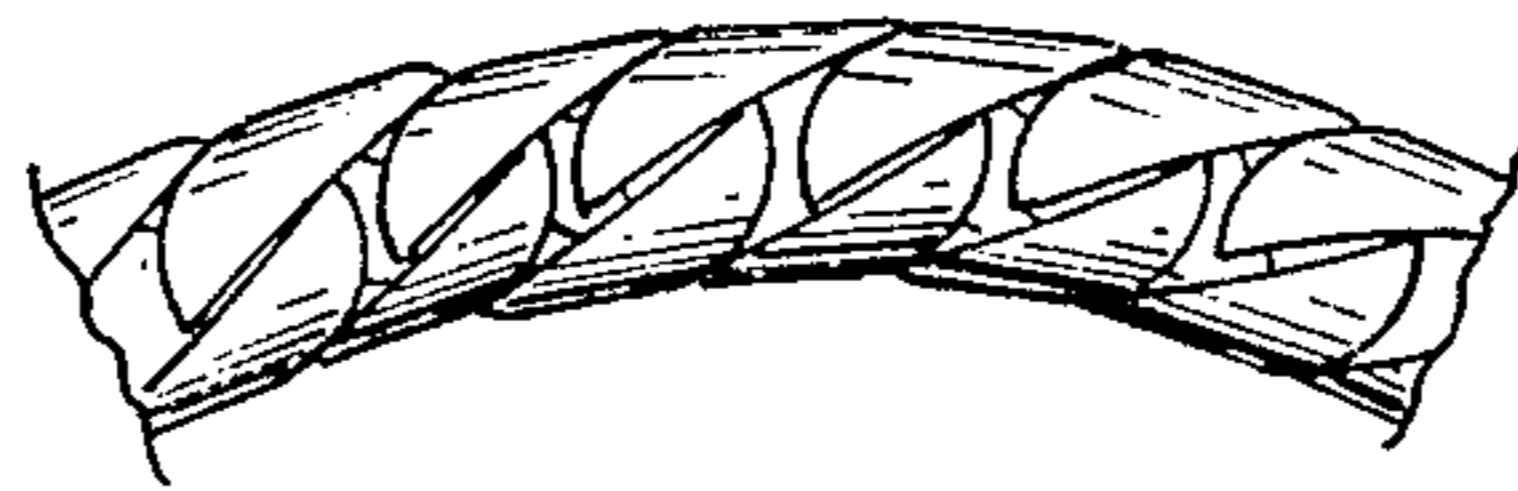


FIG. 1

FIG. 2



FIG. 3



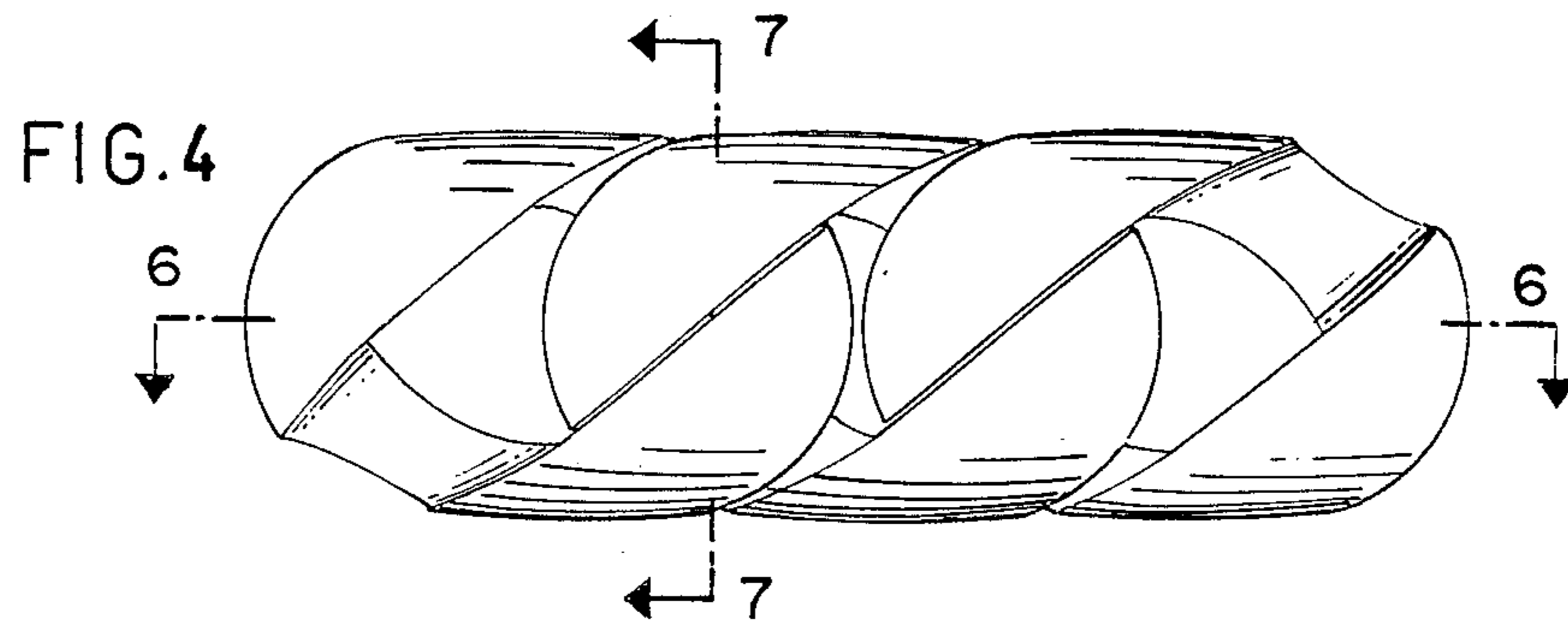


FIG. 5

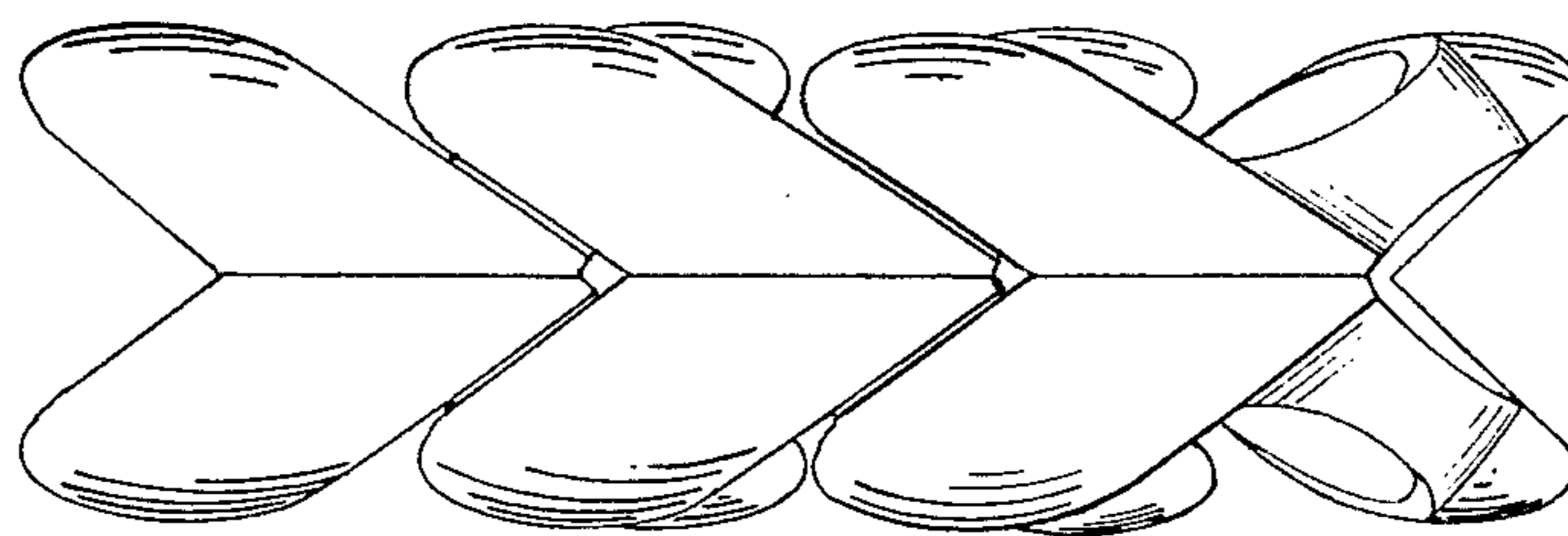


FIG. 6

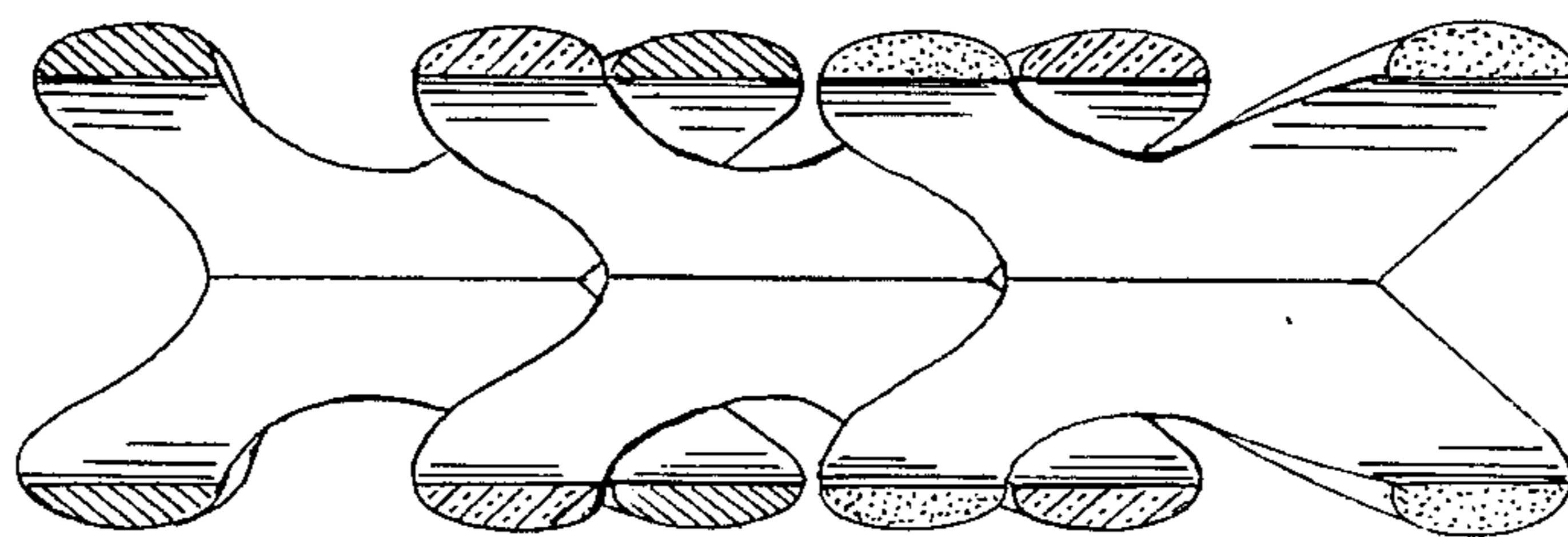


FIG. 7

