

[54] WHEEL CAMBER METER MOUNTING

[75] Inventors: Andrew E. Wilkinson, Torshälla; Karl E. P. Andersson, Falköping, both of Sweden

[73] Assignee: Nicator AB, Eskilstuna, Sweden

[**] Term: 14 Years

[21] Appl. No.: 116,333

[22] Filed: Nov. 3, 1987

[52] U.S. Cl. D10/82

[58] Field of Search D10/46, 65, 70, 73, D10/74, 82; 33/203, 203.15, 203.17, 203.18, 203.19, 203.20, 203.21, 301, 335, 336, 337

[56] References Cited

U.S. PATENT DOCUMENTS

D. 143,691	1/1946	While	D10/82 X
D. 246,957	1/1978	Morrison et al.	D10/82 X
D. 273,945	5/1984	Homer et al.	D10/82 X
2,566,435	9/1951	Trimmer	33/203.19 X
2,586,194	2/1952	Wochner	33/335
3,869,798	3/1975	Wilkerson	33/203.18 X

4,255,865	3/1981	Levene	33/203.18 X
4,271,599	6/1981	Pavitt	33/203.18 X
4,303,338	12/1981	Morrison et al.	33/203.18 X
4,413,420	11/1983	Hoffman et al.	33/203.17 X

FOREIGN PATENT DOCUMENTS

649737	8/1937	Fed. Rep. of Germany ...	33/203.17
272709	6/1927	United Kingdom	33/203
2025064	1/1980	United Kingdom	33/203.18

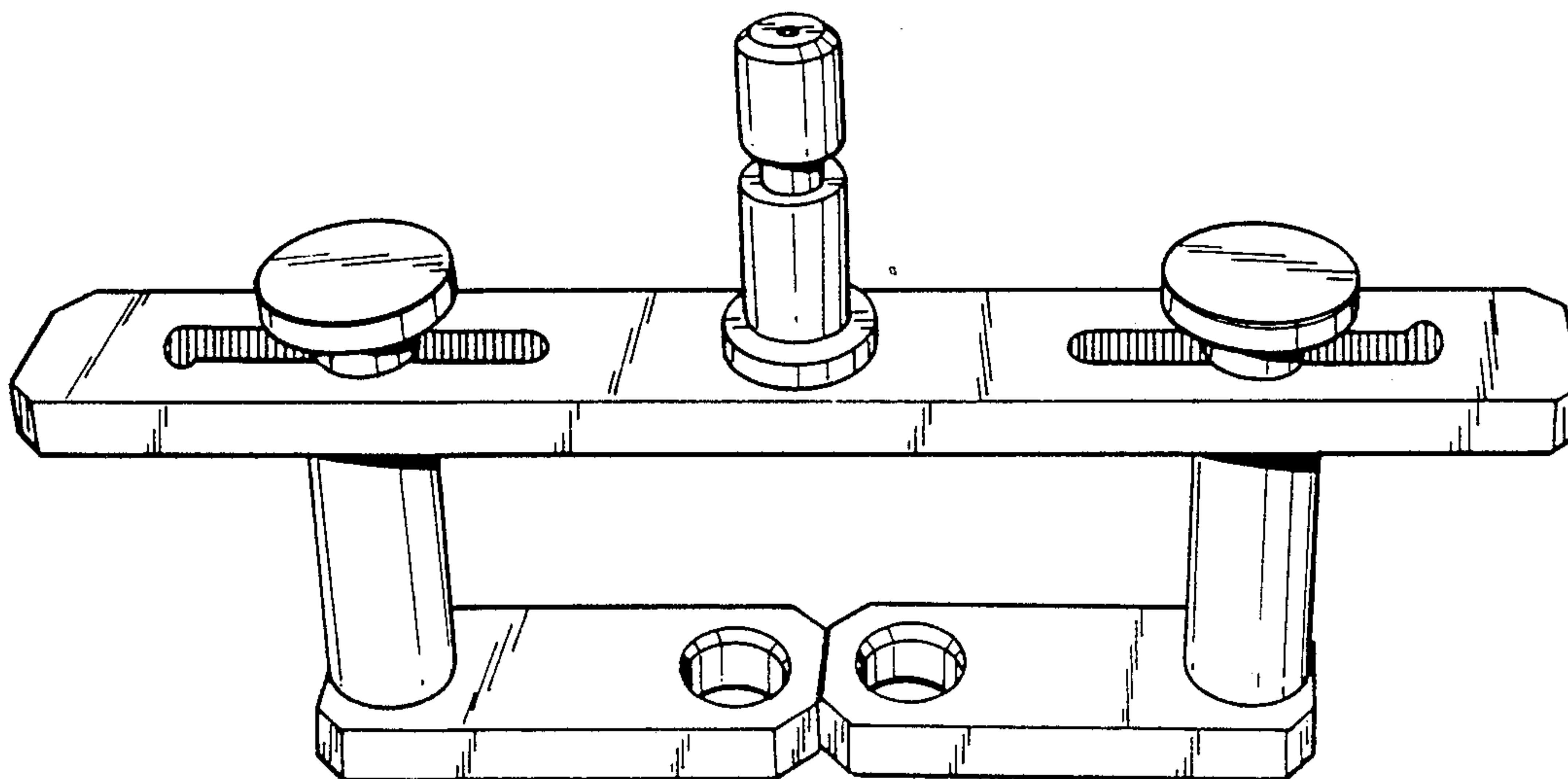
Primary Examiner—Nelson C. Holtje
Assistant Examiner—Antoine D. Davis
Attorney, Agent, or Firm—Young & Thompson

[57] CLAIM

The ornamental design for a wheel camber meter mounting, as shown and described.

DESCRIPTION

FIG. 1 is a top and front perspective view of a wheel camber meter mounting showing our new design; FIG. 2 is a bottom rear perspective view; FIG. 3 is a top and front perspective view, with the arms shown in an alternate position; and FIG. 4 is a front elevational view thereof.



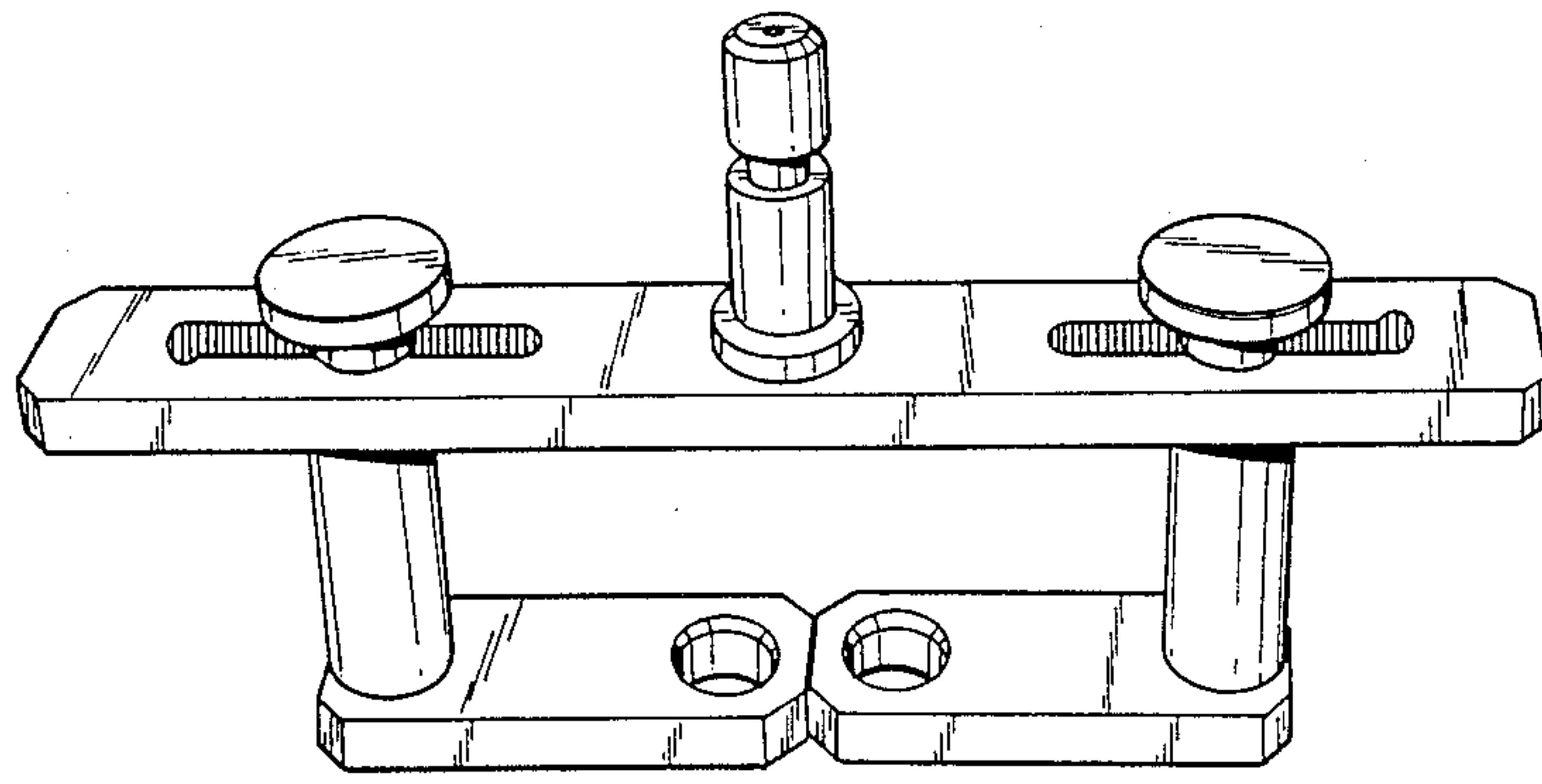


FIG. 1

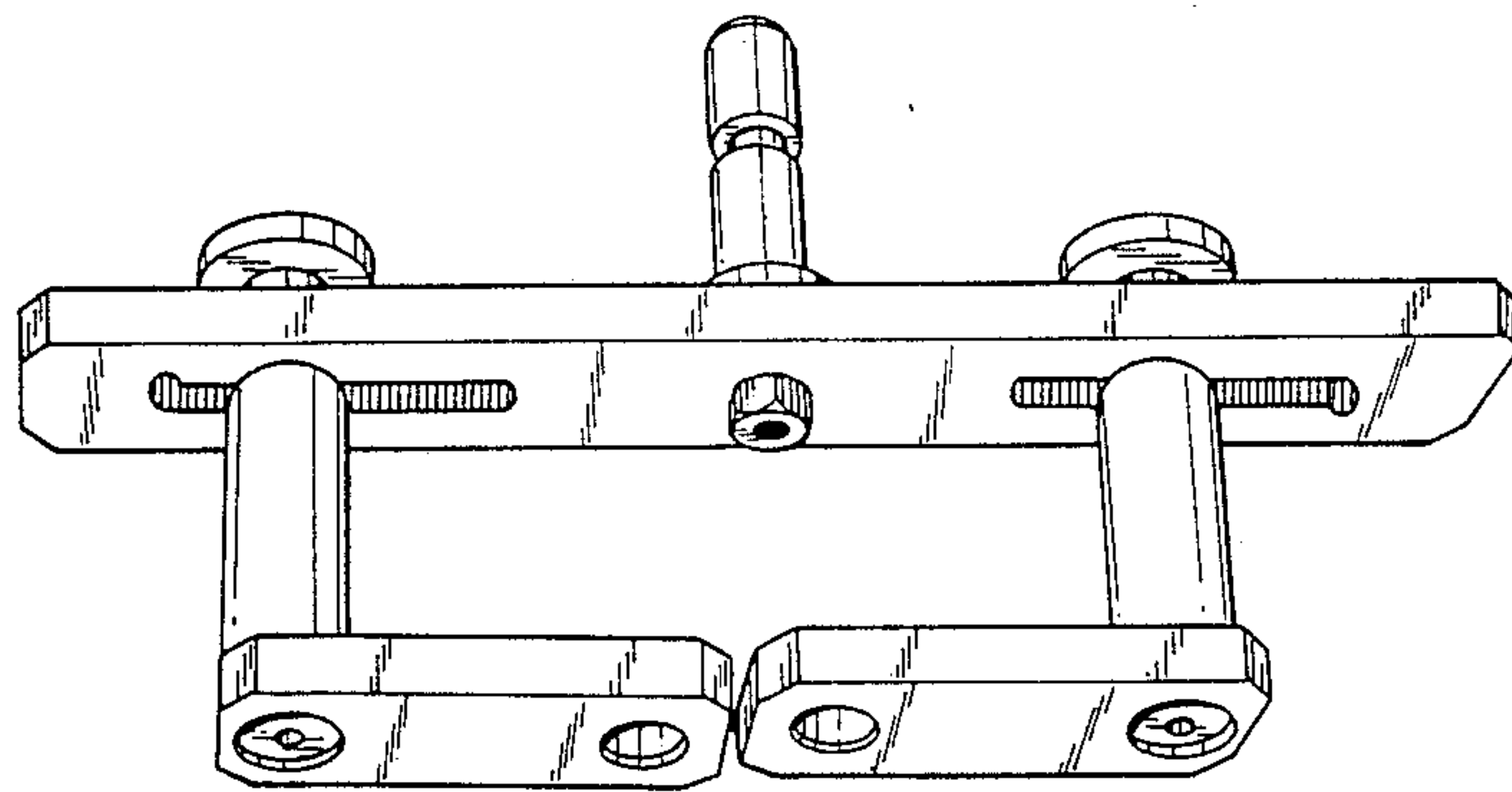


FIG. 2

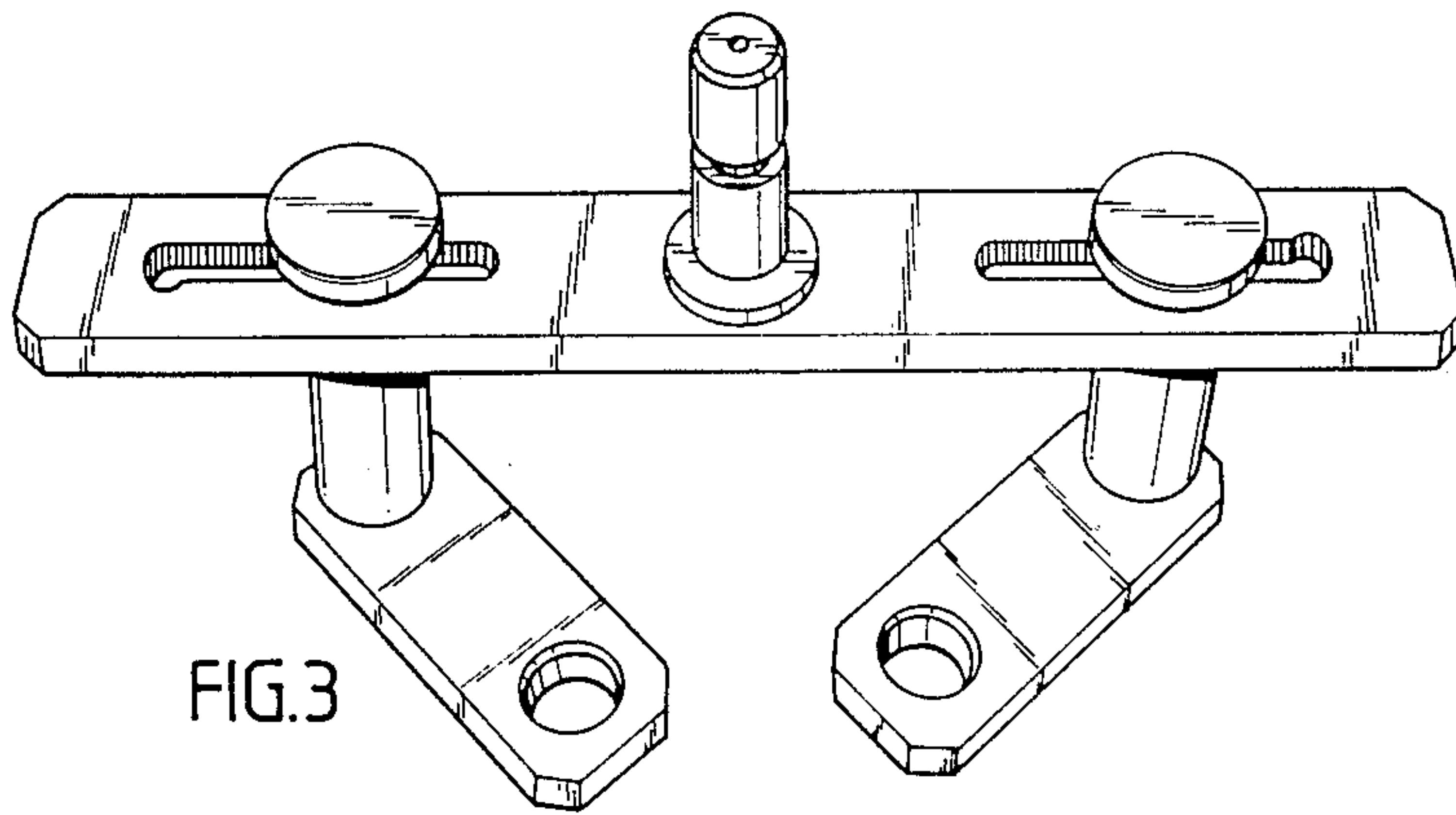


FIG. 3

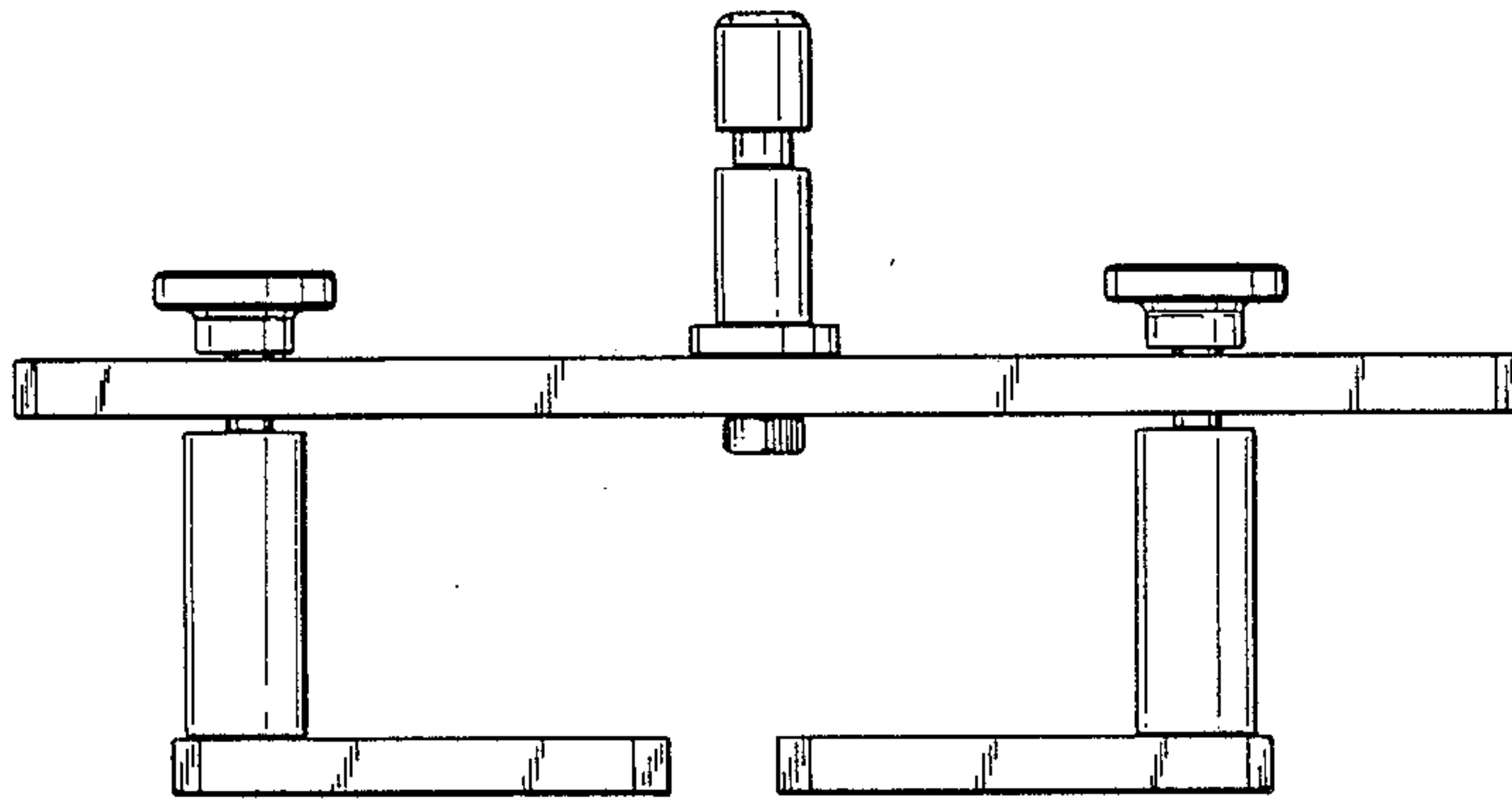


FIG. 4