

[54] **COMBINED COMPASS AND THERMOMETER**

[75] **Inventor: Marlin D. Iden, Riverton, Wyo.**

[73] **Assignee: The Brunton Company, Riverton, Wyo.**

[\*\*] **Term: 14 Years**

[21] **Appl. No.: 14,646**

[22] **Filed: Feb. 13, 1987**

[52] **U.S. Cl. .... D10/53**

[58] **Field of Search .... D10/46, 52, 53, 66, D10/68, 12, 15, 21; D19/37, 38; D3/62; 33/272, 273, 355 R, 354, 364, 365; 200/302.2; 206/37.1, 305; 374/100, 141, 142, 156**

[56] **References Cited**

**U.S. PATENT DOCUMENTS**

D. 273,847 5/1984 Yusa ..... D10/68  
D. 283,683 5/1986 Raitmaa ..... D10/68

D. 290,093 6/1987 Kramer et al. .... D10/68  
1,571,697 2/1926 Bernegau ..... 33/273  
2,358,589 9/1944 Piffath ..... 33/273  
4,438,568 3/1984 Kramer et al. .... 33/355 R X

*Primary Examiner*—Nelson C. Holtje  
*Assistant Examiner*—Antoine D. Davis  
*Attorney, Agent, or Firm*—John E. Reilly

[57] **CLAIM**

The ornamental design for a combined compass and thermometer, as shown and described.

**DESCRIPTION**

FIG. 1 is a top, front and right side perspective view of a combined compass and thermometer showing my new design;

FIG. 2 is a top plan view;

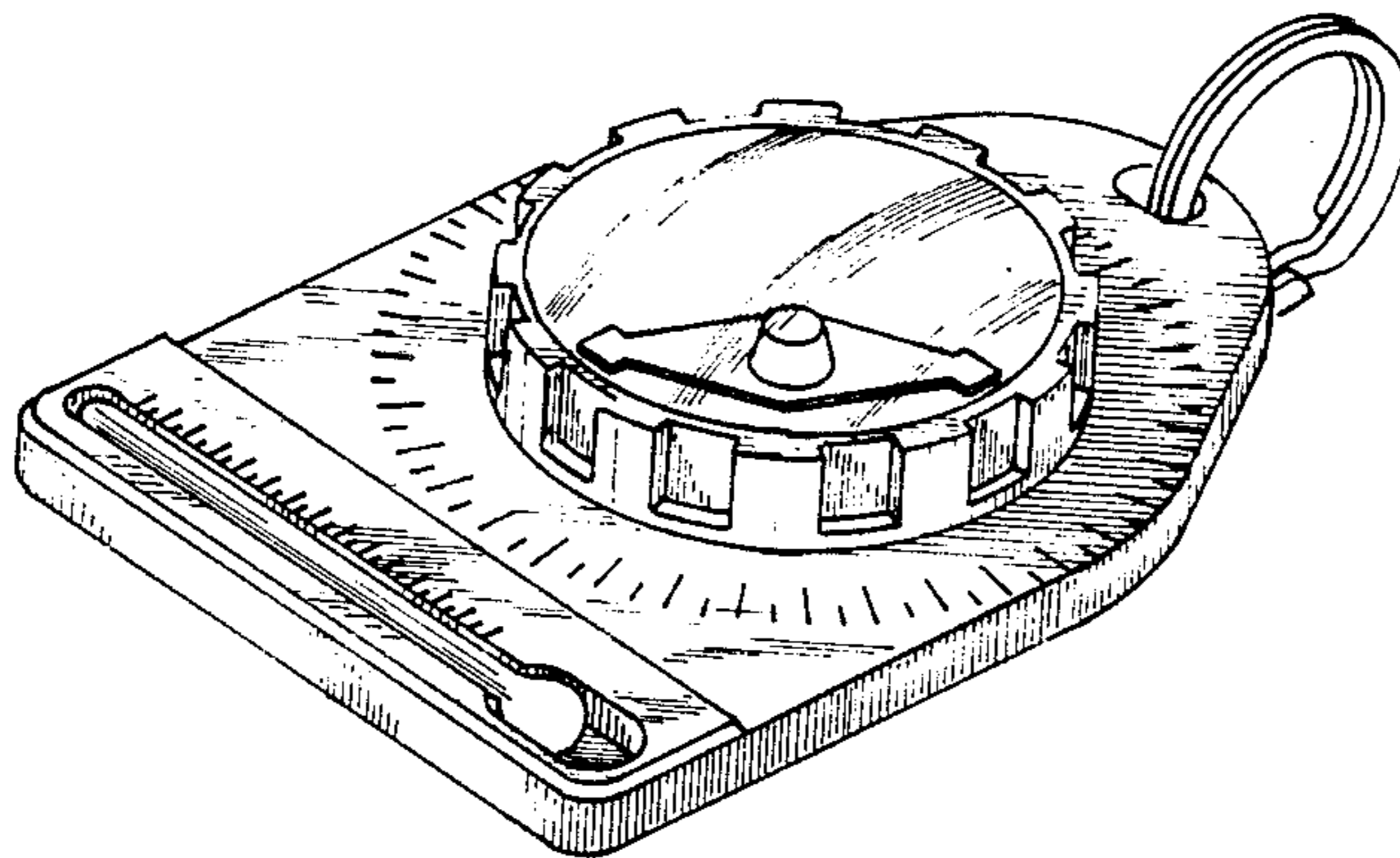
FIG. 3 is a bottom plan view;

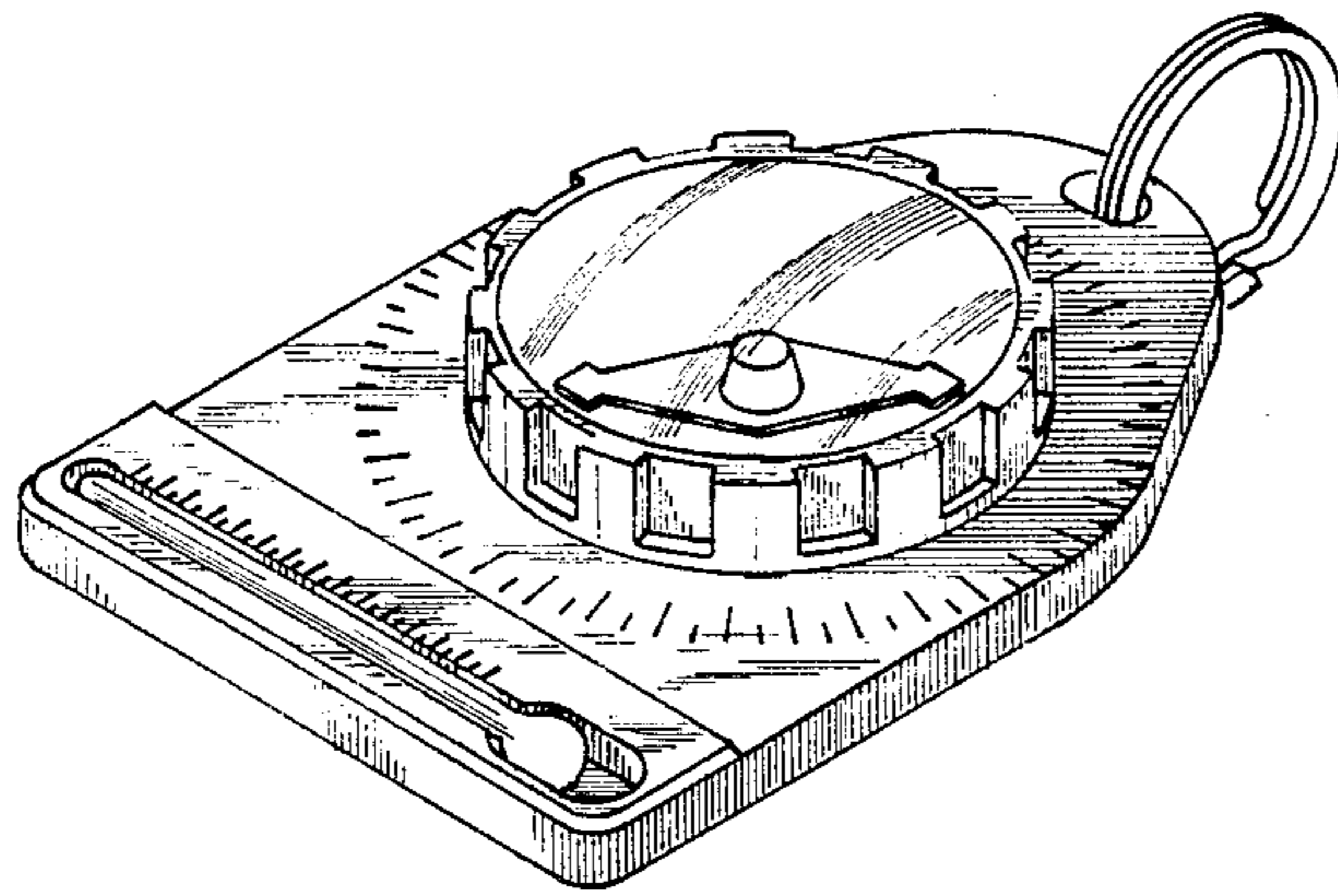
FIG. 4 is a right side elevational view;

FIG. 5 is a left side elevational view;

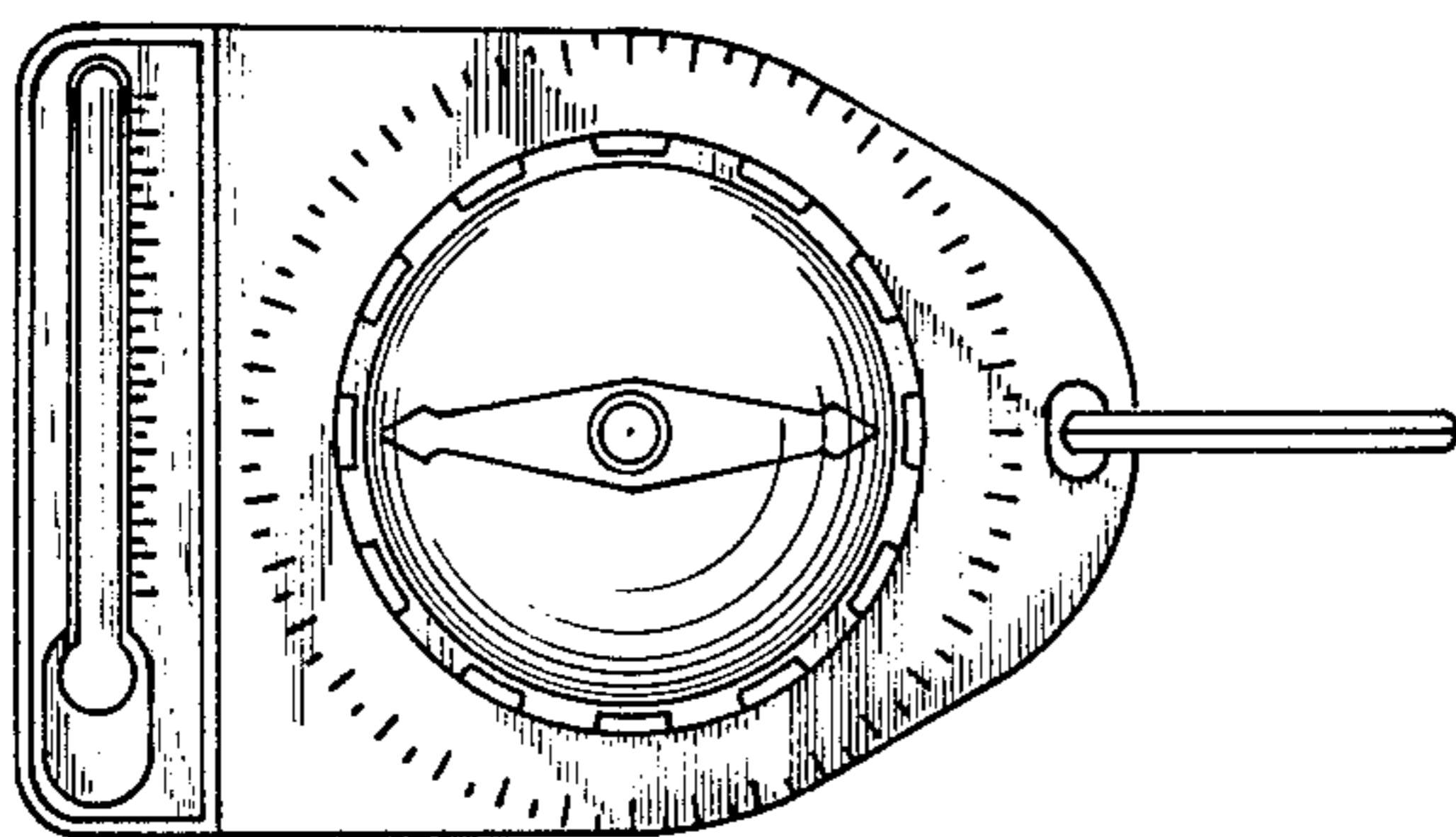
FIG. 6 is a rear elevational view; and

FIG. 7 is a front elevational view thereof.

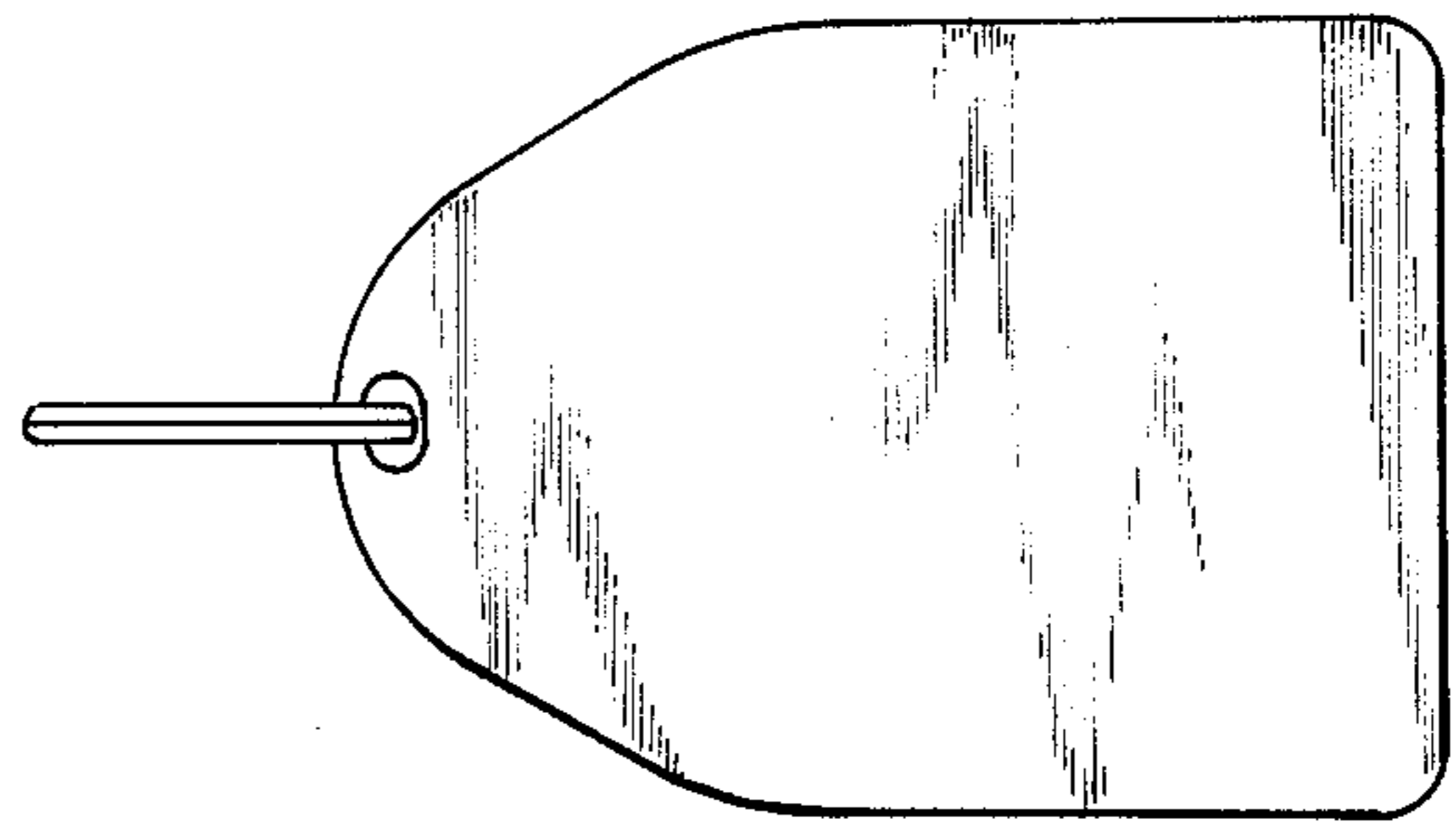




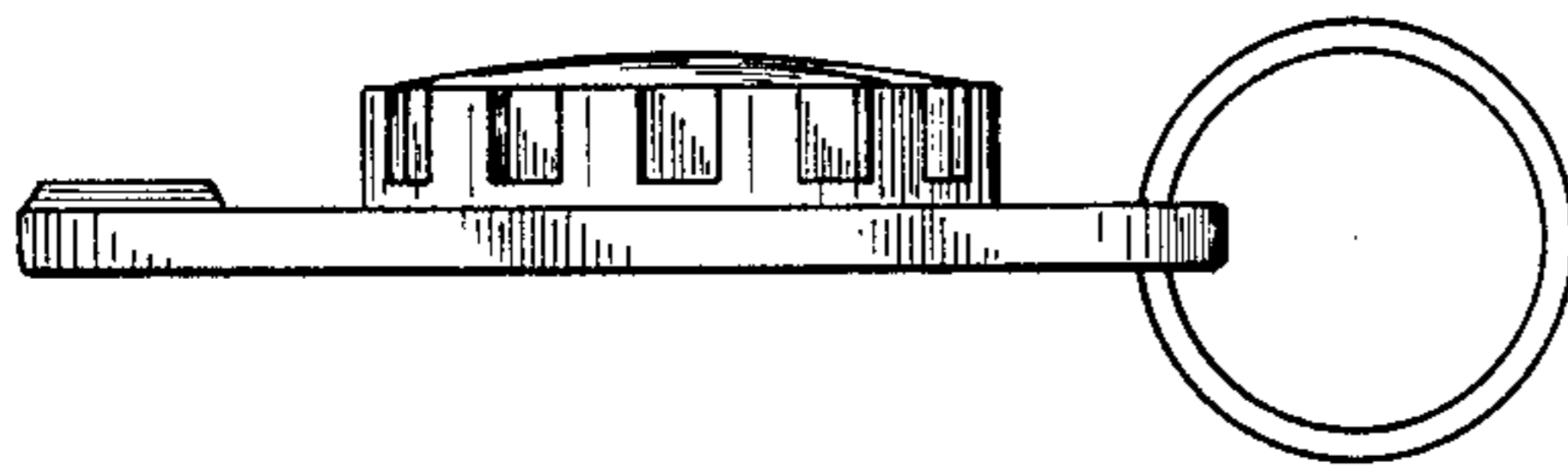
 1



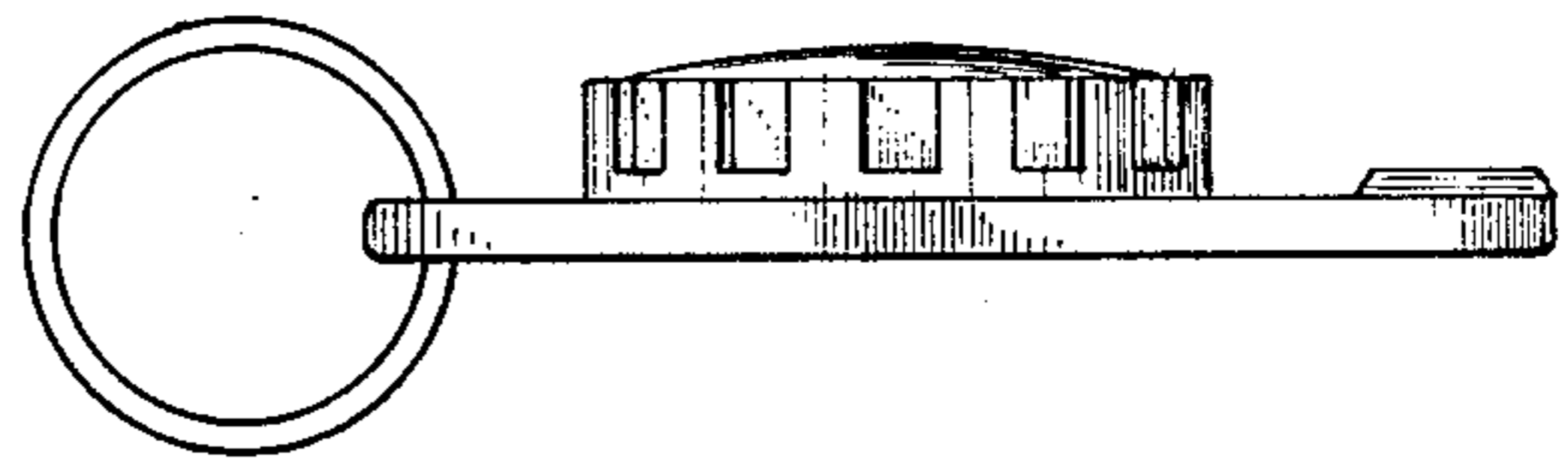
 2



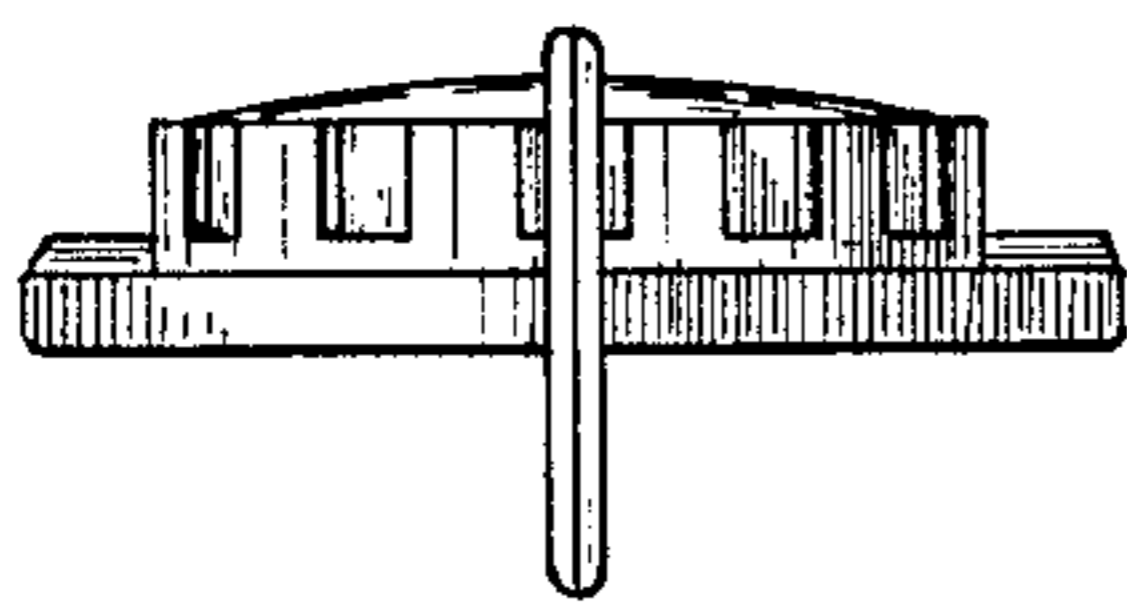
 3



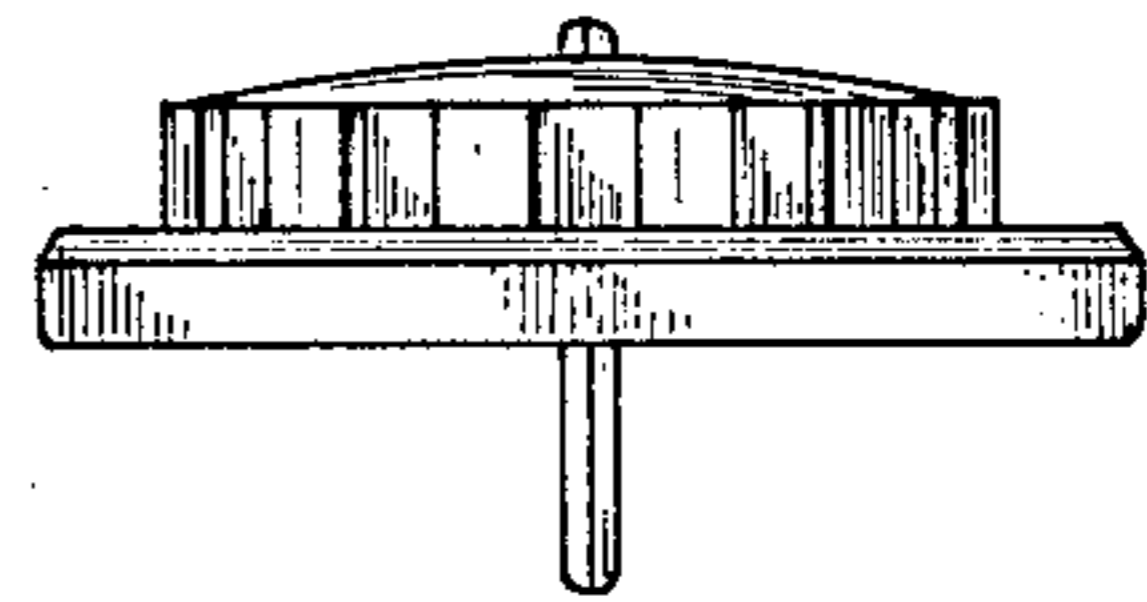
 4



 5



 6



 7