

[54] **LOCKING SCREW**

[76] **Inventor: Paul Huska, 739 Moreno Ave., Los Angeles, Calif. 90049**

[**] **Term: 14 Years**

[21] **Appl. No.: 64,443**

[22] **Filed: Jun. 22, 1987**

[52] **U.S. Cl. D8/387**

[58] **Field of Search D8/387; 411/378, 405, 411/411, 427; 439/812-815, 728, 797**

[56] **References Cited**

U.S. PATENT DOCUMENTS

- D. 215,545 9/1969 Huska .
- 1,439,657 12/1922 Zollner .
- 1,642,042 9/1927 Polk .
- 2,011,861 8/1935 Knumann .
- 2,166,346 7/1939 Douglas .
- 2,747,236 5/1956 French 411/427
- 3,001,178 9/1961 Swengel .
- 3,152,855 10/1964 Crowther .
- 3,246,283 4/1966 Huska .
- 3,304,392 2/1967 Isler .
- 3,915,545 10/1975 Salto .

- 3,989,345 11/1976 DeVito .
- 4,004,846 1/1977 Woertz .
- 4,454,382 6/1984 Borne et al. .
- 4,476,400 10/1984 Jo et al. .
- 4,643,513 2/1987 Martin .
- 4,832,628 5/1989 Huska .
- 4,907,989 3/1990 Huska 439/812

OTHER PUBLICATIONS

Eskay Catalog 1980 Stock List; p. 31; Round Washer Head (2nd from bottom, 2nd col.).

Primary Examiner—B. J. Bullock
Attorney, Agent, or Firm—Cislo & Thomas

[57] **CLAIM**

The ornamental design for a locking screw, as shown and described.

DESCRIPTION

FIG. 1 is a perspective view of a locking screw showing my new design.
FIG. 2 is a top view thereof;
FIG. 3 is a rear view thereof;
FIG. 4 is a front view thereof; and
FIG. 5 is a bottom view thereof.

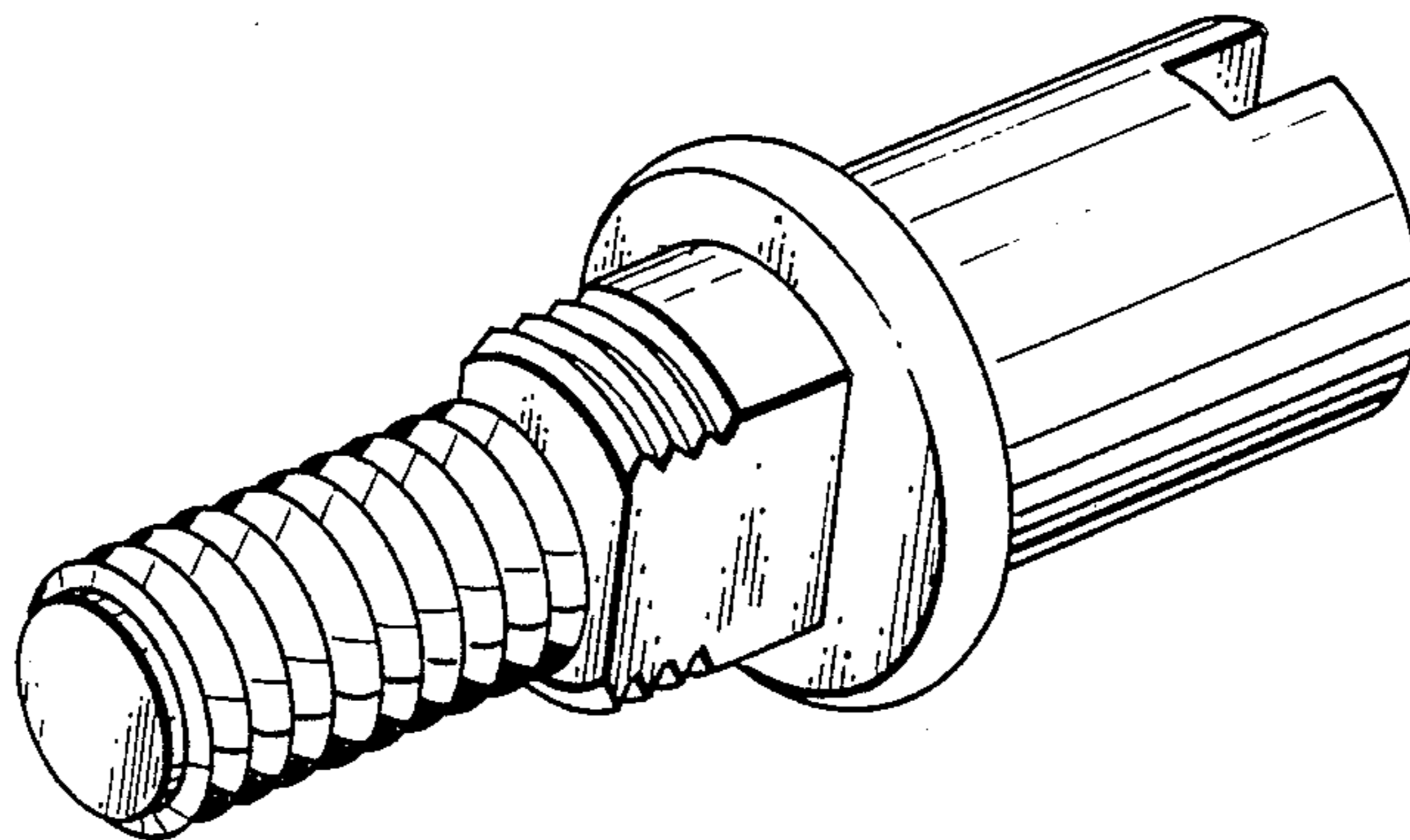


Fig. 1.

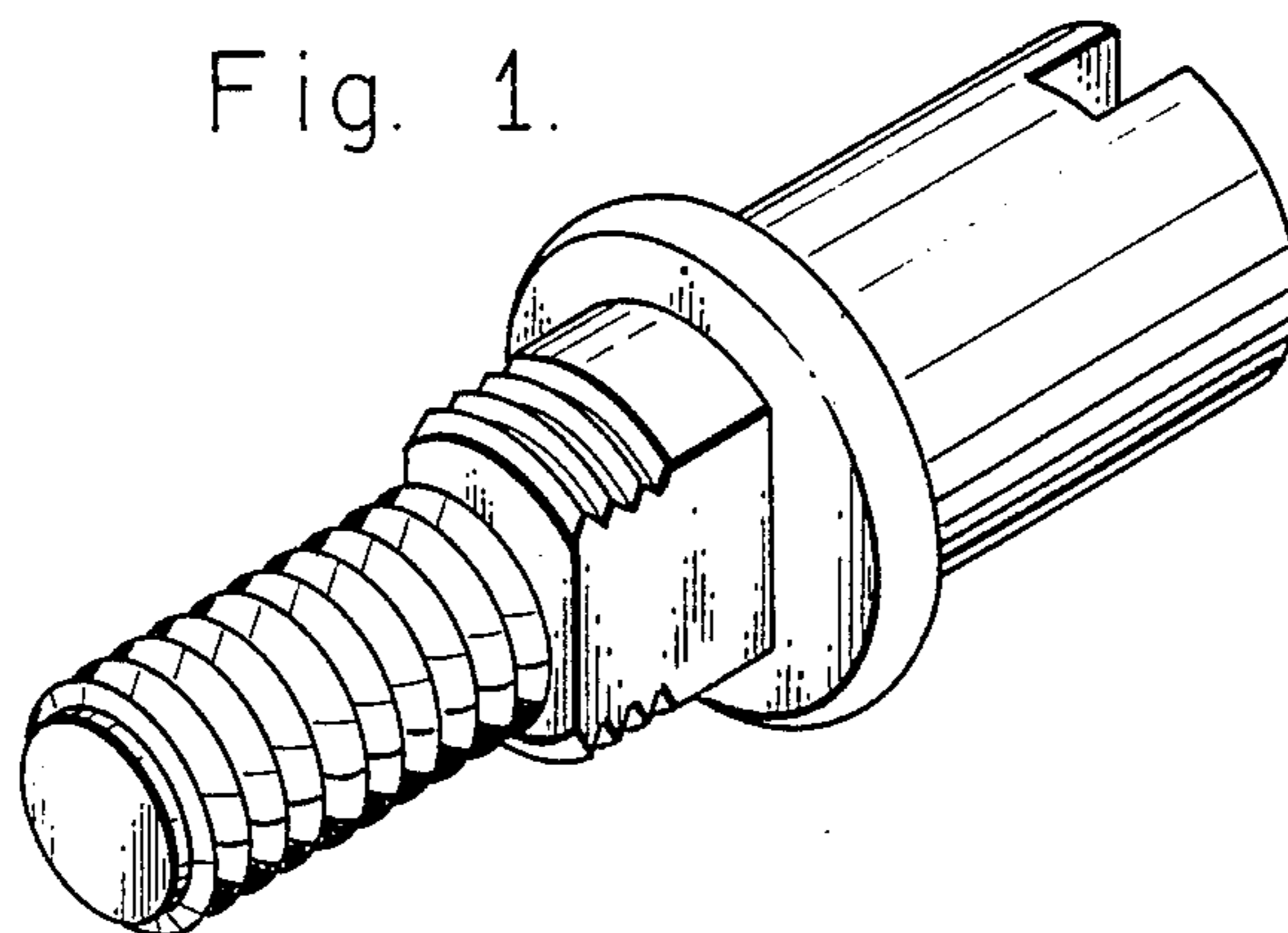


Fig. 2.

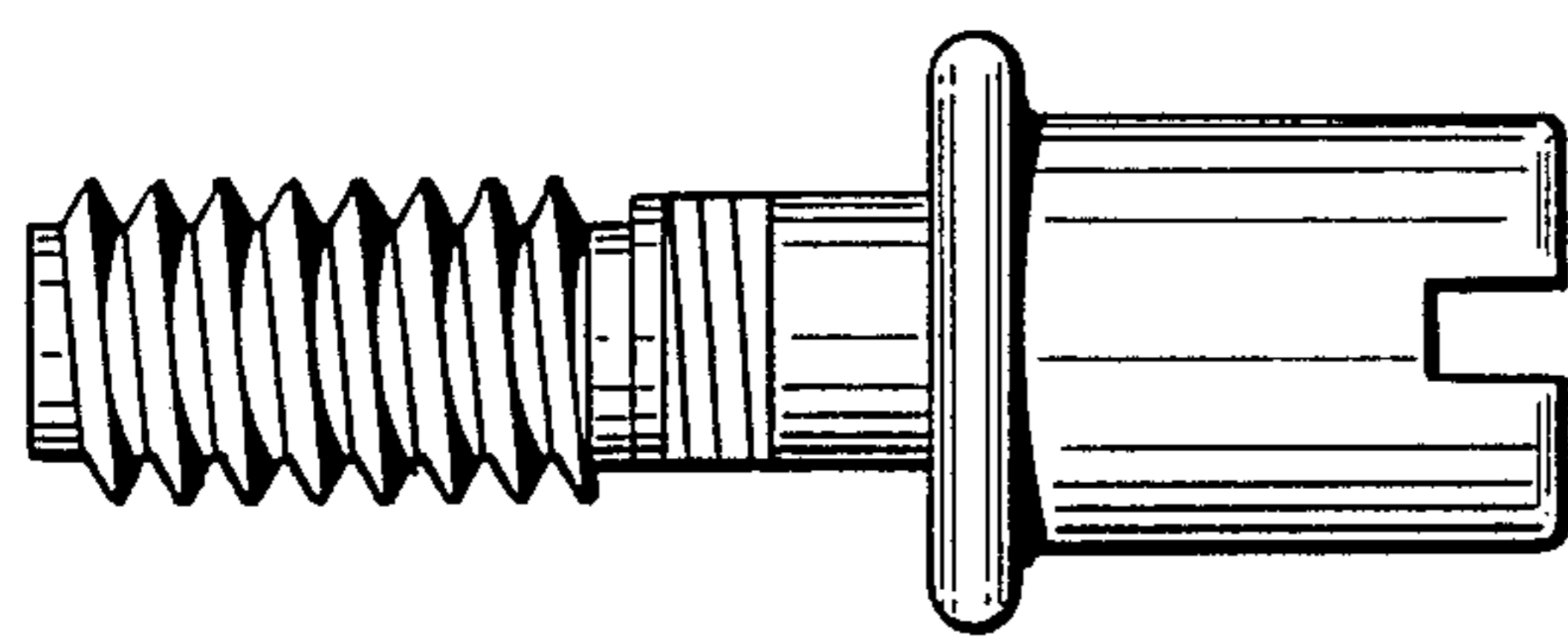


Fig. 3.

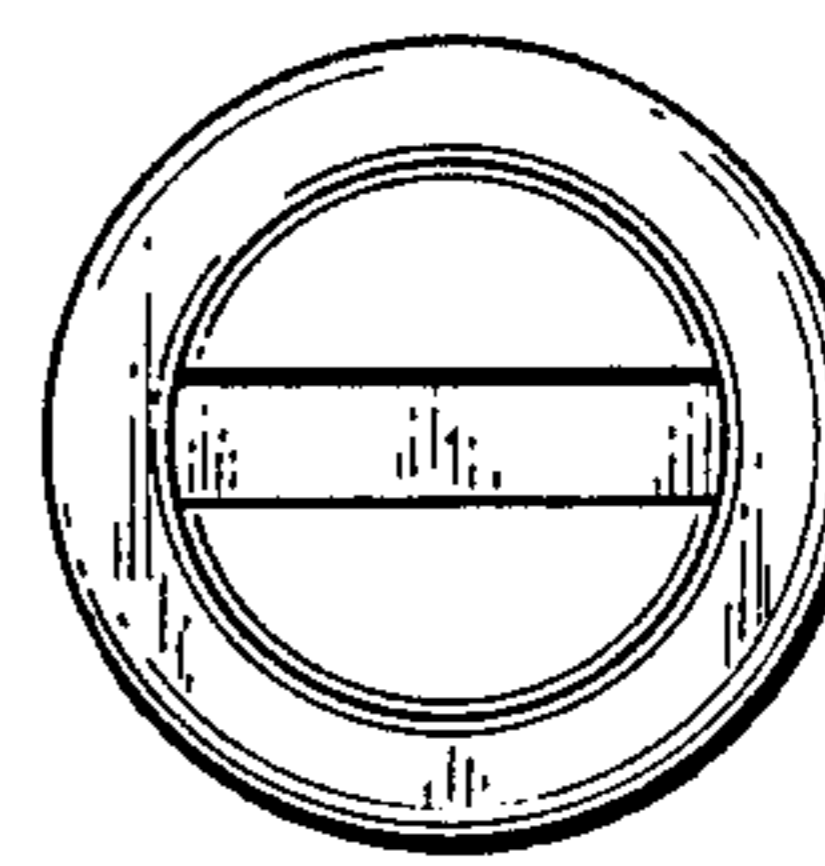


Fig. 4.

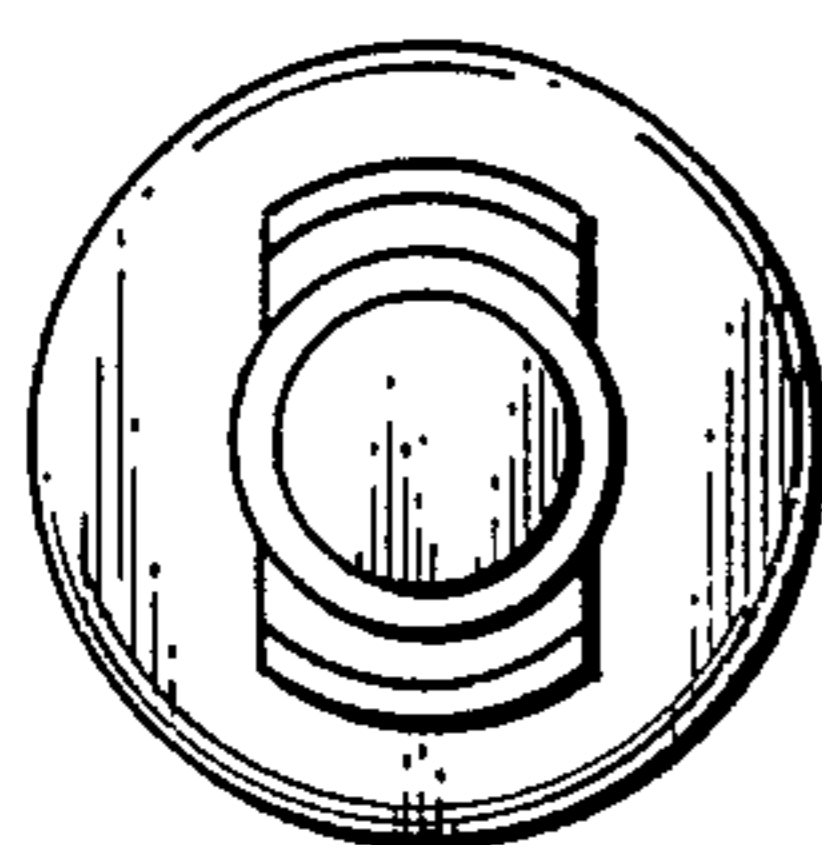


Fig. 5.

