

United States Patent [19]

Platten

[11] Patent Number: **Des. 310,955**

[45] Date of Patent: **** Oct. 2, 1990**

[54] **ELECTRICAL FENCE CLIP**

[75] Inventor: **Conrad M. Platten, Gisbourne, New Zealand**

[73] Assignee: **Wrightson NMA Limited, Gisbourne, New Zealand**

[**] Term: **14 Years**

[21] Appl. No.: **59,979**

[22] Filed: **Jun. 8, 1987**

[52] U.S. Cl. **D8/382; D8/395; D8/396**

[58] Field of Search **D8/382, 356, 394-396, D8/354; 403/48, 208; 256/47, 10, 54, 58, DIG. 3; 174/158 F, 161 F**

[56] **References Cited**

U.S. PATENT DOCUMENTS

D. 29,380 9/1898 Schanck D8/395
D. 32,573 4/1900 Storrs D8/354

D. 46,621 11/1914 Schade, Jr. D8/395
D. 277,055 1/1985 Buchanan D8/356
2,852,797 9/1958 Daubenspeck 403/208
2,865,609 12/1958 Steiner 256/10
3,001,765 9/1961 Shobert 174/158 F

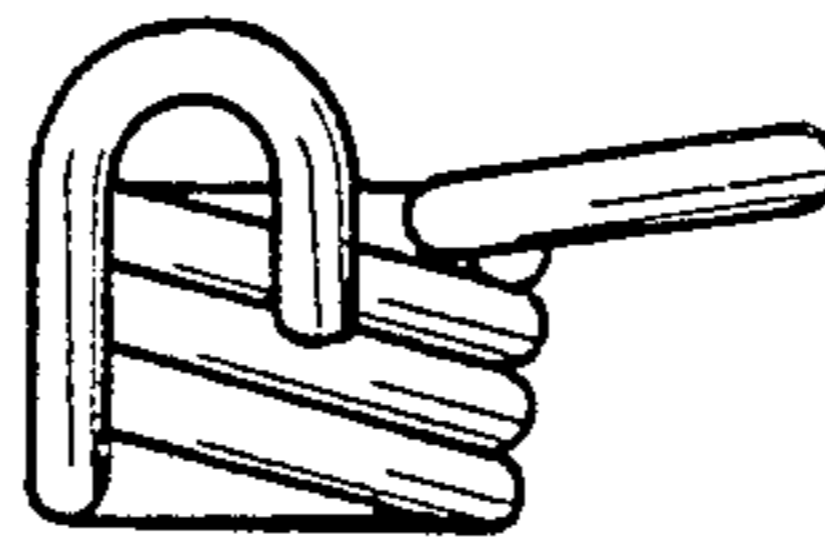
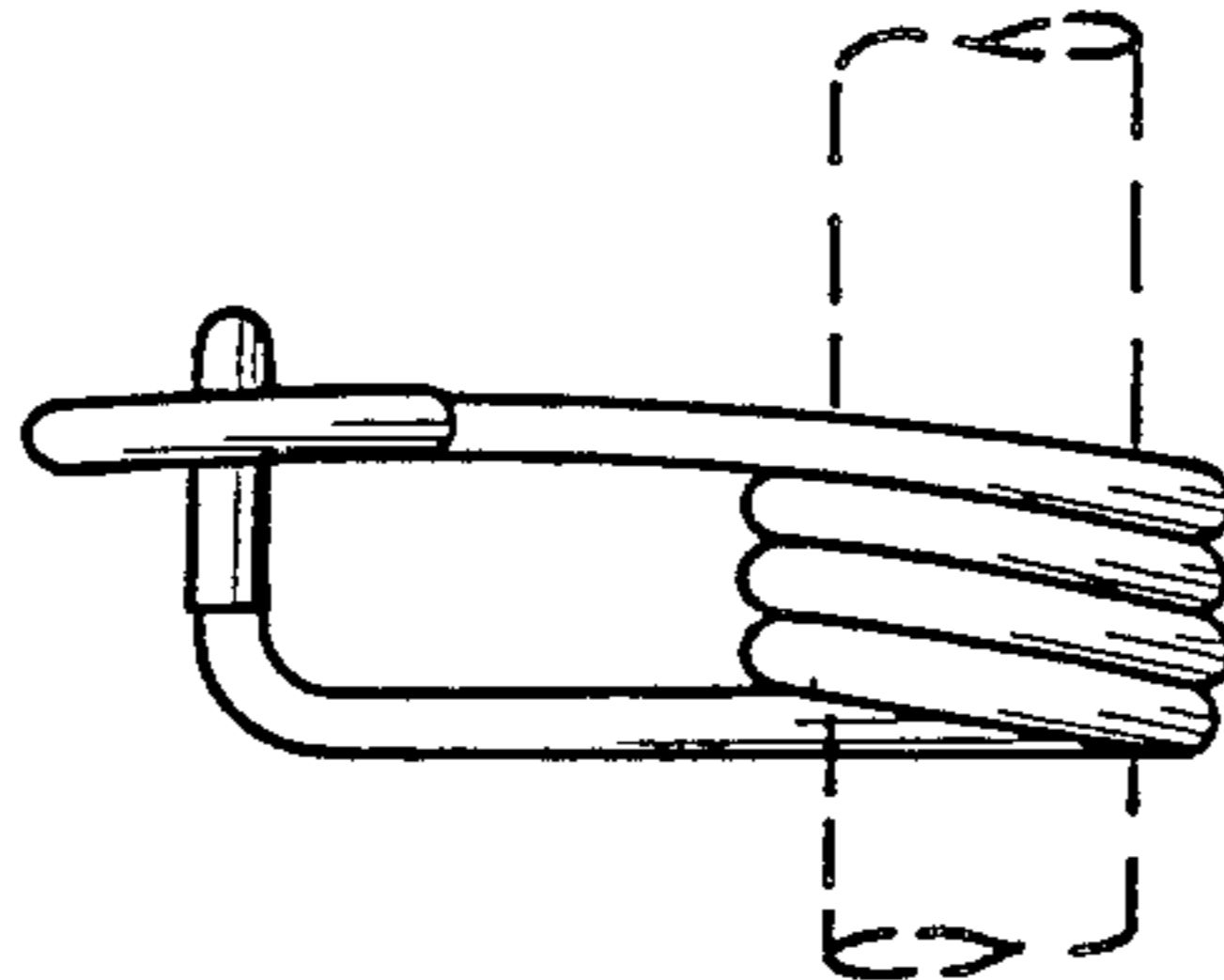
Primary Examiner—B. J. Bullock
Attorney, Agent, or Firm—Armstrong, Nikaido, Marmelstein, Kubovcik & Murray

[57] **CLAIM**

The ornamental design for a an electrical fence clip, as shown and described.

DESCRIPTION

FIG. 1 is a top view of an electrical fence clip showing my new design, in its open position;
FIG. 2 is a bottom view thereof;
FIG. 3 is a front view thereof in its closed position, the fence post being shown in broken lines for illustration purposes only;
FIG. 4 is a top view of FIG. 3; and
FIG. 5 is a left side view thereof.



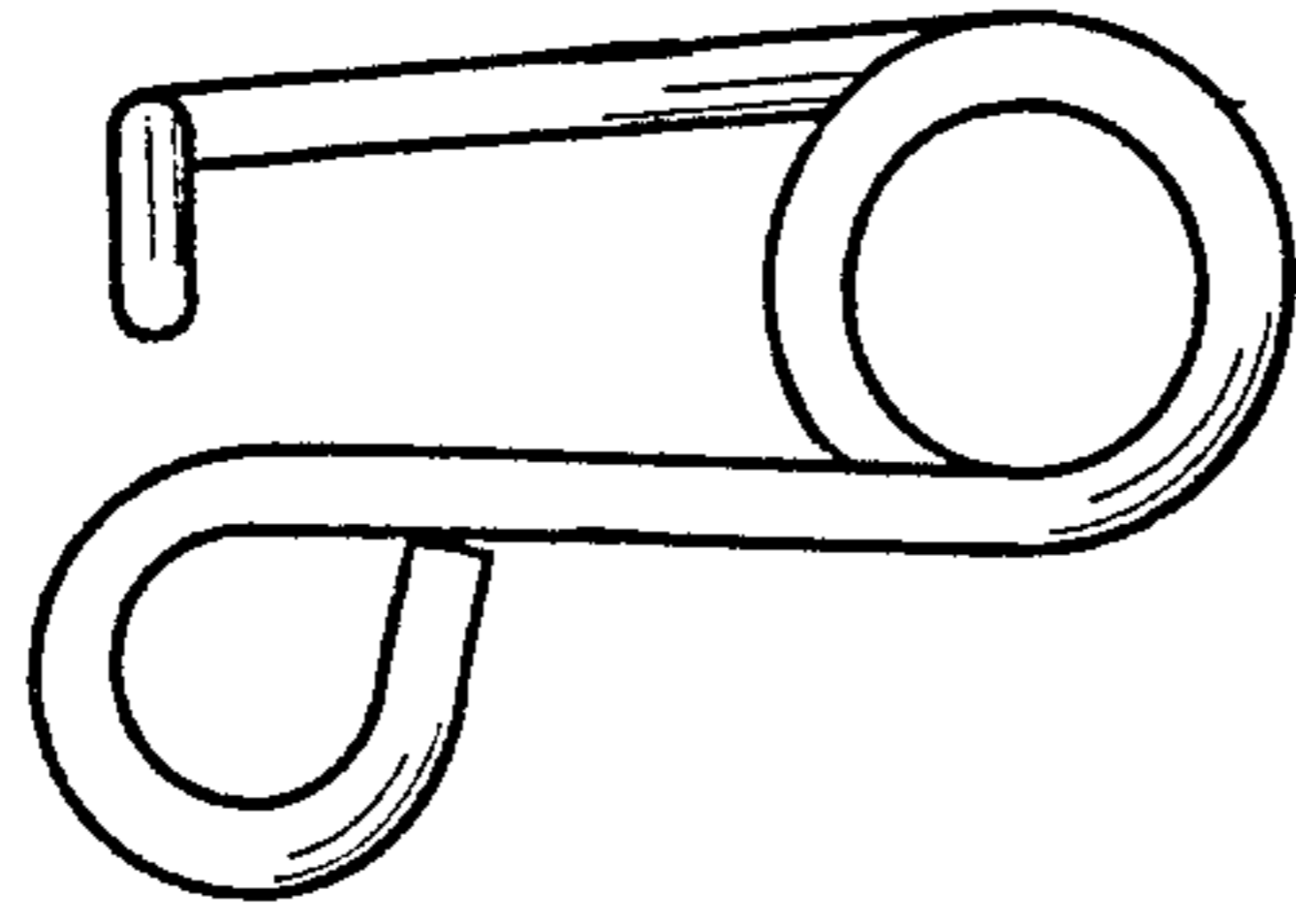


FIG. 1

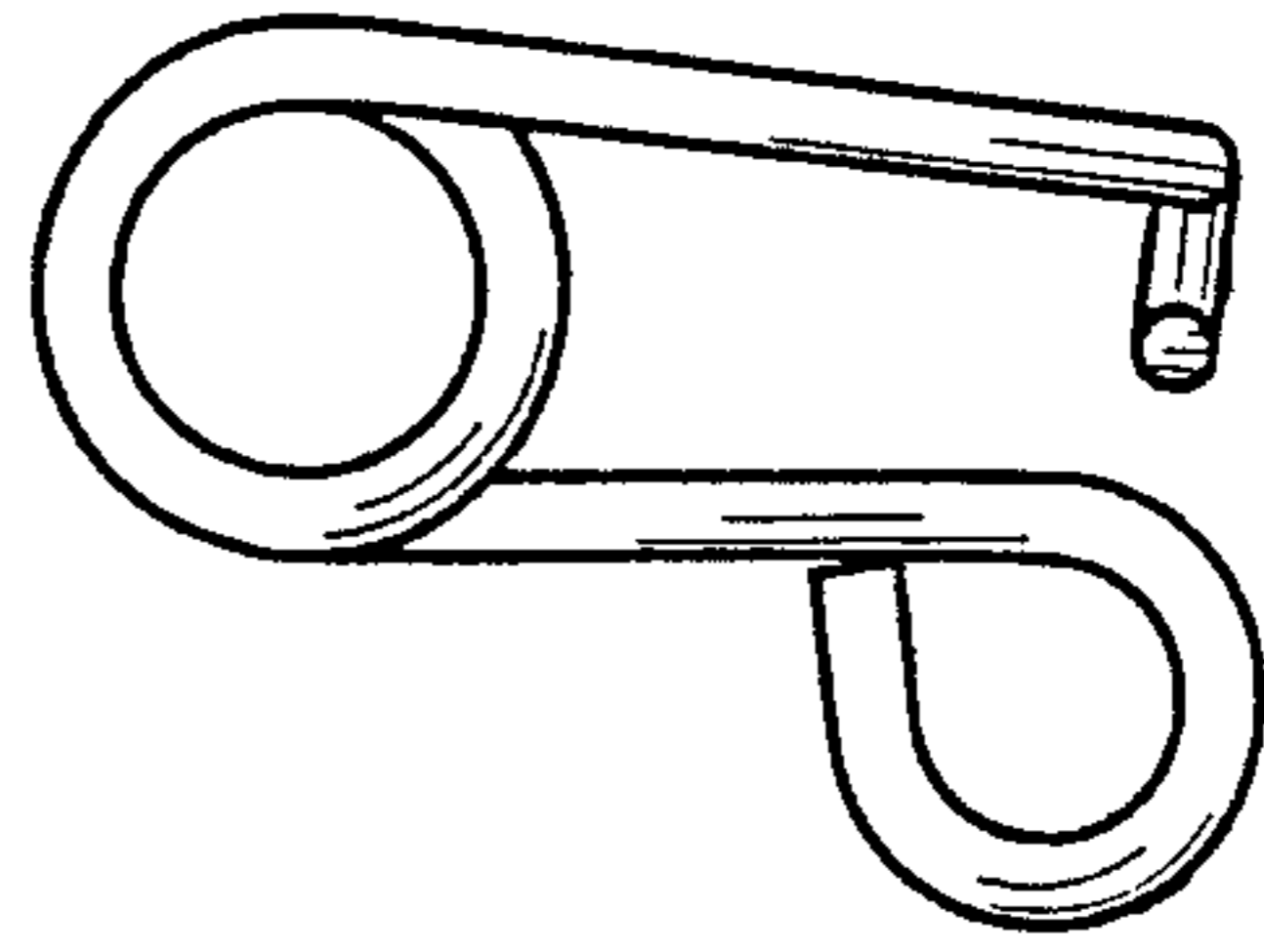


FIG. 2

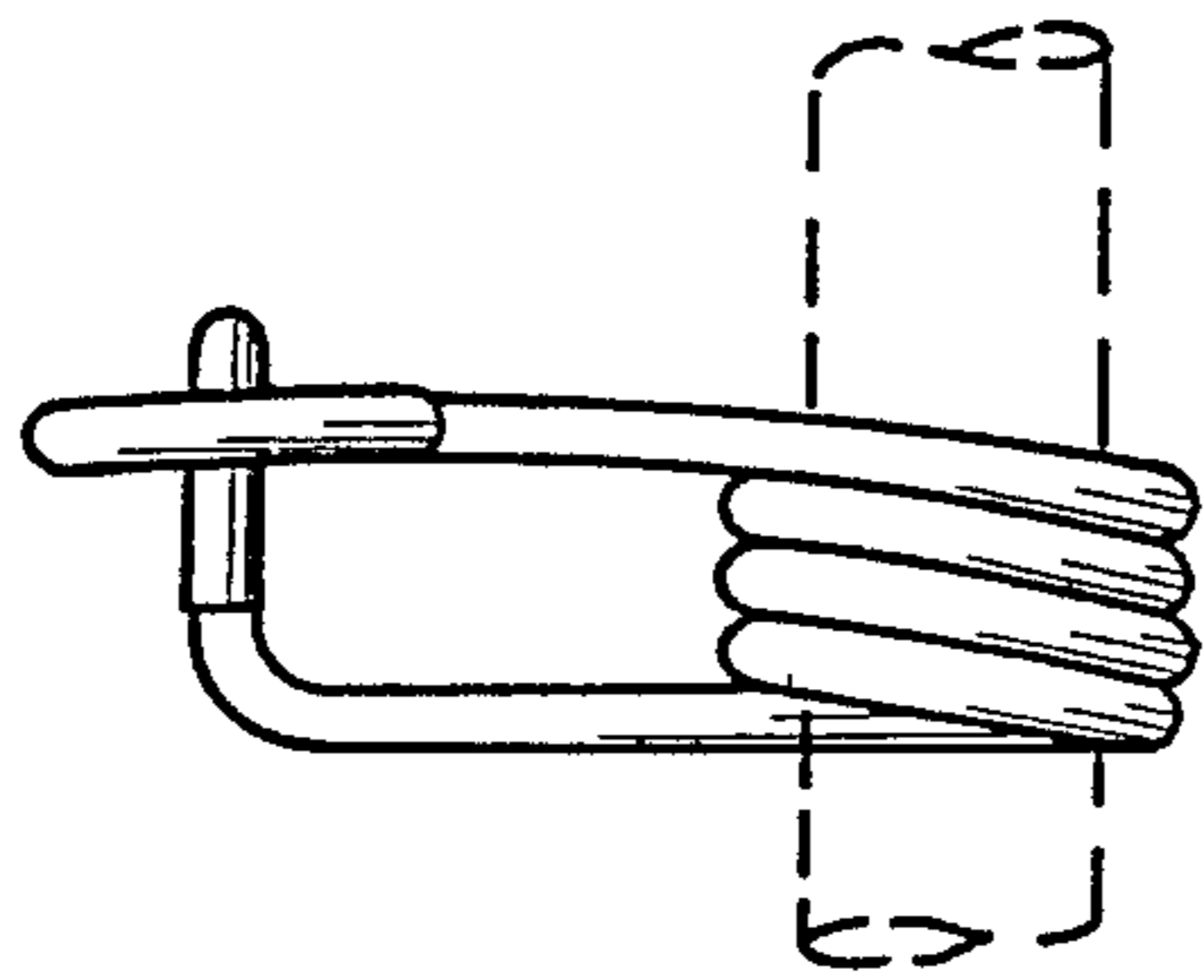


FIG. 3

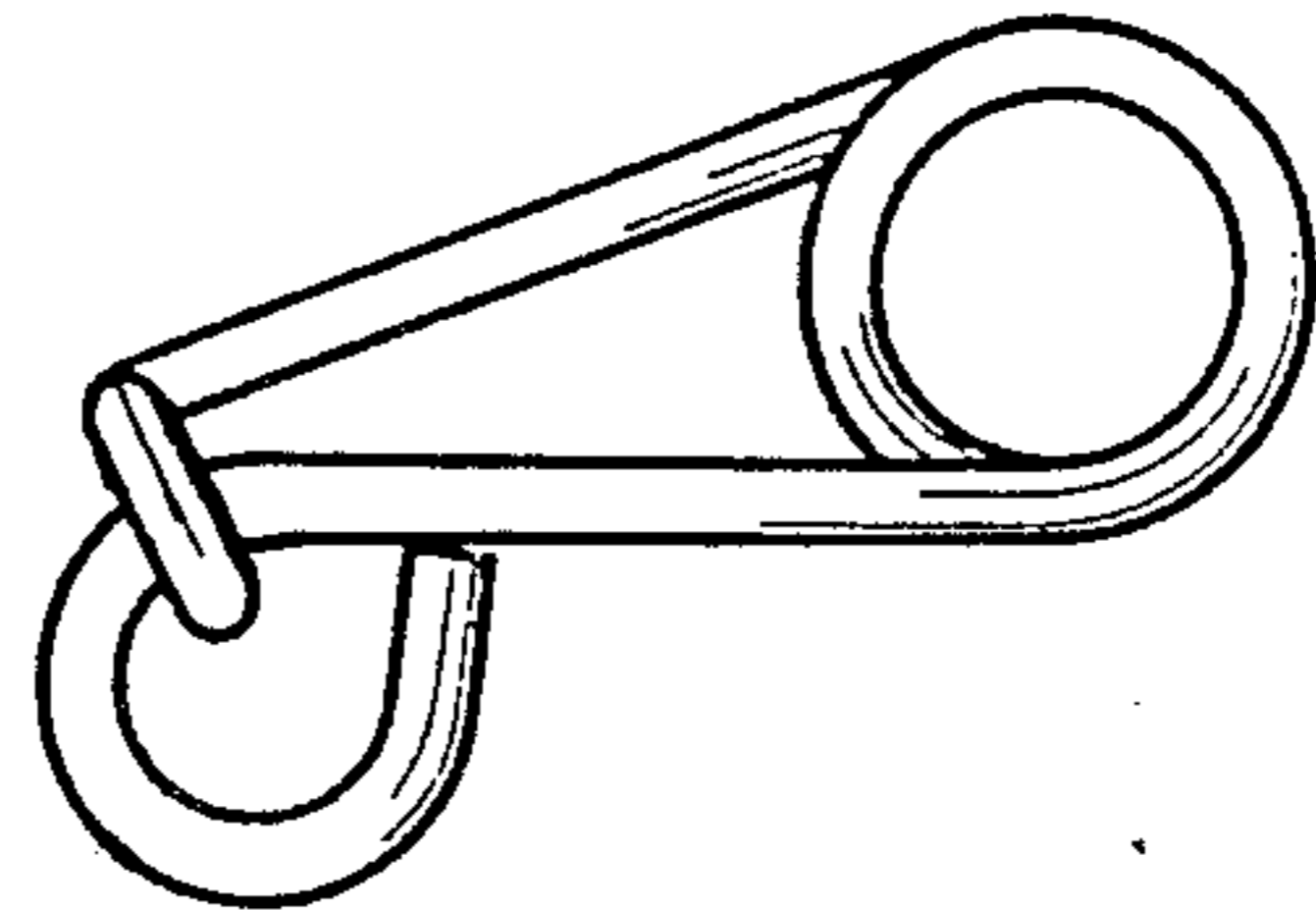


FIG. 4

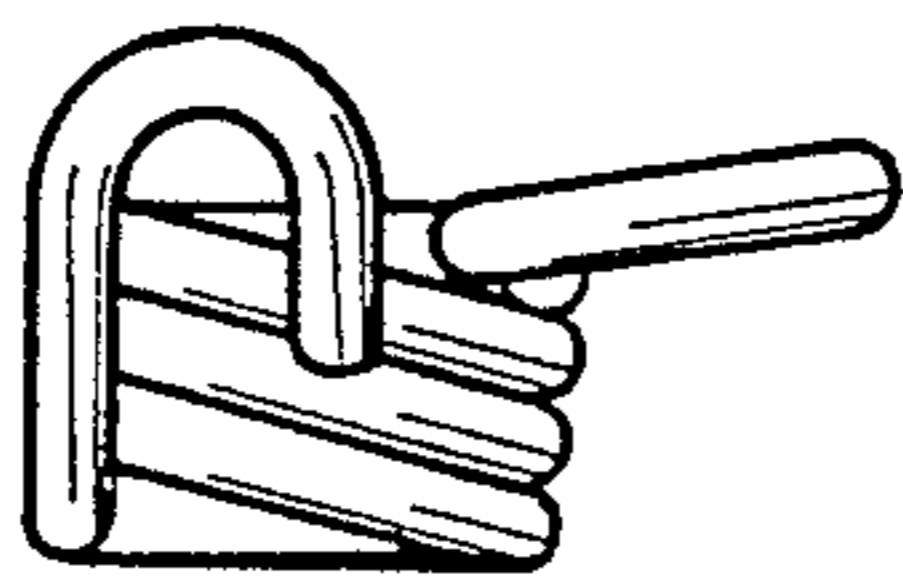


FIG. 5