

[54] **DOOR CLOSER**  
[75] **Inventor: Burl M. Finkelstein, Shenandoah, Ga.**  
[73] **Assignee: Kason Industries, Inc., Shenandoah, Ga.**  
[\*\*] **Term: 14 Years**  
[21] **Appl. No.: 175,449**  
[22] **Filed: Mar. 30, 1988**  
[52] **U.S. Cl. .... D8/330**  
[58] **Field of Search ..... D8/330, 343-344, D8/336; 292/79, DIG. 15; 16/49**

D. 260,729 9/1981 Iseki ..... D8/331  
1,586,836 6/1926 Tarsons ..... 292/79

*Primary Examiner*—Wallace R. Burke  
*Assistant Examiner*—Brian N. Vinson  
*Attorney, Agent, or Firm*—Paul J. Sutton

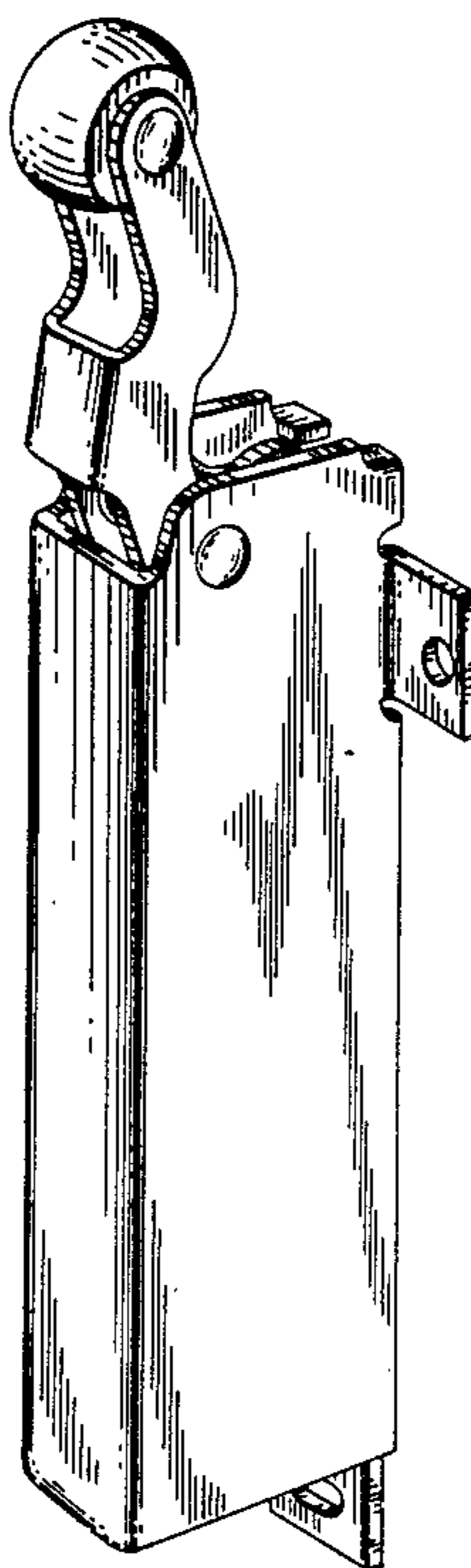
[57] **CLAIM**

The ornamental design for a door closer, as shown and described.

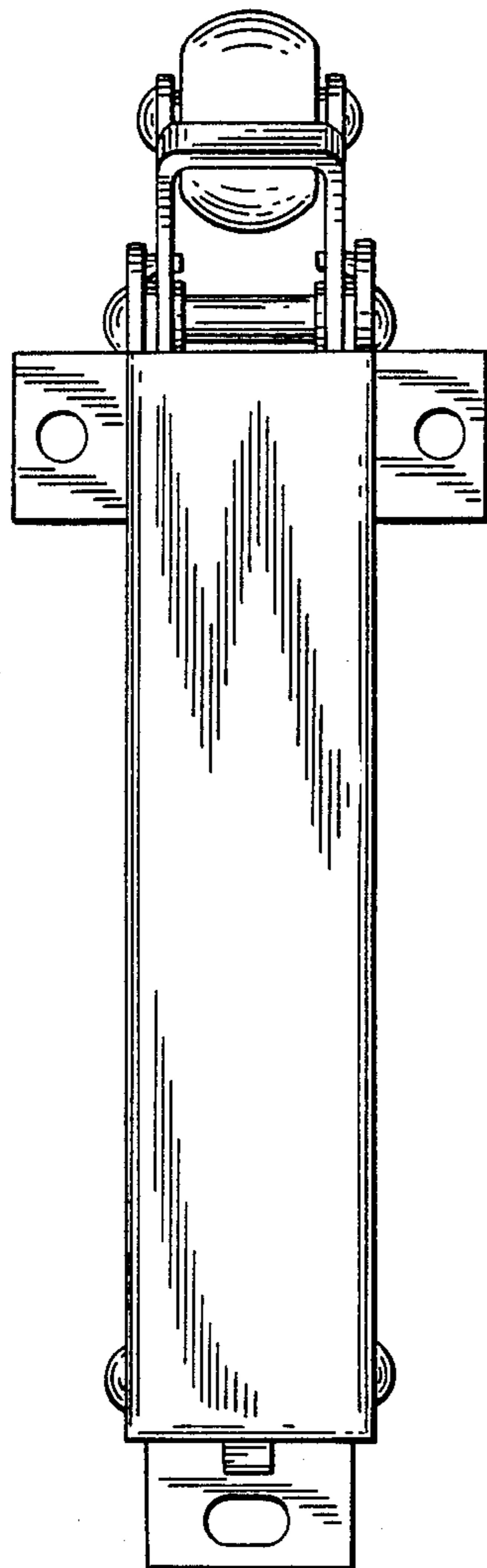
**DESCRIPTION**

FIG. 1 is a front elevational view of a door closer showing my new design;  
FIG. 2 is a right side elevational view thereof, the left side being a mirror image of that shown;  
FIG. 3 is a rear elevational view thereof;  
FIG. 4 is a top plan view thereof;  
FIG. 5 is a bottom plan view thereof; and  
FIG. 6 is an enlarged top, front and right side perspective view thereof.

[56] **References Cited**  
**U.S. PATENT DOCUMENTS**  
D. 214,028 5/1969 Weiner ..... D8/330  
D. 229,479 12/1973 Borsani ..... D8/336 X



*FIG. 1*



*FIG. 2*

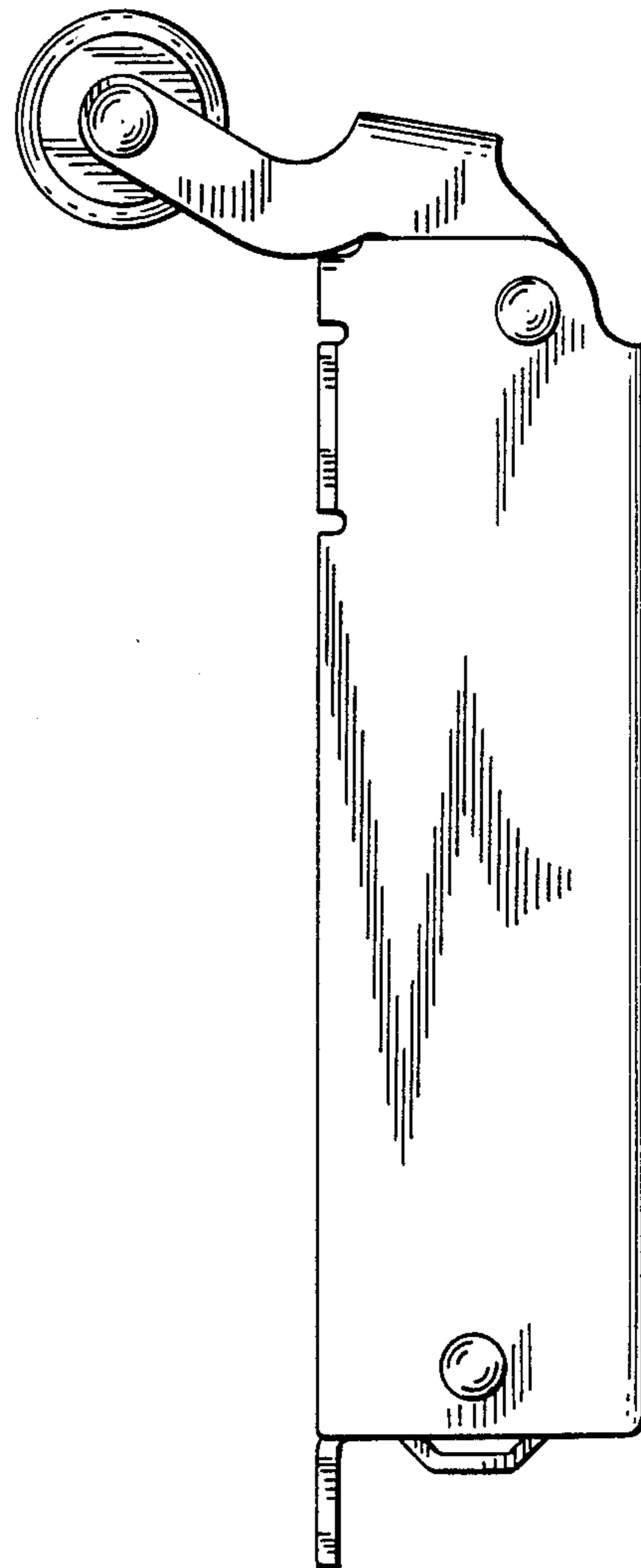


FIG. 3

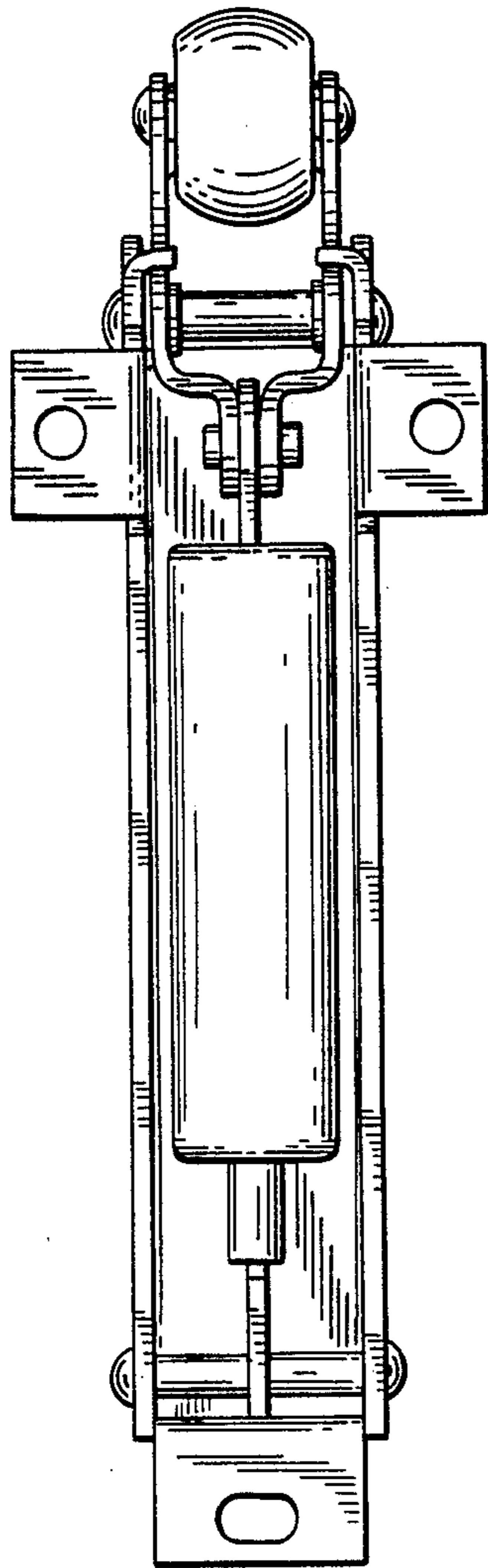


FIG. 4

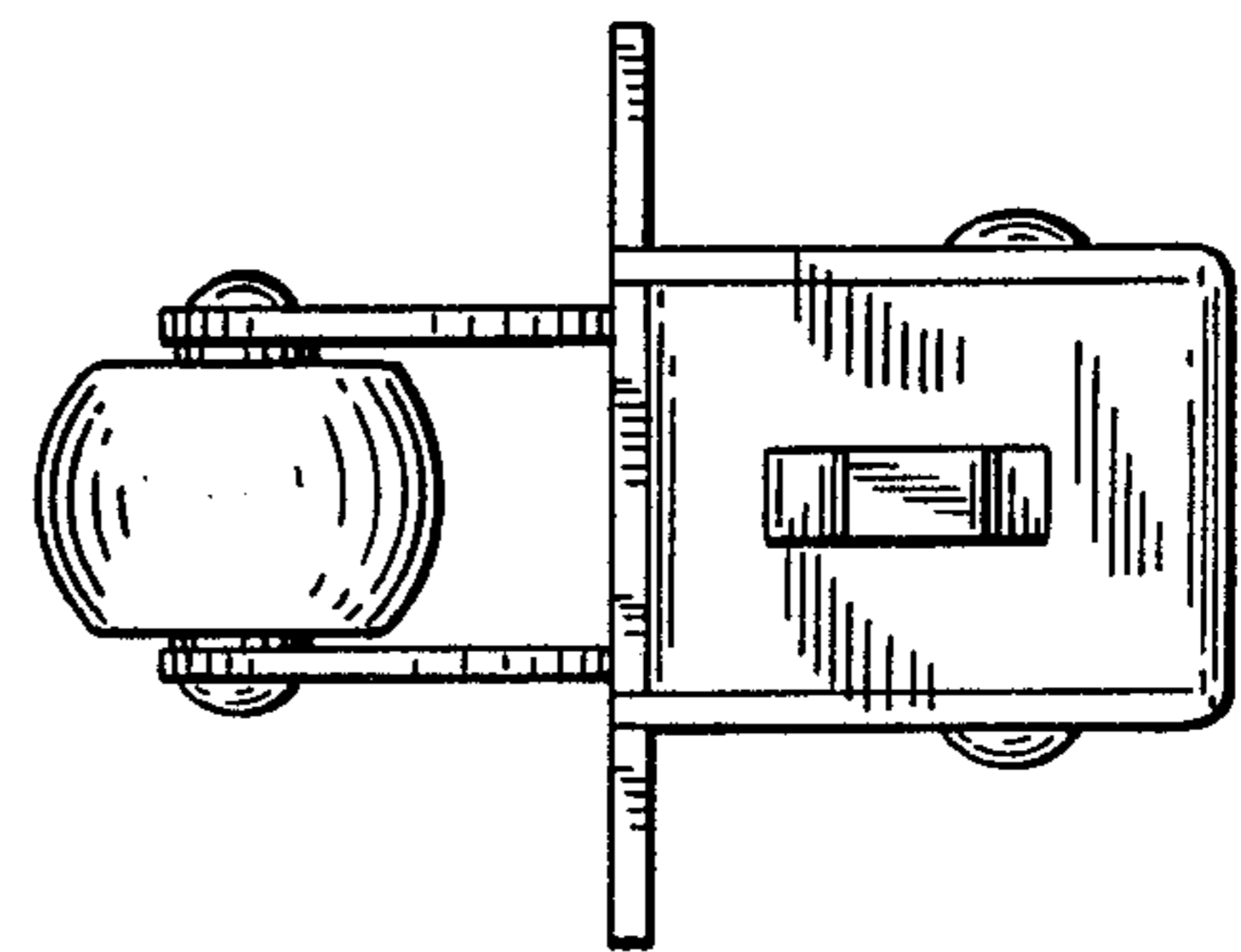
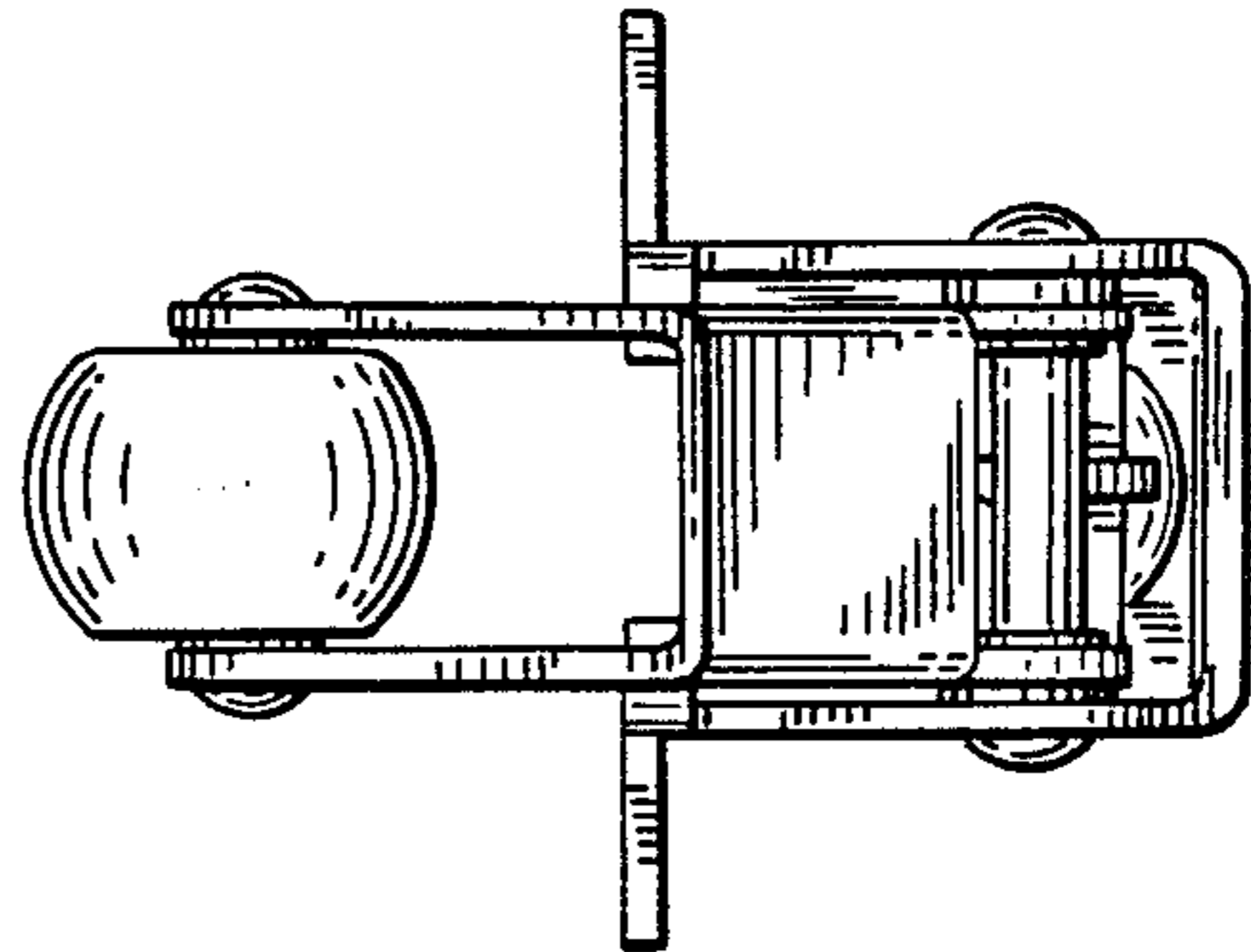


FIG. 5

FIG. 6

