

[54] **MOTORIZED STAPLER**

[75] **Inventors: Paul Olesen, Bellmore, N.Y.; Patrick F. McDonnell, Monmouth Junction, N.J.**

[73] **Assignee: Swingline Inc., Long Island City, N.Y.**

[\*\*] **Term: 14 Years**

[21] **Appl. No.: 73,111**

[22] **Filed: Jul. 9, 1987**

[52] **U.S. Cl. .... D8/49**

[58] **Field of Search ..... D8/49, 50; 227/127-128, 131**

[56] **References Cited**

**U.S. PATENT DOCUMENTS**

D. 277,161 1/1985 Miller et al. .... D8/49

**OTHER PUBLICATIONS**

Acco Catalog, SC-50-469, Electric Stapler, upper left corner.

*Primary Examiner*—Bernard Ansher  
*Assistant Examiner*—Terry A. Pfeffer  
*Attorney, Agent, or Firm*—Pennie & Edmonds

[57] **CLAIM**

The ornamental design for a motorized stapler, as shown and described.

**DESCRIPTION**

FIG. 1 is a perspective view of the motorized stapler showing our new design;  
FIG. 2 is the front elevational view thereof;  
FIG. 3 is the rear elevational view thereof;  
FIG. 4 is the left side elevational view thereof;  
FIG. 5 is the right side elevational view thereof;  
FIG. 6 is the top plan view thereof; and  
FIG. 7 is the bottom plan view thereof.

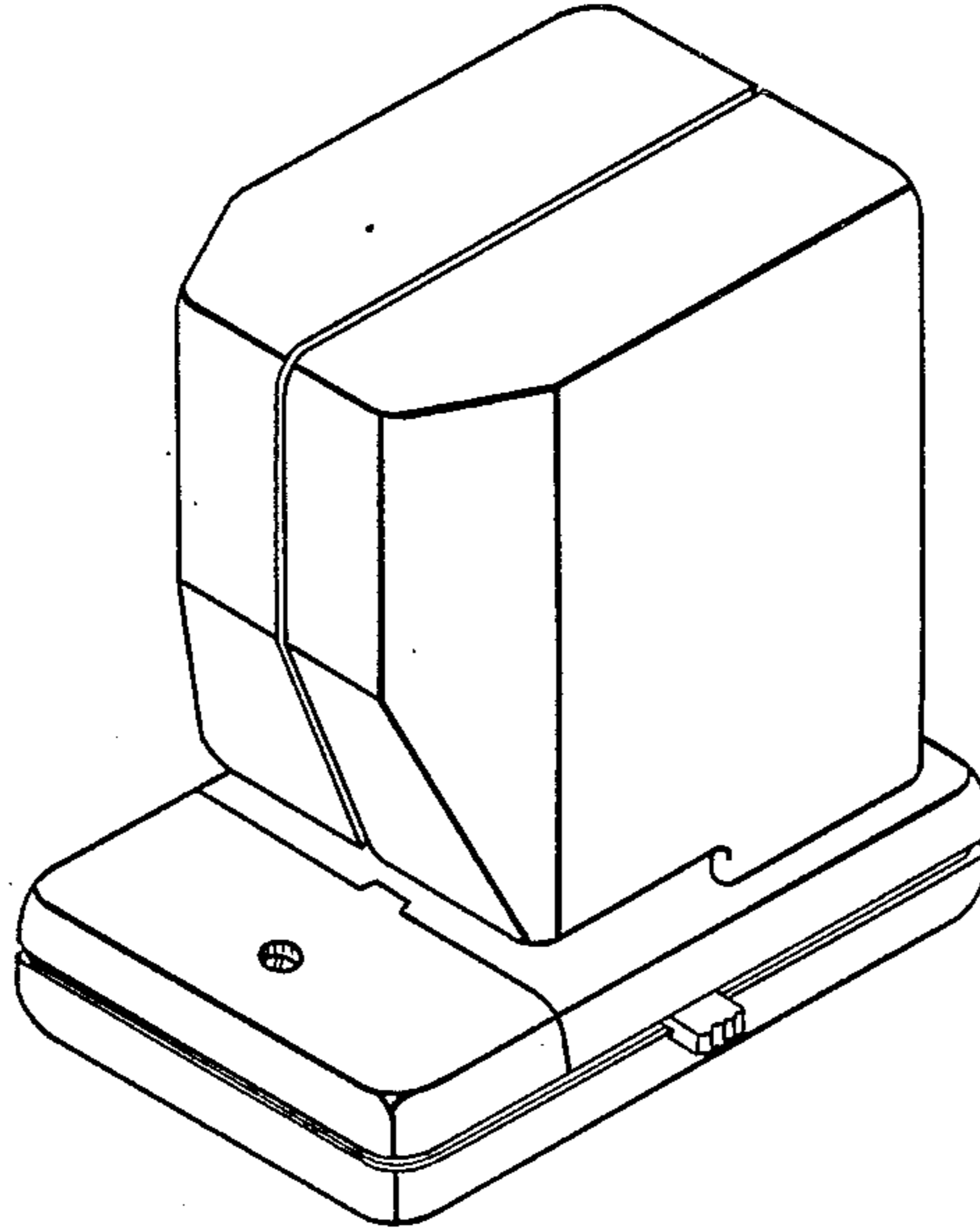


FIG. 1

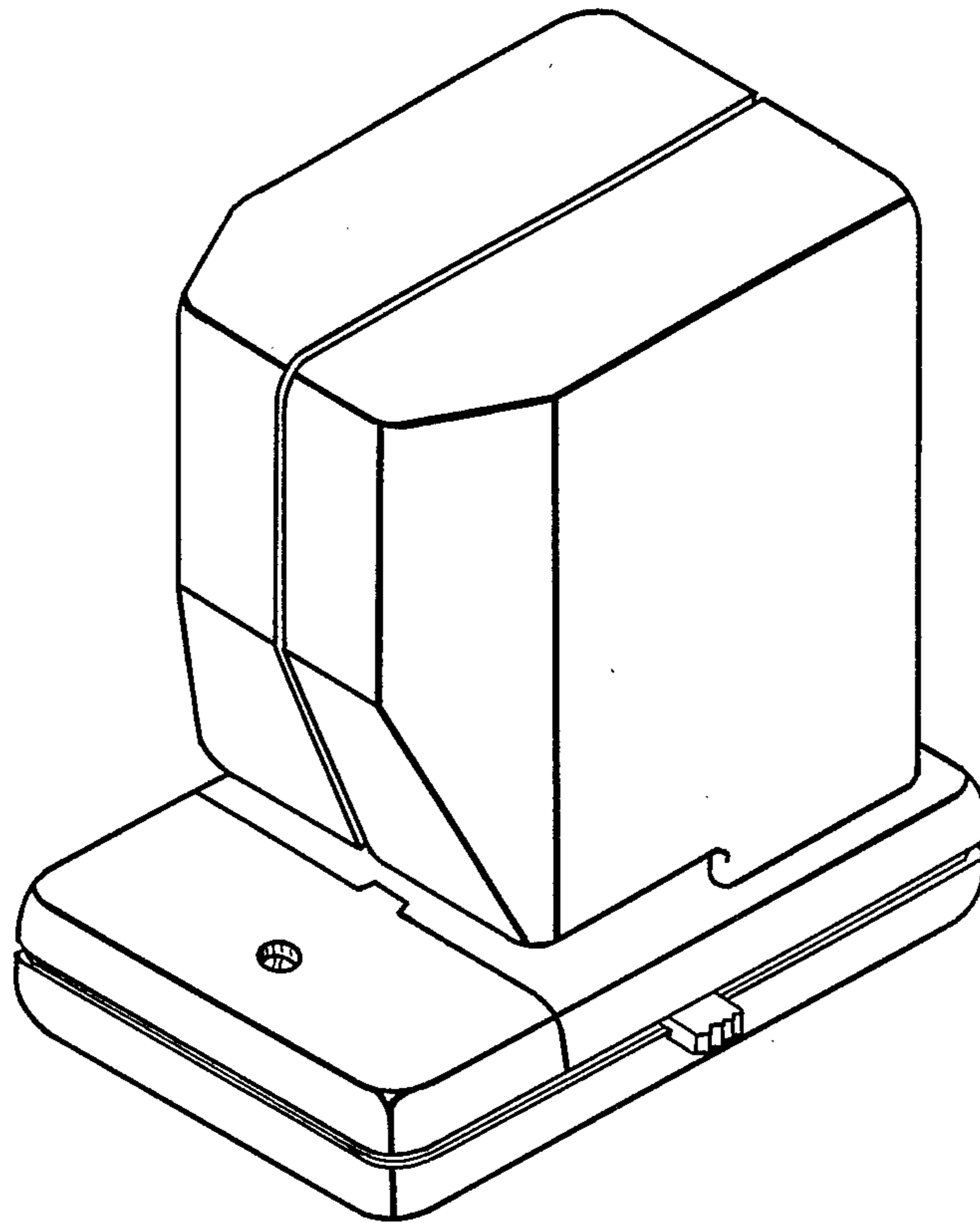


FIG. 3

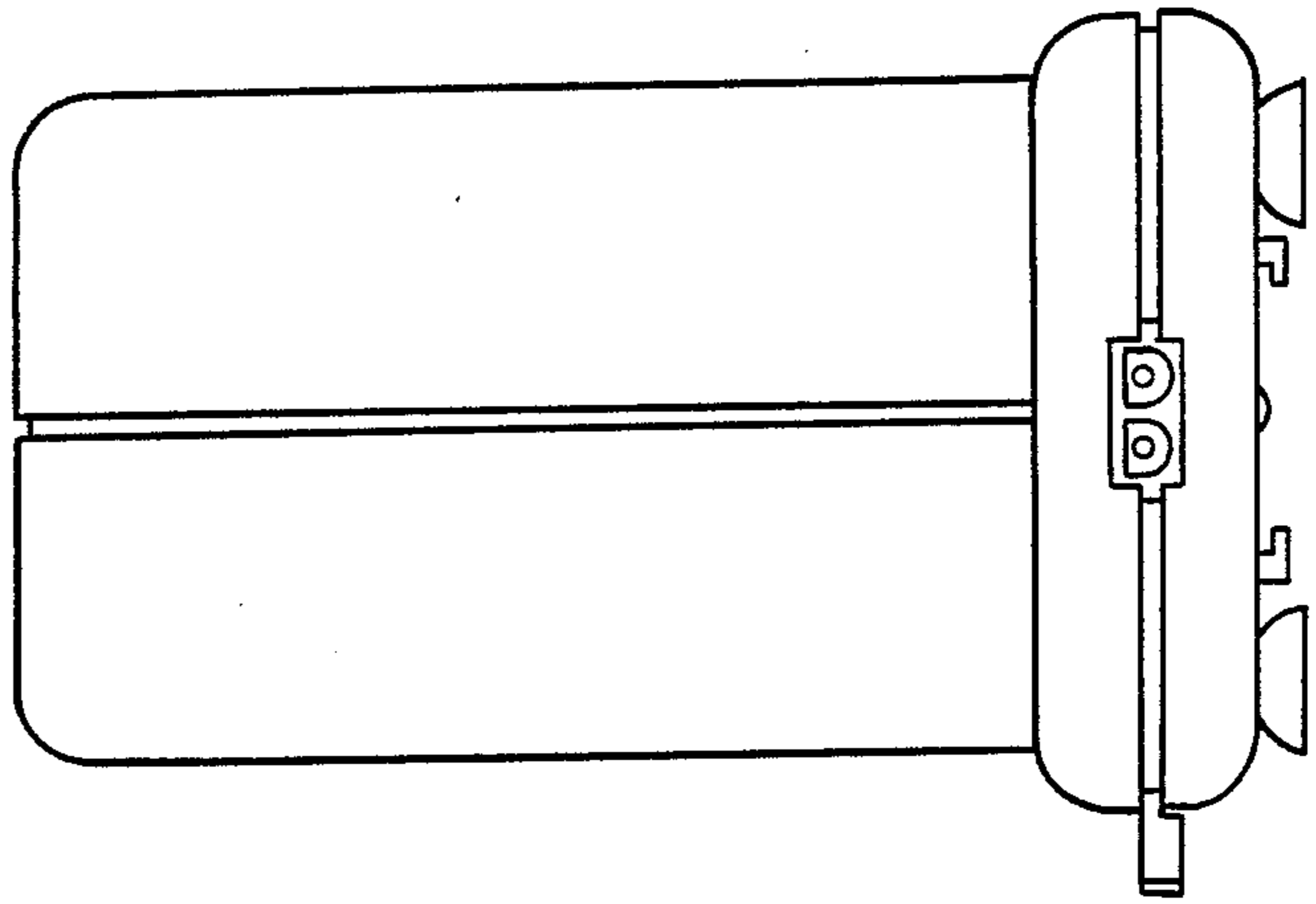


FIG. 2

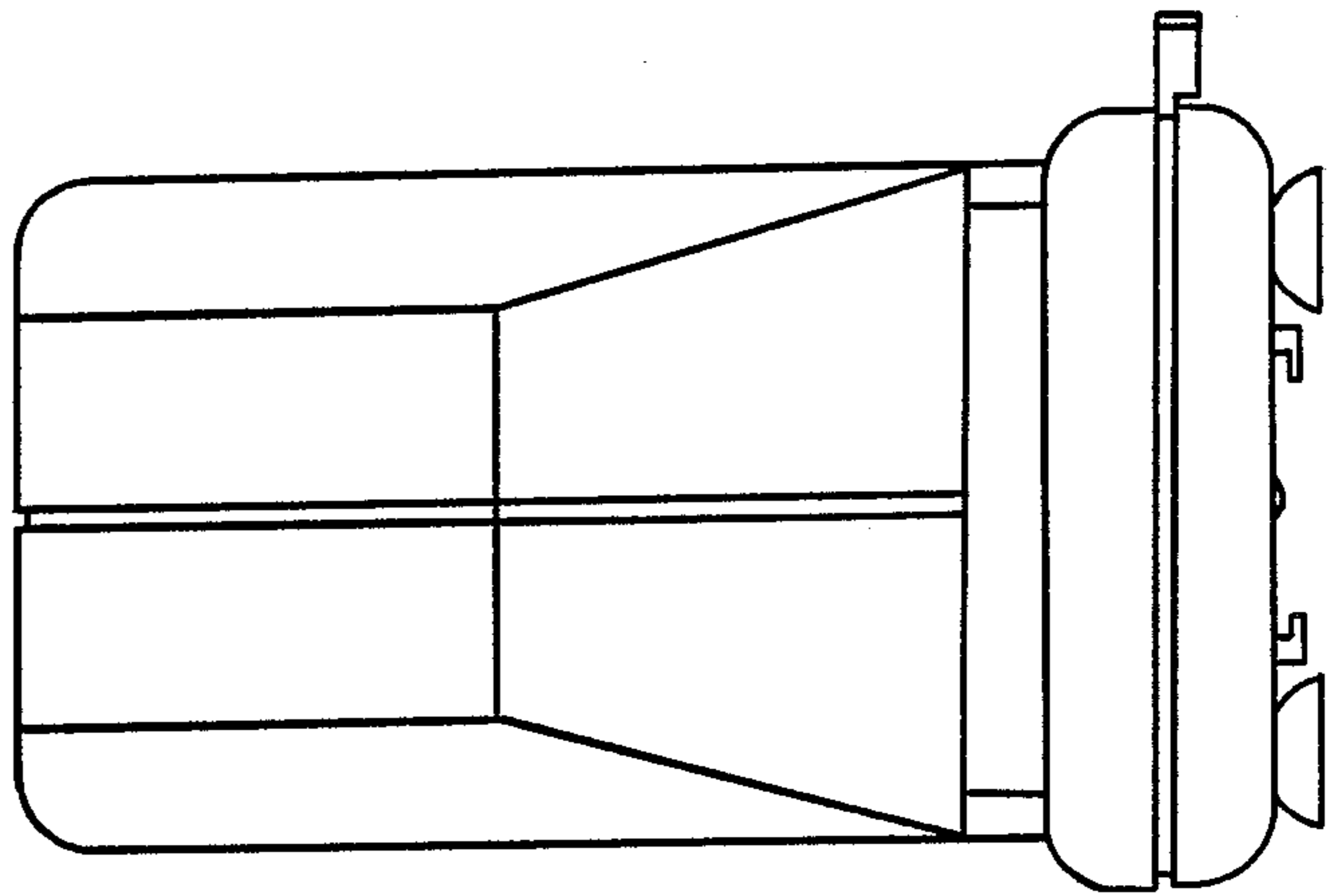


FIG. 5

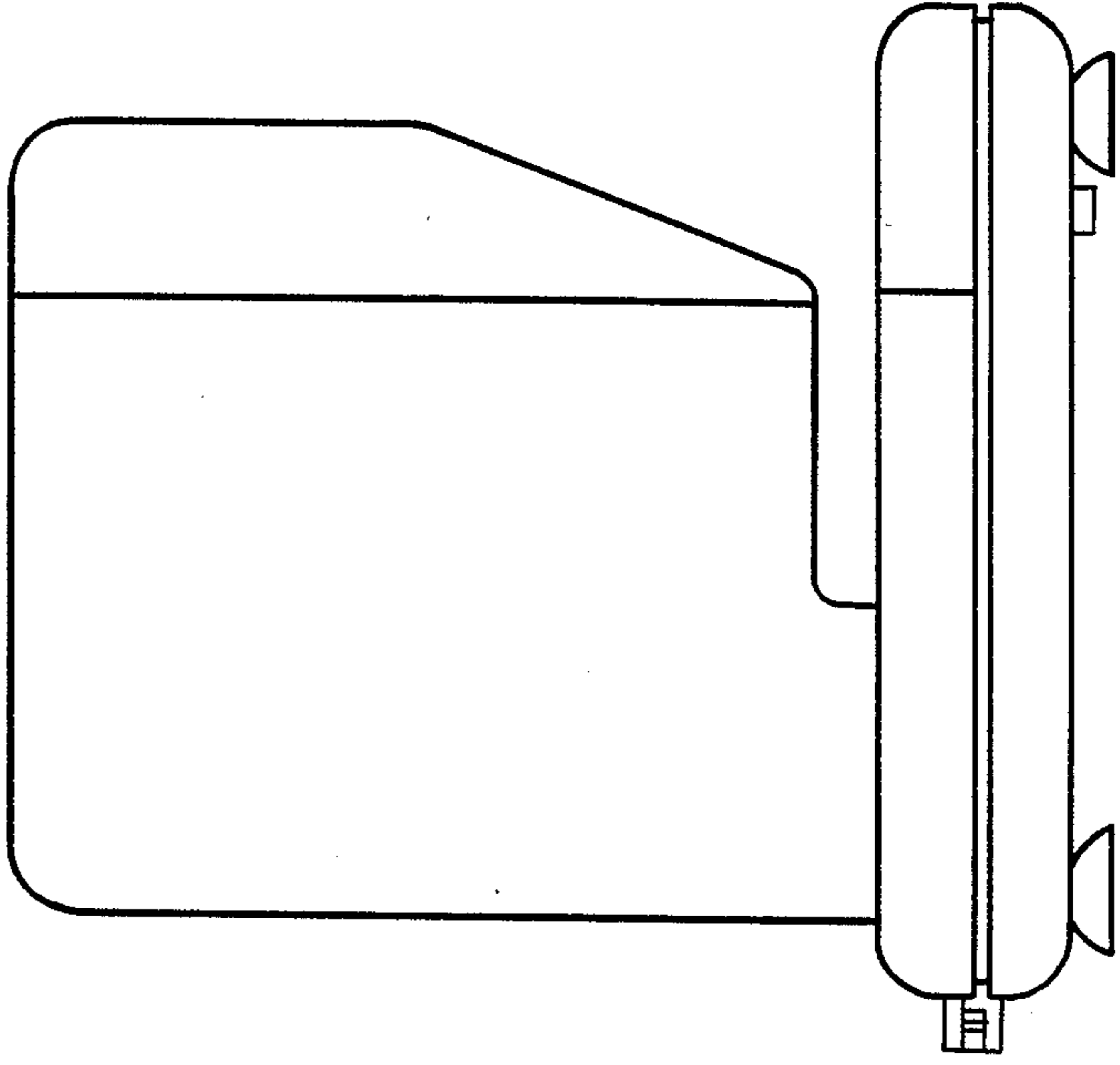


FIG. 4

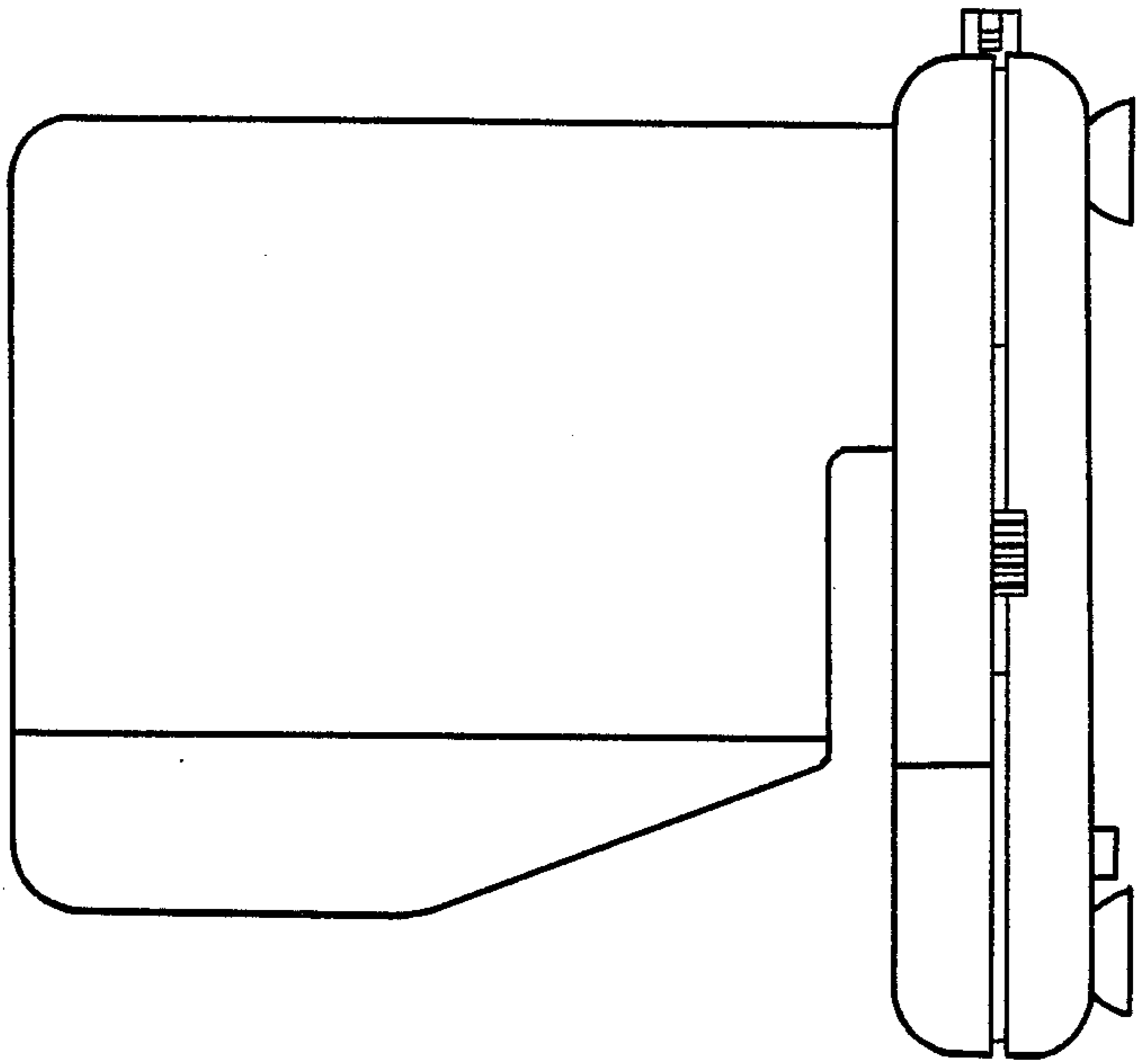


FIG. 6

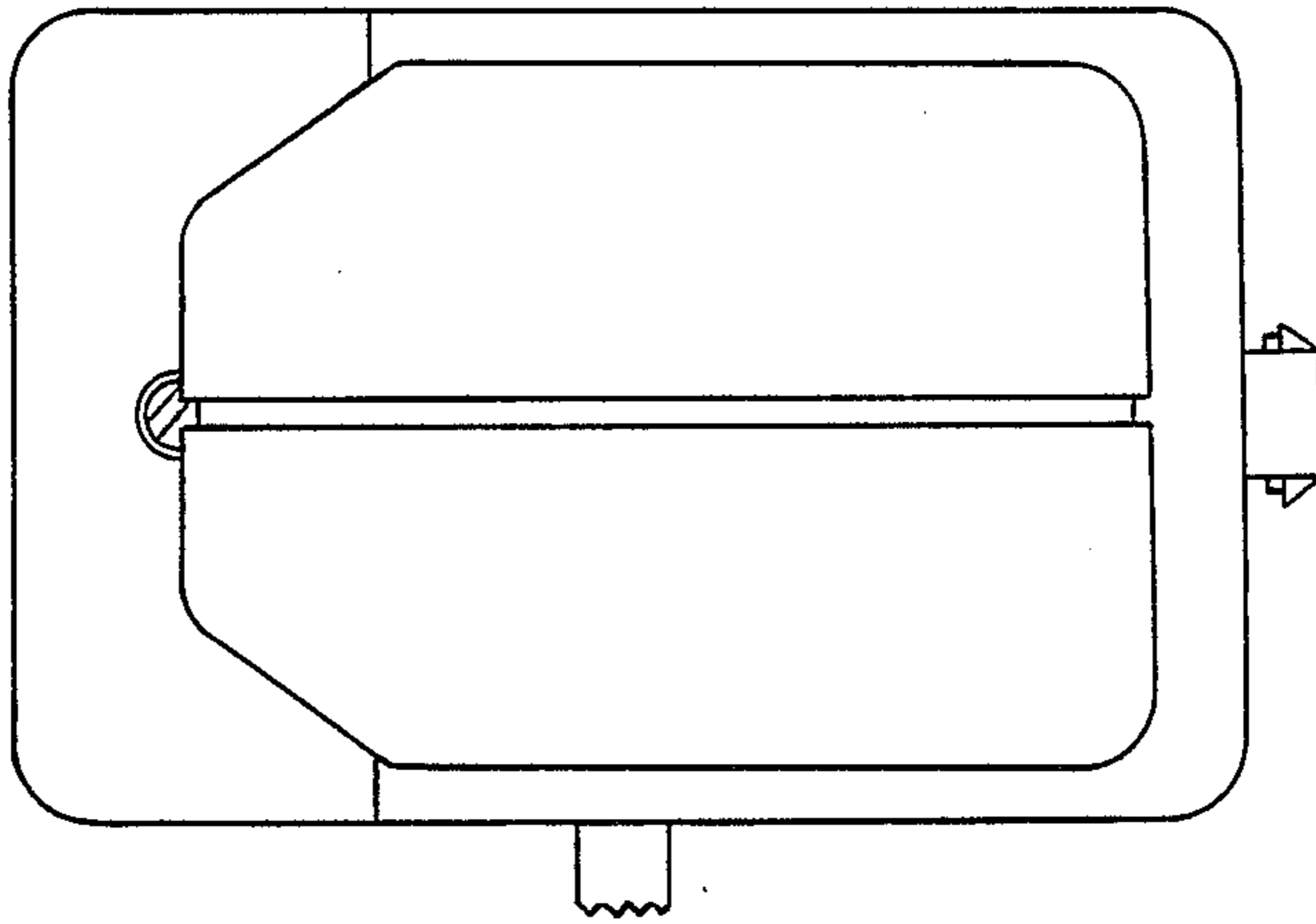


FIG. 7

