

United States Patent [19]

Ellerton

[11] Patent Number: **Des. 310,945**

[45] Date of Patent: **** Oct. 2, 1990**

[54] **NUT SHELLER**

[75] Inventor: **John R. Ellerton, Magnetic Island, Australia**

[73] Assignee: **Stahmann Farms Incorporated, Scarborough, Australia**

[**] Term: **14 Years**

[21] Appl. No.: **285,961**

[22] Filed: **Dec. 19, 1988**

[30] **Foreign Application Priority Data**

Jun. 21, 1988 [AU] Australia 2050/88
[52] U.S. Cl. **D7/680; D8/52**
[58] Field of Search **D7/680, 508, 686-687; D8/56, 52; 30/120.1-120.5; 99/568; 294/3, 8.5, 16, 11, 99.1-99.2**

[56] **References Cited**

U.S. PATENT DOCUMENTS

D. 298,099 10/1988 Luc D7/680

Primary Examiner—Bernard Ansher
Assistant Examiner—Terry A. Pfeffer
Attorney, Agent, or Firm—Oldham & Oldham

[57] **CLAIM**

The ornamental design of a nut sheller, as shown and described.

DESCRIPTION

FIG. 1 is a perspective view of a nut sheller showing my new design;
FIG. 2 is a side elevational view thereof;
FIG. 3 is a top plan view thereof;
FIG. 4 is a front elevational view thereof; and
FIG. 5 is a perspective view thereof in a disassembled condition.

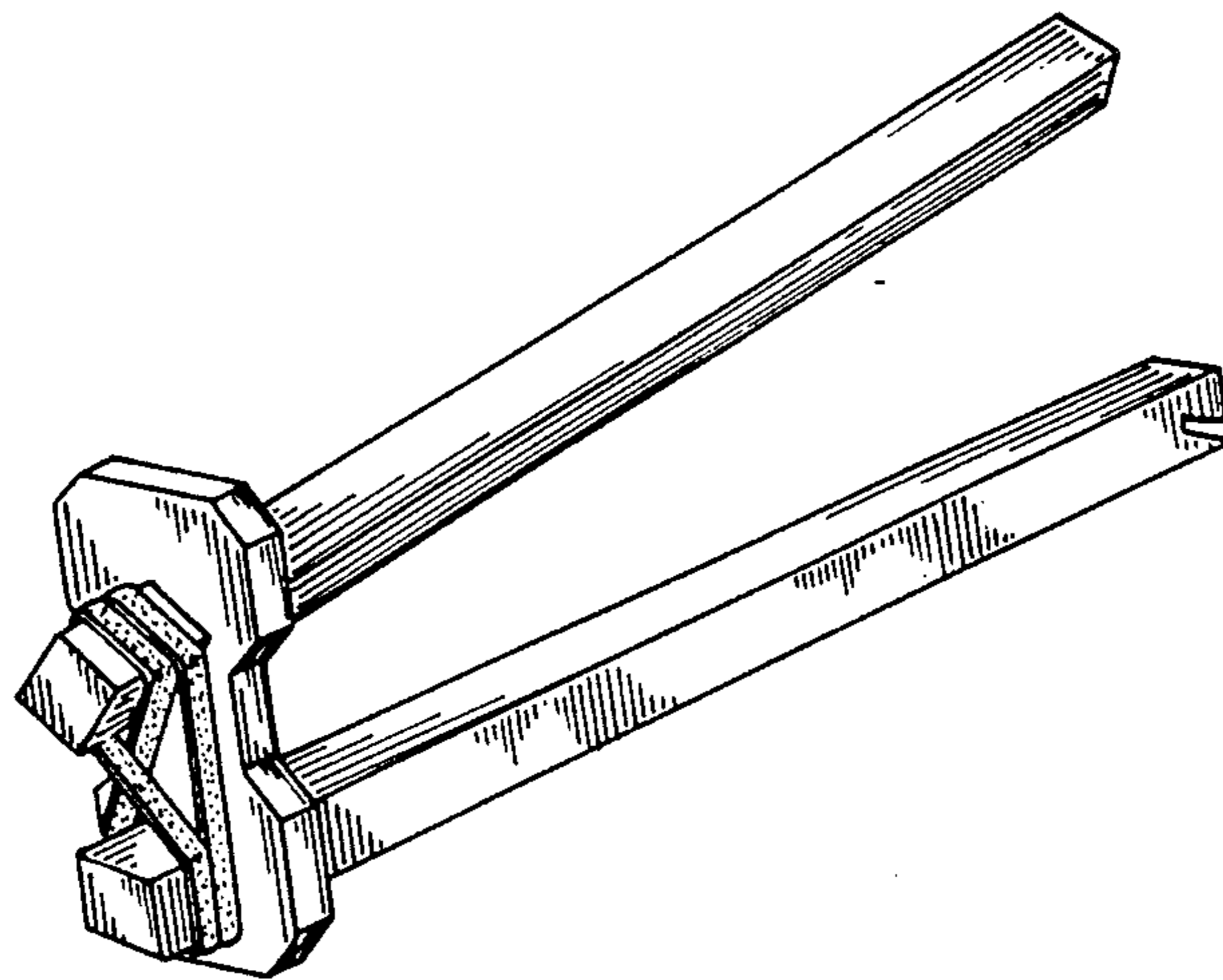


FIG.-1

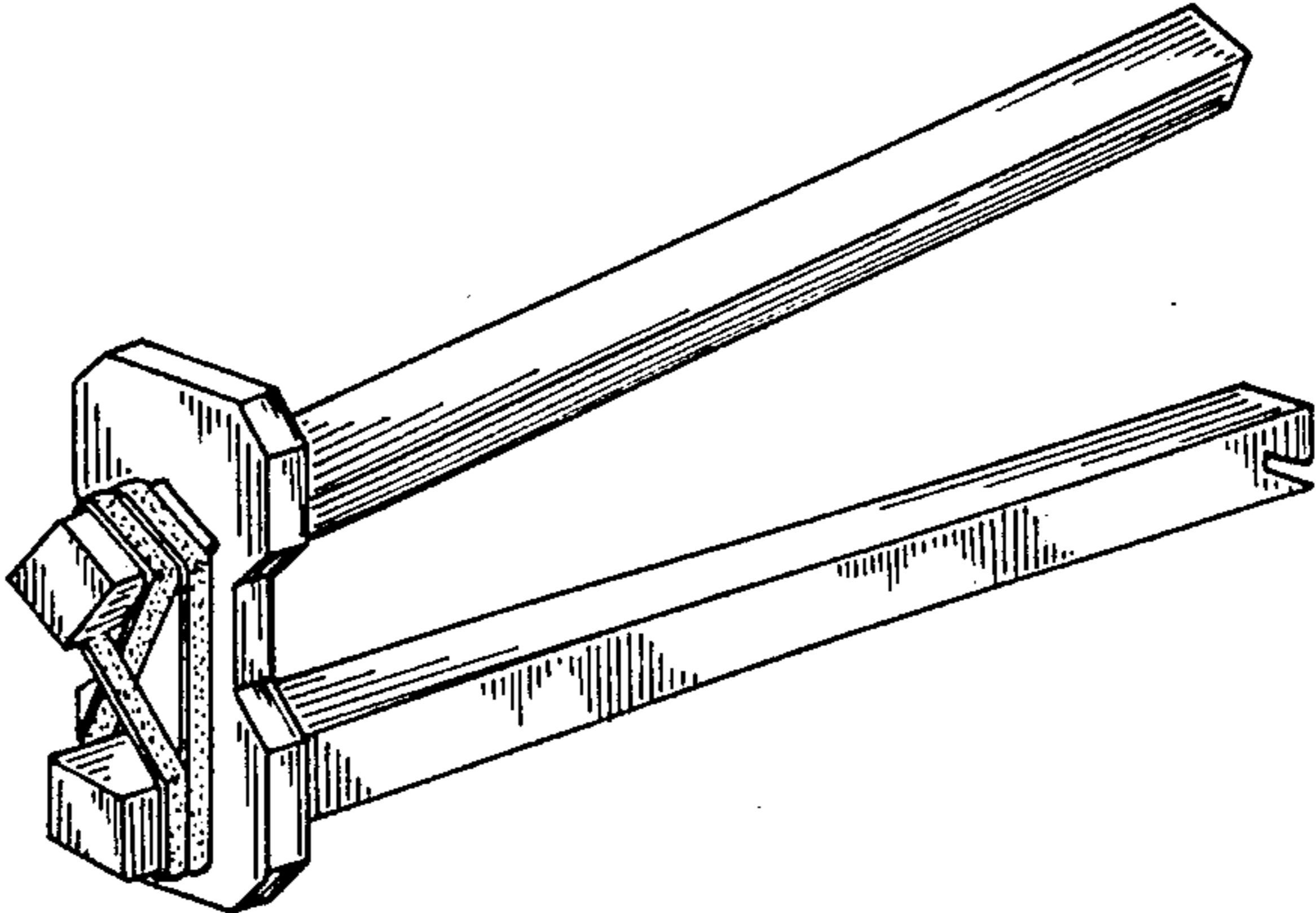


FIG.-4



FIG.-2

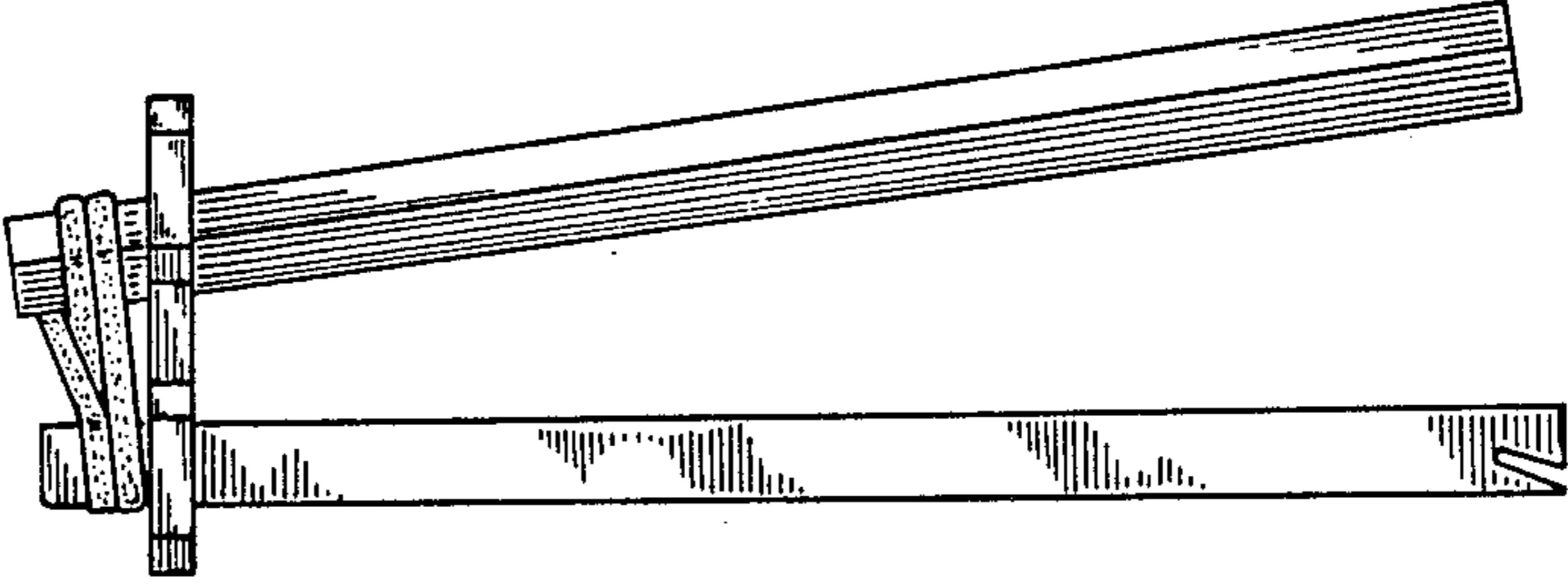


FIG.-3

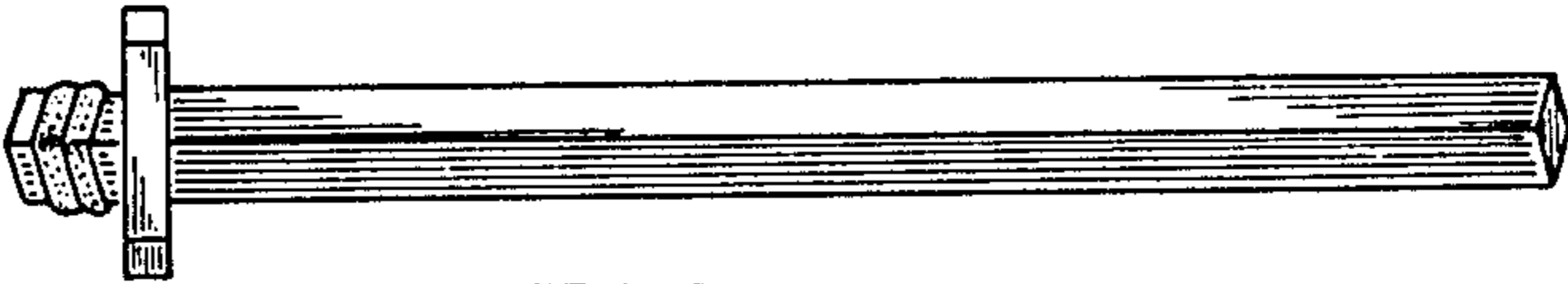


FIG.-5

