

[54] **INFANT'S FEEDING SPOON**

[76] **Inventor: Robert S. Lutzker, 21 Lee Ave., East Williston, N.Y. 11596**

[**] **Term: 14 Years**

[21] **Appl. No.: 191,015**

[22] **Filed: May 6, 1988**

[52] **U.S. Cl. D7/655; D21/87**

[58] **Field of Search D7/642, 643, 644, 645, D7/651, 653, 654, 655, 663; D9/307, 308; D21/87, 90; 30/324, 326; D10/46.2; D24/63**

[56] **References Cited**

U.S. PATENT DOCUMENTS

D. 166,914	6/1952	Hepner	D7/655
D. 172,480	6/1954	Silletti	D7/655
D. 257,757	1/1981	Acker	D7/655
D. 273,406	4/1984	Young	D21/87
D. 283,144	3/1986	Jensen	D21/87 X
D. 302,091	7/1989	Bergman	D7/655
4,779,344	10/1988	Panisch	30/326

OTHER PUBLICATIONS

Spaceflight, vol. 23, No. 2, Feb. 1981, cover page/front ?, published by The British Interplanetary Society/S-paceship shown on Launching Pad.

Primary Examiner—Winifred E. Herrmann
Attorney, Agent, or Firm—Kane, Dalsimer, Sullivan, Kurucz, Levy, Eisele and Richard

[57] **CLAIM**

The ornamental design for an infant's feeding spoon, as shown and described.

DESCRIPTION

FIG. 1 is a perspective view of an infant's feeding spoon showing my new design;
FIG. 2 is a front elevational view thereof;
FIG. 3 is a top plan view thereof;
FIG. 4 is a side elevational view thereof with the other side being a mirror image;
FIG. 5 is a rear elevational view thereof; and
FIG. 6 is a bottom plan view thereof.

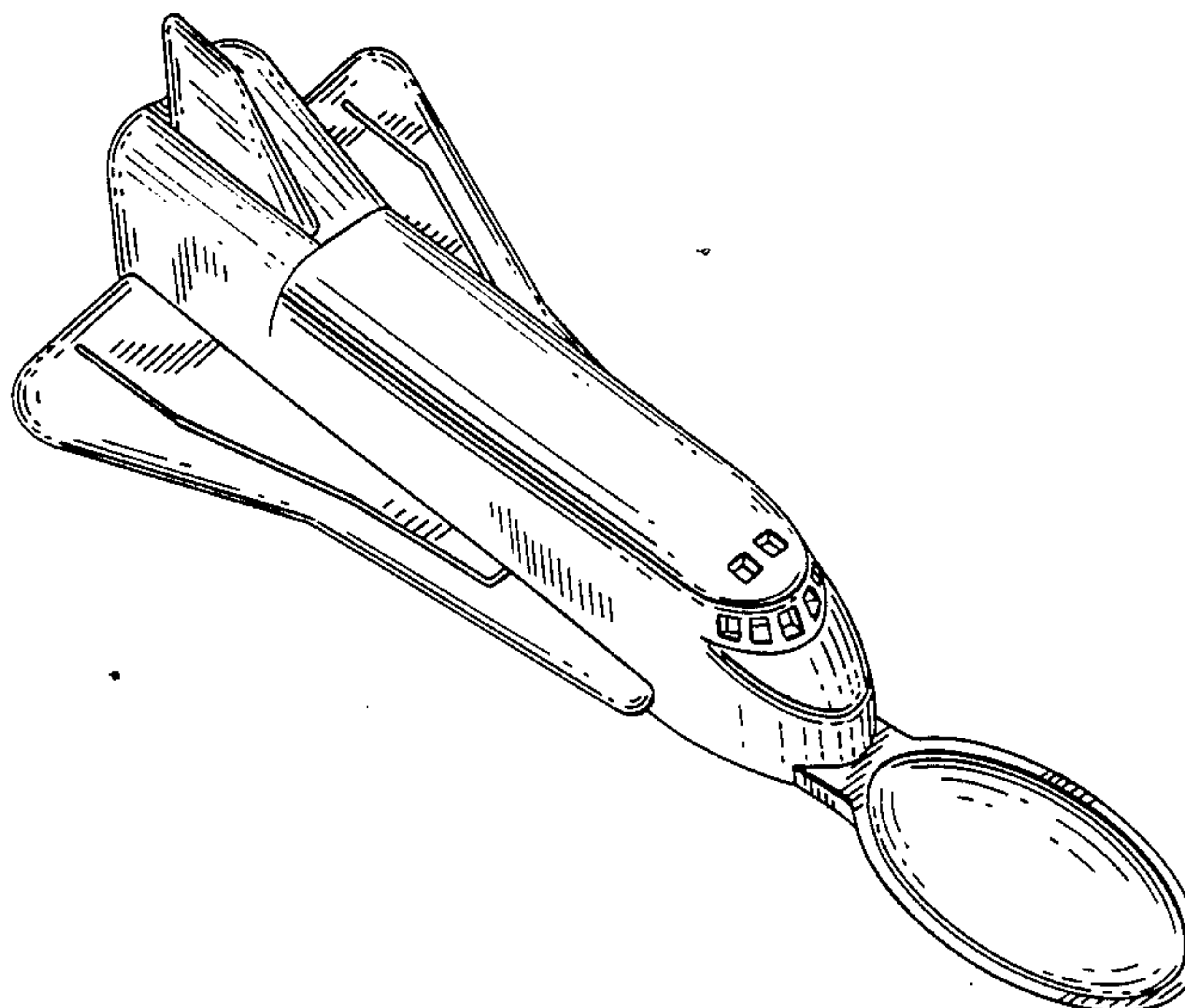


FIG. 1

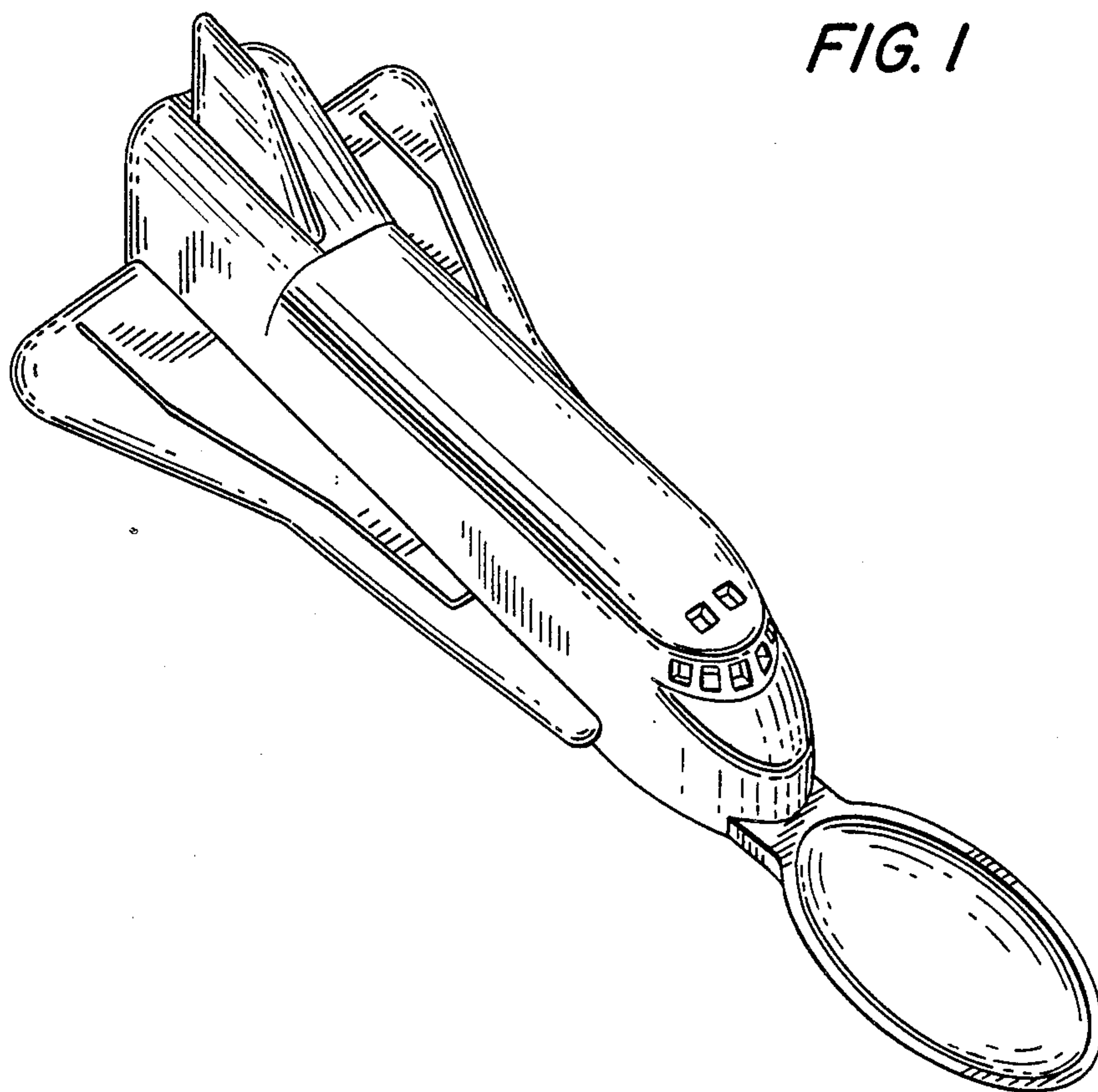


FIG. 2

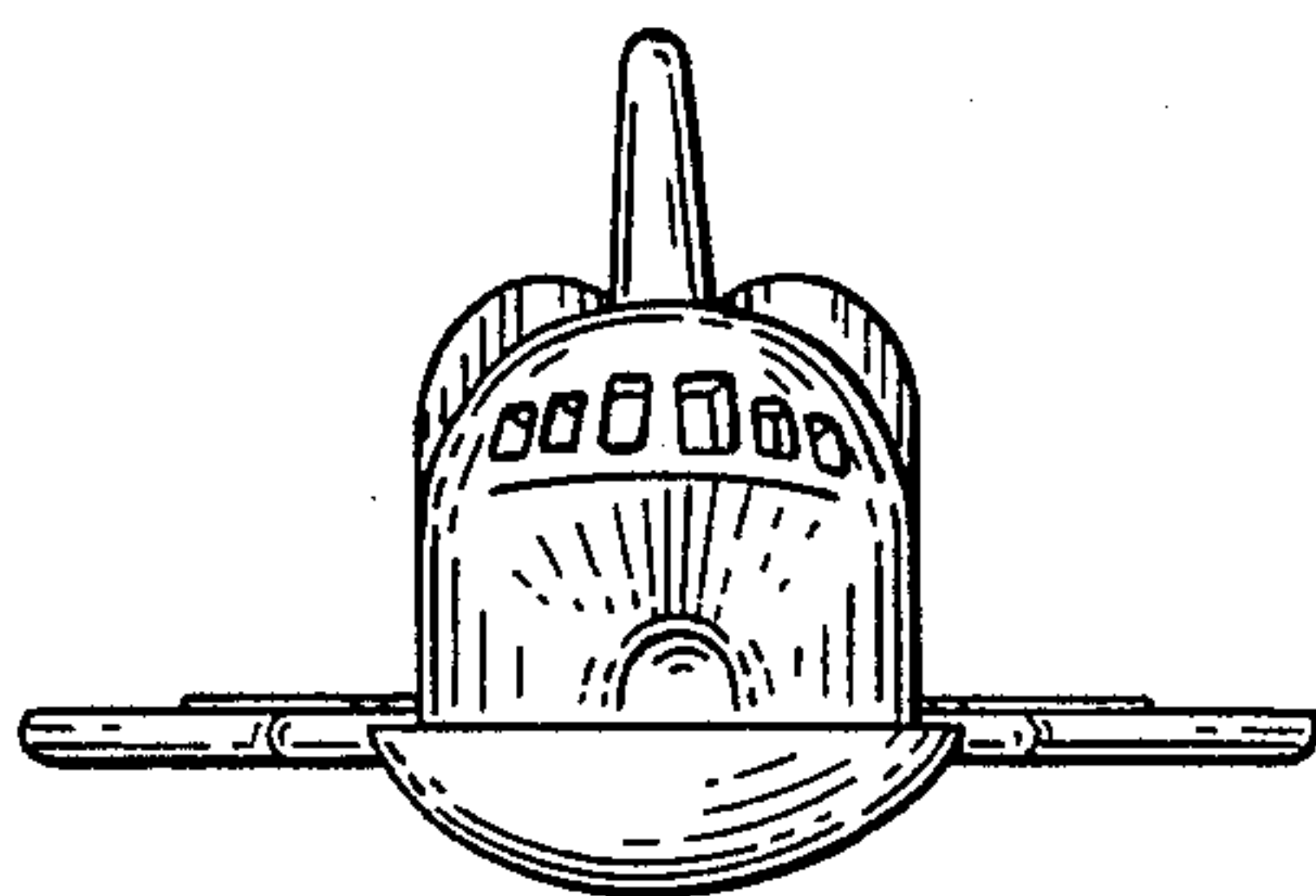


FIG. 3

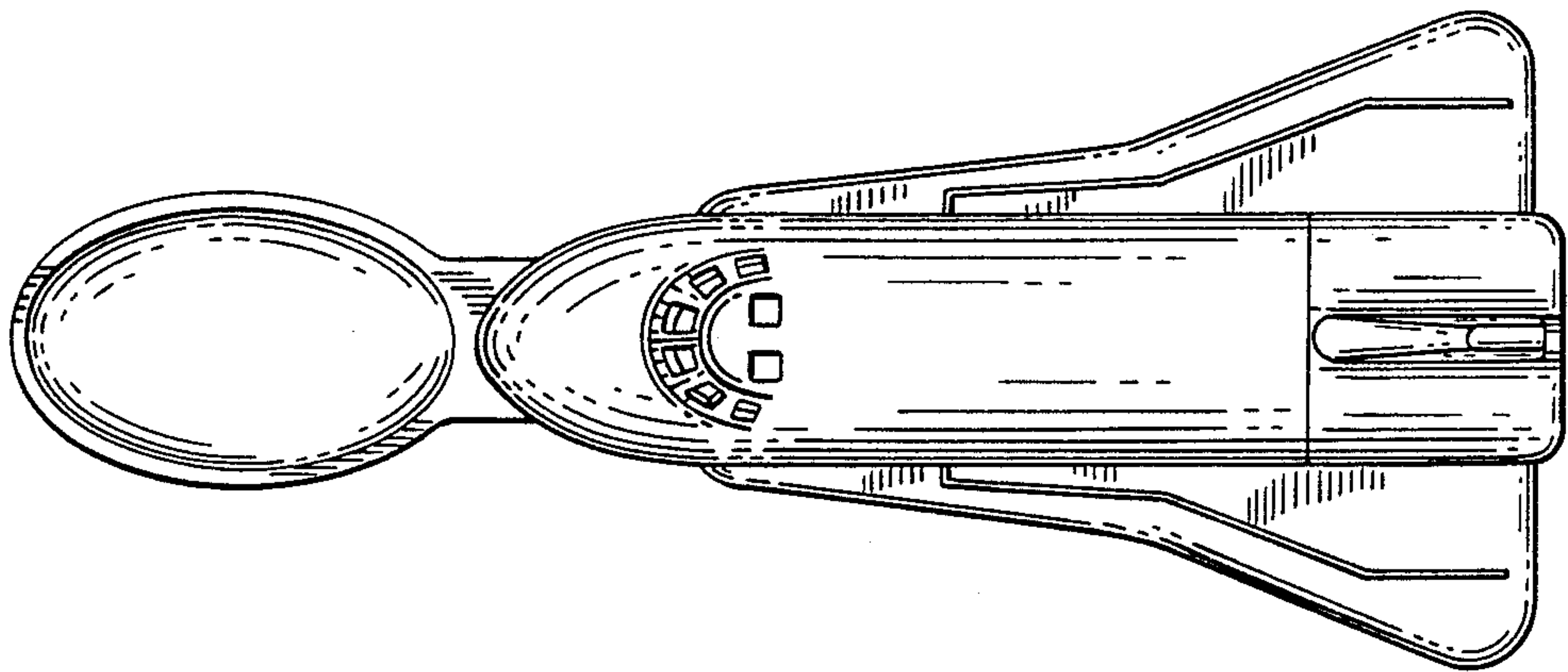


FIG. 4

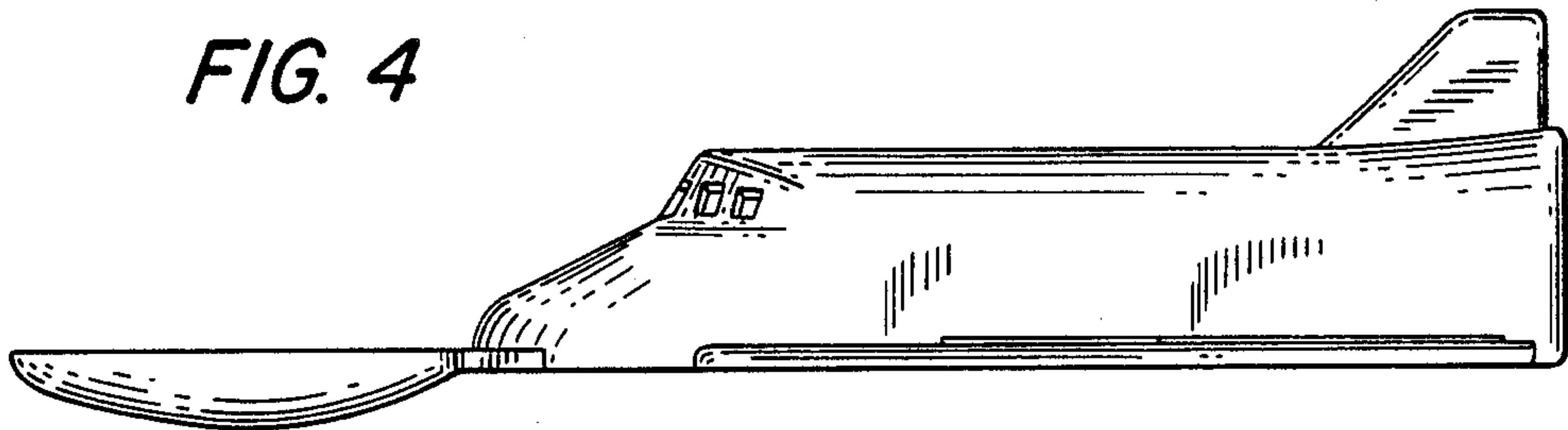


FIG. 5

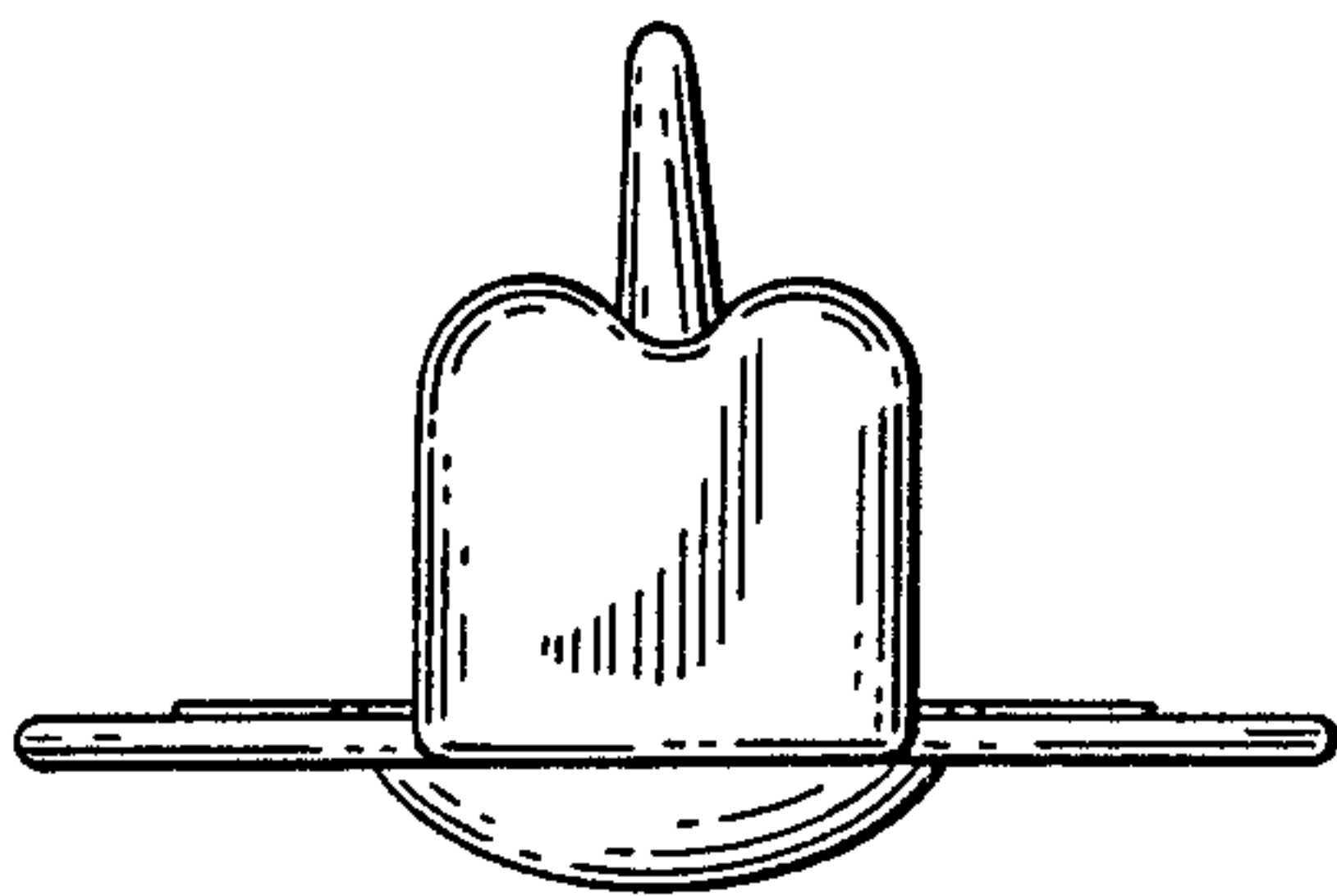


FIG. 6

