

[54] CONDIMENT TURNTABLE

[76] Inventor: Allan Kastanek, 5870 Ridge Creek Rd., Shoreview, Minn. 55126

[**] Term: 14 Years

[21] Appl. No.: 283,516

[22] Filed: Dec. 12, 1988

[52] U.S. Cl. D7/590; D7/501

[58] Field of Search D7/2, 3, 52, 76, 71, D7/72; 211/77, 78, 50

[56] References Cited

U.S. PATENT DOCUMENTS

D. 248,201 6/1978 Kelley D7/2
4,775,055 10/1988 Morse 211/77 X

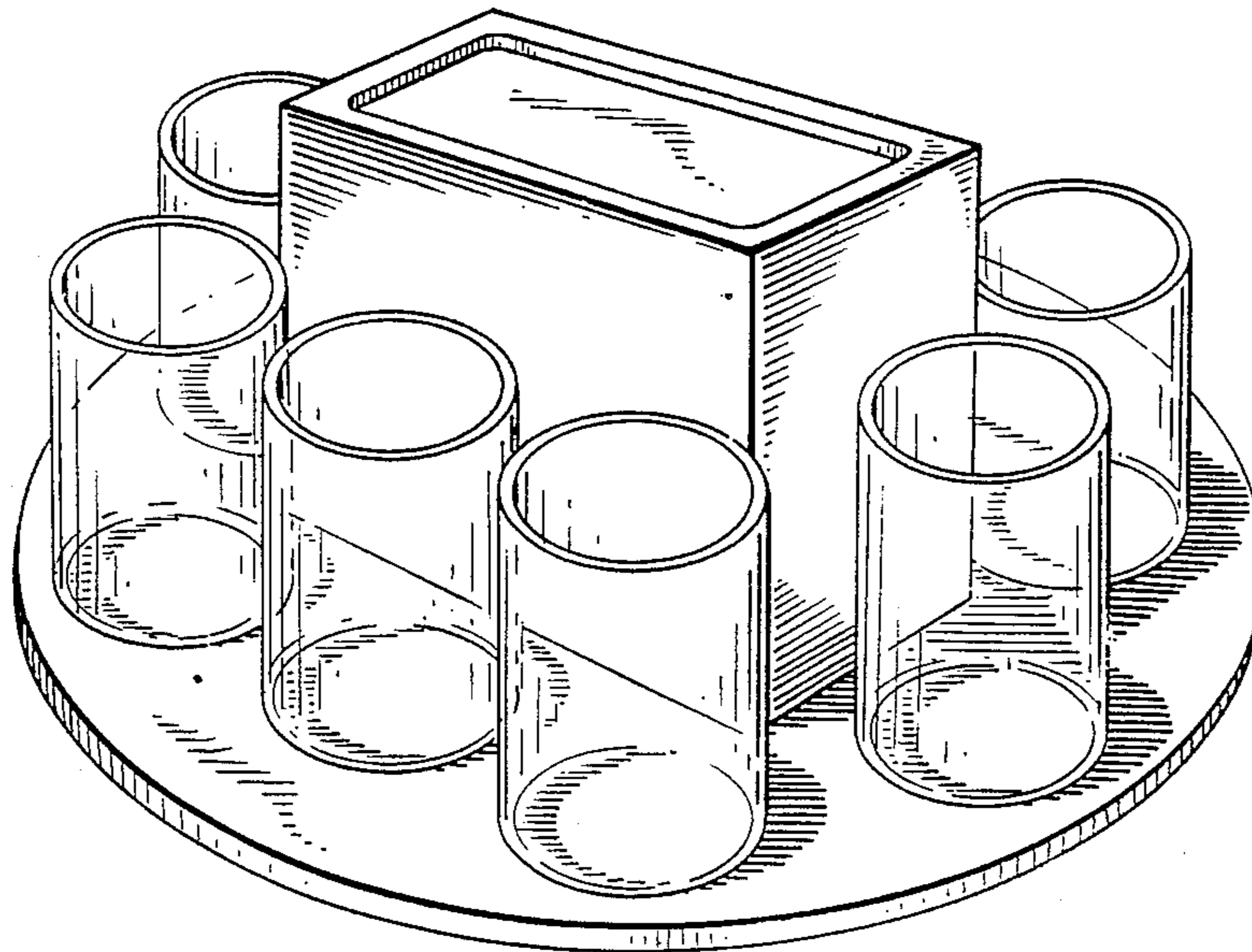
Primary Examiner—Bernard Ansher
Assistant Examiner—Terry A. Pfeffer
Attorney, Agent, or Firm—Douglas L. Tschida

[57] CLAIM

The ornamental design for a condiment turntable, as shown and described.

DESCRIPTION

FIG. 1 is a perspective view of a condiment turntable showing my new design;
FIG. 2 is a front elevational view thereof, the opposite side being a mirror image;
FIG. 3 is a right side elevational view thereof, the opposite side being a mirror image;
FIG. 4 is a top plan view thereof; and
FIG. 5 is a bottom plan view thereof.



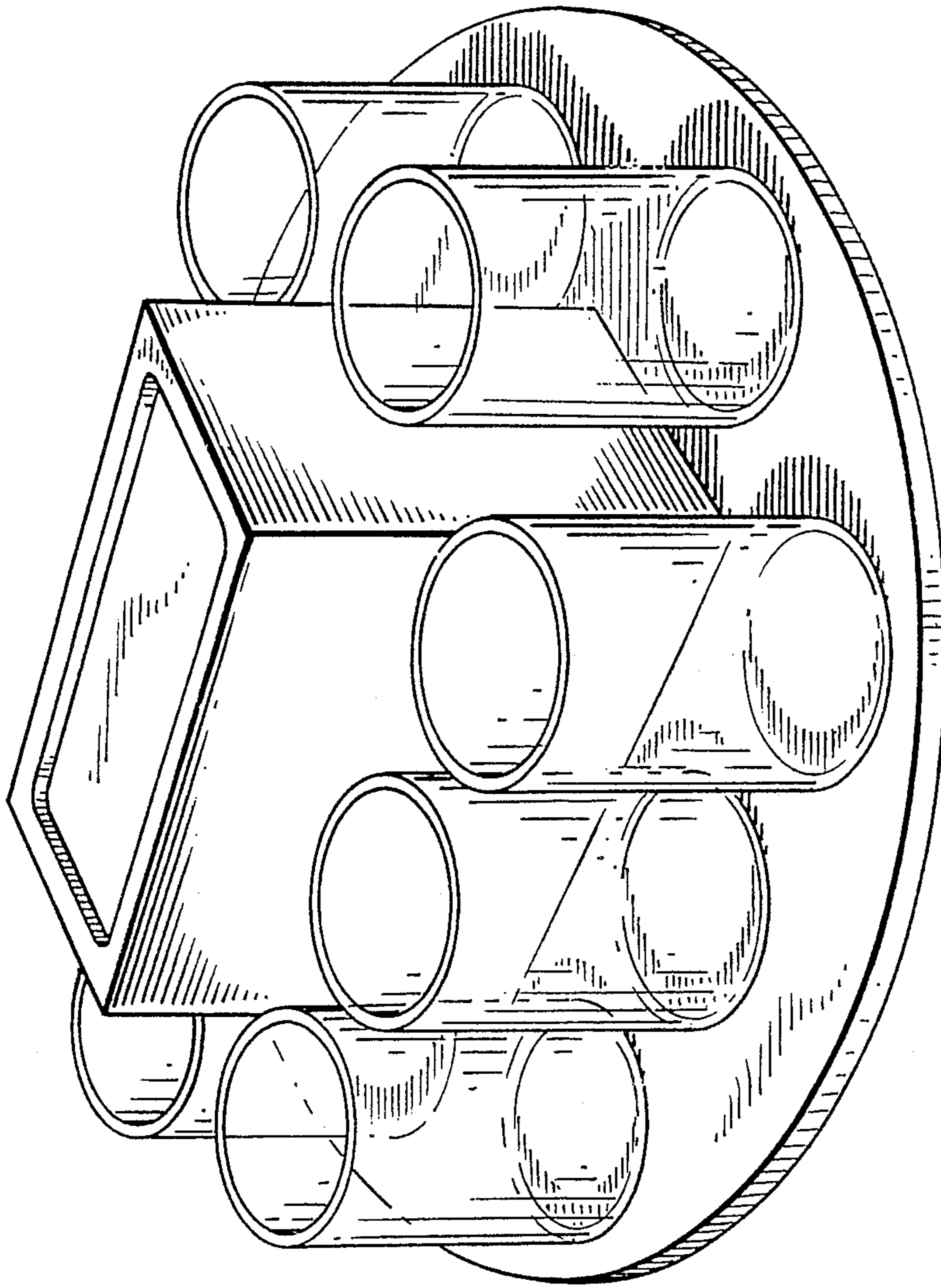


FIG. 1

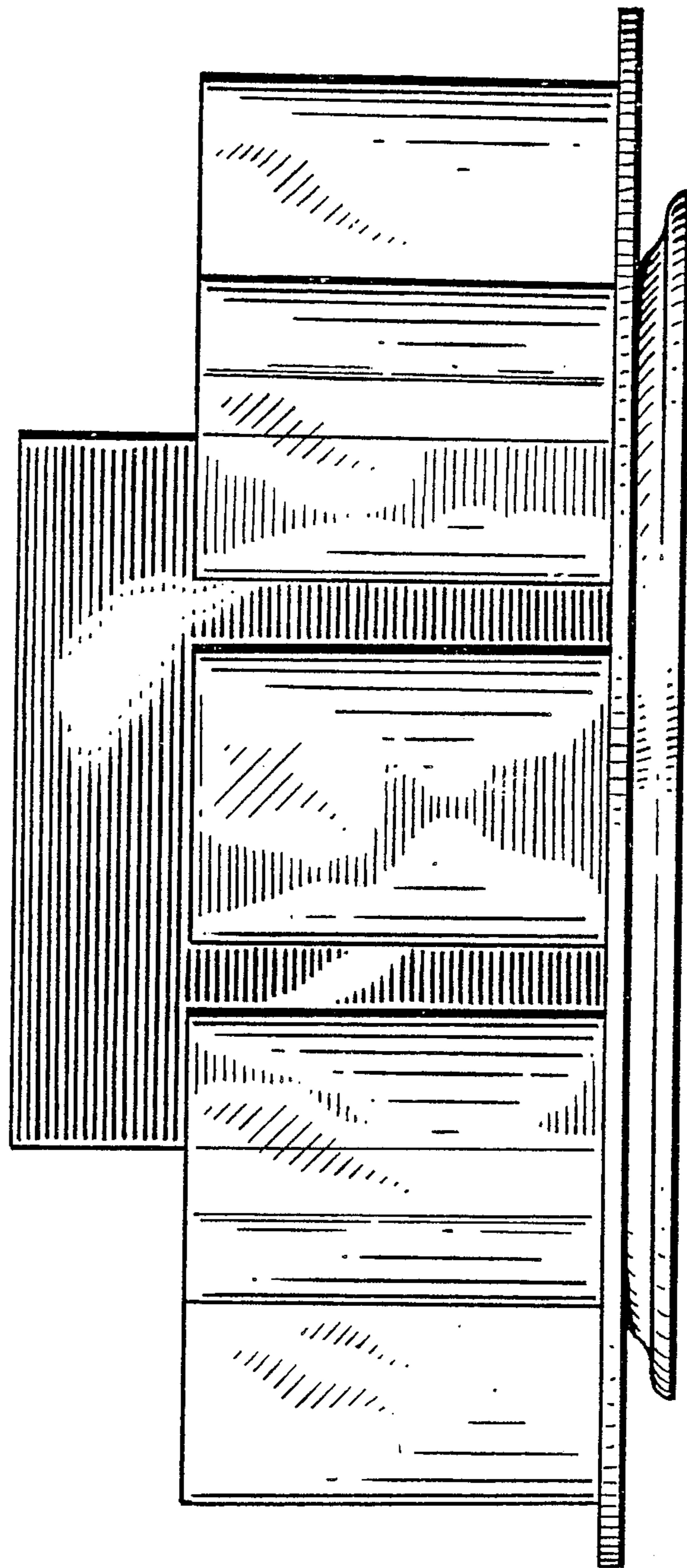


FIG. 2

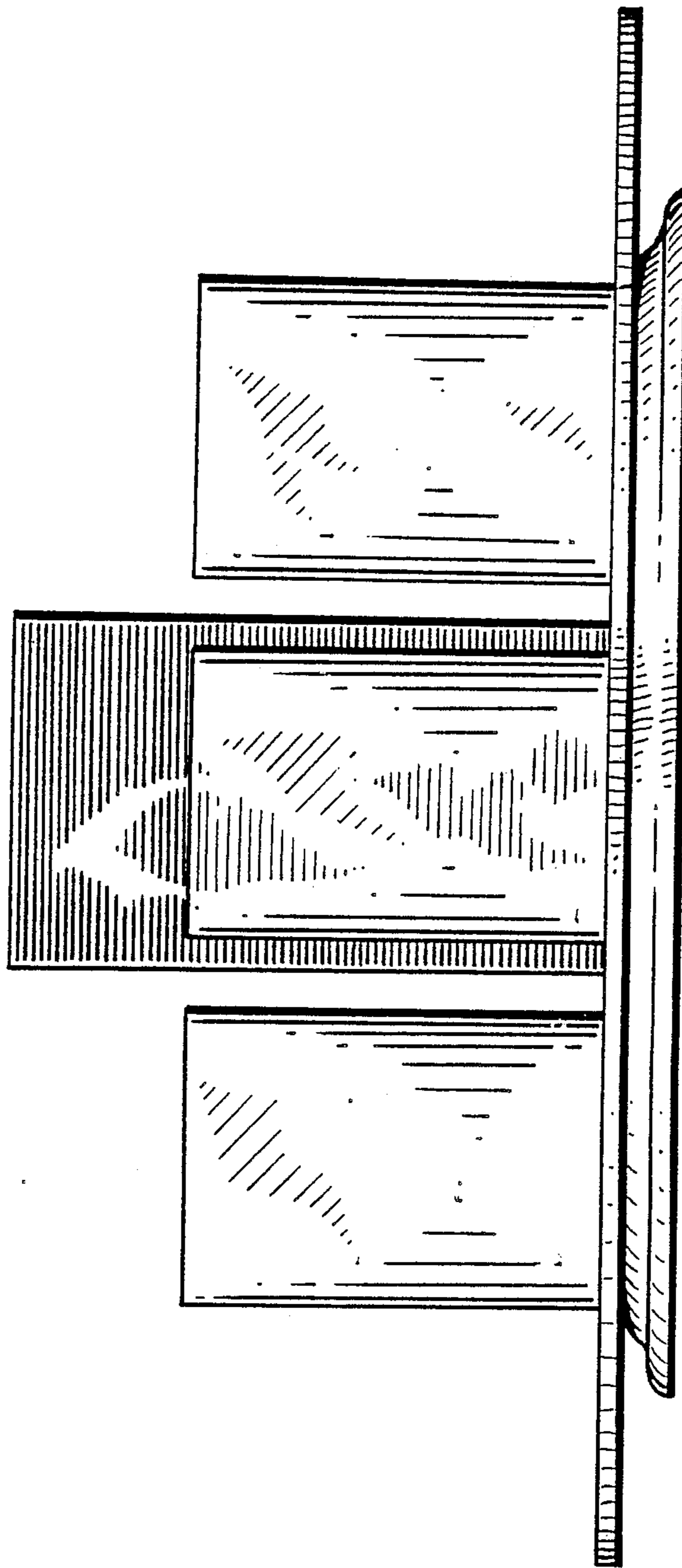


FIG. 3

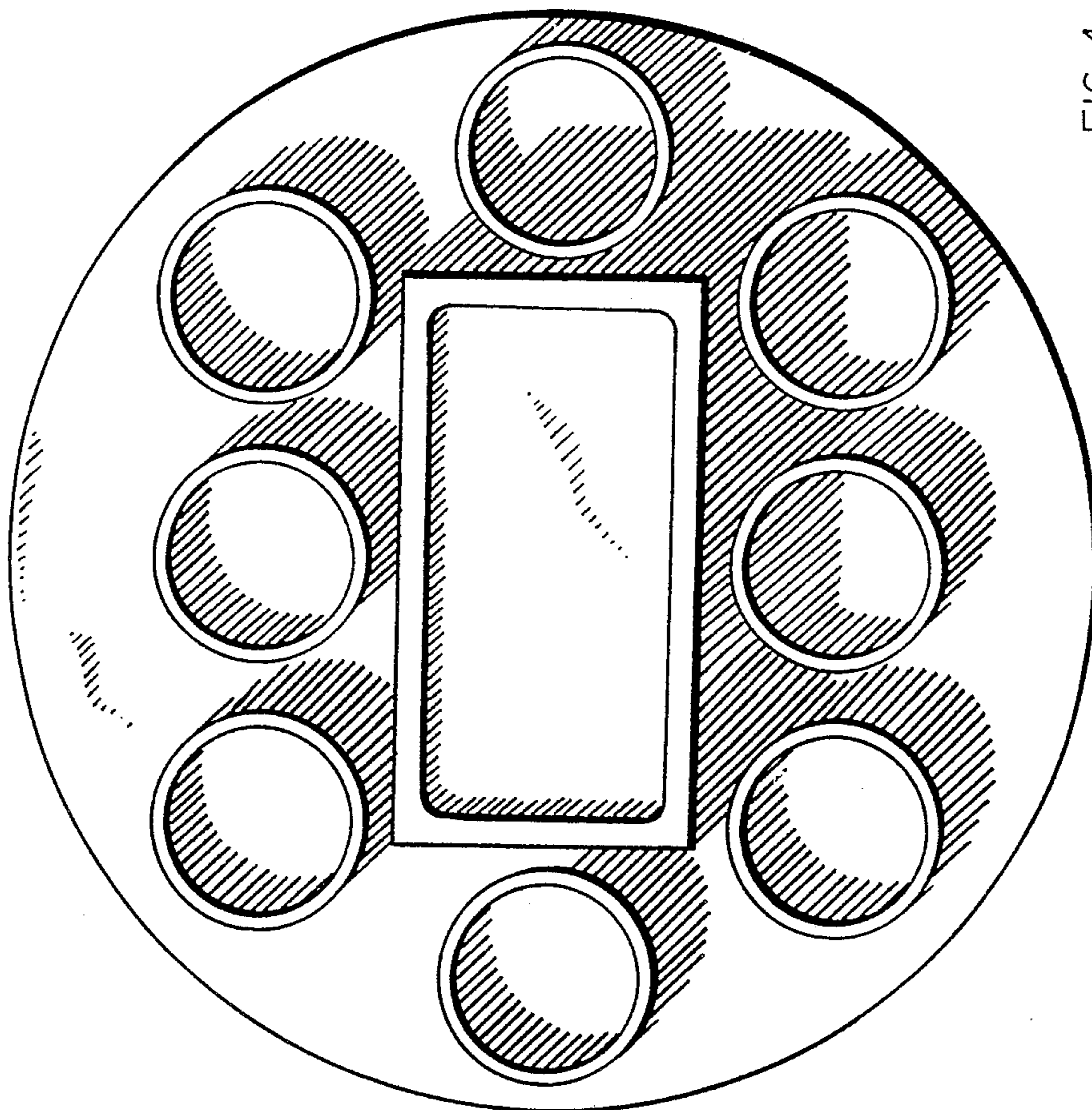


FIG. 4

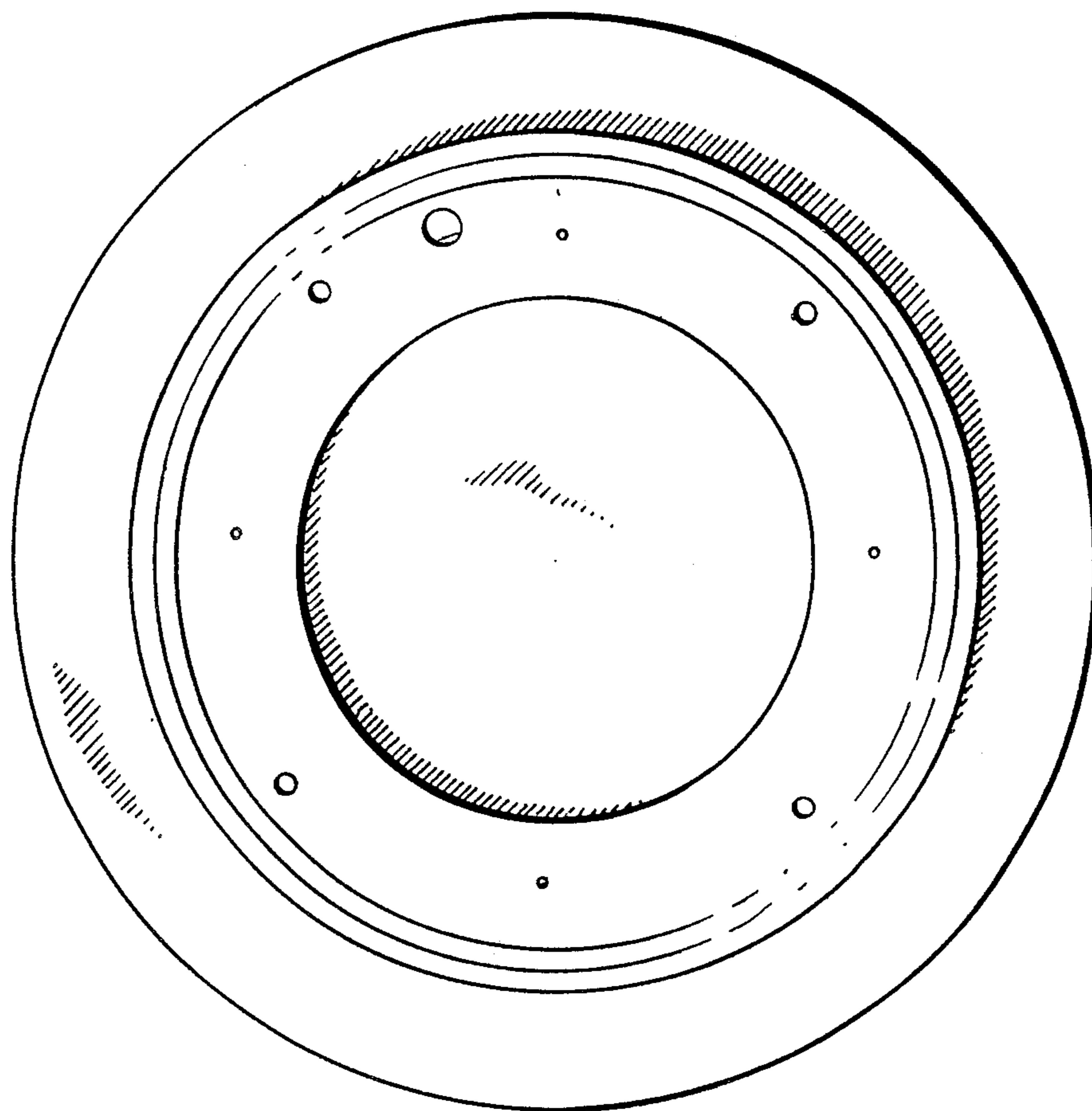


FIG. 5