

[54] **PILL DISPENSER**

[76] Inventor: **Ronald J. Vigil, 2841 Champa St., Denver, Colo. 80205**

[**] Term: **14 Years**

[21] Appl. No.: **189,588**

[22] Filed: **May 2, 1988**

[52] U.S. Cl. **D7/589; D6/515**

[58] Field of Search **D6/512, 515, 517, 518; D7/589, 596, 635, 672; 206/534, 459, 538; 221/194, 195, 92, 97, 123, 155; 312/45, 72**

[56] **References Cited**

U.S. PATENT DOCUMENTS

| | | | |
|------------|---------|------------------|---------|
| D. 203,871 | 2/1966 | Holtkamp | D7/589 |
| D. 206,818 | 1/1967 | Fraser | D7/589 |
| D. 285,993 | 10/1986 | Genna | D6/515 |
| 2,431,490 | 11/1947 | Lauer | 206/42 |
| 2,958,438 | 11/1960 | Severson | 220/20 |
| 3,033,355 | 5/1962 | Van Sickle | 206/42 |
| 3,393,794 | 7/1968 | Borin | 206/42 |
| 3,397,770 | 8/1968 | Howard | 206/42 |
| 3,515,265 | 6/1970 | Bartnik | 206/42 |
| 3,537,422 | 11/1970 | Moë | 116/121 |
| 3,618,559 | 11/1971 | Moë | 116/121 |
| 3,638,603 | 2/1972 | Conover | 206/538 |

| | | | |
|-----------|---------|-------------------|---------|
| 3,817,372 | 6/1974 | Smith | 206/42 |
| 3,820,655 | 6/1974 | La Tourette | 206/42 |
| 4,038,937 | 8/1977 | Moë | 116/121 |
| 4,126,247 | 11/1978 | Majka | 221/2 |
| 4,349,338 | 9/1982 | Heppler | 206/459 |
| 4,381,059 | 4/1983 | Schurman | 206/553 |
| 4,473,156 | 9/1984 | Martin | 206/534 |

OTHER PUBLICATIONS

Visual Merchandising & Store Design, 10/83, p. 64, plastic bin on upper left.

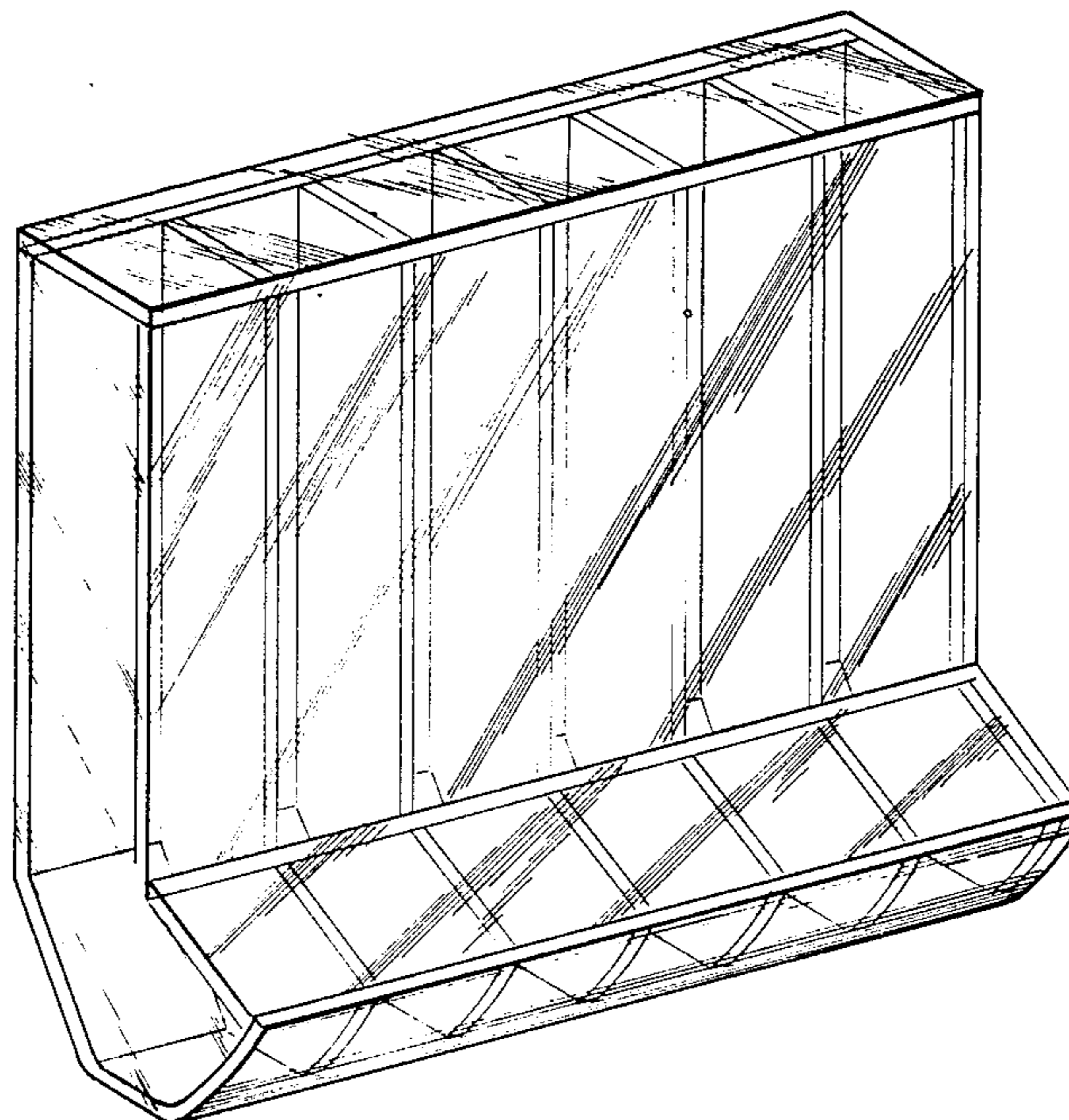
Primary Examiner—B. J. Bullock
Assistant Examiner—Sandra Morris
Attorney, Agent, or Firm—John E. Reilly

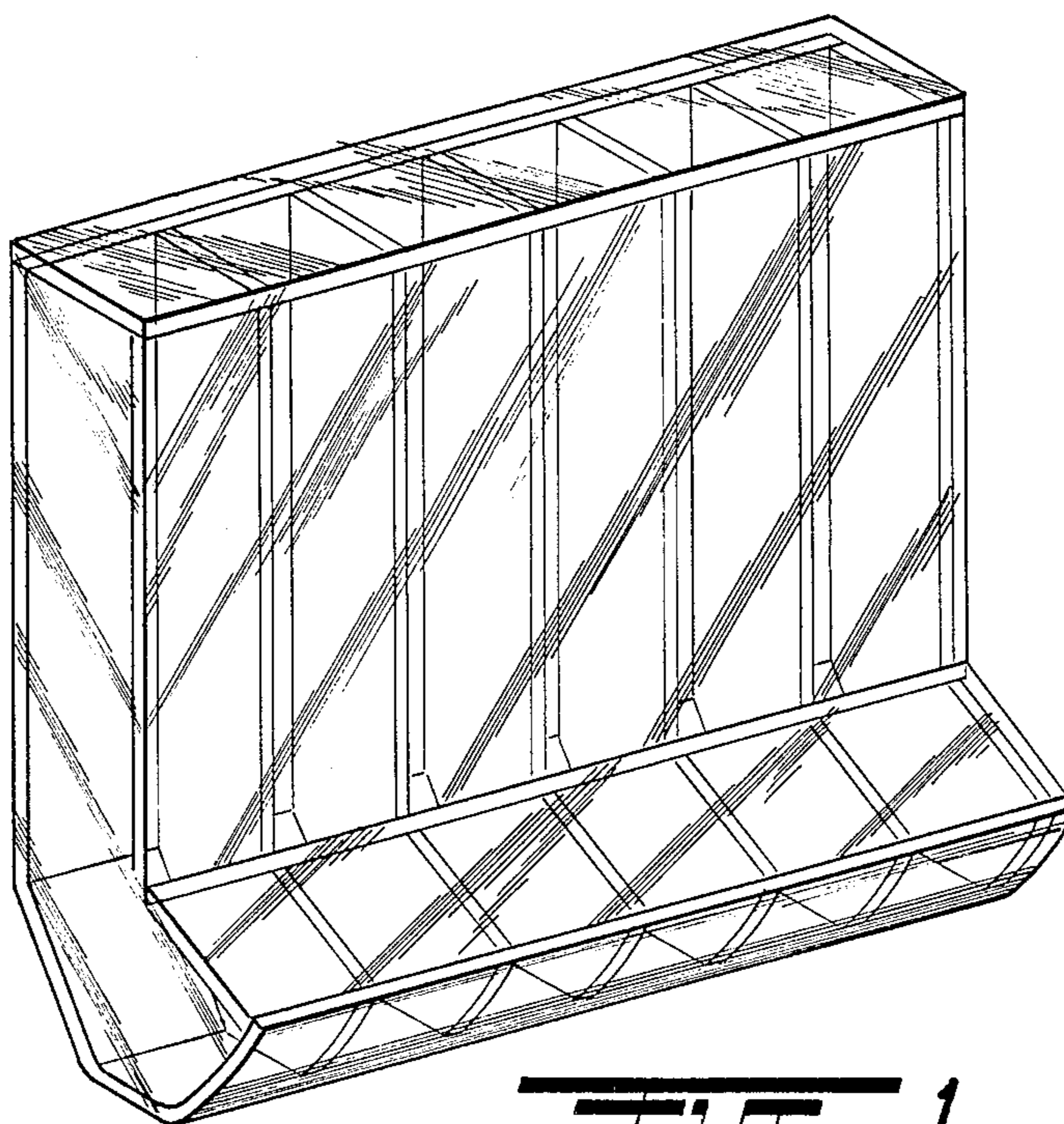
[57] **CLAIM**

The ornamental design for a pill dispenser, as shown and described.

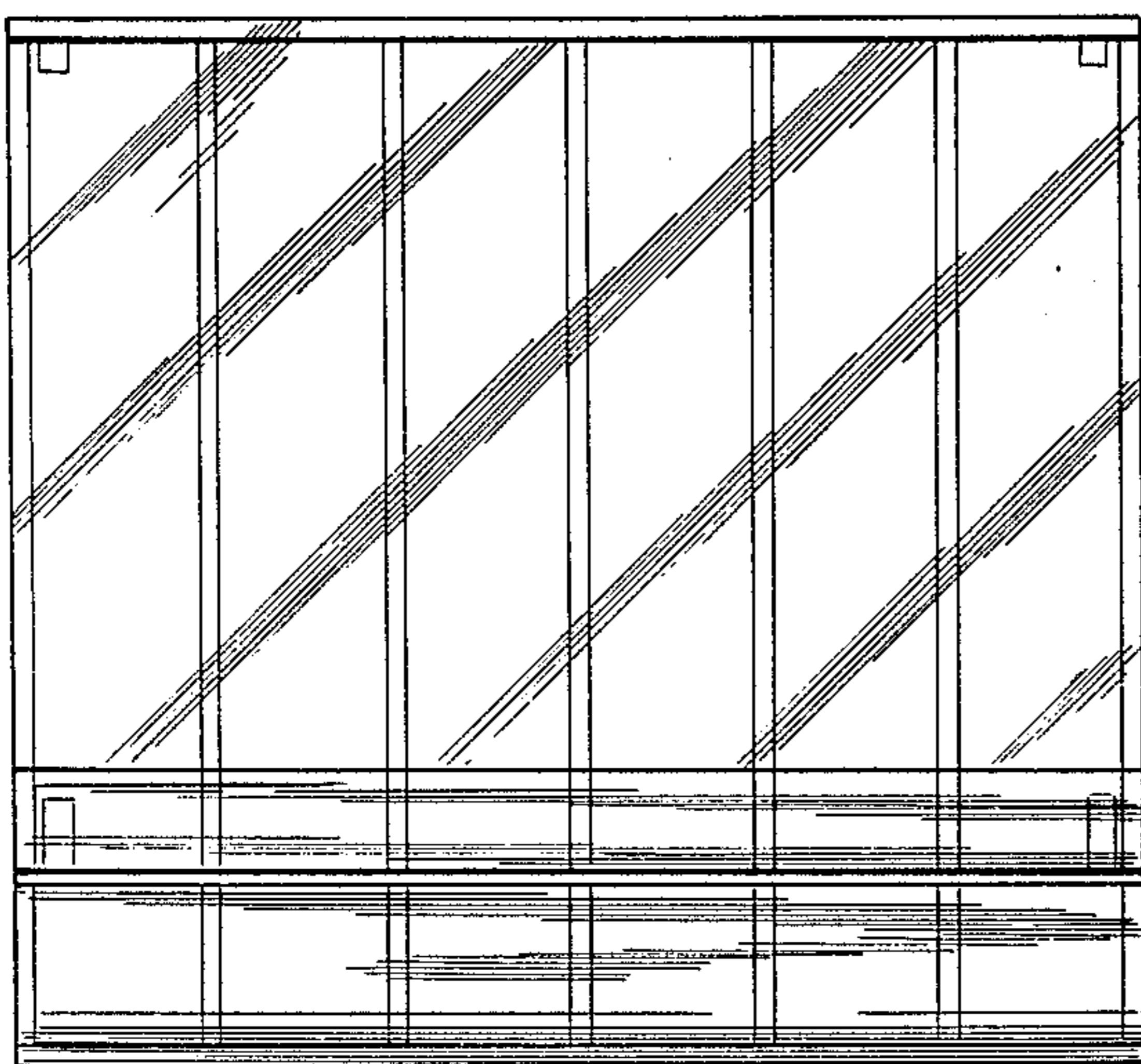
DESCRIPTION

FIG. 1 is a perspective view of a pill dispenser, showing my new design;
FIG. 2 is a front elevational view thereof;
FIG. 3 is a right side elevational view thereof;
FIG. 4 is a top plan view thereof;
FIG. 5 is a bottom plan view;
FIG. 6 is a rear elevational view thereof;
FIG. 7 is a left side elevational view thereof.

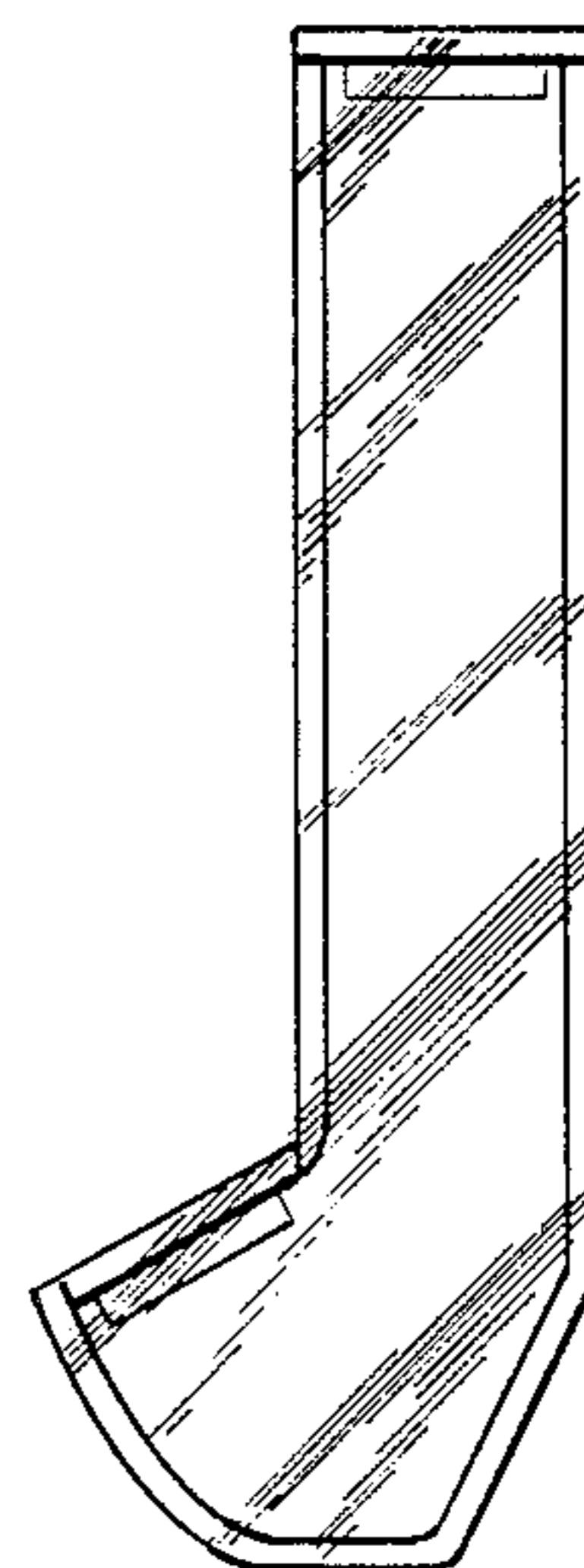




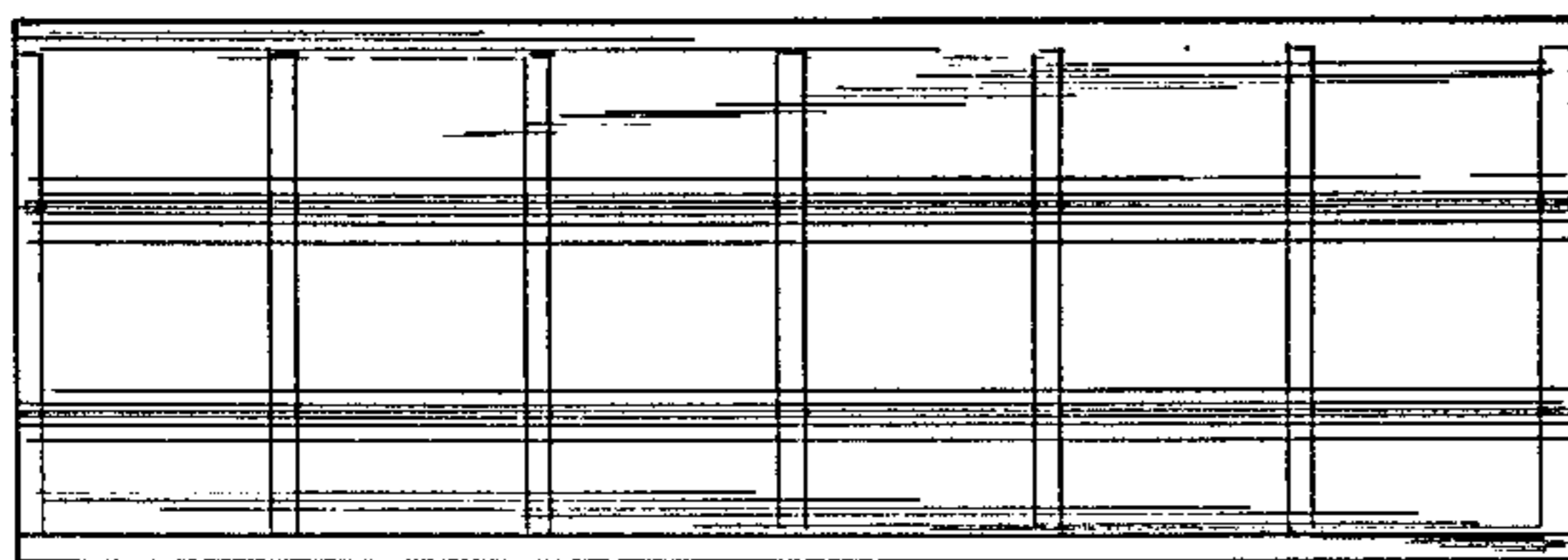
 1



 2



 3



 4

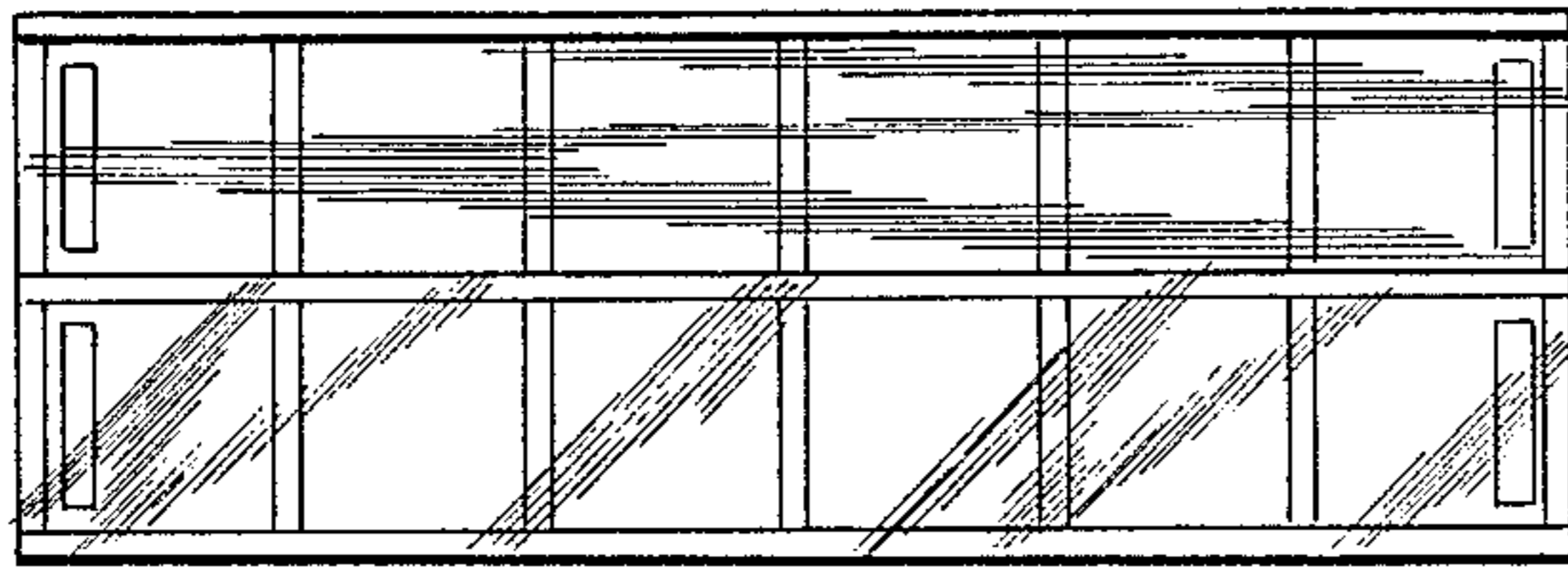


FIG. 5

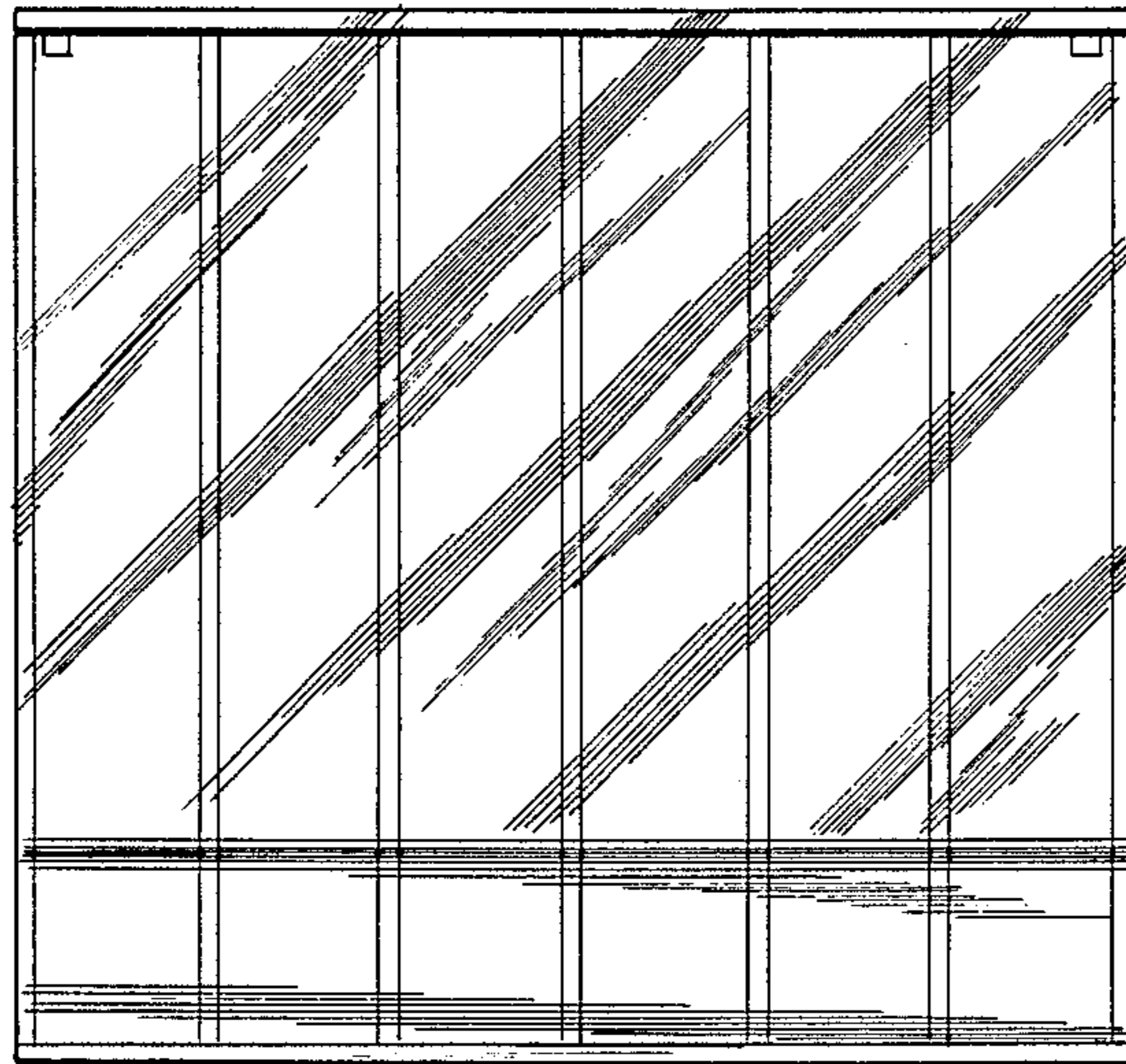


FIG. 6

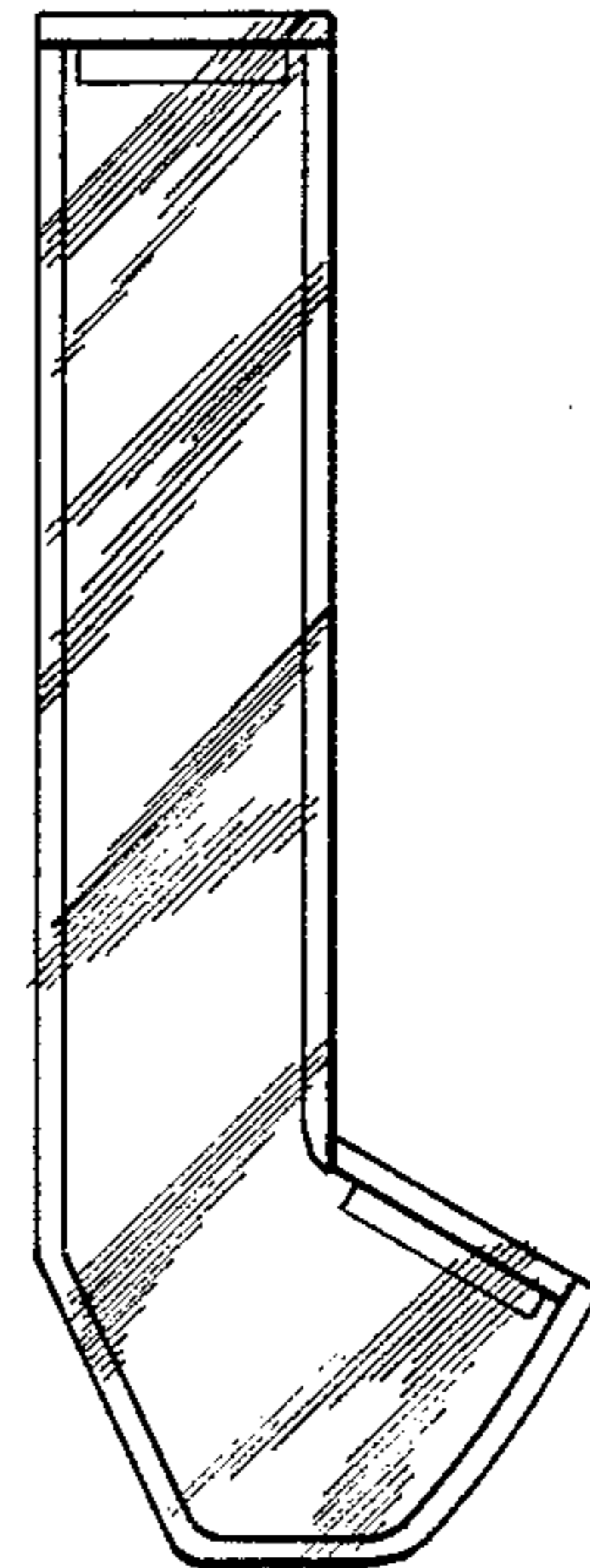


FIG. 7