

[54] POWER HAMMER DRILL

[75] Inventors: Toshiaki Saito, Tokyo; Shintaro Hara, Hiroshima, both of Japan

[73] Assignee: Ryobi Ltd., Hiroshima, Japan

[**] Term: 14 Years

[21] Appl. No.: 165,677

[22] Filed: Mar. 8, 1988

[30] Foreign Application Priority Data

Sep. 9, 1987 [JP] Japan 62-36955

[52] U.S. Cl. D8/67; D8/69

[58] Field of Search D8/61, 67, 68, 69; 81/57.11, 57.13, 57.14, 464, DIG. 12; 173/170; 408/17, 138, 141, 702

[56] References Cited

U.S. PATENT DOCUMENTS

D. 301,967 7/1989 Sakamoto et al. D8/61 X

FOREIGN PATENT DOCUMENTS

660420 9/1985 Japan .

OTHER PUBLICATIONS

Kango Electric Hammers Catalog, 10/85, p. 3, Model No. 422, "Drilling Hammer".

Red Head Flyer, 10/75, Model No. 747, "Anchoring System".

HAC New Products, one page, 2/71, top figure, Hilti Hammer Drill, "Model No. TE-17".

Primary Examiner—Winifred E. Herrmann

Assistant Examiner—John Warchol

Attorney, Agent, or Firm—Sughrue, Mion, Zinn, Macpeak & Seas

[57] CLAIM

The ornamental design for a power hammer drill, as shown.

DESCRIPTION

FIG. 1 is a front, top and right side perspective view of a power hammer drill showing our new design; FIG. 2 is a right side elevational view thereof; FIG. 3 is a top plan view thereof; FIG. 4 is a left side elevational view thereof; FIG. 5 is a bottom plan view thereof; FIG. 6 is a front elevational view thereof; and FIG. 7 is a rear elevational view thereof.

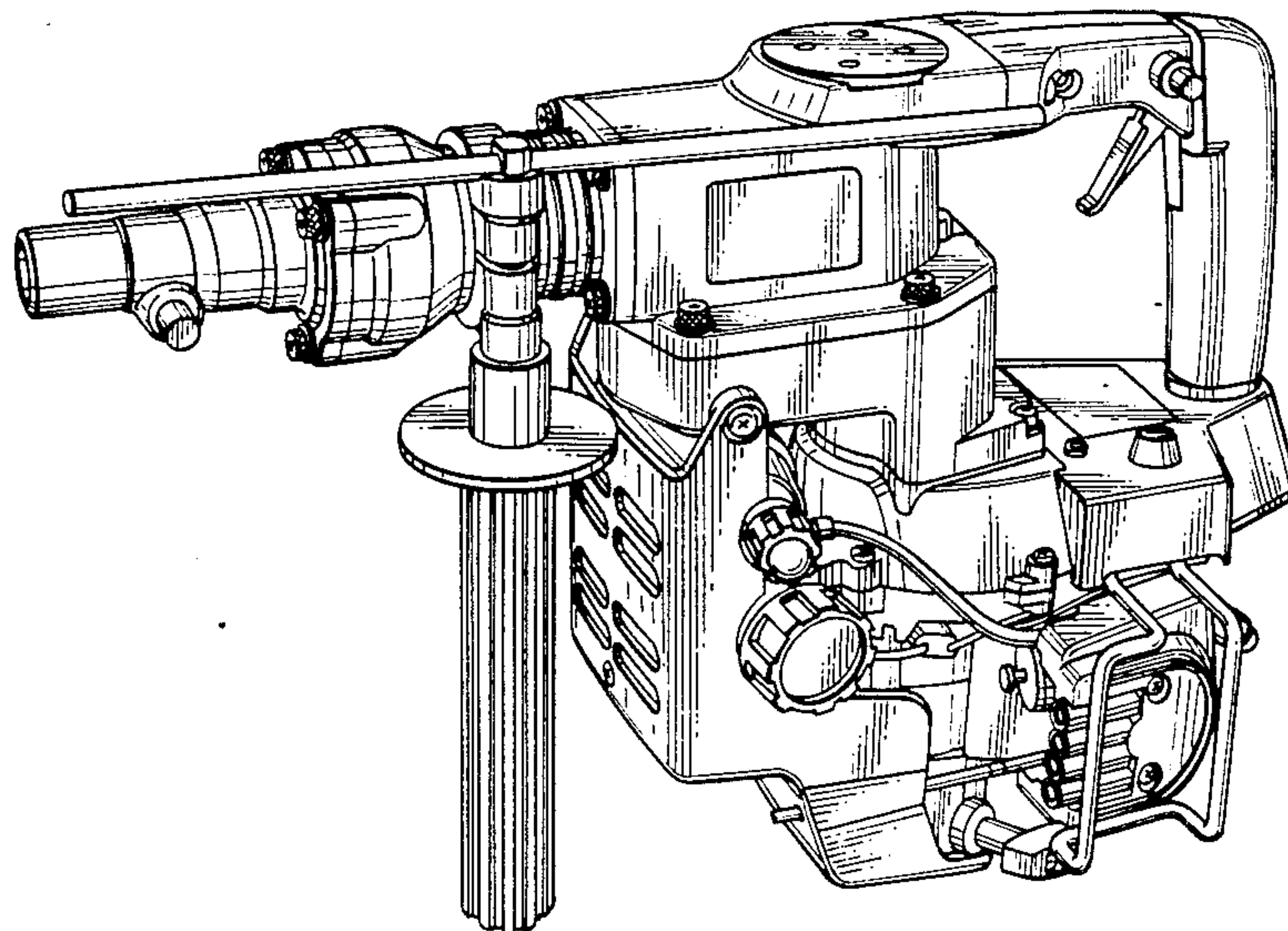


Fig. 1

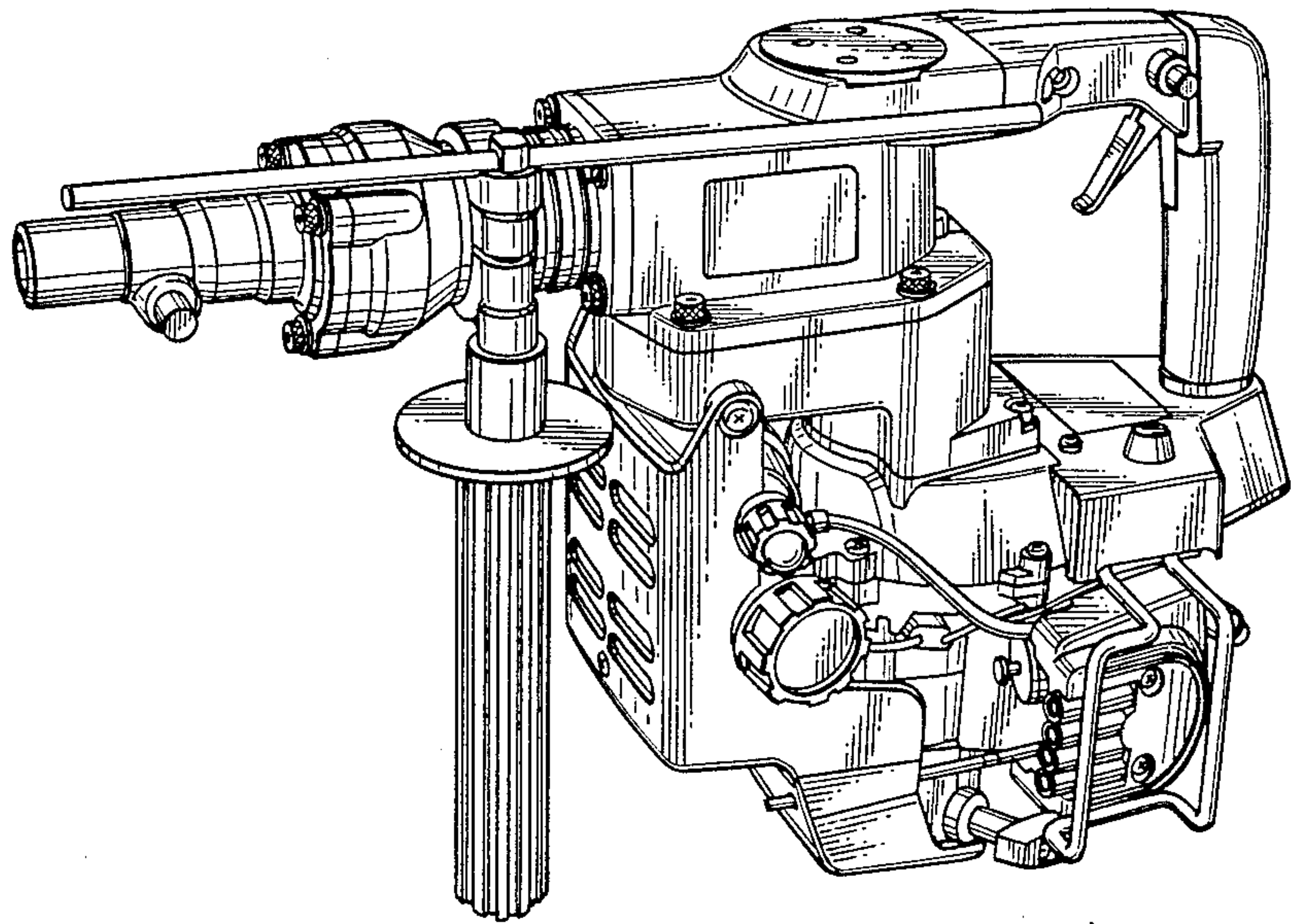


Fig. 2

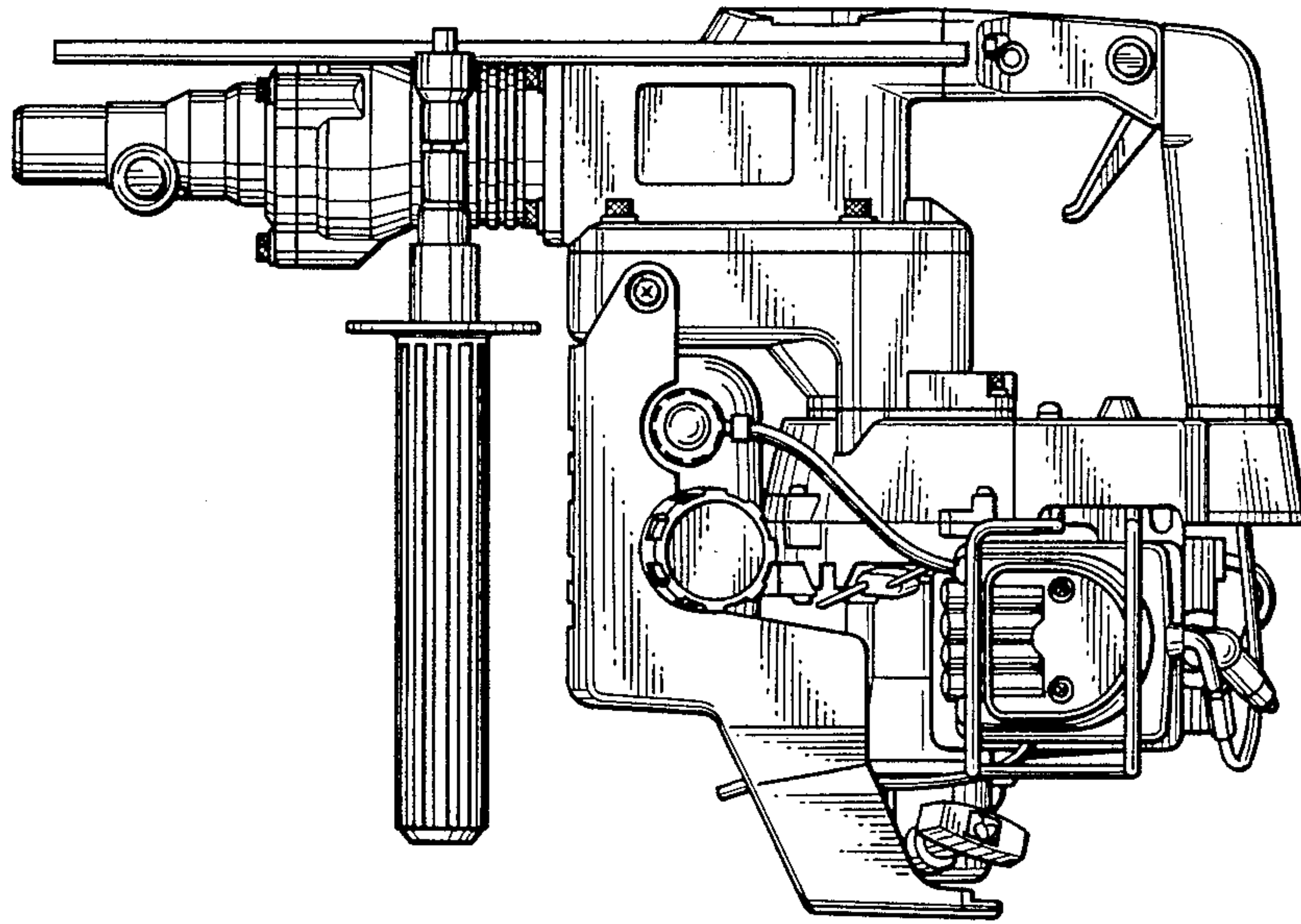


Fig. 3

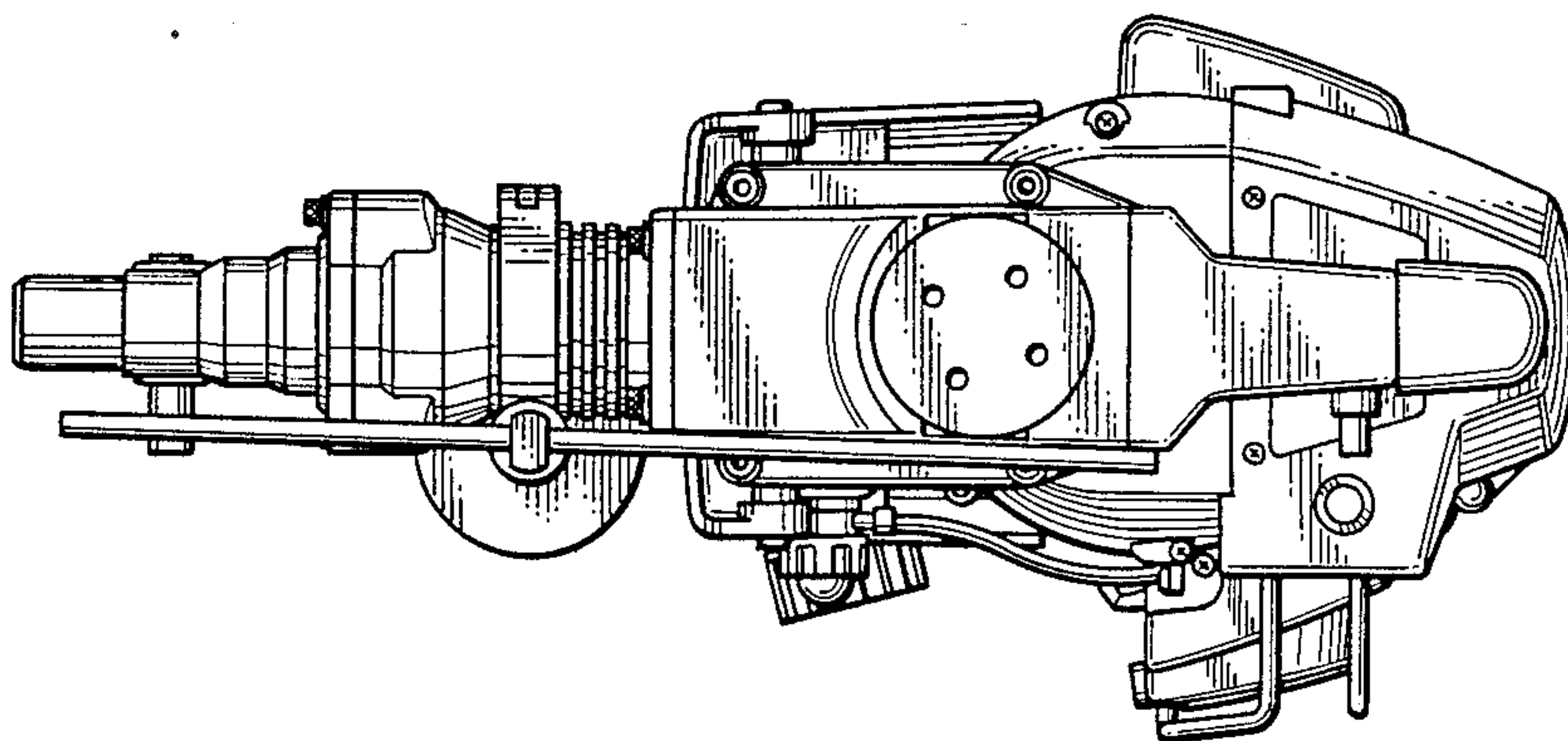


Fig. 4

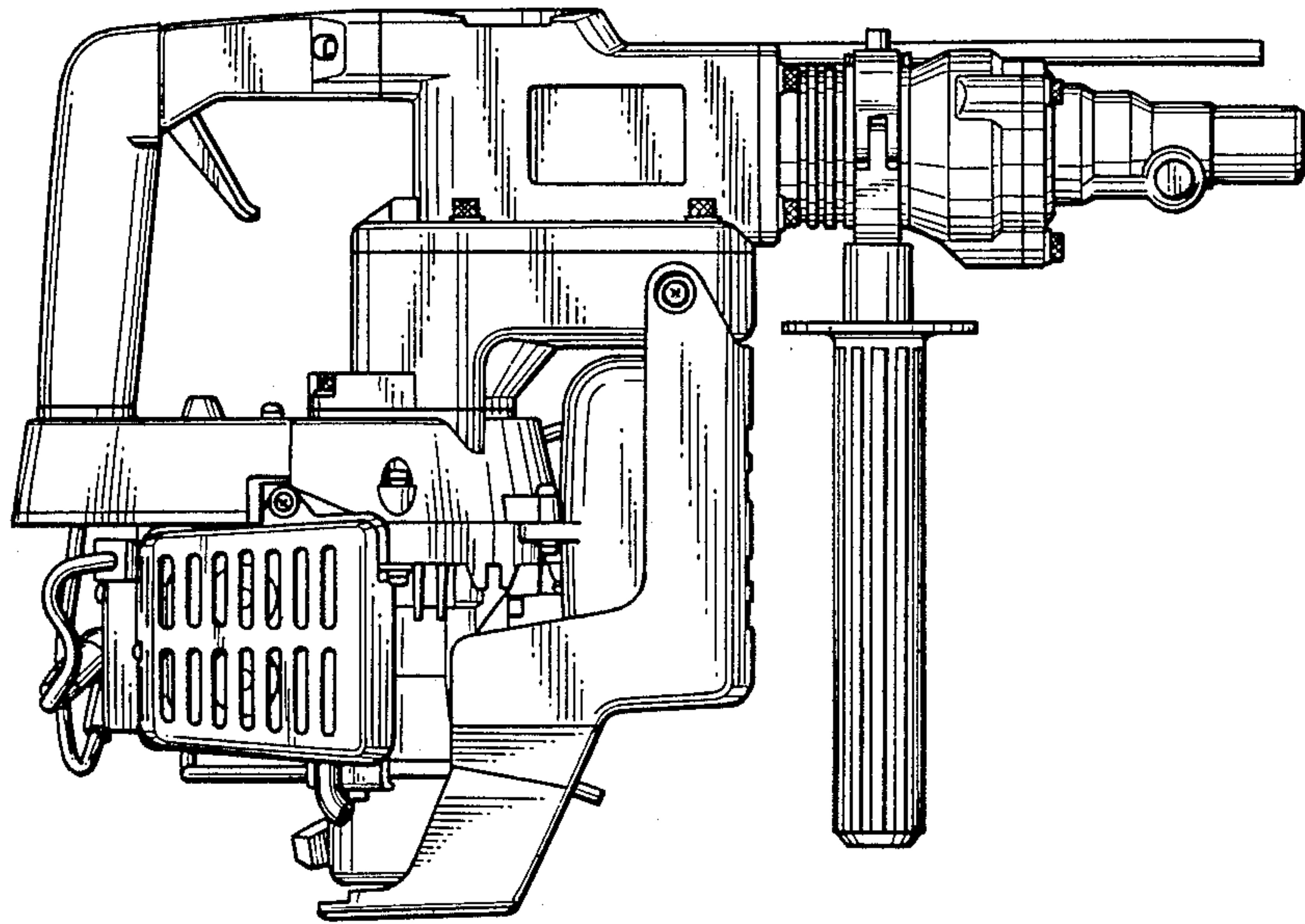


Fig. 5

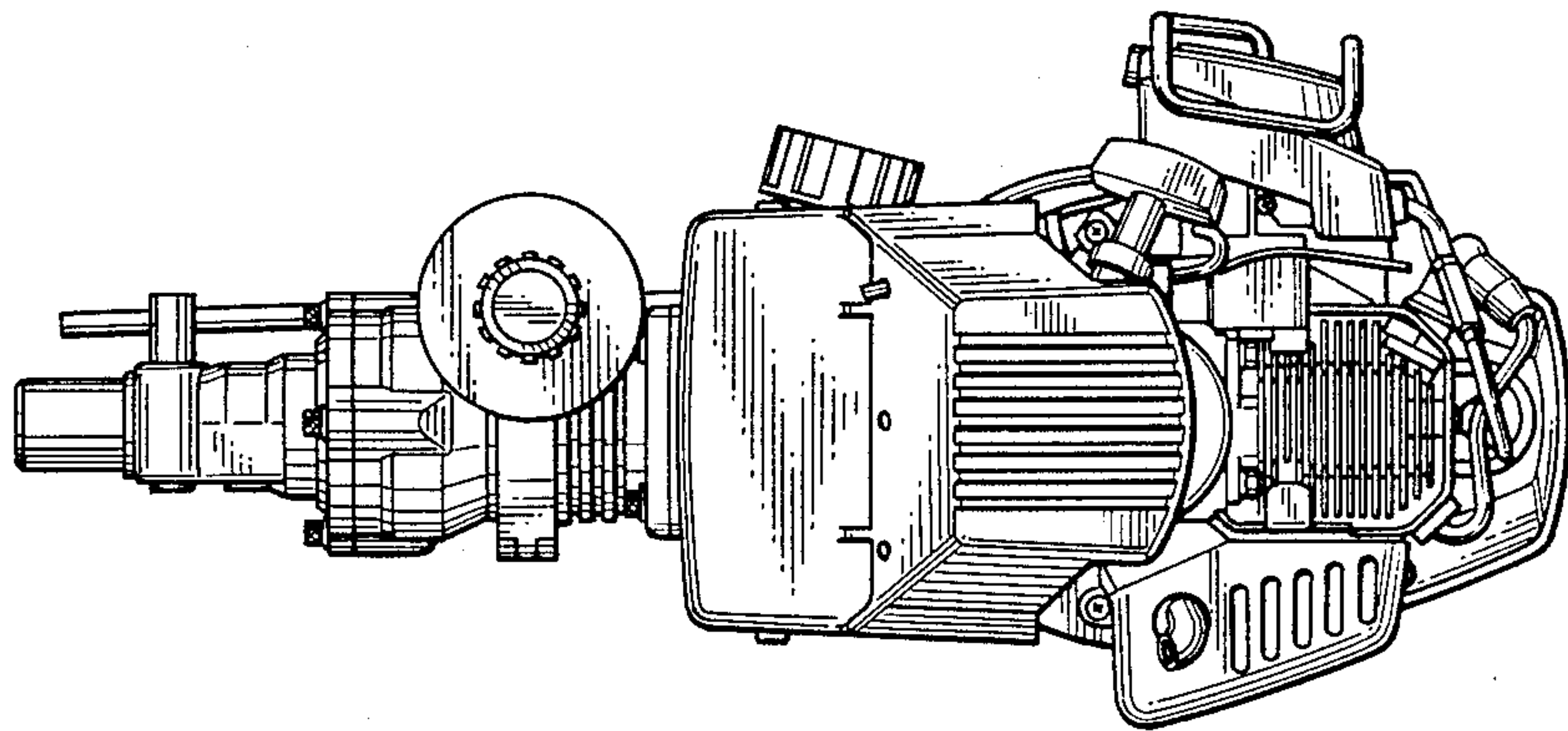


Fig. 6

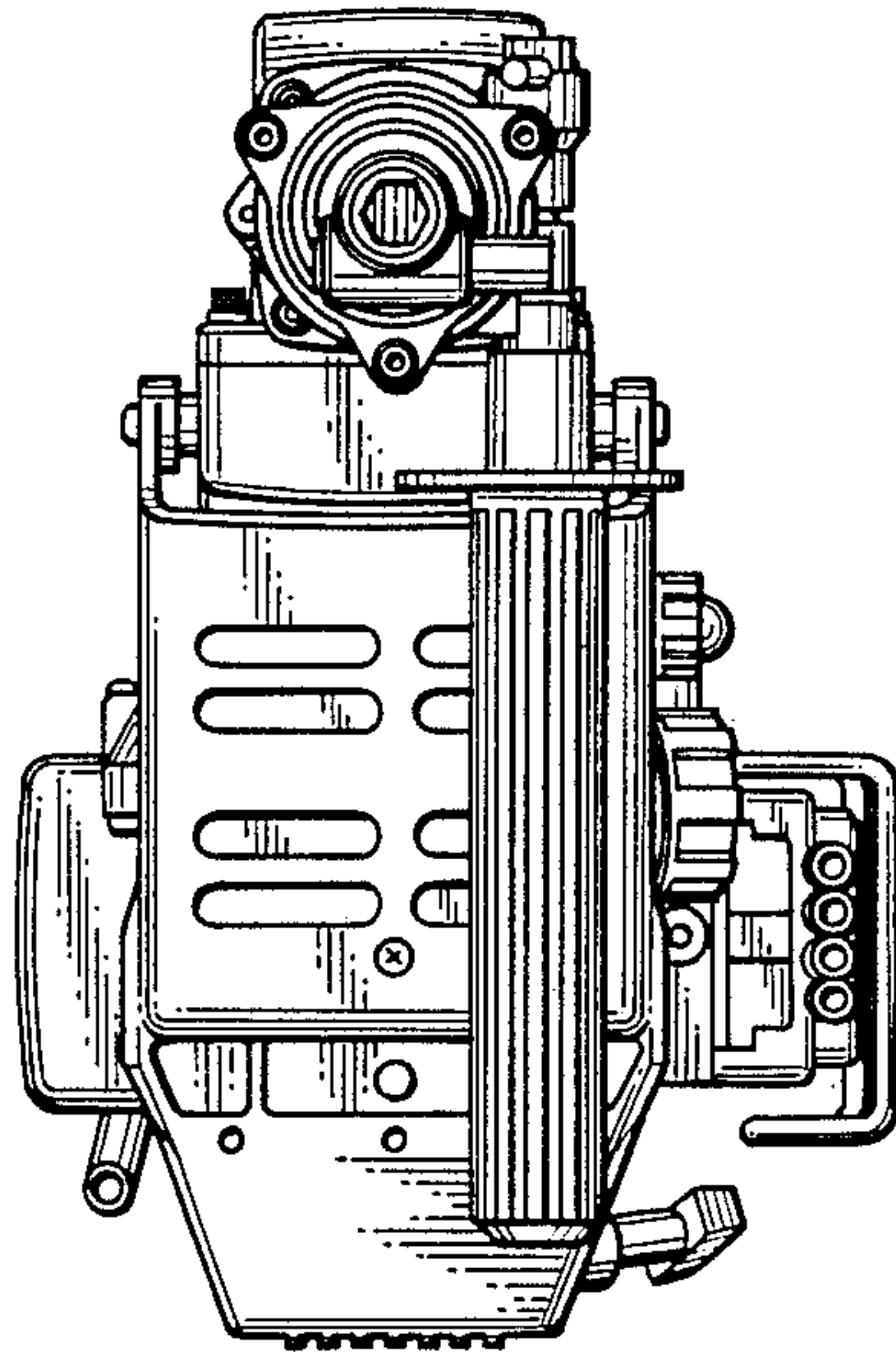


Fig. 7

