

[54] **SLICING MACHINE**

[75] **Inventor: Günther Storsberg, Solingen, Fed. Rep. of Germany**

[73] **Assignee: Robert Krups Stiftung & Co. KG., Solingen, Fed. Rep. of Germany**

[\*\*] **Term: 14 Years**

[21] **Appl. No.: 40,325**

[22] **Filed: Apr. 20, 1987**

[30] **Foreign Application Priority Data**

Oct. 22, 1986 [DE] Fed. Rep. of Germany ... 5 MR 9710

[52] **U.S. Cl. .... D7/383**

[58] **Field of Search ..... D7/381, 383, 385, 386, D7/382**

[56] **References Cited**

**U.S. PATENT DOCUMENTS**

D. 262,860 2/1982 Loiseau ..... D7/383

D. 263,712 4/1982 Rixen ..... D7/383  
D. 264,720 6/1982 Fuse ..... D7/383  
D. 283,971 5/1986 Friz ..... D7/383

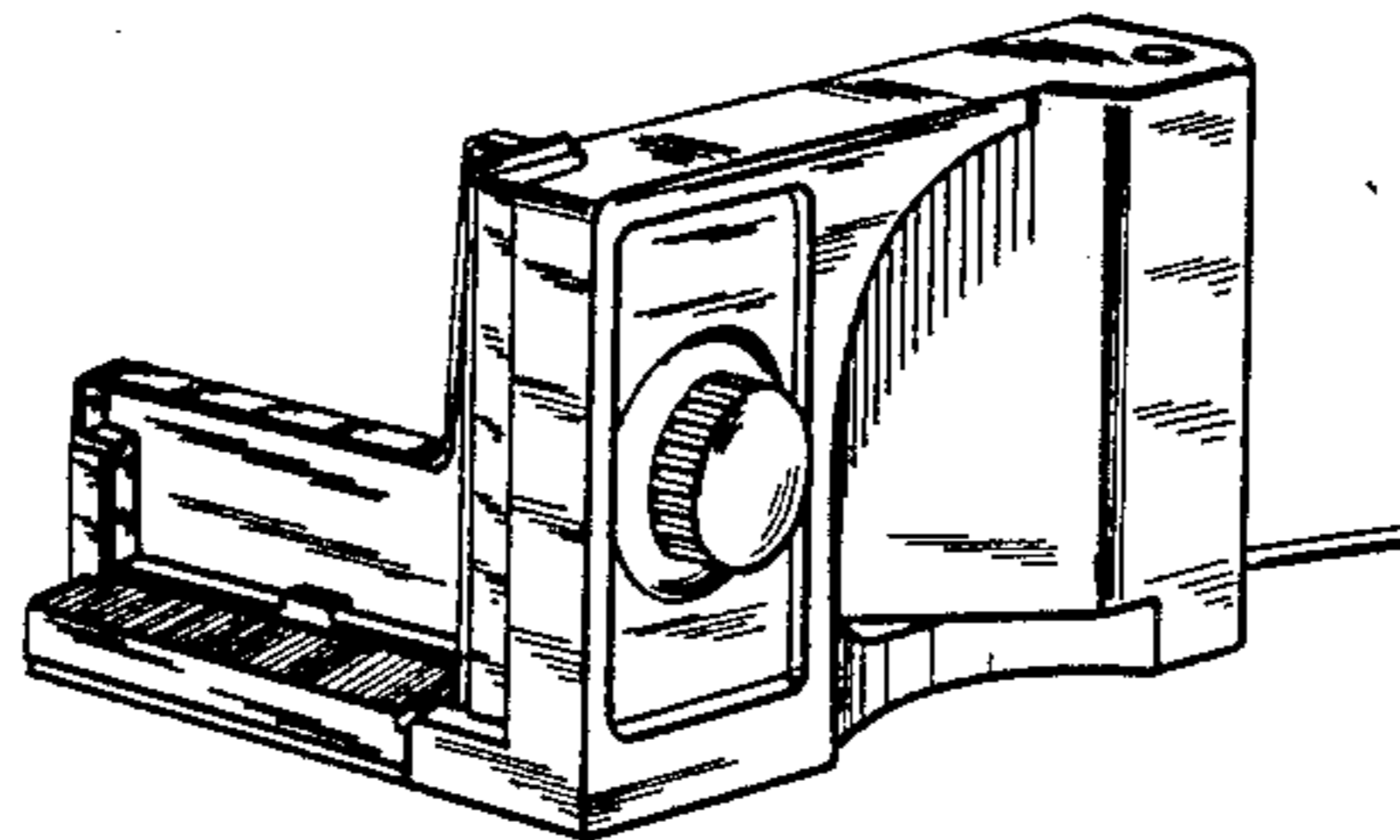
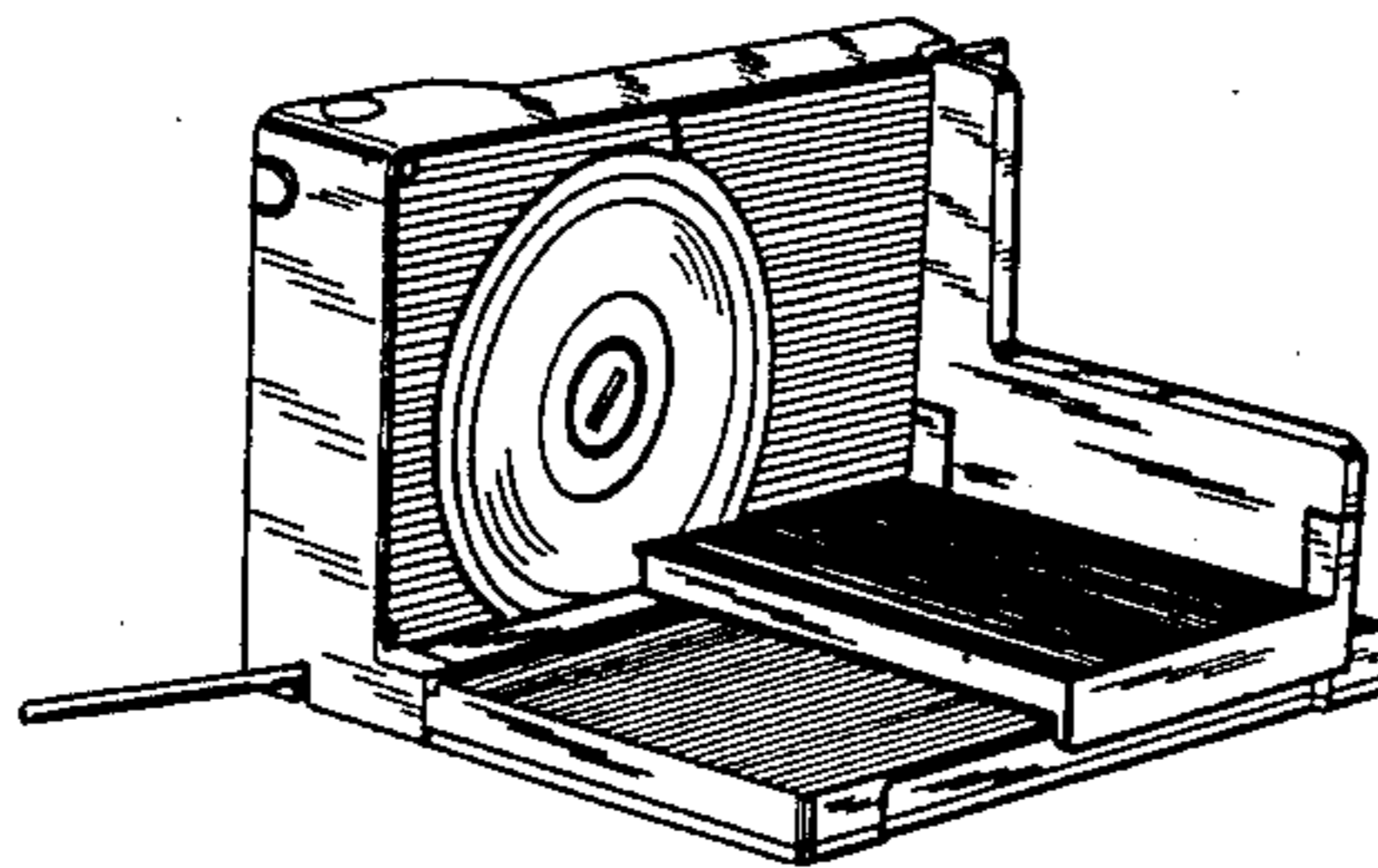
*Primary Examiner—Winifred E. Herrmann  
Attorney, Agent, or Firm—Peter K. Kontler*

[57] **CLAIM**

The ornamental design for a slicing machine, as shown and described.

**DESCRIPTION**

FIG. 1 is a front elevational view of a slicing machine embodying my new design;  
FIG. 2 is a top plan view thereof;  
FIG. 3 is a left side elevational view thereof;  
FIG. 4 is a bottom plan view thereof;  
FIG. 5 is a rear elevational view thereof;  
FIG. 6 is a right side elevational view thereof;  
FIG. 7 is a top, front, and left side perspective view thereof; and  
FIG. 8 is a top, rear, and right side perspective view thereof.



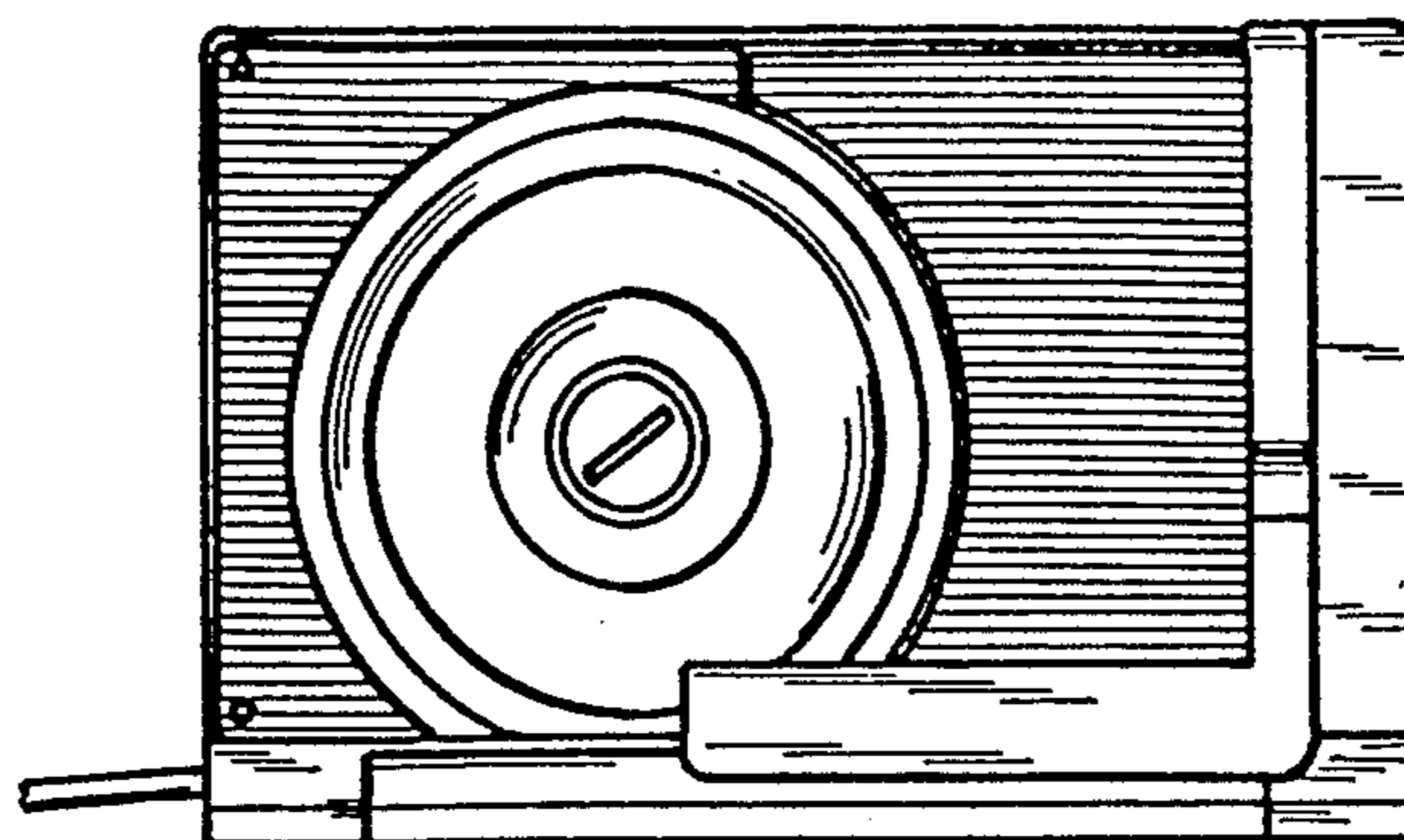


FIG. 1

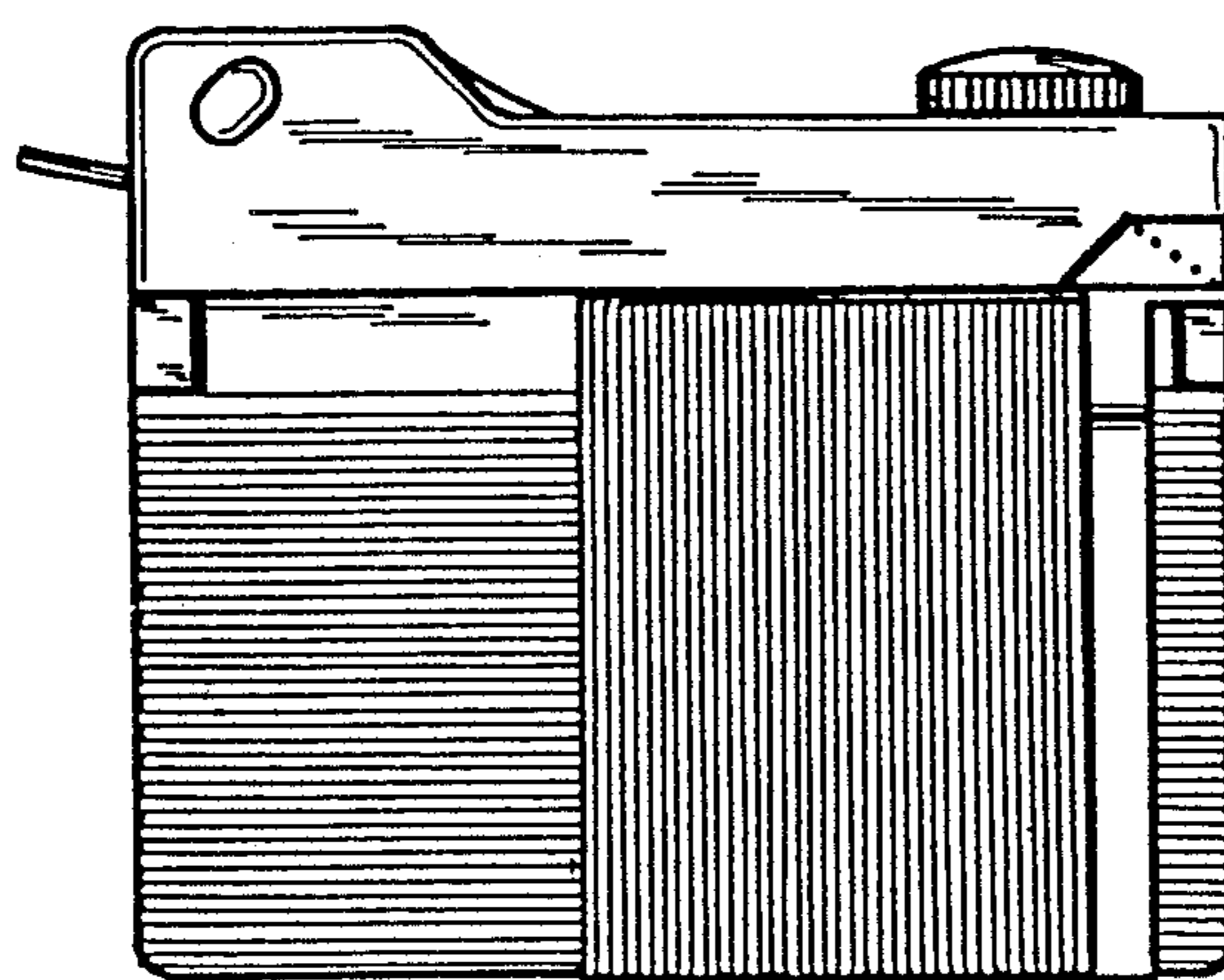


FIG. 2

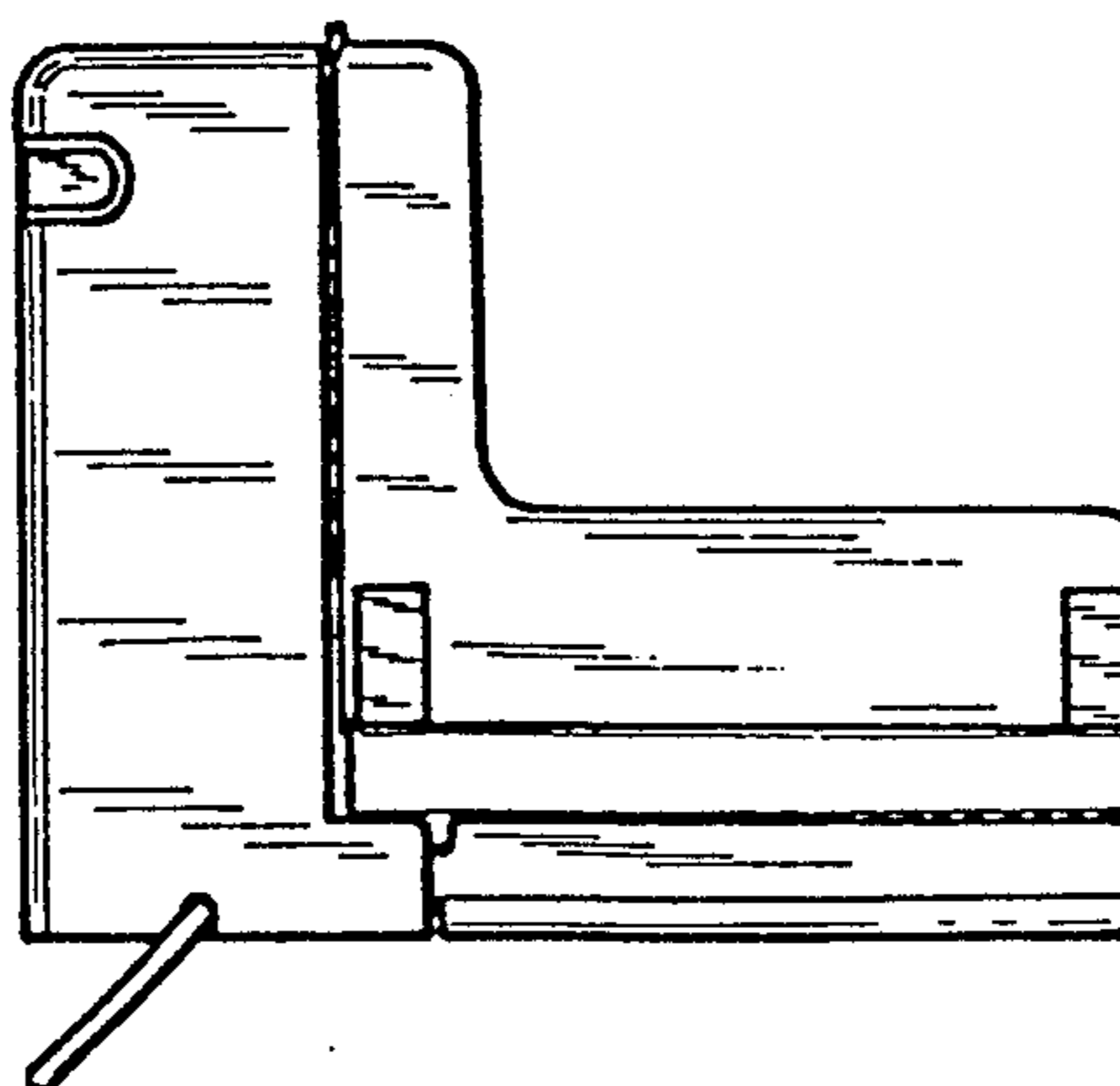


FIG. 3

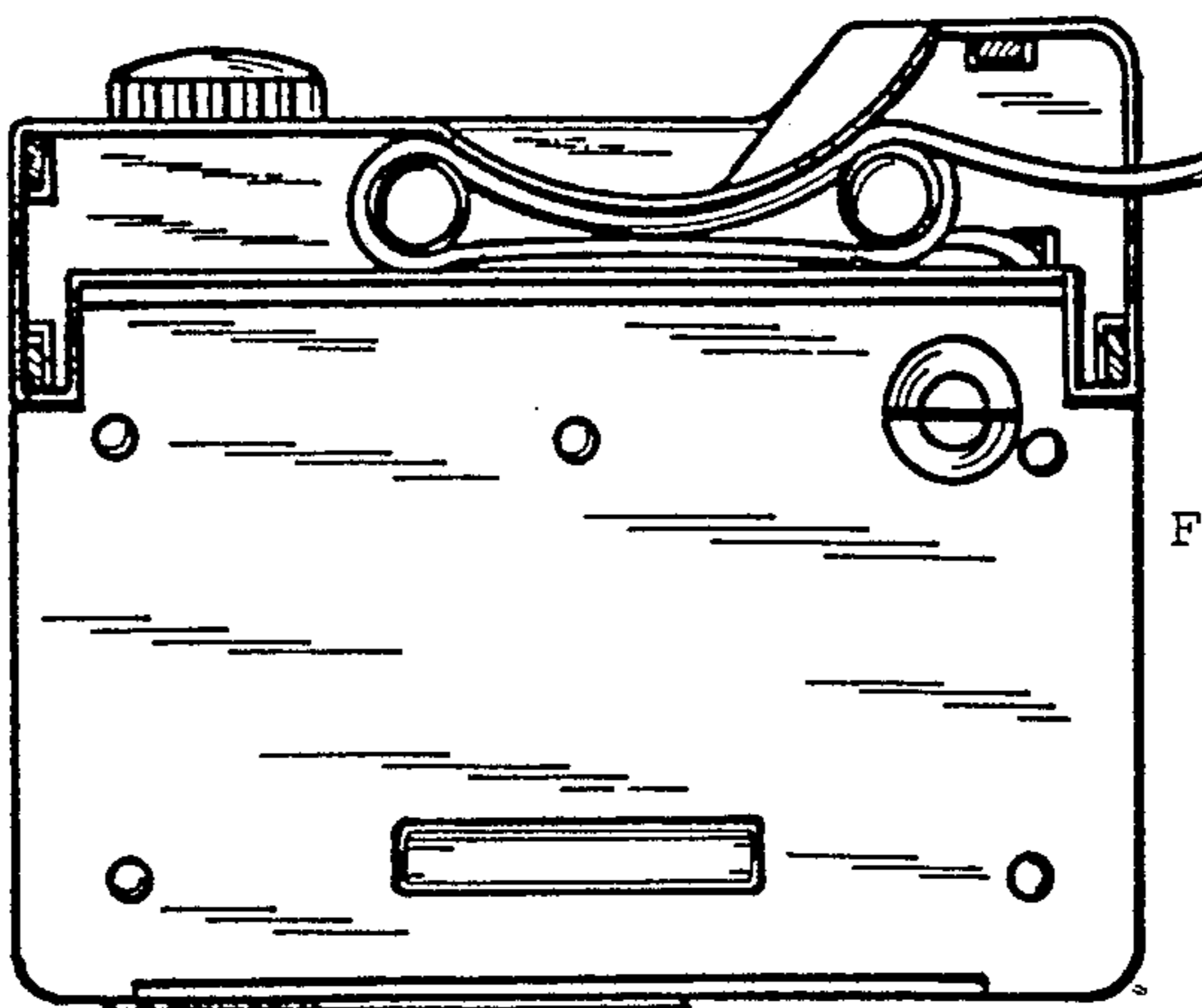


FIG. 4

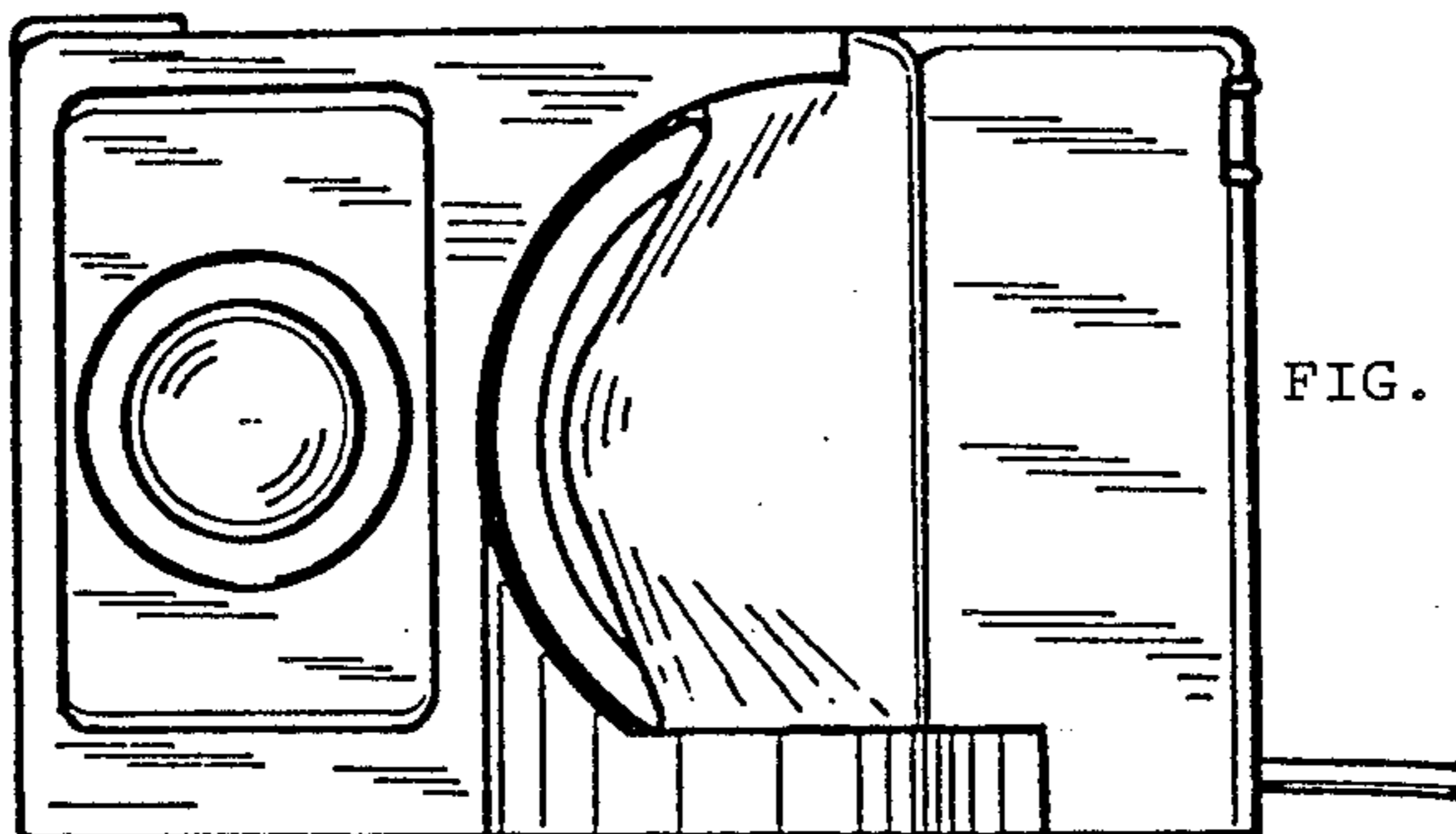


FIG. 5

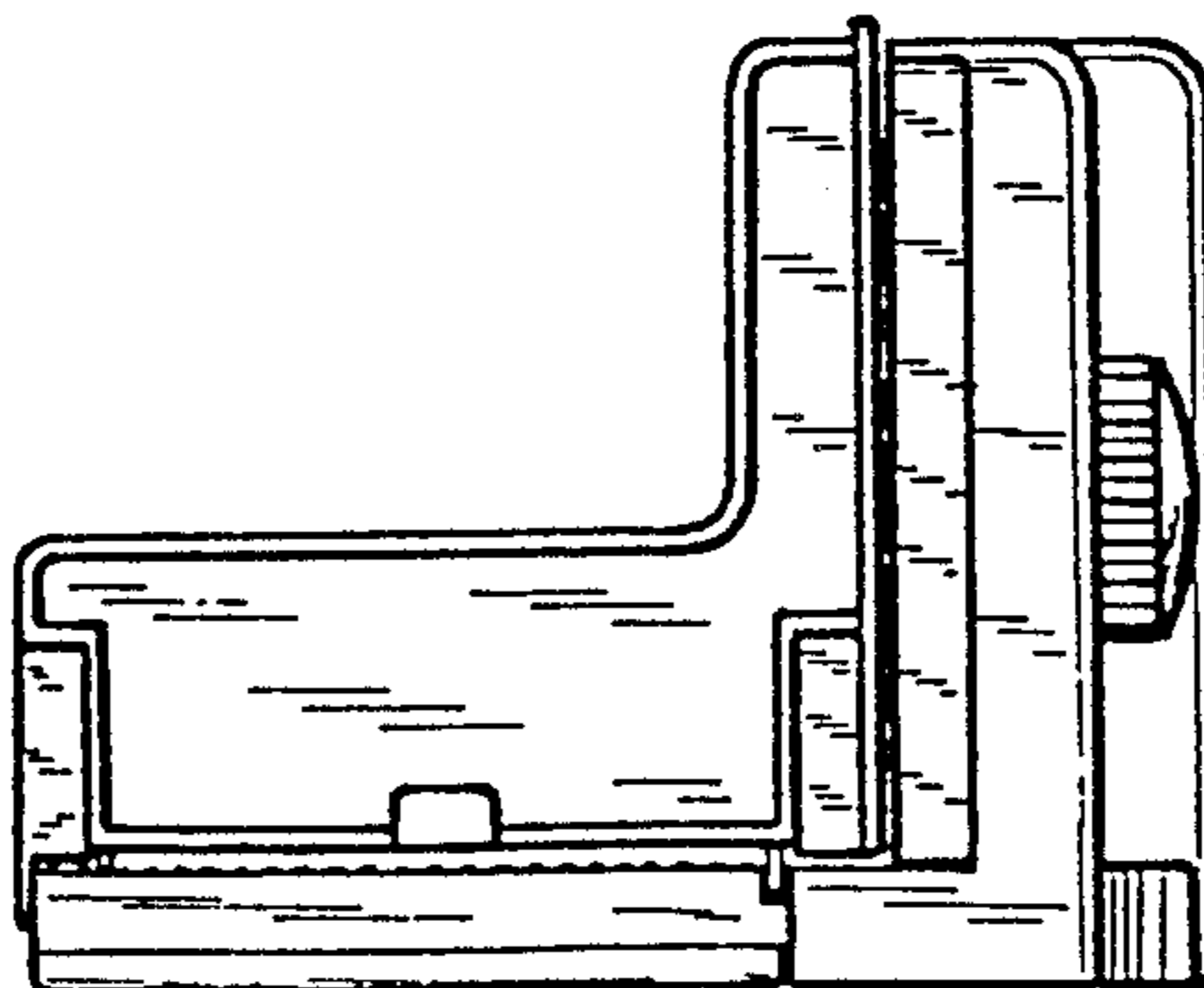


FIG. 6

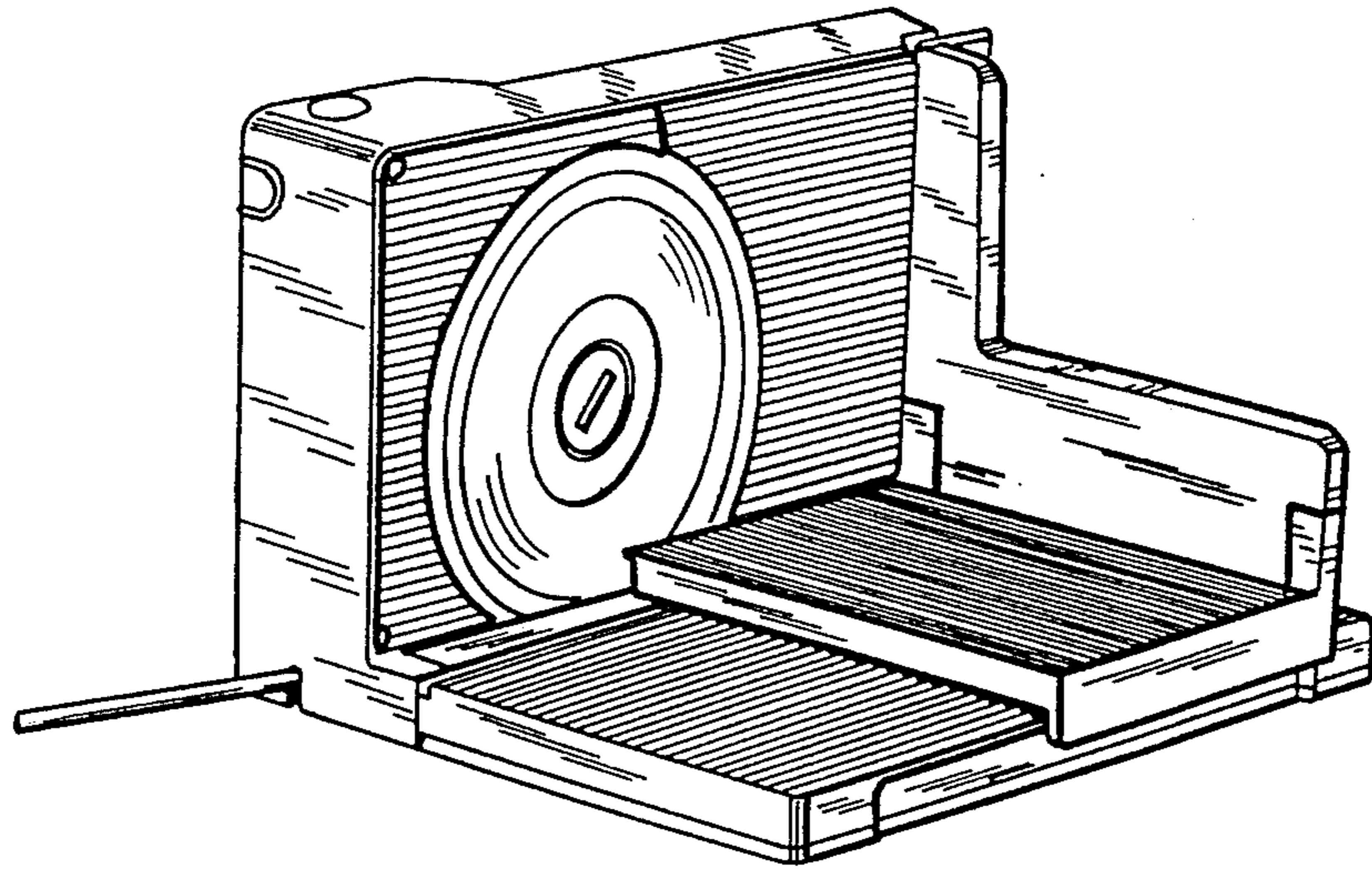


FIG. 7

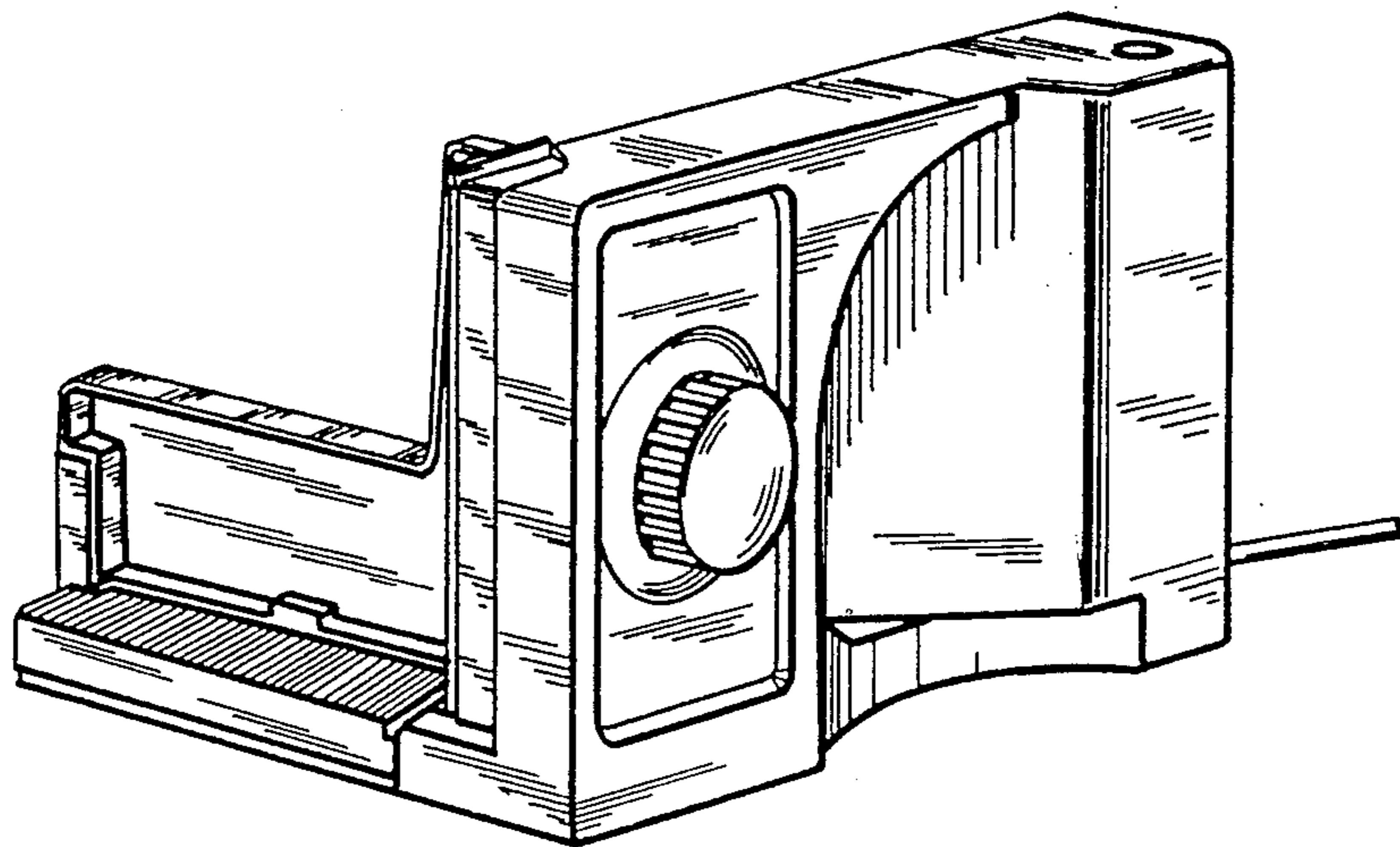


FIG. 8