

[54] **COUNTERTOP BREAD SLICER**

[75] Inventors: **Gary L. Kruse**, Spring Lake; **Bernard L. Petersen**, Grand Rapids, both of Mich.

[73] Assignee: **Oliver Products Company**, Grand Rapids, Mich.

[**] Term: **14 Years**

[21] Appl. No.: **146,789**

[22] Filed: **Jan. 22, 1988**

[52] U.S. Cl. **D7/381**

[58] Field of Search 83/761, 407; D7/381, D7/385; D18/36, 37, 38, 39

D. 234,821 4/1975 Sakamoto D18/36
 D. 235,221 5/1975 Cormier D18/37
 2,638,950 5/1953 Menssen 83/720
 4,662,257 5/1987 Petersen et al. 83/407

Primary Examiner—Bruce W. Dunkins
Assistant Examiner—Janice Seeger
Attorney, Agent, or Firm—Price, Heneveld, Cooper, DeWitt & Litton

[57] **CLAIM**

The ornamental design for countertop bread slicer, as shown and described.

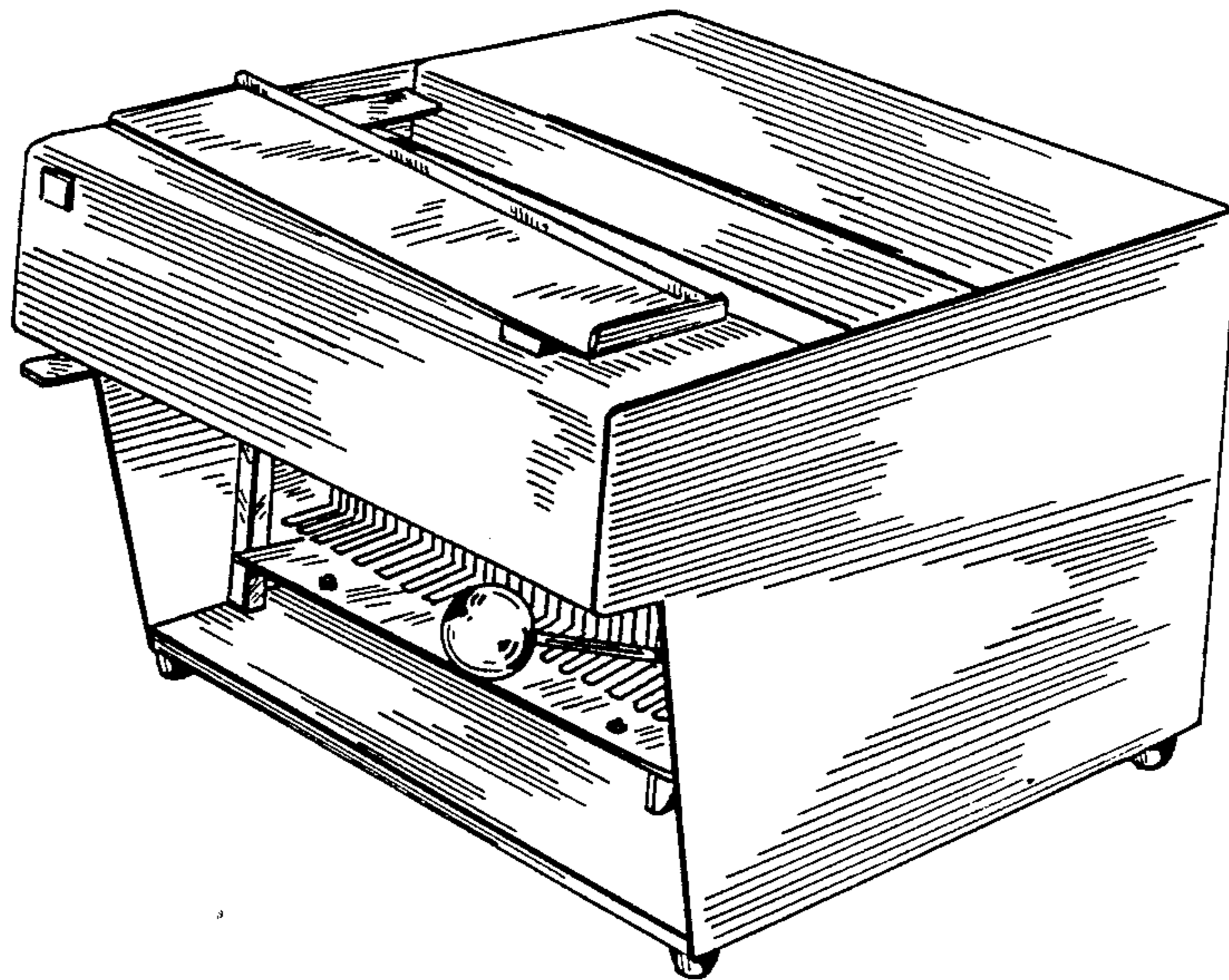
DESCRIPTION

FIG. 1 is a perspective view of a countertop bread slicer showing our new design;
 FIG. 2 is a front elevational view thereof;
 FIG. 3 is a rear elevational view thereof;
 FIG. 4 is a top plan view thereof;
 FIG. 5 is a left side elevational view thereof; and
 FIG. 6 is a right side elevational view thereof.

[56] **References Cited**

U.S. PATENT DOCUMENTS

D. 110,920 8/1938 Debus D7/385
 D. 203,554 1/1966 Jacoby D7/381
 D. 224,664 8/1972 Peynet D18/36



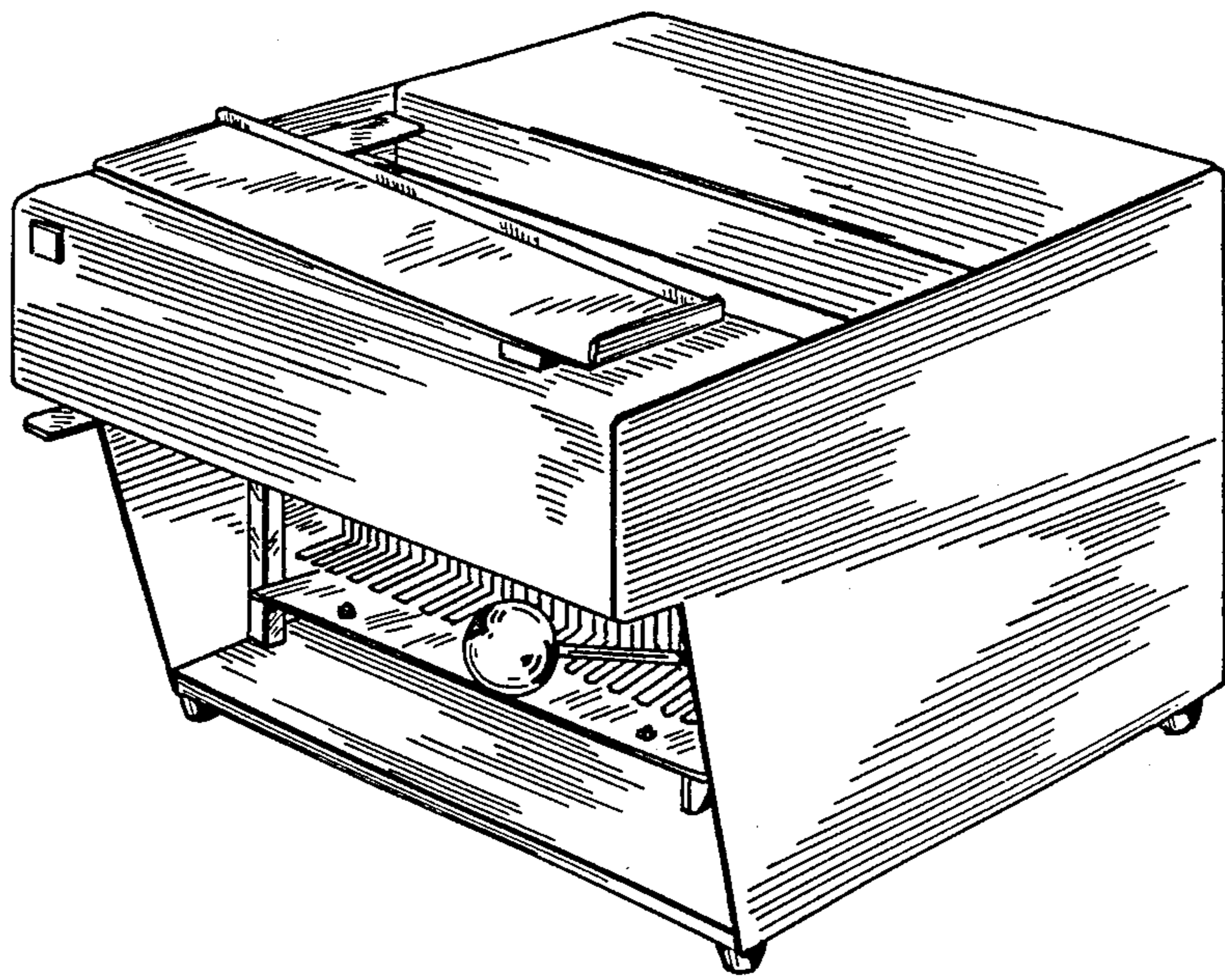


FIG. 1

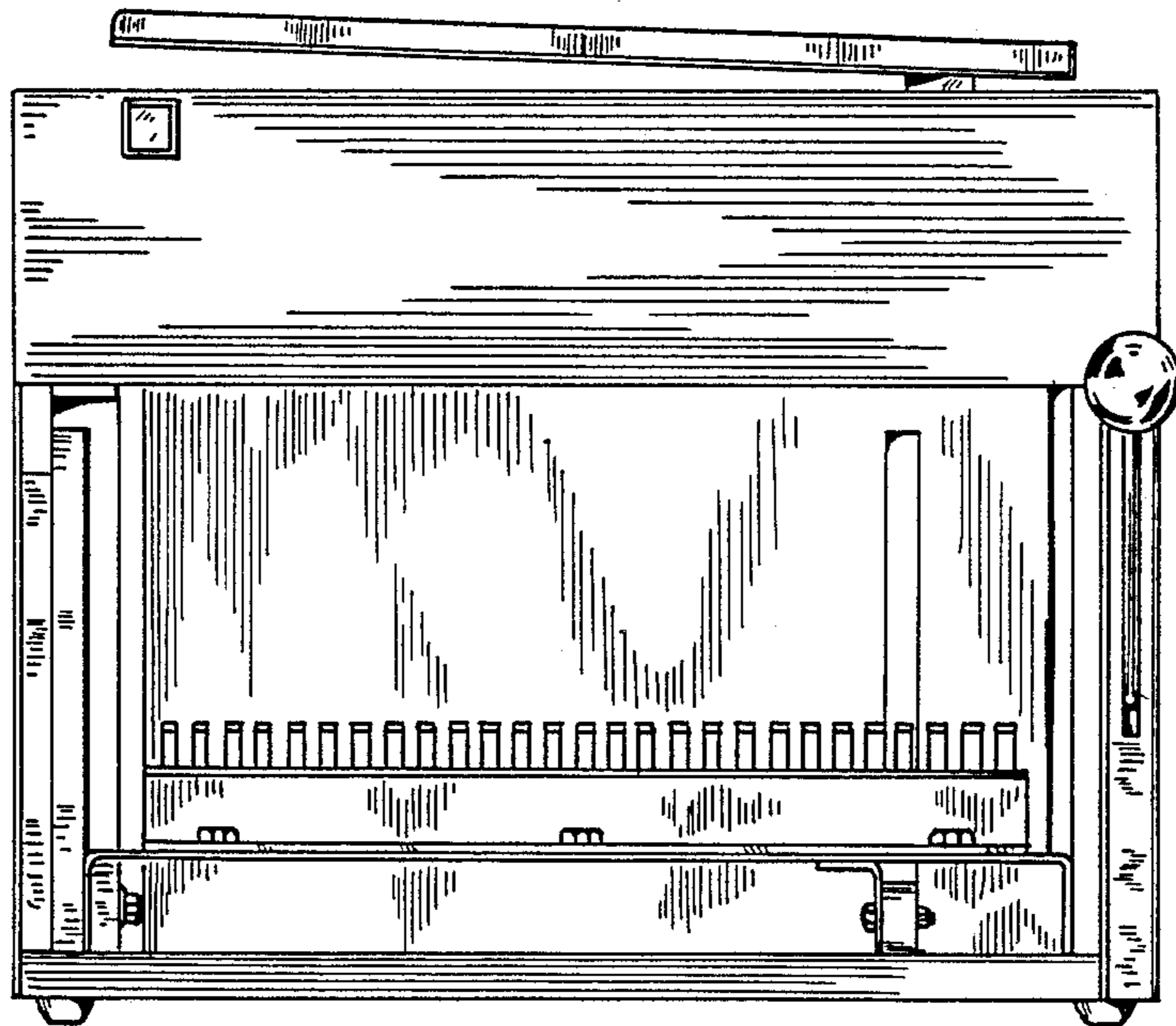


FIG. 2

FIG. 3

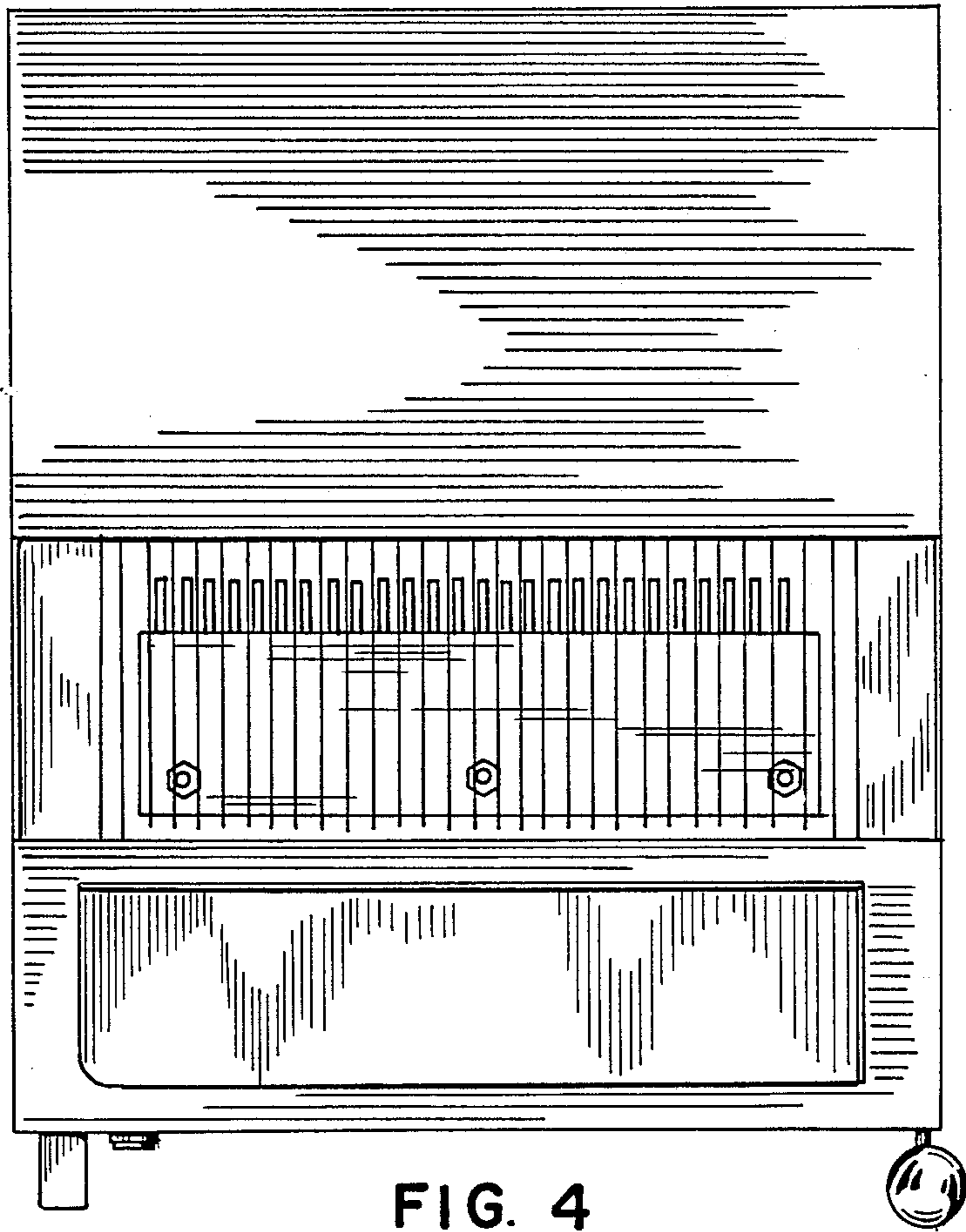
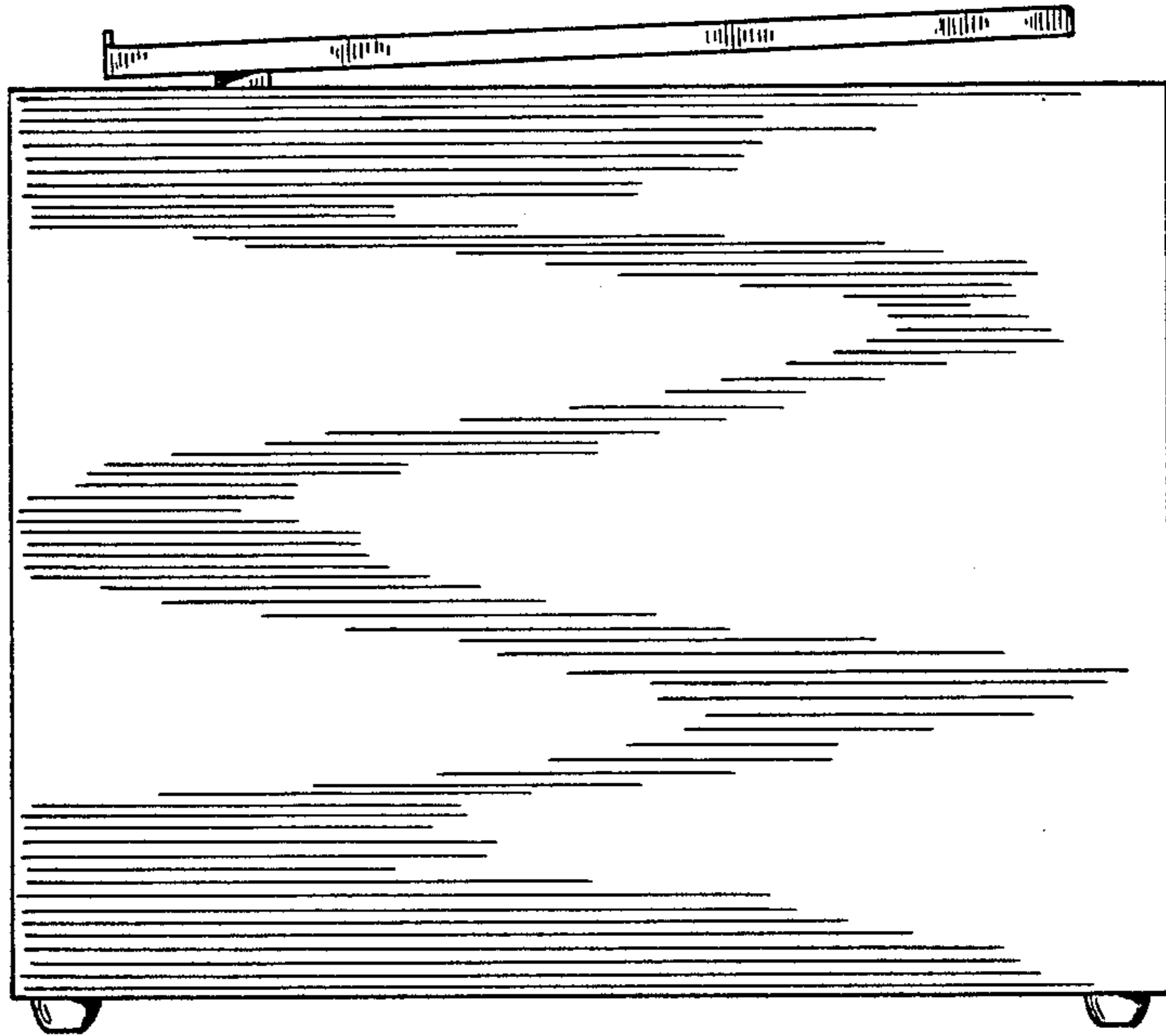


FIG. 4

FIG. 5

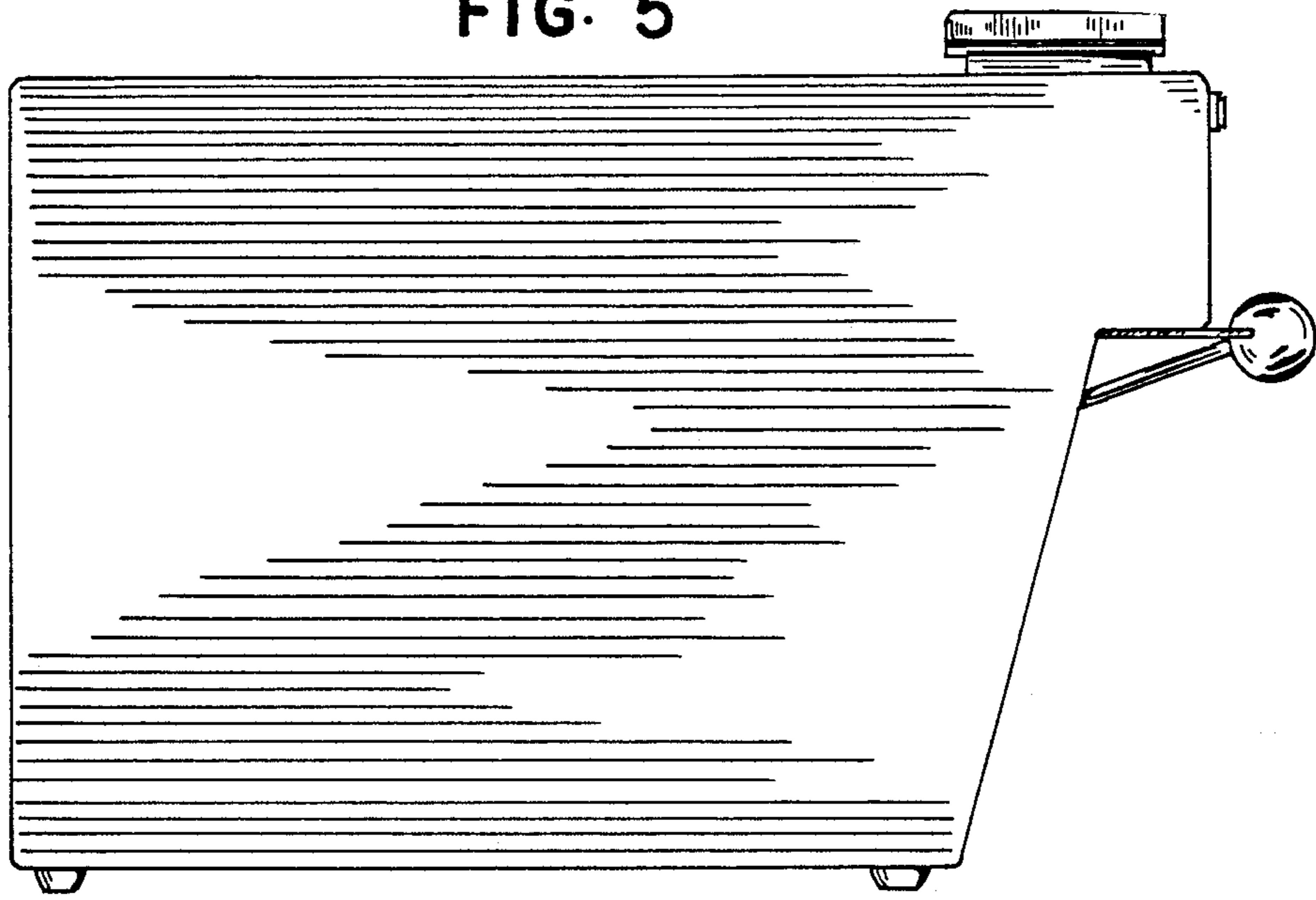


FIG. 6

