

[54] STORAGE RACK FOR CLEANING SUPPLIES

[75] Inventor: Kent W. Murphy, Wooster, Ohio

[73] Assignee: Rubbermaid Incorporated, Wooster, Ohio

[**] Term: 14 Years

[21] Appl. No.: 263,331

[22] Filed: Oct. 27, 1988

[52] U.S. Cl. D6/574

[58] Field of Search D6/512, 553, 567, 574; 211/13, 44, 49.1, 60.1, 65, 70.6, 71, 74-75, 86-88, 90, 126, 134

[56] References Cited

U.S. PATENT DOCUMENTS

- D. 219,152 11/1970 Wooters .
- D. 232,992 10/1974 Molzen .
- D. 277,819 3/1985 Crosslen D6/574 X
- D. 278,874 5/1985 Thorneburg et al. D6/553 X

D. 296,965 8/1988 Yeh D6/573
3,174,627 3/1965 Marschak 211/90

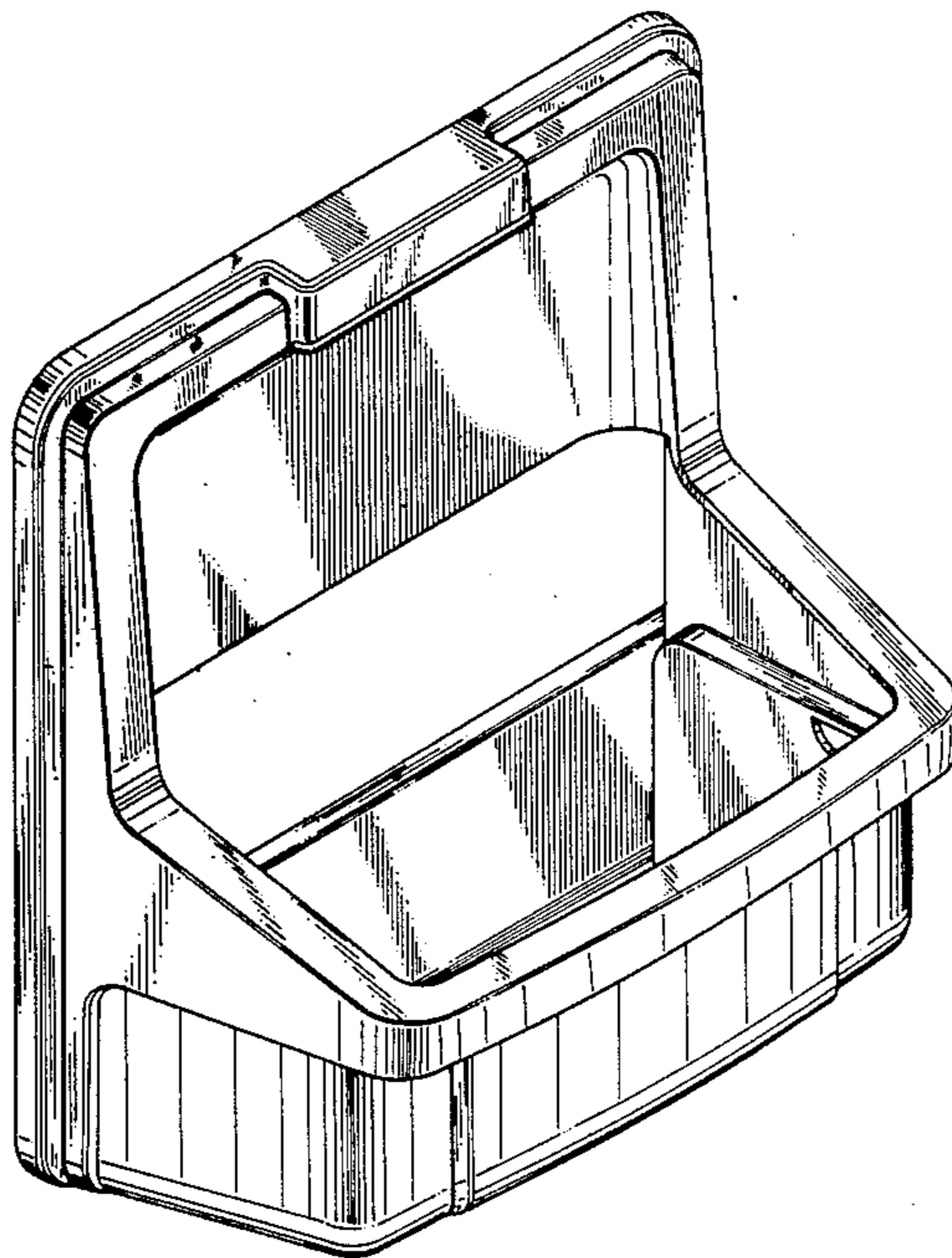
Primary Examiner—Wallace R. Burke
Assistant Examiner—Brian N. Vinson
Attorney, Agent, or Firm—Richard B. O’Planick

[57] CLAIM

The ornamental design for a storage rack for cleaning supplies, as shown and described.

DESCRIPTION

FIG. 1 is a top, front, and left side perspective view of a storage rack for cleaning supplies showing my new design;
FIG. 2 is a top plan view thereof;
FIG. 3 is a bottom plan view thereof;
FIG. 4 is a front elevational view thereof;
FIG. 5 is a rear elevational view thereof;
FIG. 6 is a right side elevational view thereof, the left side being a mirror image of that shown; and
FIG. 7 is a vertical cross-sectional view thereof, taken along line 7—7 of FIG. 4.



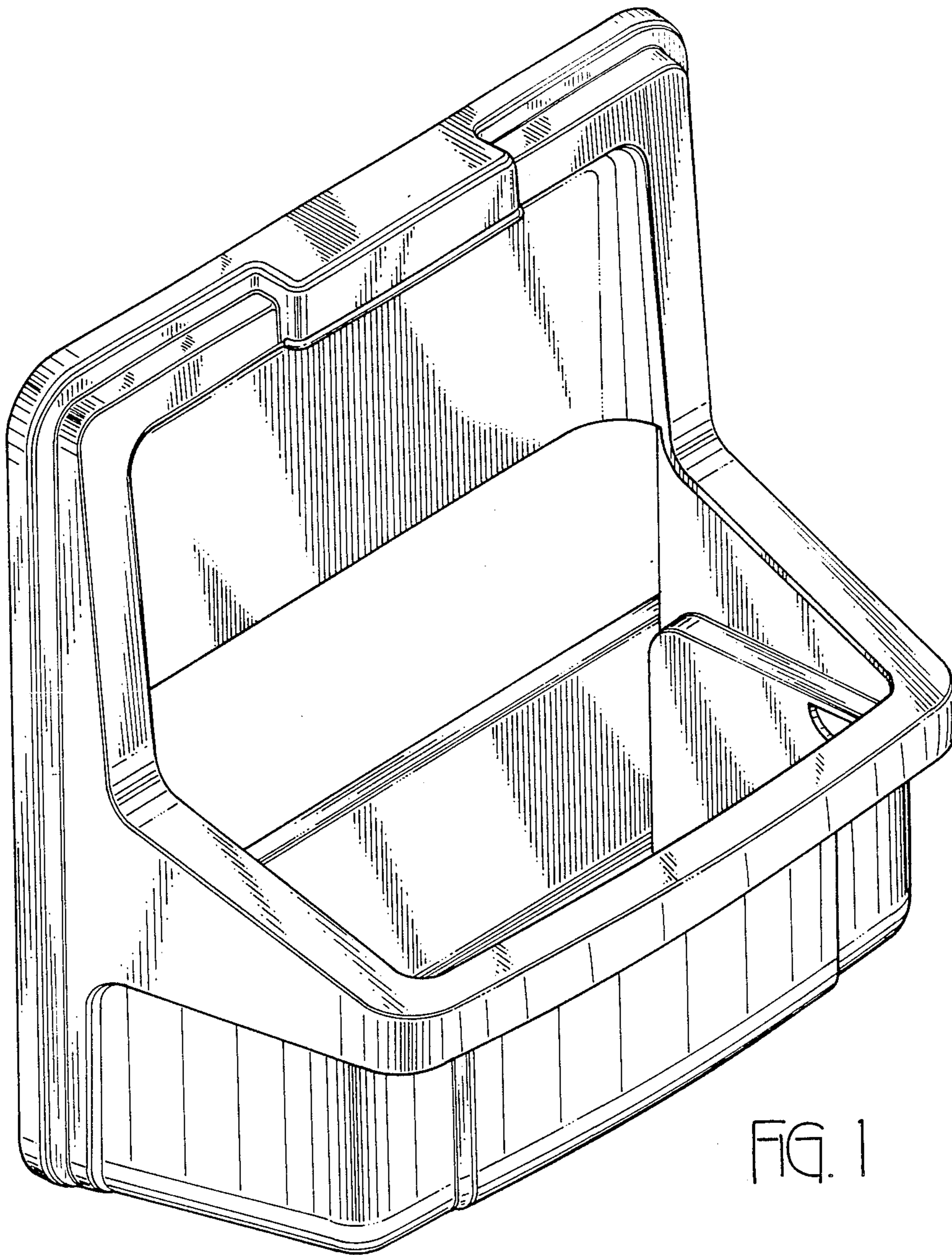


FIG. 1

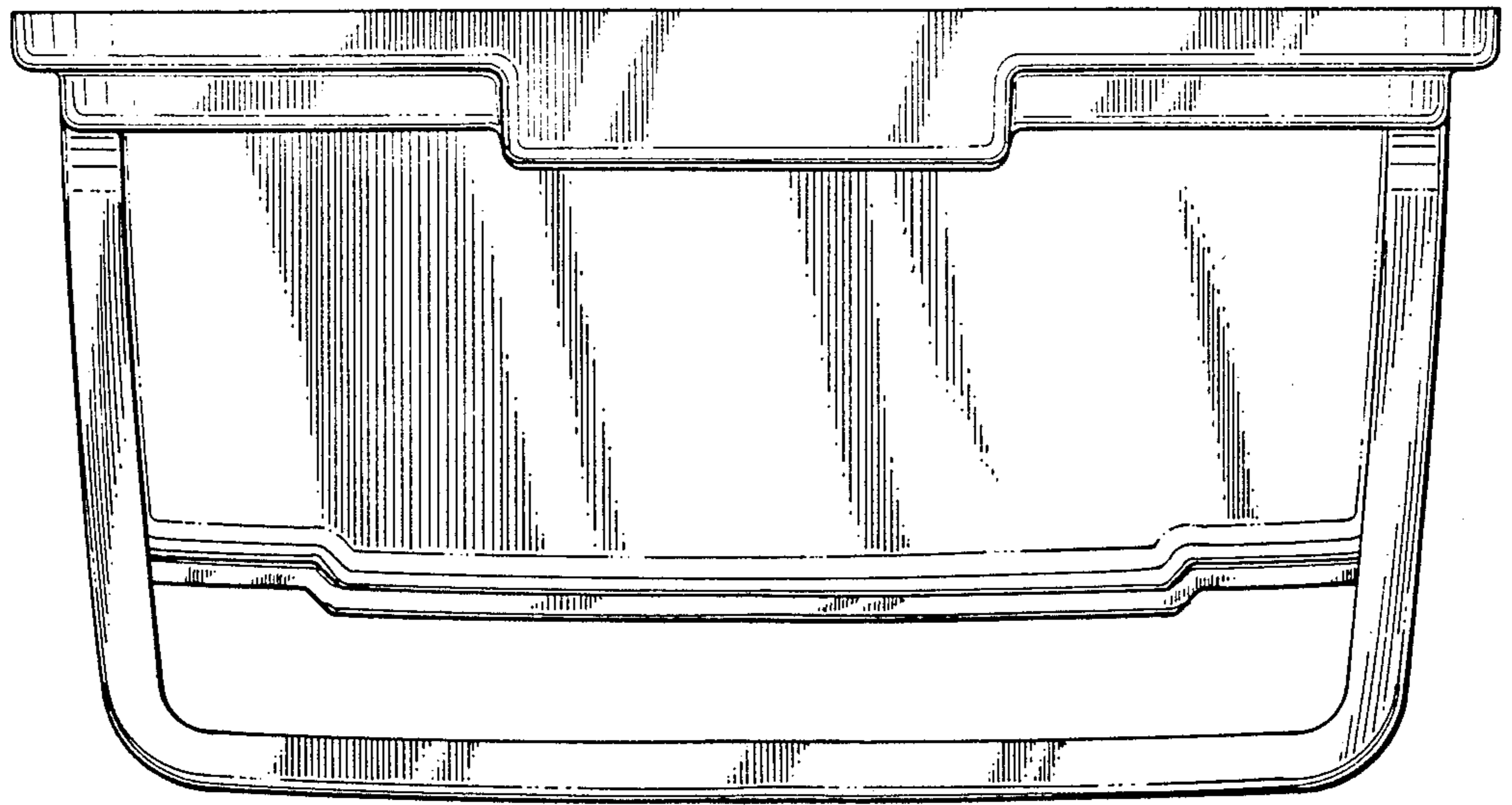


FIG. 2

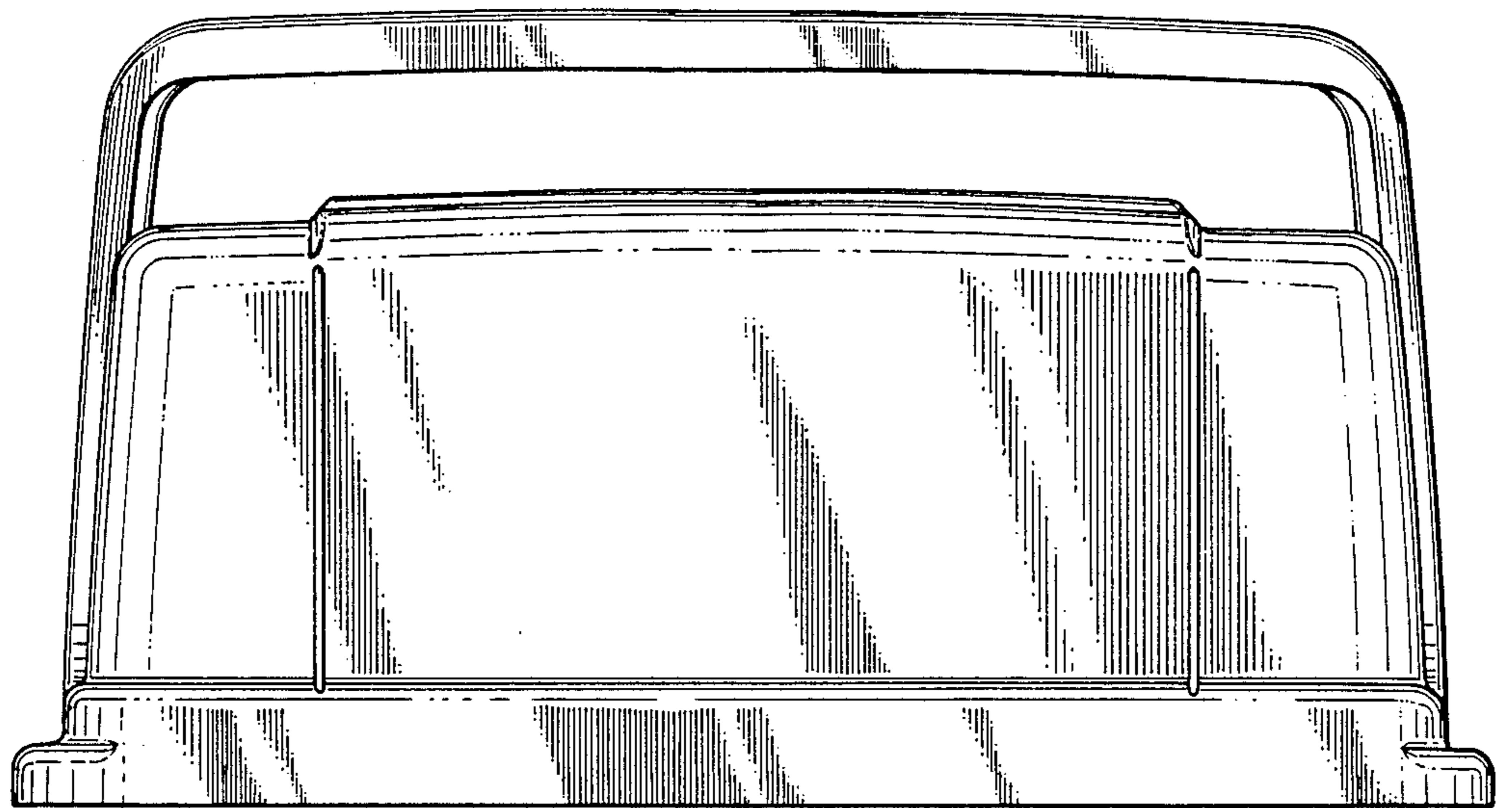


FIG. 3

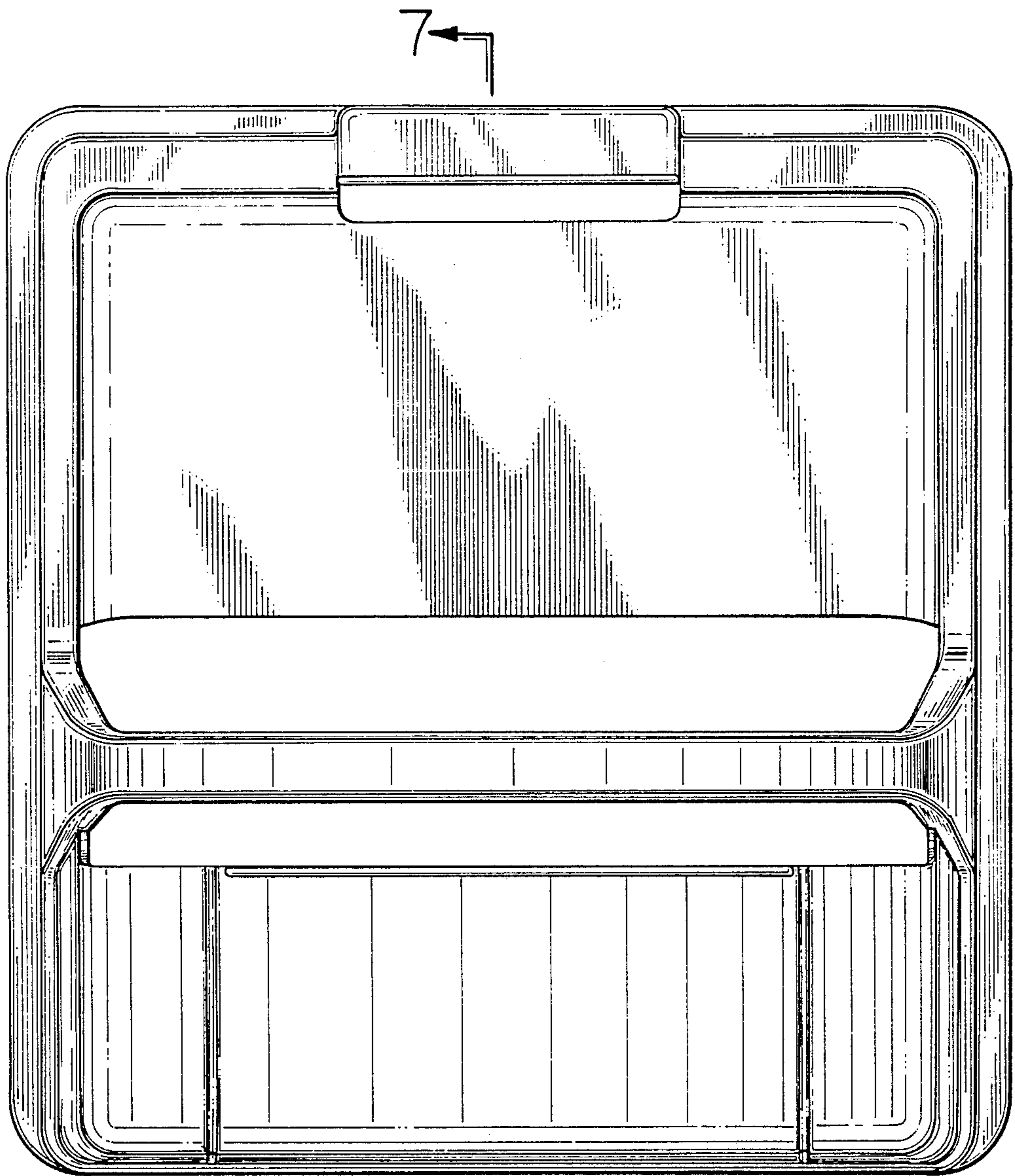


FIG. 4

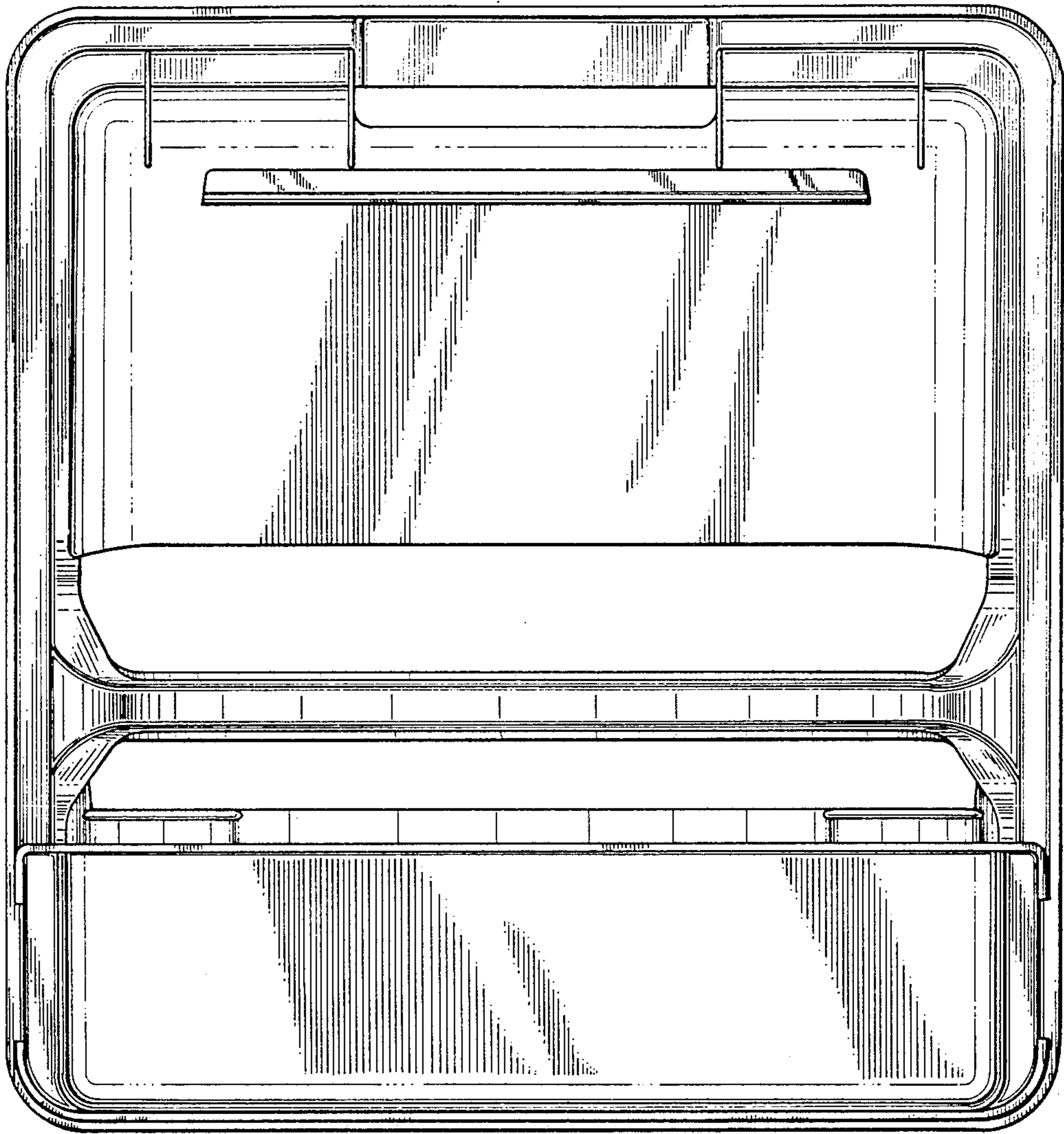


FIG. 5

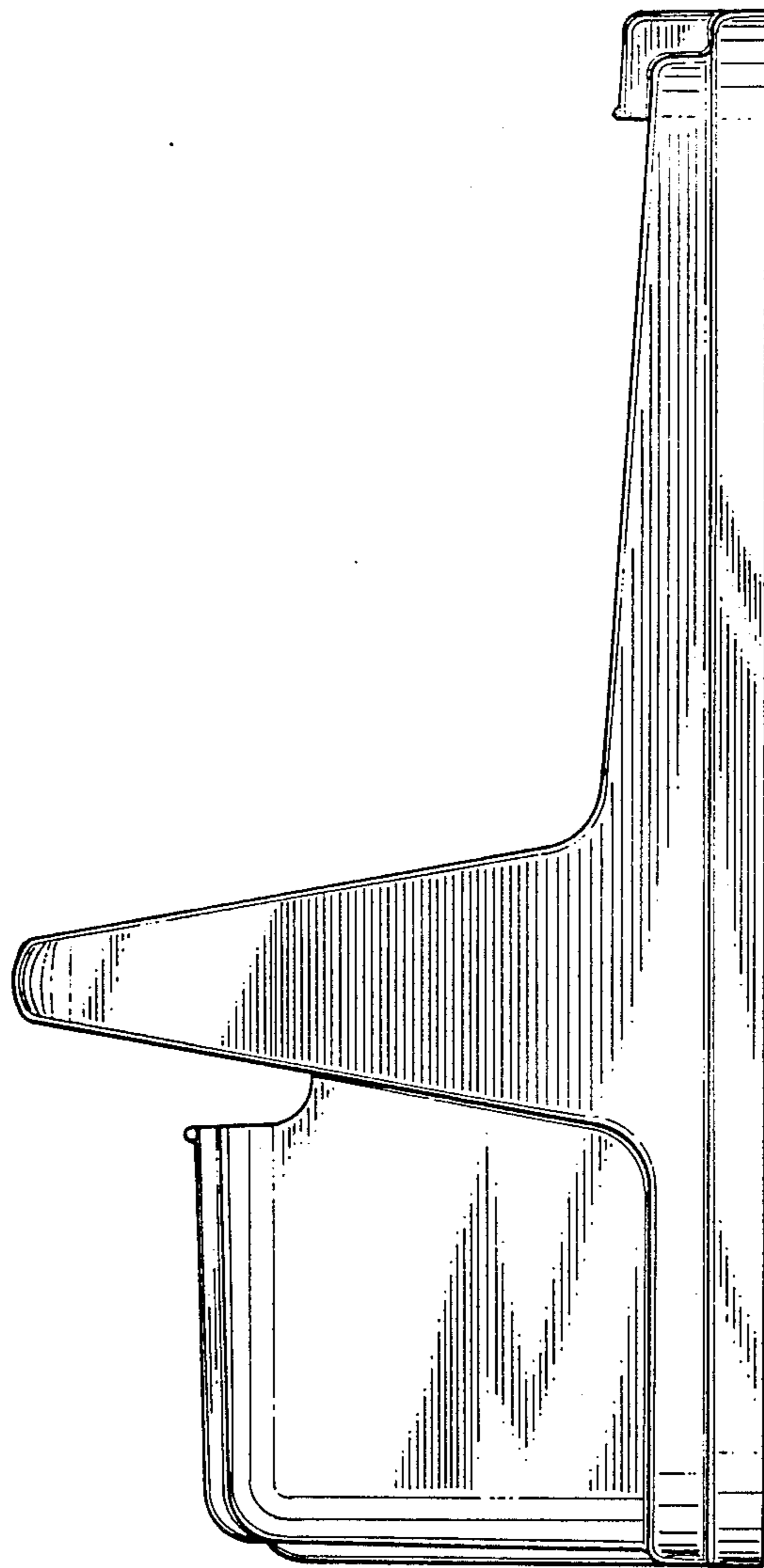


FIG. 6

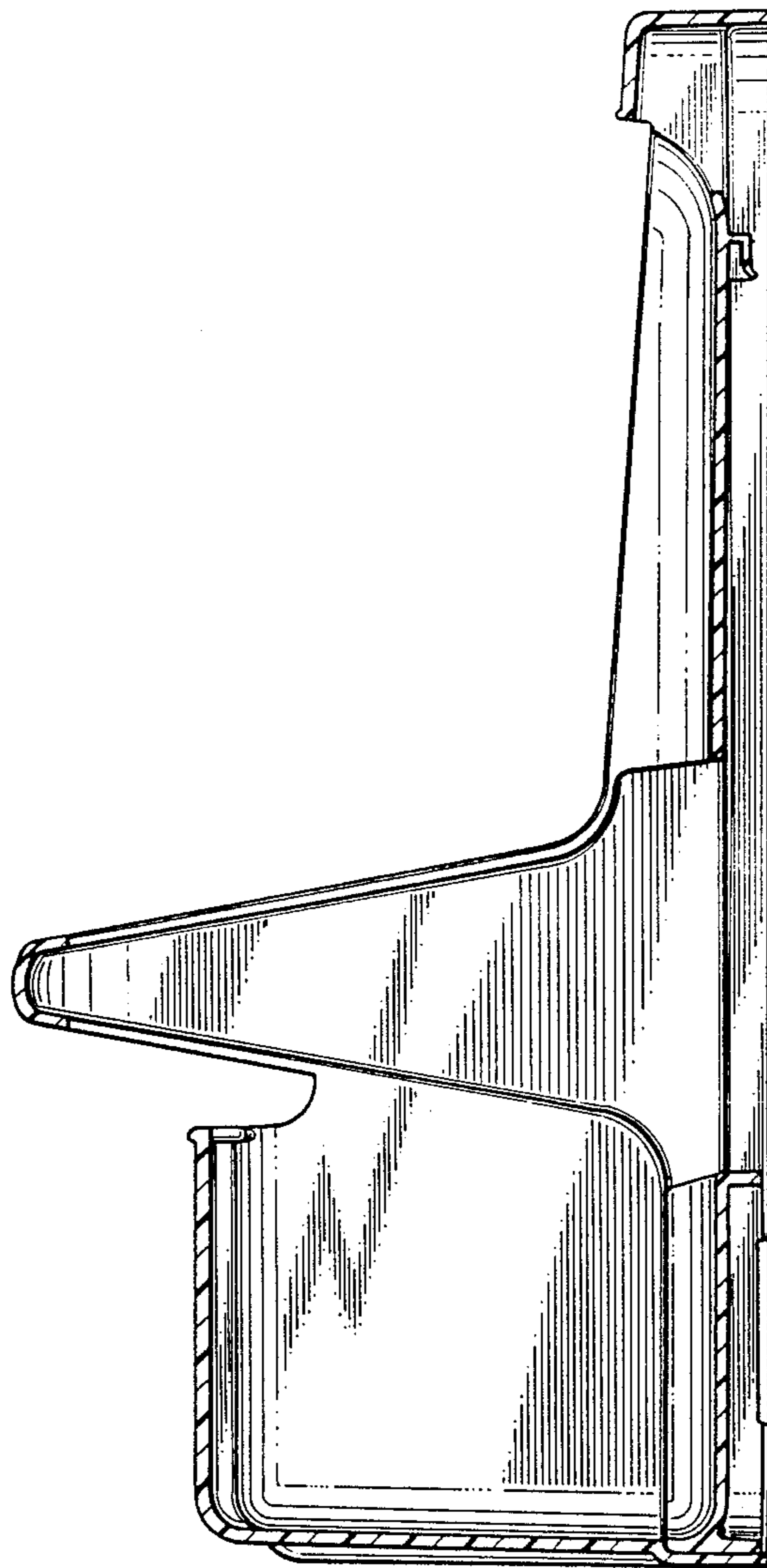


FIG. 7