

[54] **SOAP DISPENSER**

[75] **Inventor: Carl-Arne Breger, Malmö, Sweden**

[73] **Assignee: Holmens Bruk Aktiebolag,
Norrköping, Sweden**

[**] **Term: 14 Years**

[21] **Appl. No.: 247,327**

[22] **Filed: Sep. 21, 1988**

[30] **Foreign Application Priority Data**

Mar. 22, 1988 [SE] Sweden 88-0736

[52] **U.S. Cl. D6/545; D6/542**

[58] **Field of Search D6/524, 542-545;
222/105, 129, 173, 180-181, 185; 221/282-283**

[56] **References Cited**

U.S. PATENT DOCUMENTS

D. 246,338 11/1977 Jespersen D6/545

D. 271,450 11/1983 Kleman D6/542

D. 285,272 8/1986 Bunschoten et al. D6/545

D. 300,193 3/1989 Vignot D6/542

D. 302,916 8/1989 Williamson D6/542

3,459,343 8/1969 Rasmussen 222/185

4,560,093 12/1985 Cassia 222/181

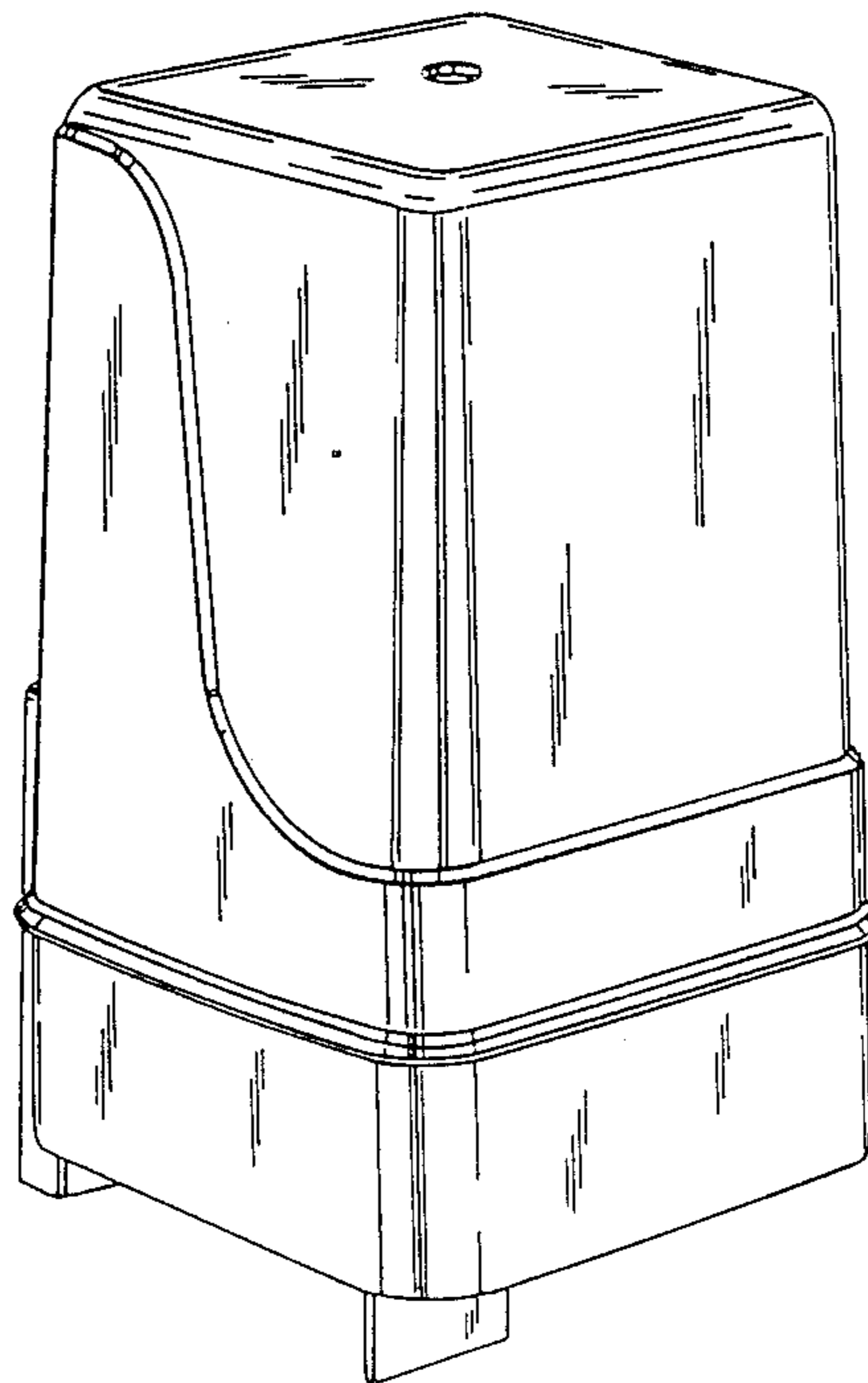
Primary Examiner—Wallace R. Burke
Assistant Examiner—Brian N. Vinson
Attorney, Agent, or Firm—Nils H. Ljungman &
Associates

[57] **CLAIM**

The ornamental design for a soap dispenser, as shown and described.

DESCRIPTION

FIG. 1 is a front and right side perspective view of a soap dispenser showing my new design;
FIG. 2 is a top front, and left side perspective view thereof; and
FIG. 3 is a bottom, rear, and right side perspective view thereof.



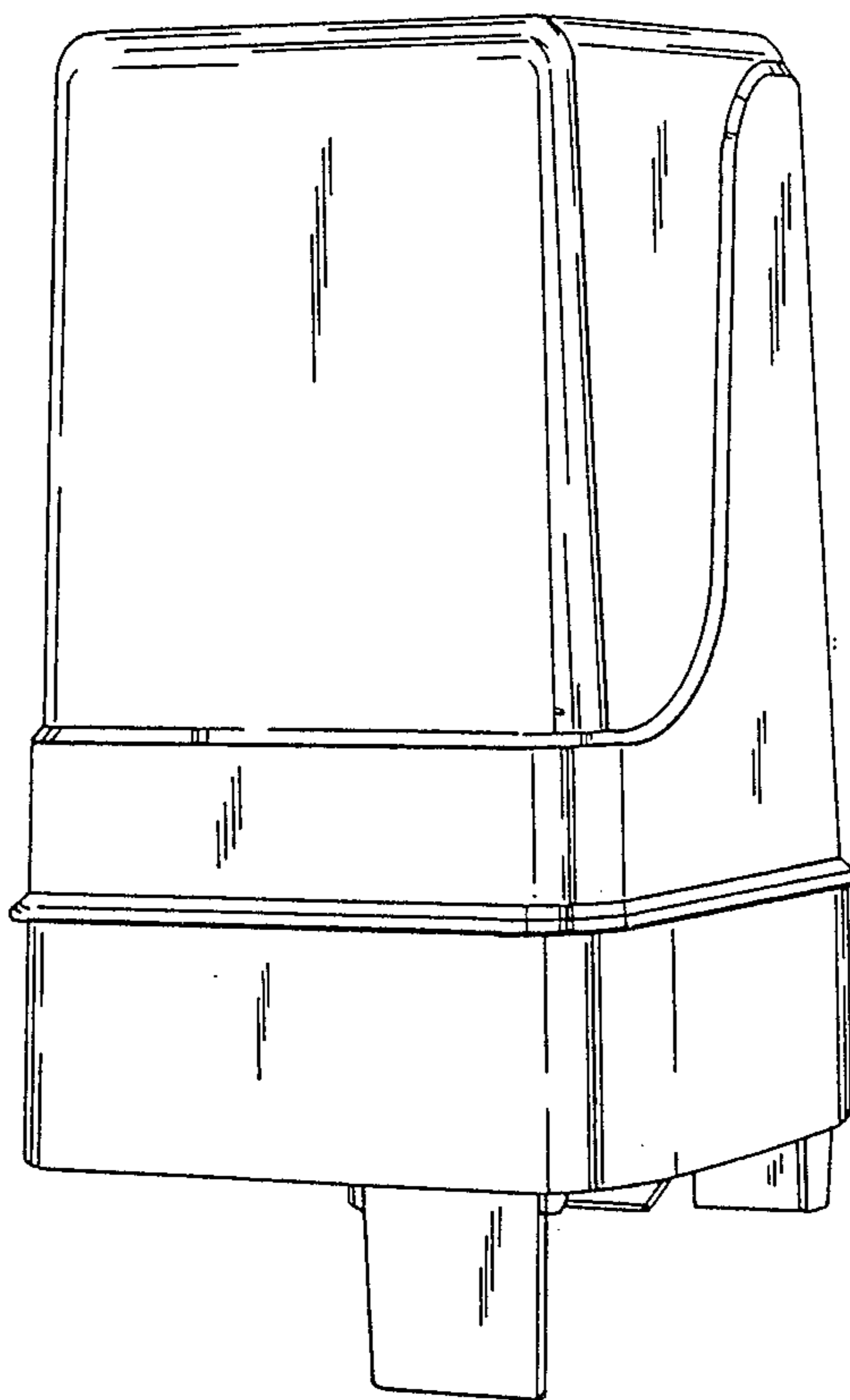


Fig. 1

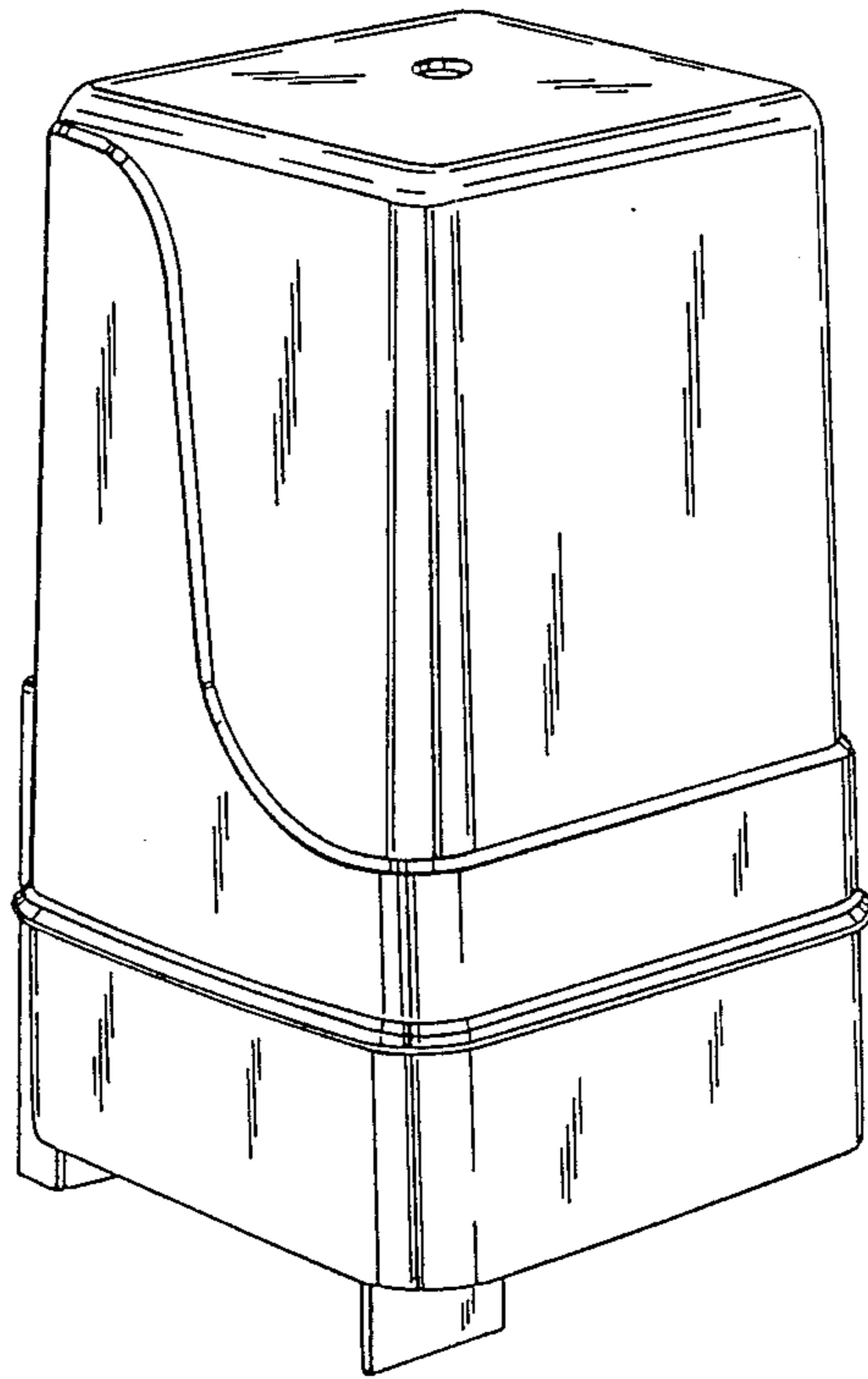


Fig. 2

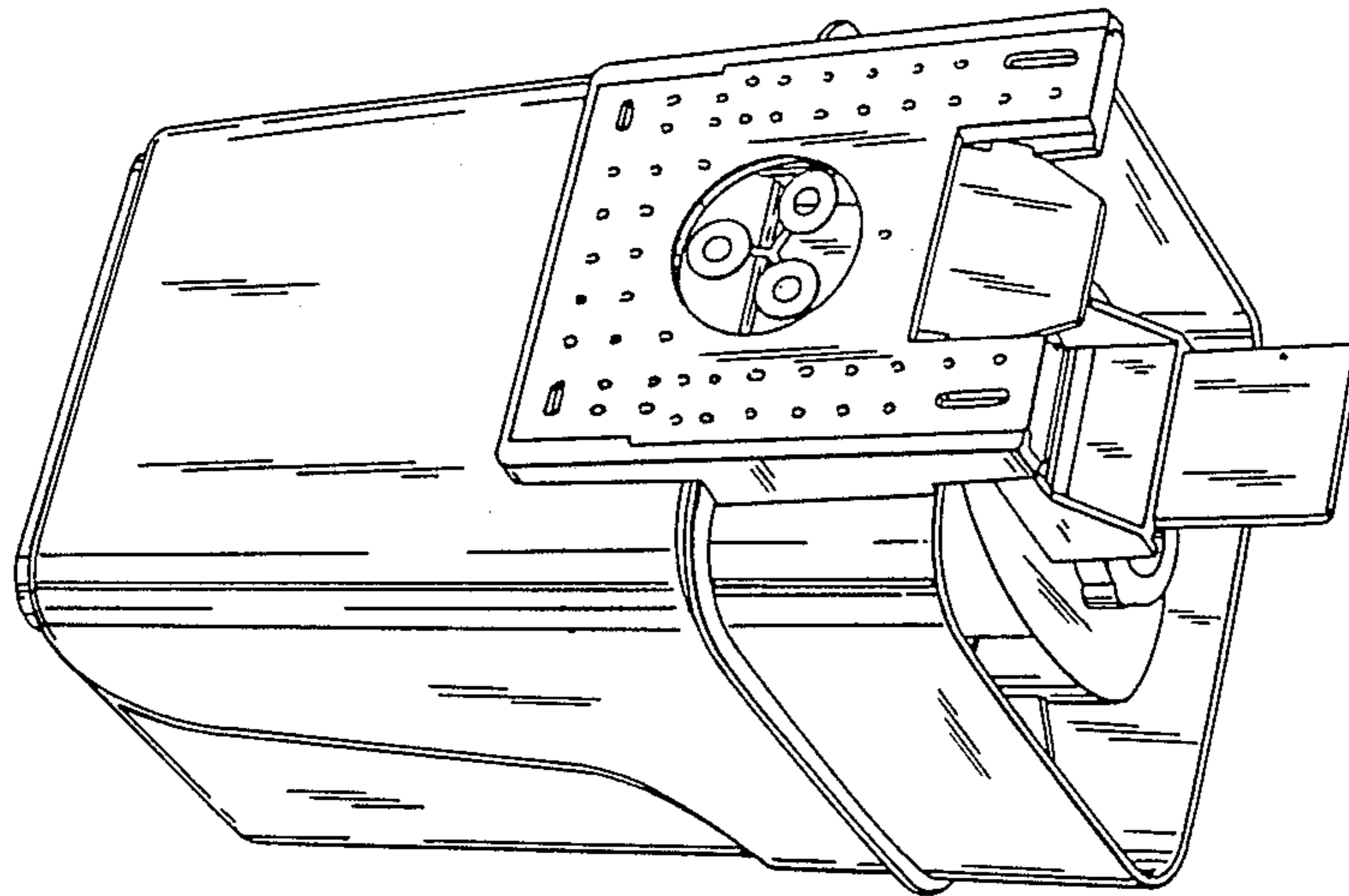


Fig. 3