

[54] **PHOTOSTAND**

[76] Inventor: **Seiji Sakai**, No. 405, Kohno
Mansions, 3-29-21, Ohmori Kita,
Ohta-ku, Tokyo, Japan

[**] Term: **14 Years**

[21] Appl. No.: **75,030**

[22] Filed: **Jul. 17, 1987**

[52] U.S. Cl. **D6/311**

[58] Field of Search **D6/300-314;**
40/152, 152.1, 152.2, 153; 362/135

[56] **References Cited**

U.S. PATENT DOCUMENTS

D. 283,086 3/1986 Weinhart **D6/308**

OTHER PUBLICATIONS

Hong Kong Enterprise, 8/81, p. 165, Picture Frame
#8030.

Primary Examiner—Bernard Ansher
Assistant Examiner—Terry A. Pfeffer
Attorney, Agent, or Firm—Jordan and Hamburg

[57] **CLAIM**

The ornamental design for photostand, as shown and described.

DESCRIPTION

FIG. 1 is a front elevational view of a photostand showing my new design;
FIG. 2 is a top plan view thereof;
FIG. 3 is a rear elevational view thereof;
FIG. 4 is a right side elevational view thereof;
FIG. 5 is a left side elevational view thereof;
FIG. 6 is a bottom plan view thereof;
FIG. 7 is a cross-sectional view taken along line 7—7 of FIG 1;
FIG. 8 is a right side elevational view thereof in closed position; and
FIG. 9 is a perspective view thereof, the people shown in broken lines for illustrative purposes only.

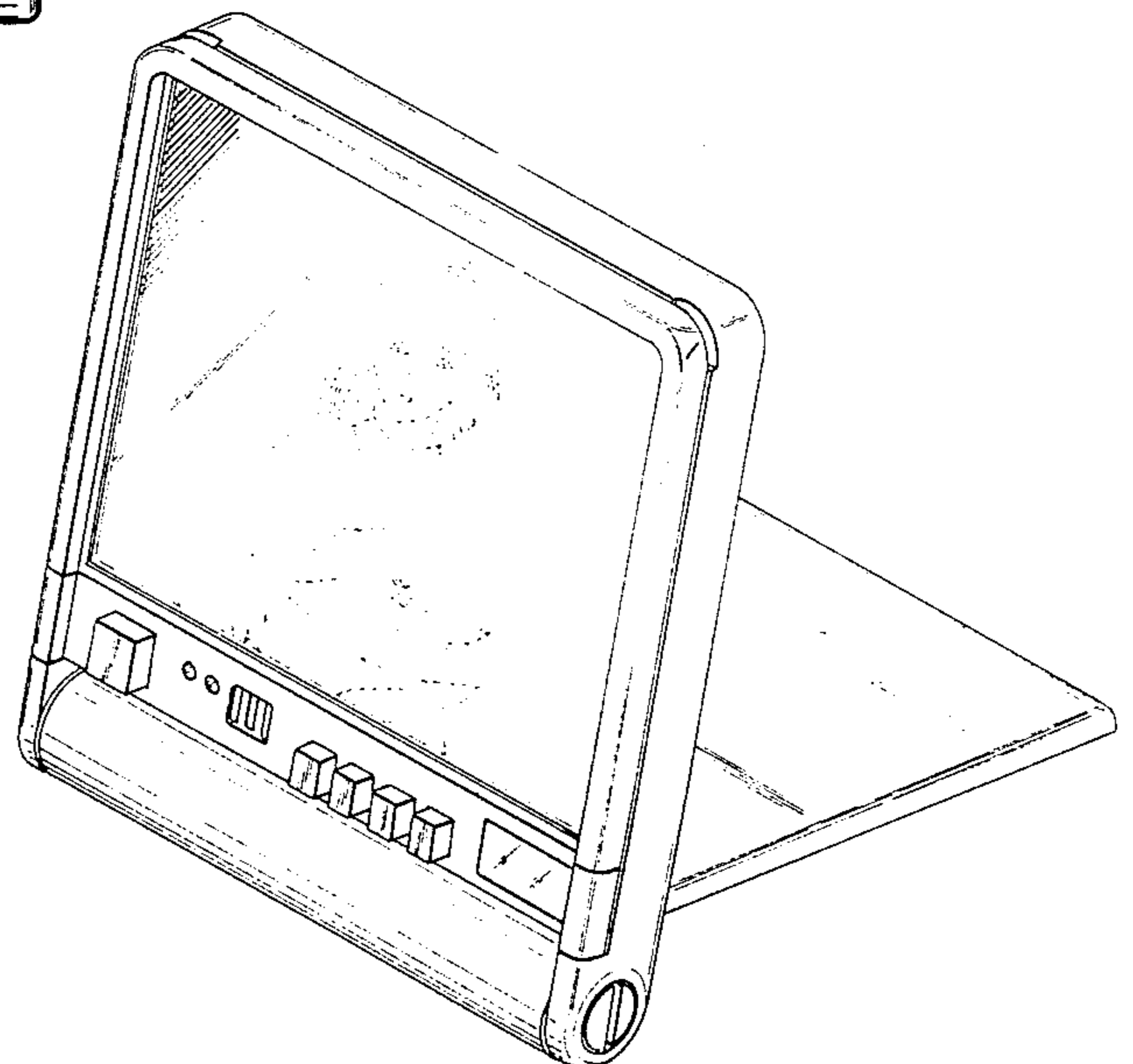
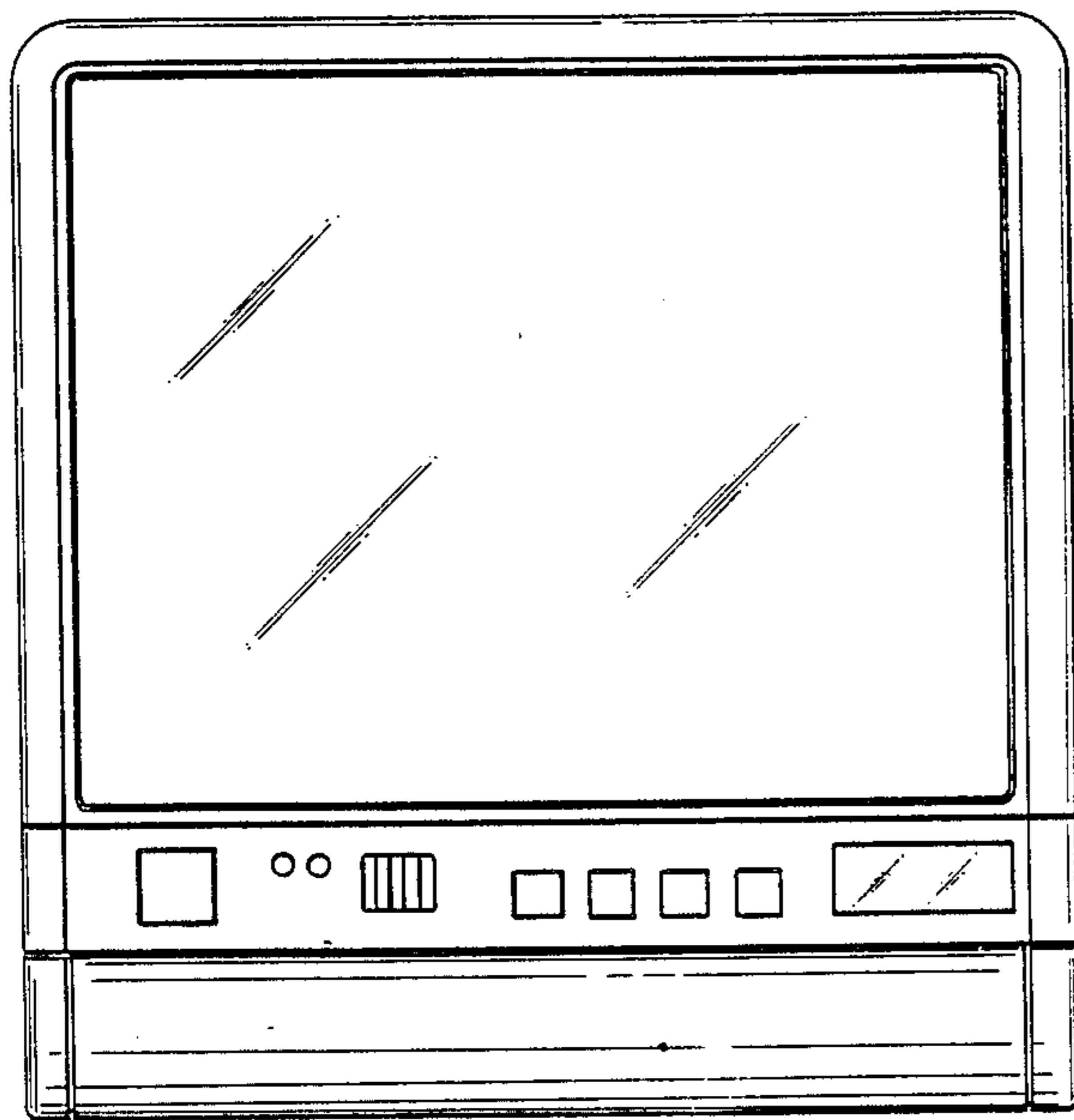
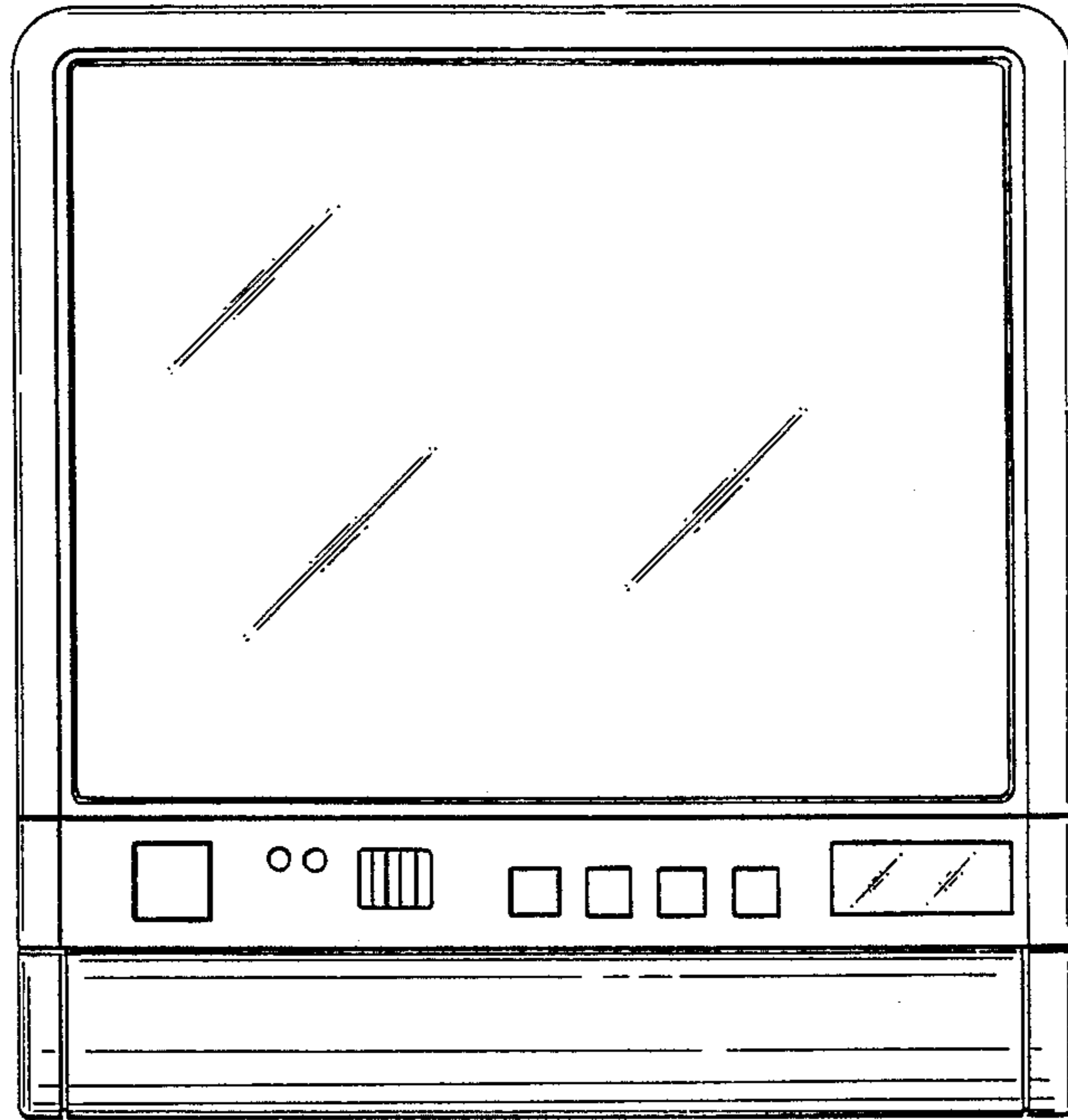


Fig. 1 7-7



7-7

Fig. 2

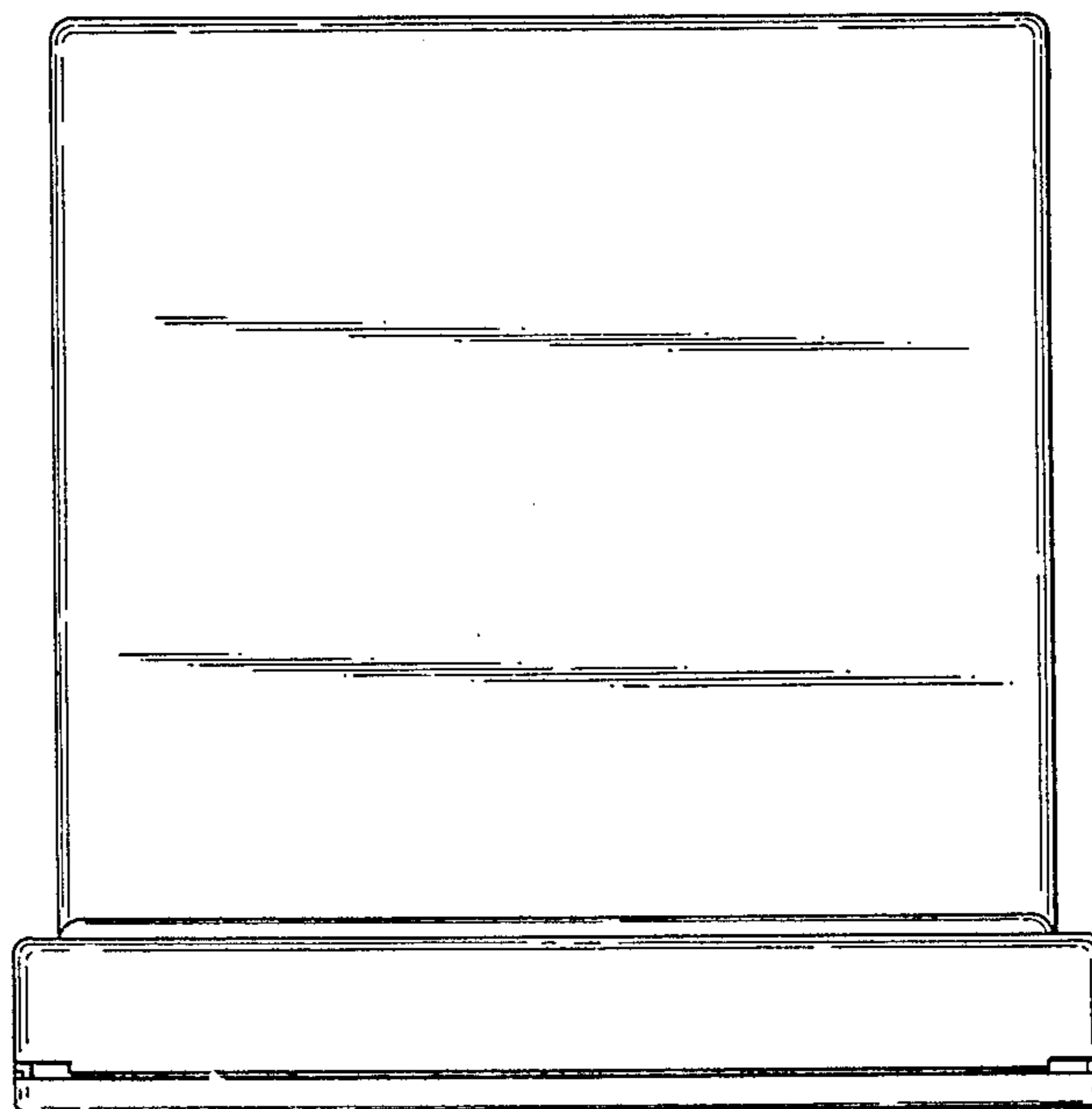


Fig. 3

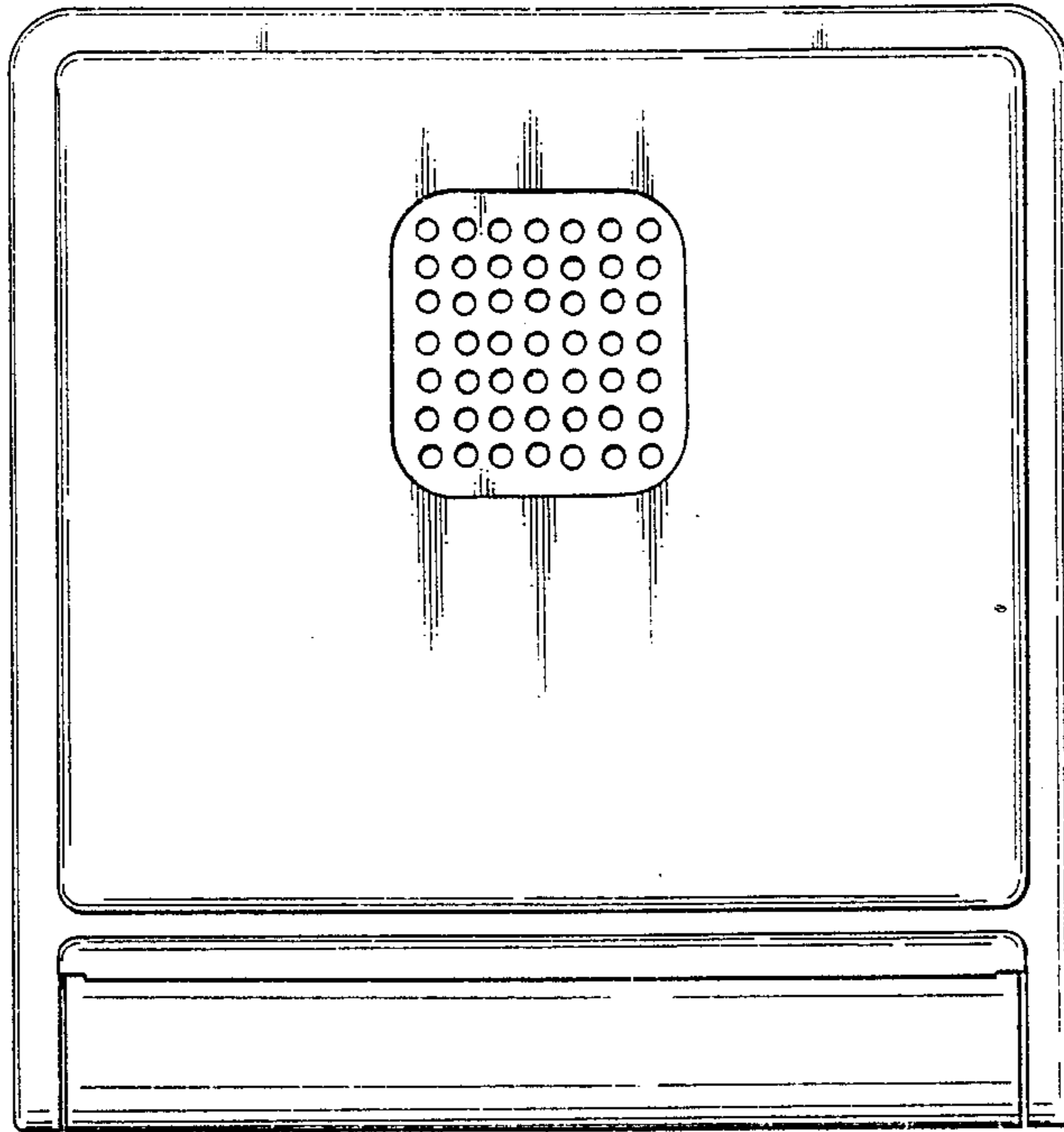


Fig. 4

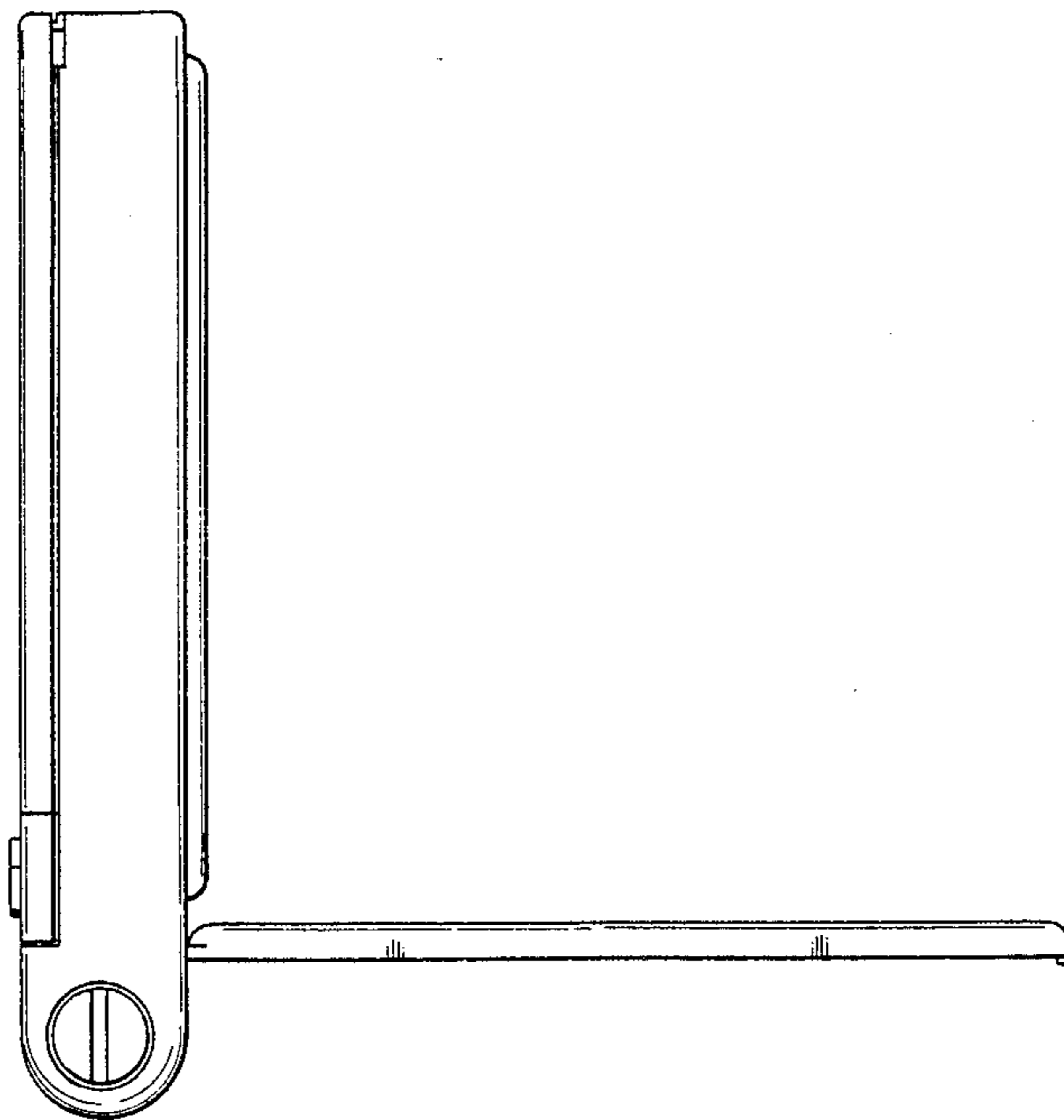


Fig. 5

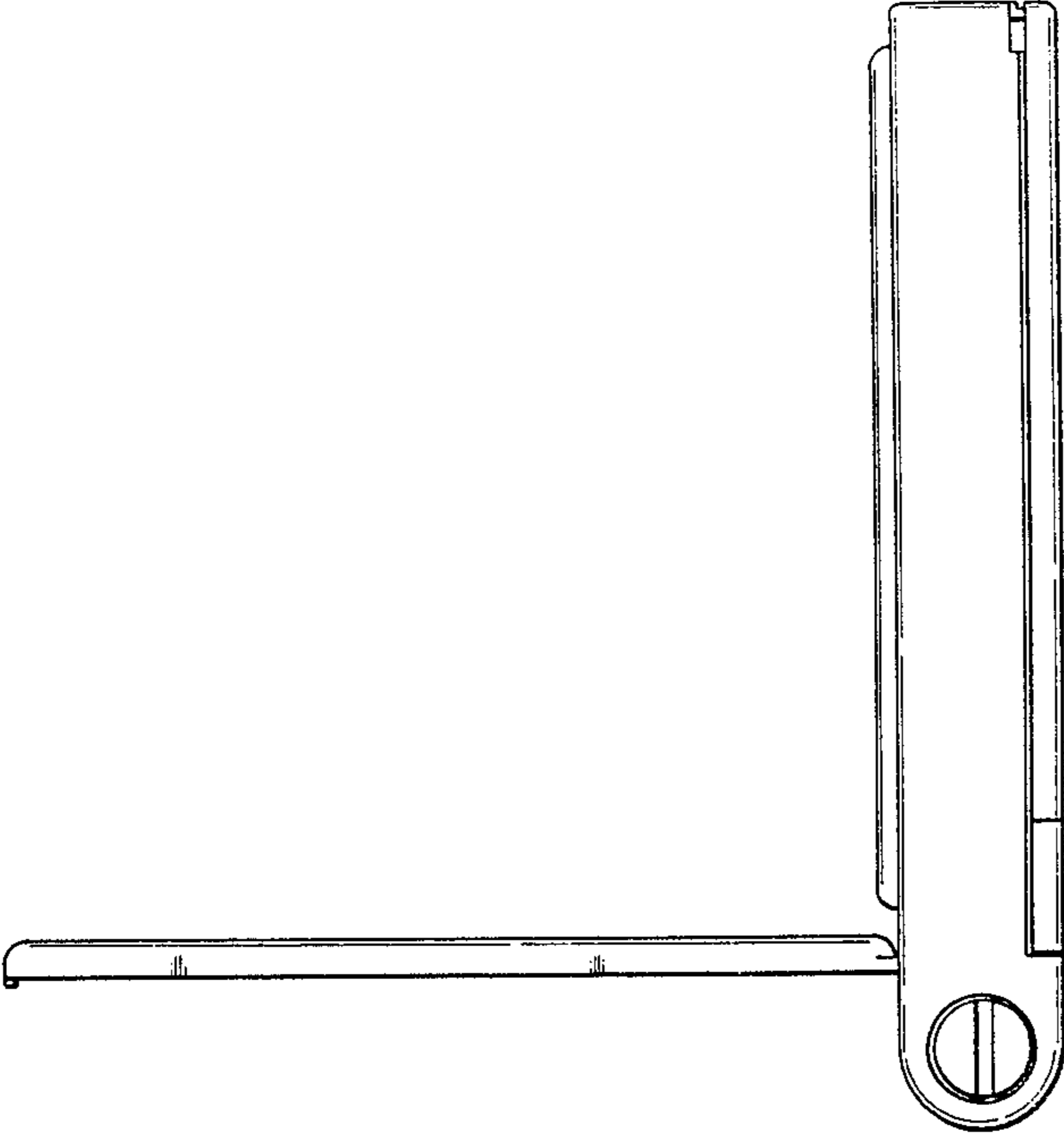


Fig. 6

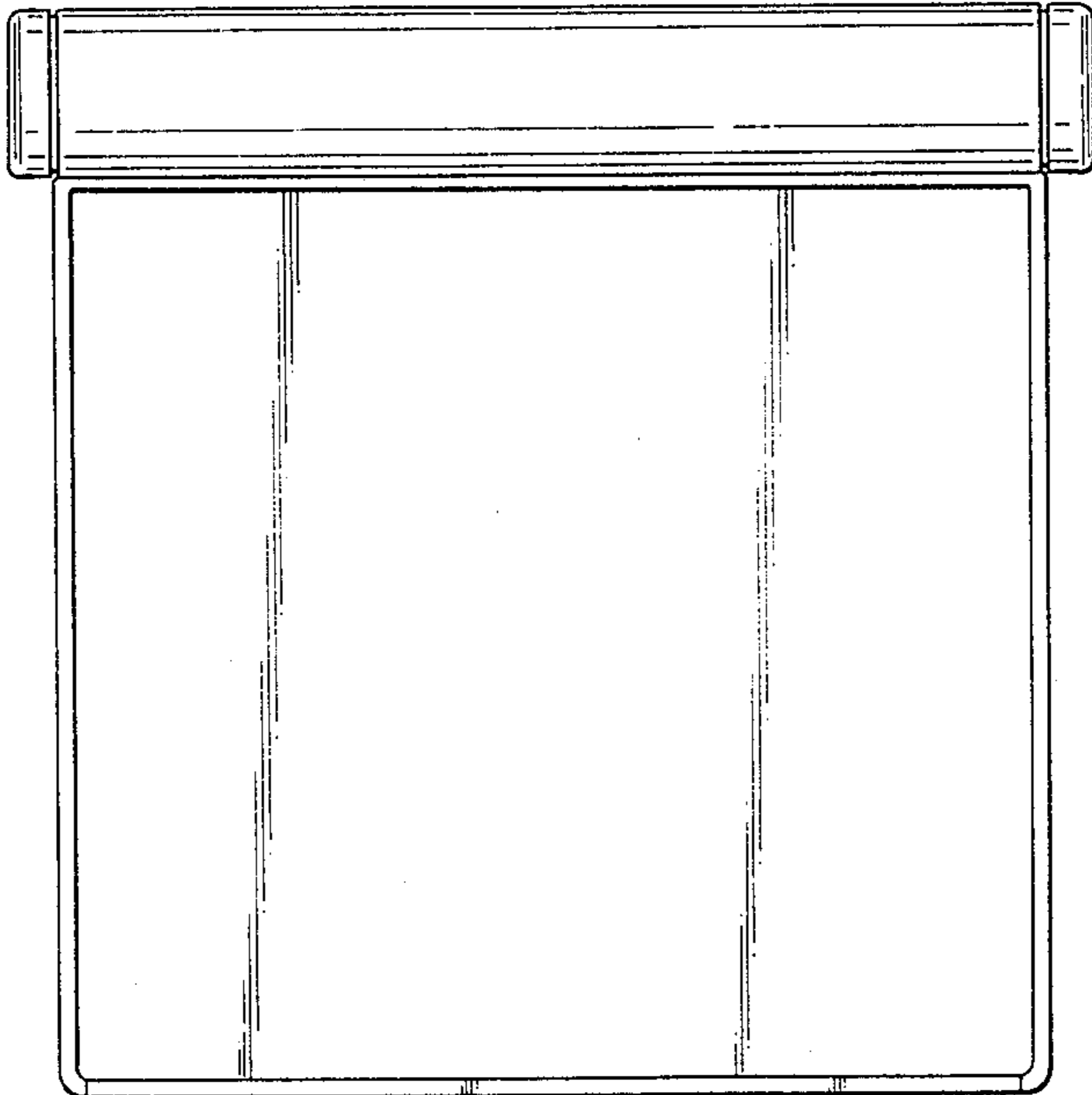


Fig. 7

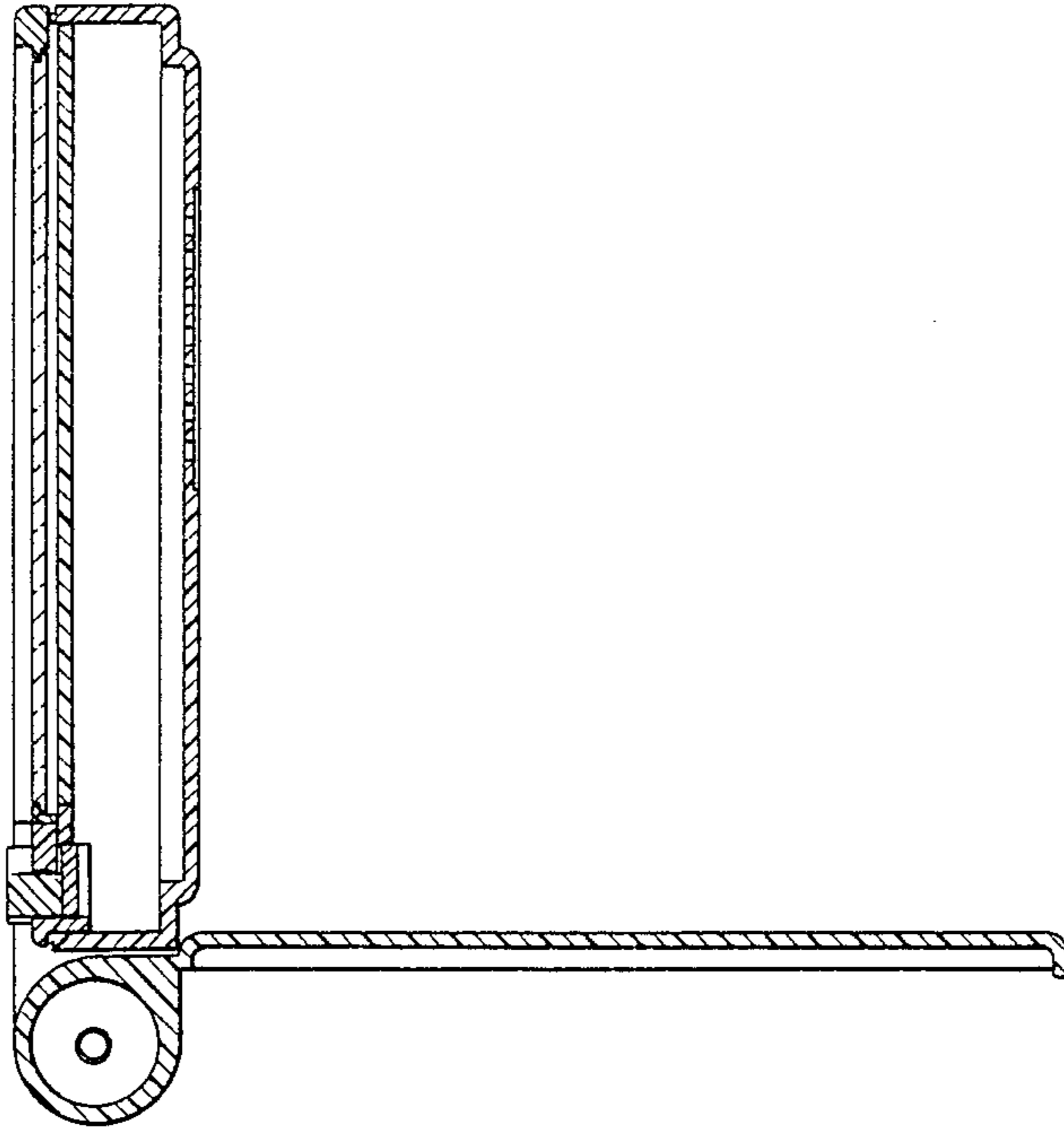


Fig. 8

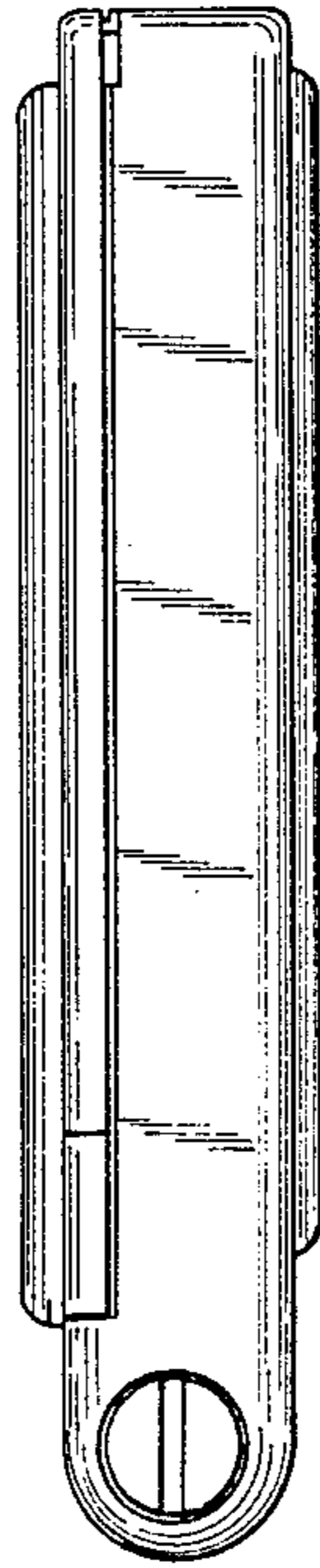


Fig. 9

