

[54] COMBINED TOOTHBRUSH AND CONTAINER THEREFOR

[76] Inventor: Emilio Ambasz, 295, Central Park West, New York, N.Y. 10024

[**] Term: 14 Years

[21] Appl. No.: 192,400

[22] Filed: May 10, 1988

[52] U.S. Cl. D4/108

[58] Field of Search D4/100-101, D4/104-114, 199; D24/10-11; 15/159 R, 159 A, 167.1-167.3, 172, 176.1-176.6, 185; 132/308, 311; 206/361-362, 362.1-362 A

[56] References Cited

U.S. PATENT DOCUMENTS

D. 173,451	11/1954	Morse	D4/108
D. 300,690	4/1989	Ambasz	D4/108
D. 301,403	6/1989	Ambasz	D4/108
1,304,769	5/1919	Hendrickson	15/185
1,362,269	12/1920	Schwarz	15/176.5 X
2,744,278	5/1956	Roth	15/185

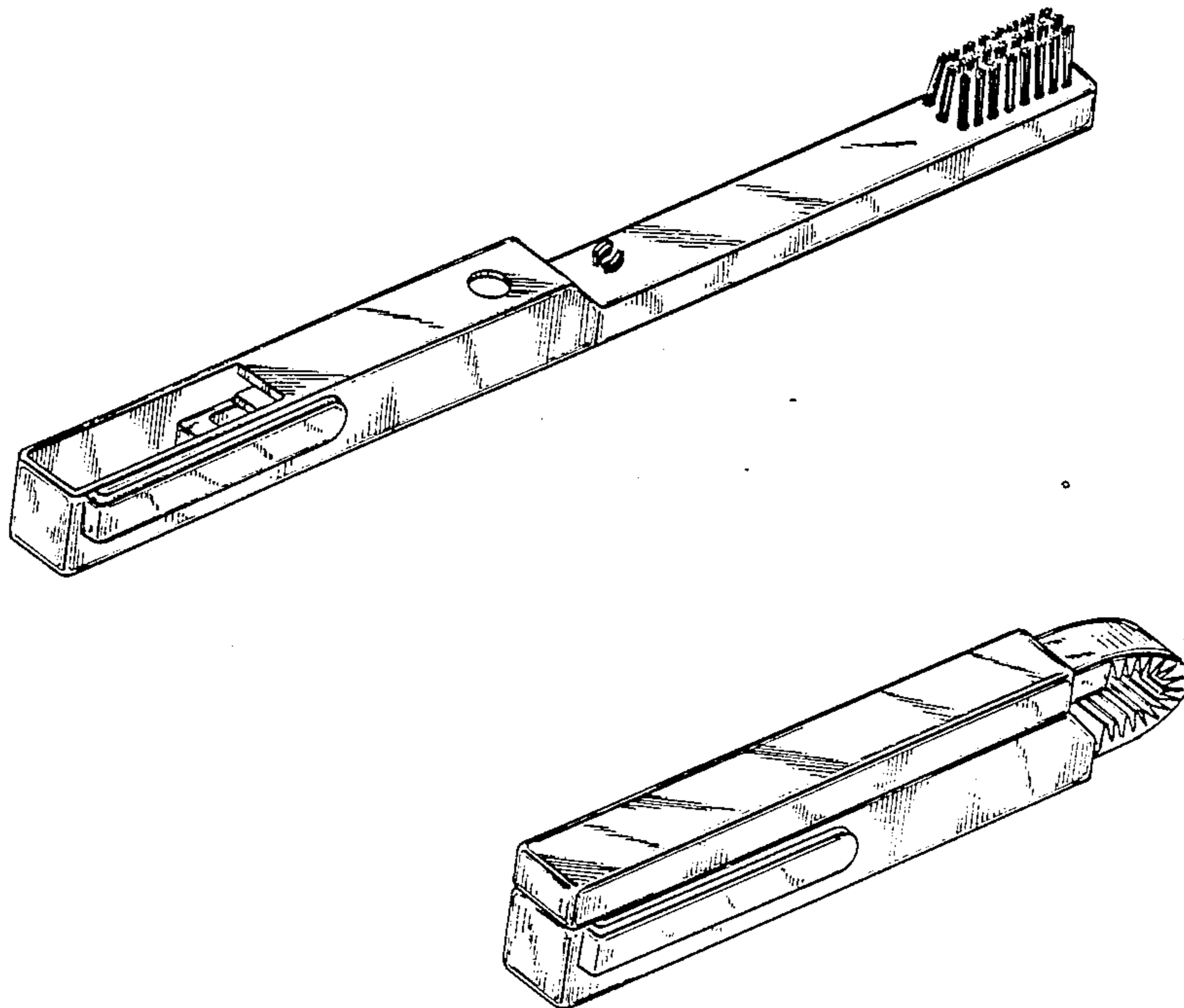
Primary Examiner—Wallace R. Burke
Assistant Examiner—Lavone D. Tabor
Attorney, Agent, or Firm—Ostrolenk, Faber, Gerb & Soffen

[57] CLAIM

The ornamental design for a combined toothbrush and container therefor, as shown and described.

DESCRIPTION

FIG. 1 is a perspective view of a combined toothbrush and container therefor showing my new design; FIG. 2 is a side elevational view thereof; FIG. 3 is an elevational view of the opposite side thereof; FIG. 4 is a top plan view thereof; FIG. 5 is a bottom plan view thereof; FIG. 6 is an end elevational view as seen from the left of FIG. 5; FIG. 7 is a right end elevational view thereof; FIG. 8 is a perspective view of thereof, shown with the handle extended in the condition to accommodate closure; and FIG. 9 is a perspective view thereof, shown with the toothbrush enclosed in the container portion.



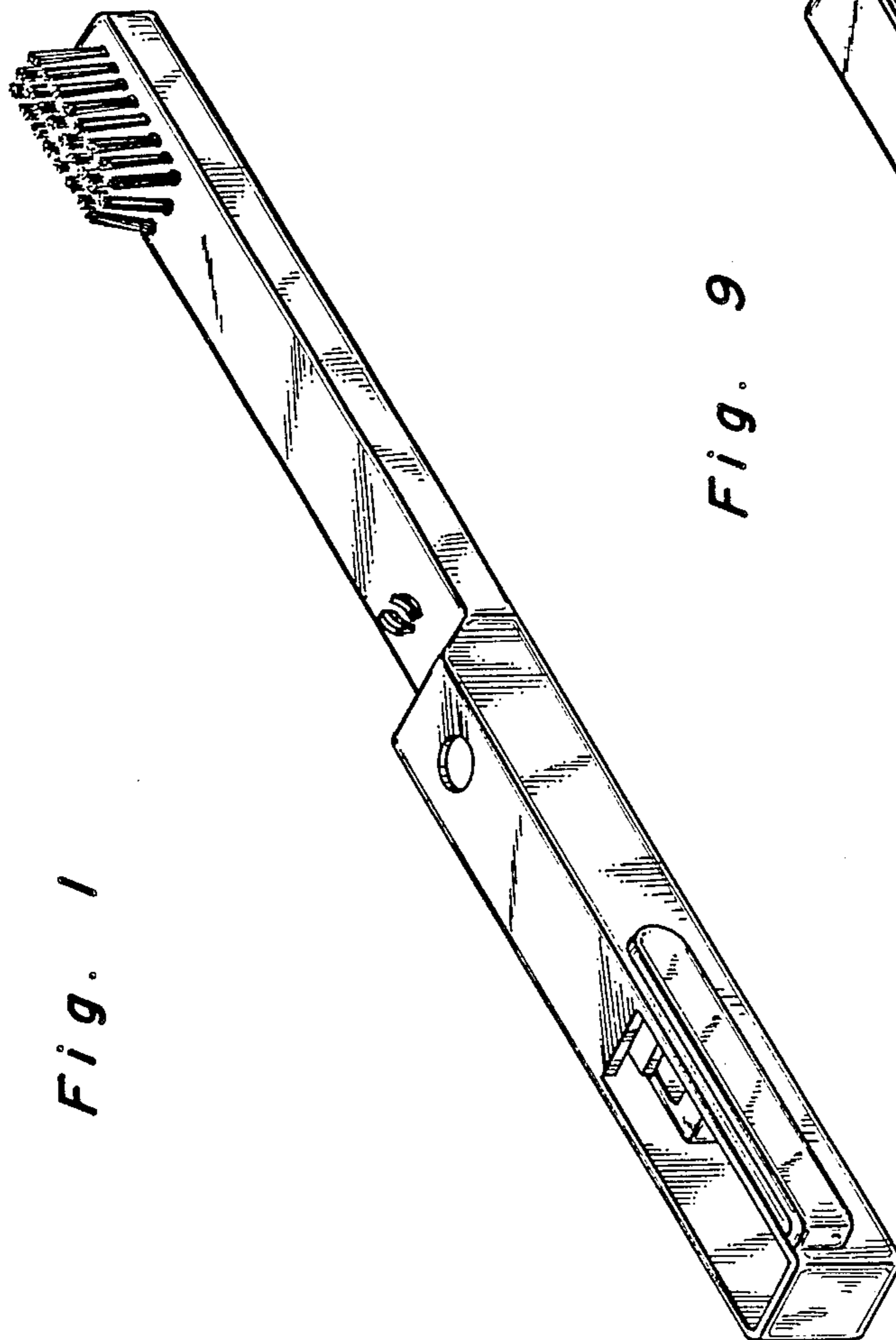


Fig. 1

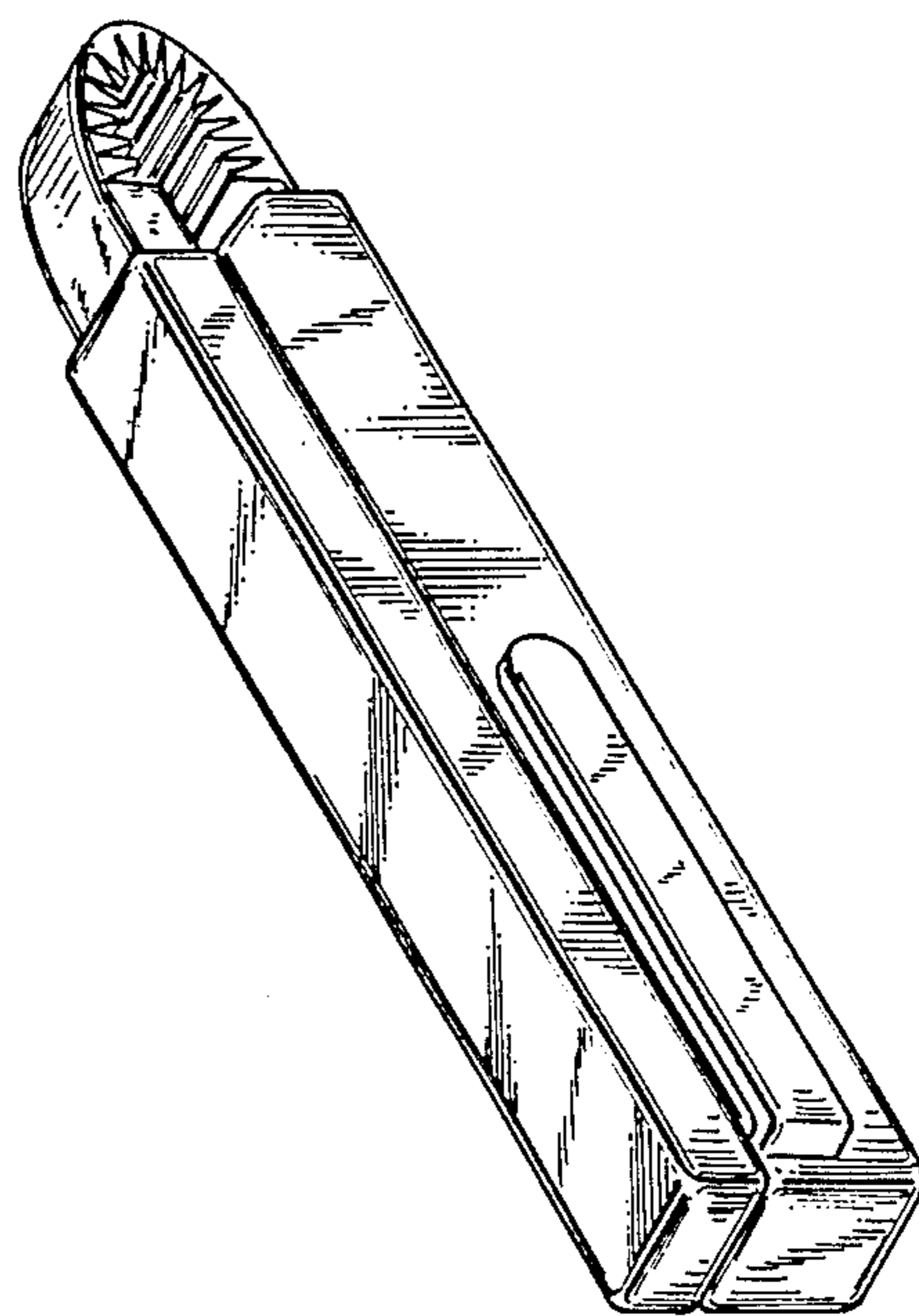


Fig. 9

Fig. 2

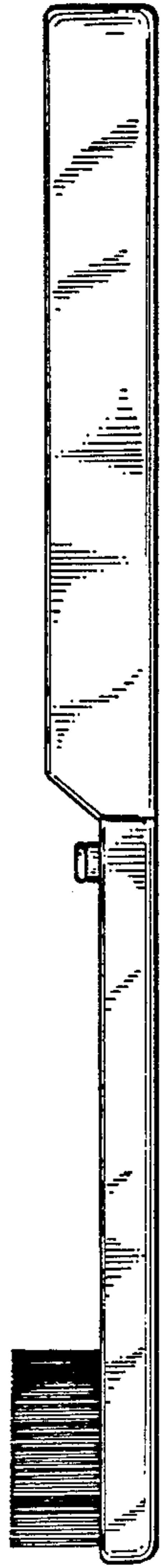


Fig. 6

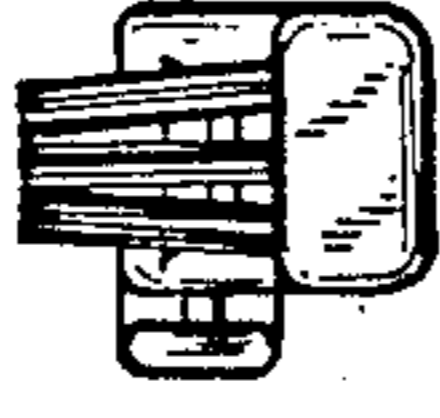


Fig. 3

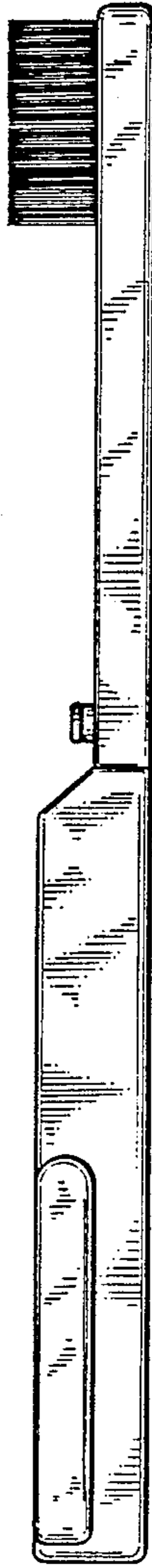


Fig. 7



Fig. 4

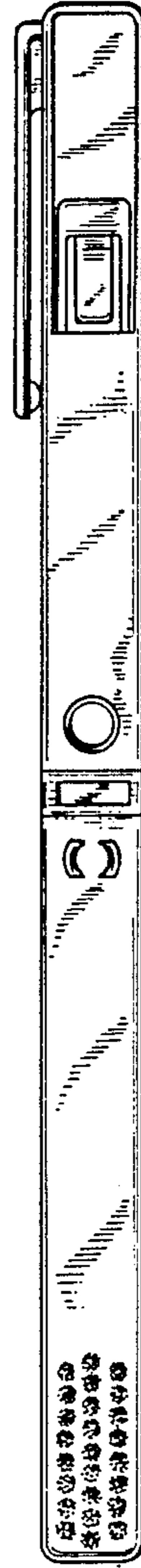
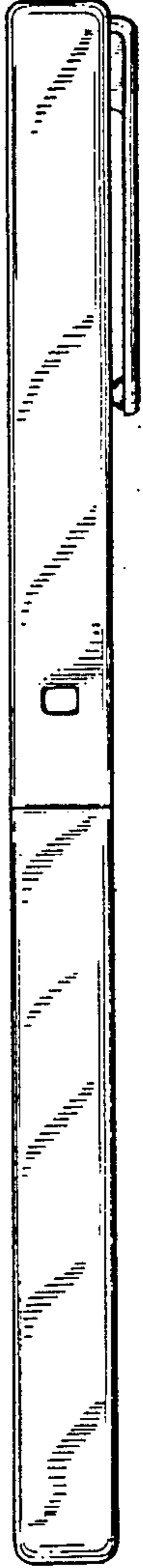


Fig. 5



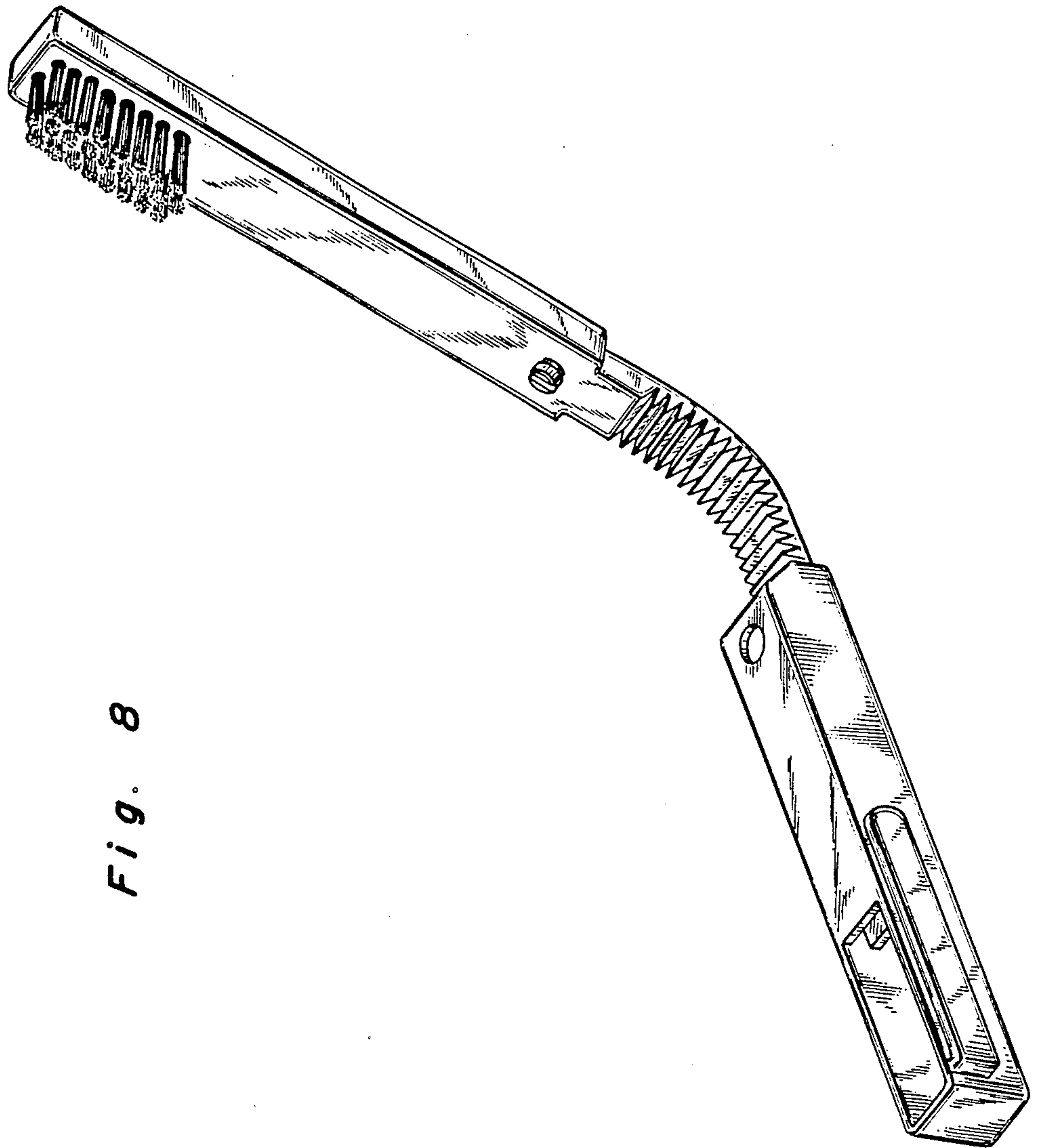


Fig. 8