

[54] TOOTHBRUSH AND CONTAINER SET

[76] Inventor: Emilio Ambasz, 295, Central Park West, New York, N.Y. 10024

[\*\*] Term: 14 Years

[21] Appl. No.: 192,399

[22] Filed: May 10, 1988

[52] U.S. Cl. .... D4/108; D4/105

[58] Field of Search ..... D4/100-101, D4/104-114, 199; D24/10-11; 15/159 R, 159 A, 167.1-167.3, 172, 176.1-176.6, 185; 132/308, 311; 206/361-362, 362.1-362.4

[56] References Cited

U.S. PATENT DOCUMENTS

D. 144,385	4/1946	Katz	.....	D4/108
D. 182,171	2/1958	Frederickson	.....	D4/108
D. 300,690	4/1989	Ambasz	.....	D4/108

Primary Examiner—Wallace R. Burke

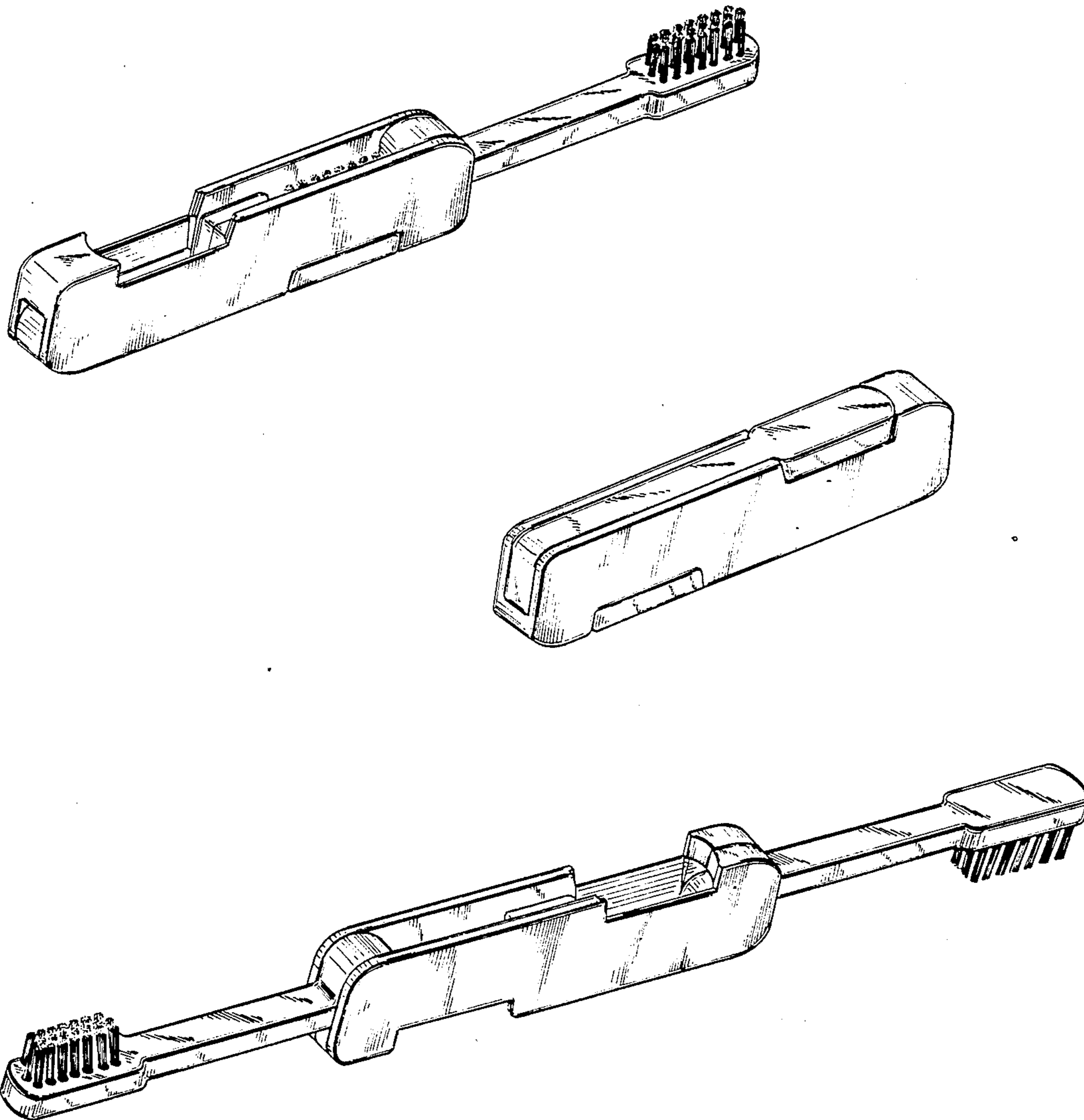
Assistant Examiner—Lavone D. Tabor  
Attorney, Agent, or Firm—Ostrolenk, Faber, Gerb & Soffen

[57] CLAIM

The ornamental design for a toothbrush and container set, as shown and described.

DESCRIPTION

FIG. 1 is a perspective view of a toothbrush and container set showing my new design; FIG. 2 is a side elevational view thereof; the opposite side elevational view being a mirror image; FIG. 3 is a top plan view thereof; FIG. 4 is a bottom plan view thereof; FIG. 5 is an elevational view as seen from the left of FIG. 3; FIG. 6 is a right end elevational view thereof; FIG. 7 is a perspective view thereof, shown with both toothbrushes projecting from the container portion; and FIG. 8 is a perspective view thereof, shown with both toothbrushes enclosed in the container portion.



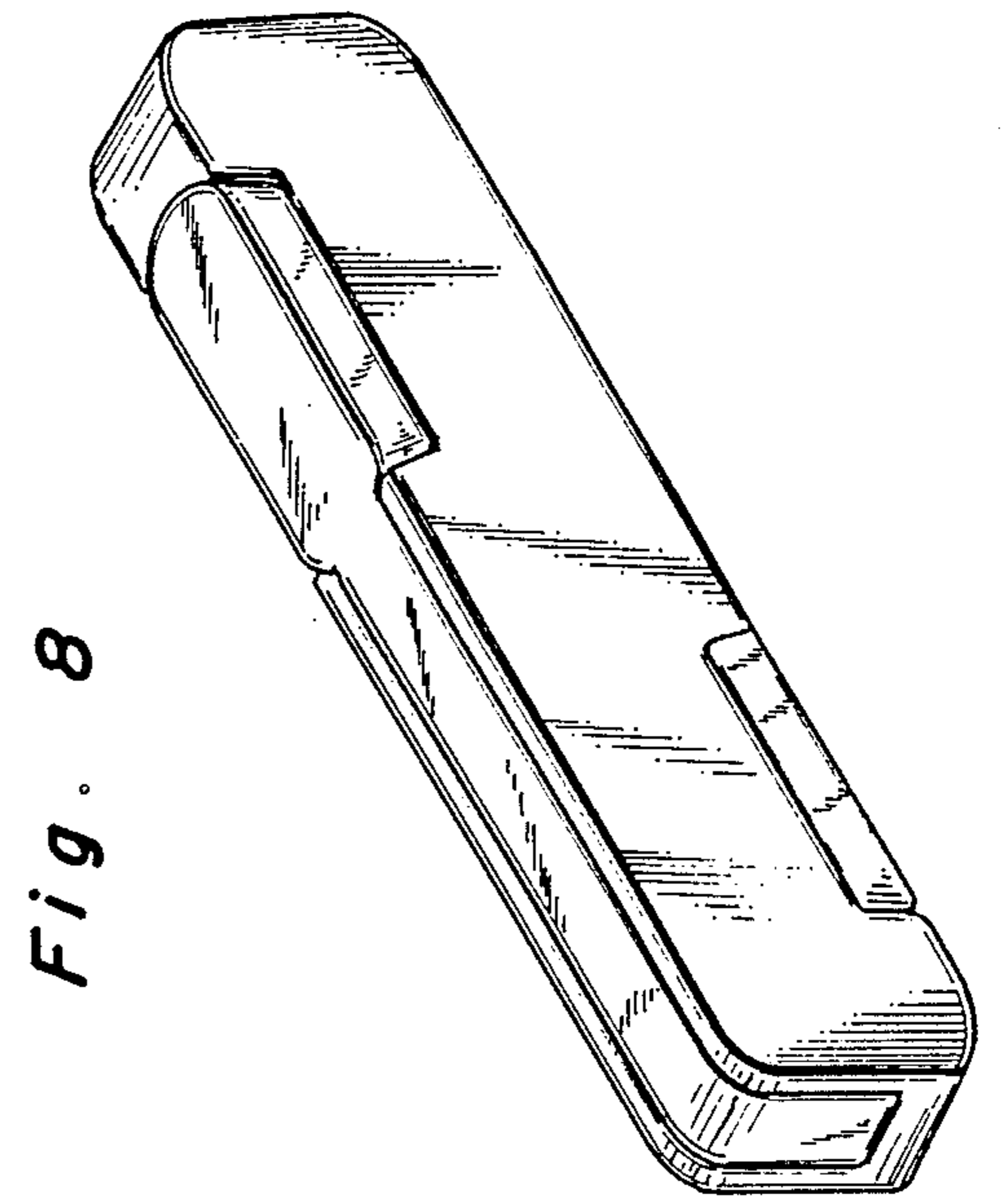
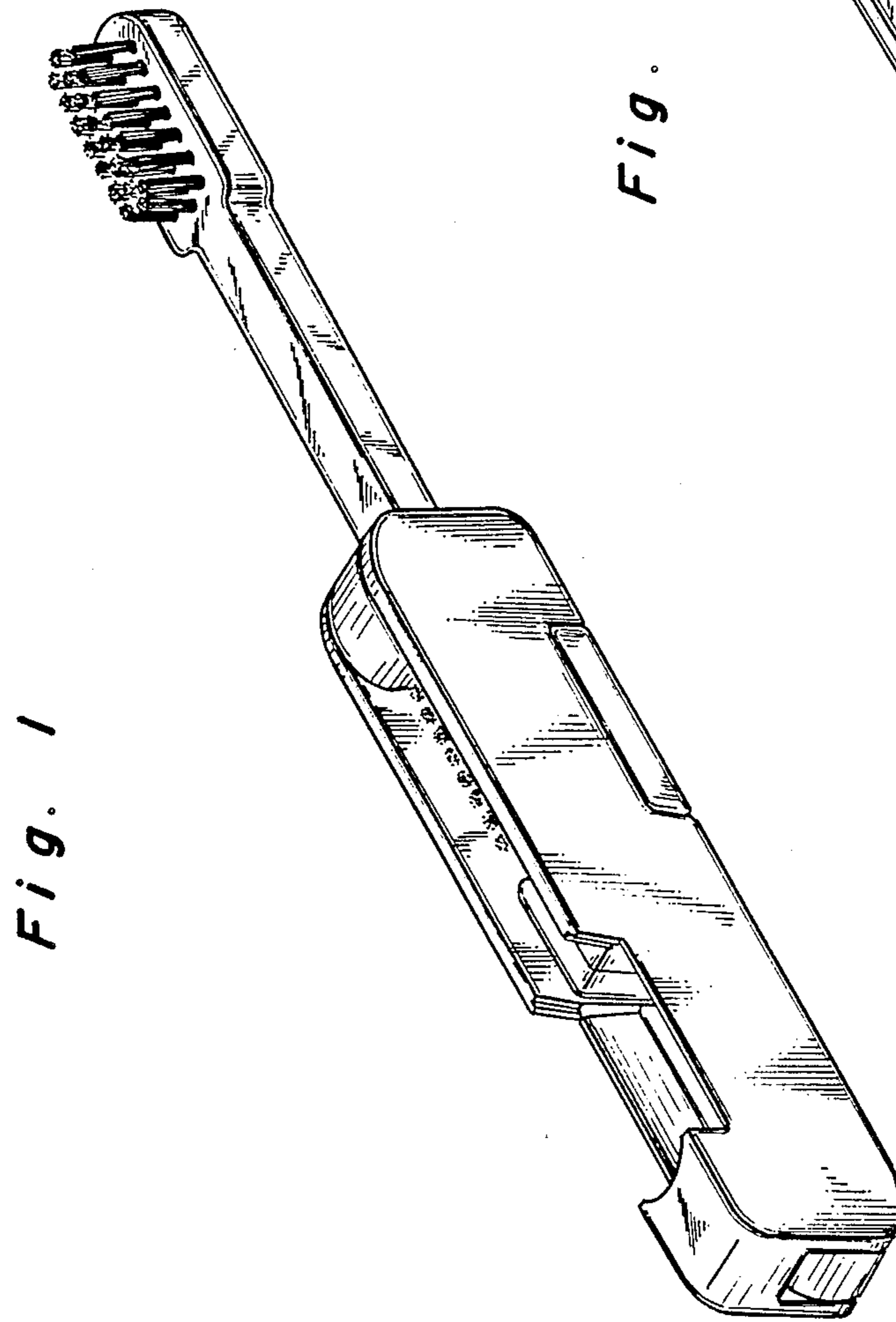


Fig. 2

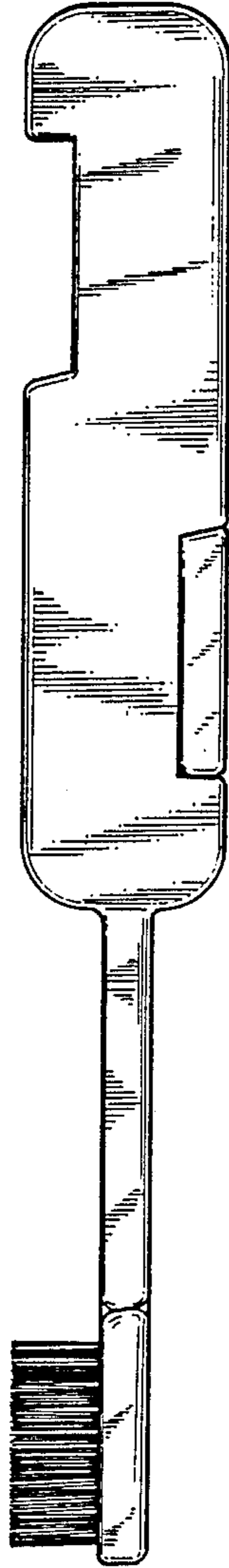


Fig. 5



Fig. 3



Fig. 6

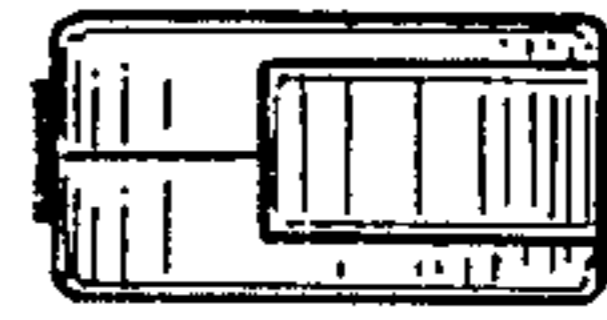
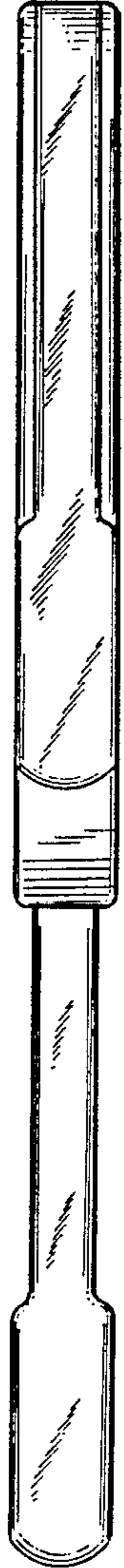


Fig. 4



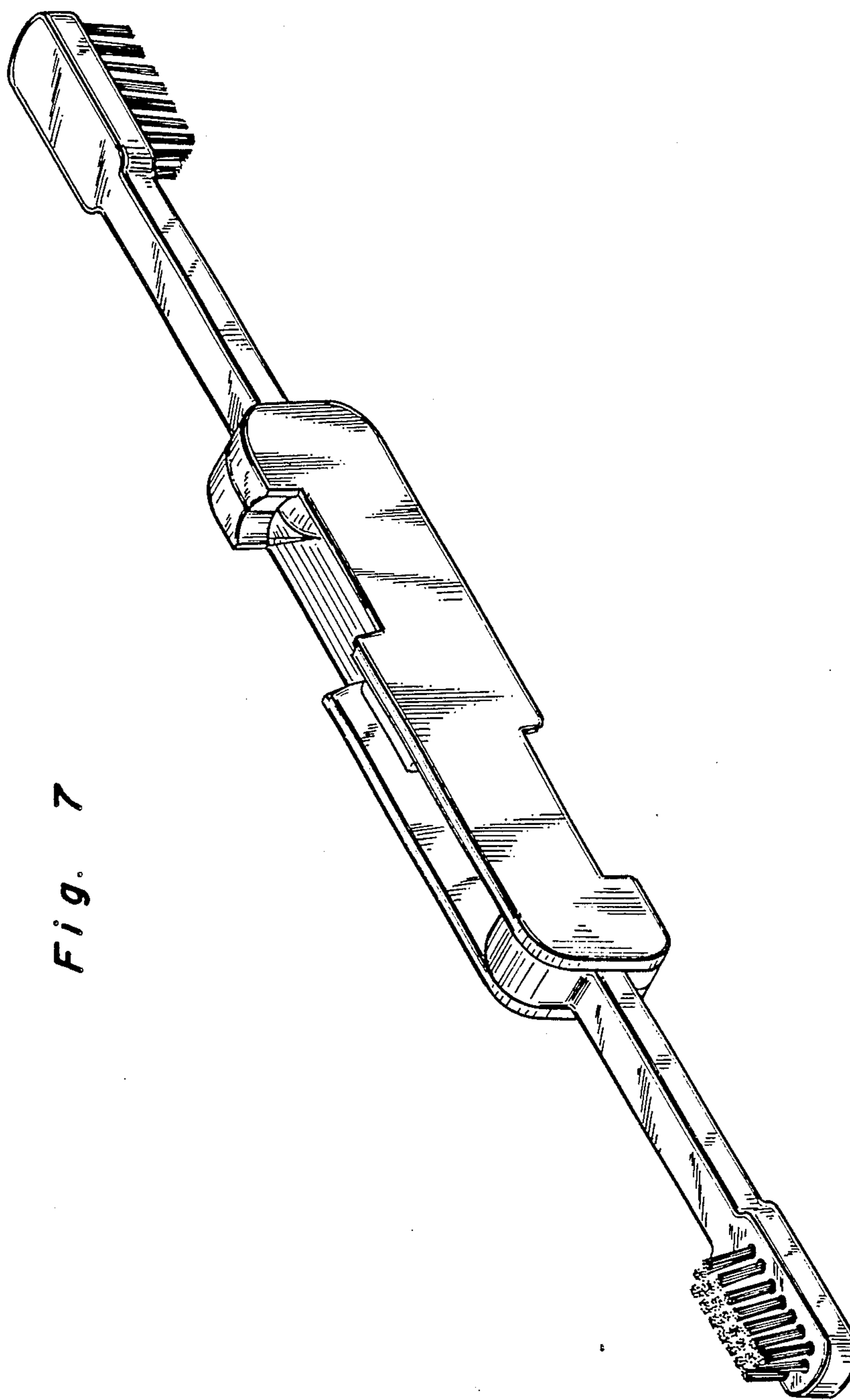


Fig. 7