

[54] COMBINED TOOTHBRUSH AND CONTAINER THEREFOR

[76] Inventor: Emilio Ambasz, 295, Central Park West, New York, N.Y. 10024

[\*\*] Term: 14 Years

[21] Appl. No.: 192,398

[22] Filed: May 10, 1988

[52] U.S. Cl. .... D4/108; D4/106

[58] Field of Search ..... D4/100-101, D4/104-114, 199; D24/10-11; 15/167.1-167.3, 176.1-176.6, 172, 185, 159 R, 159 A, 143 R, 145; 132/308, 311; 206/361-362, 362.1-362.4

[56] References Cited

U.S. PATENT DOCUMENTS

D. 297,888	10/1988	Stoll	.....	D4/105
D. 300,691	4/1989	Ambasz	.....	D4/108
D. 301,660	6/1989	Ambasz	.....	D4/108
2,112,658	3/1938	Rathbun	.....	15/167.1 X

Primary Examiner—Wallace R. Burke  
Assistant Examiner—Lavone D. Tabor

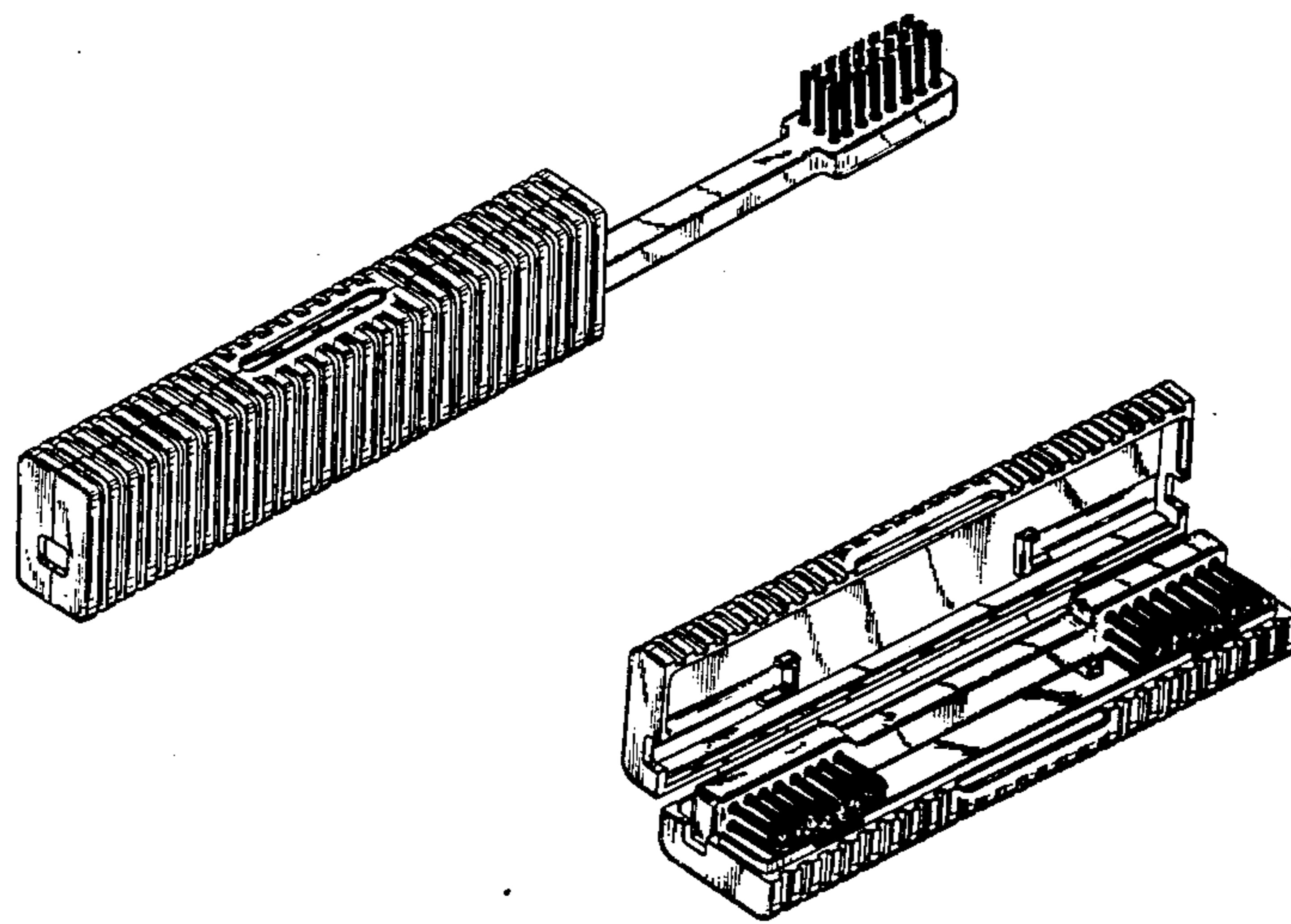
Attorney, Agent, or Firm—Ostrolenk, Faber, Gerb & Soffen

[57] CLAIM

The ornamental design for a combined toothbrush and container therefor, as shown and described.

DESCRIPTION

FIG. 1 is a perspective view of a combined toothbrush and container therefor showing my new design; FIG. 2 is a side elevational view thereof; the opposite side elevational view being a mirror image; FIG. 3 is a top plan view thereof; FIG. 4 is a bottom plan view thereof; FIG. 5 is an end elevational view as seen from the left of FIG. 2; FIG. 6 is a right end elevational view thereof; FIG. 7 is a perspective view thereof, shown with the toothbrush enclosed in the container portion; FIG. 8 is a perspective view thereof, shown with the container in opened condition; FIG. 9 is a perspective view thereof, shown with the toothbrush projecting from the container; and FIG. 10 is a perspective view of the toothbrush portion, shown separately for clarity of illustration only.



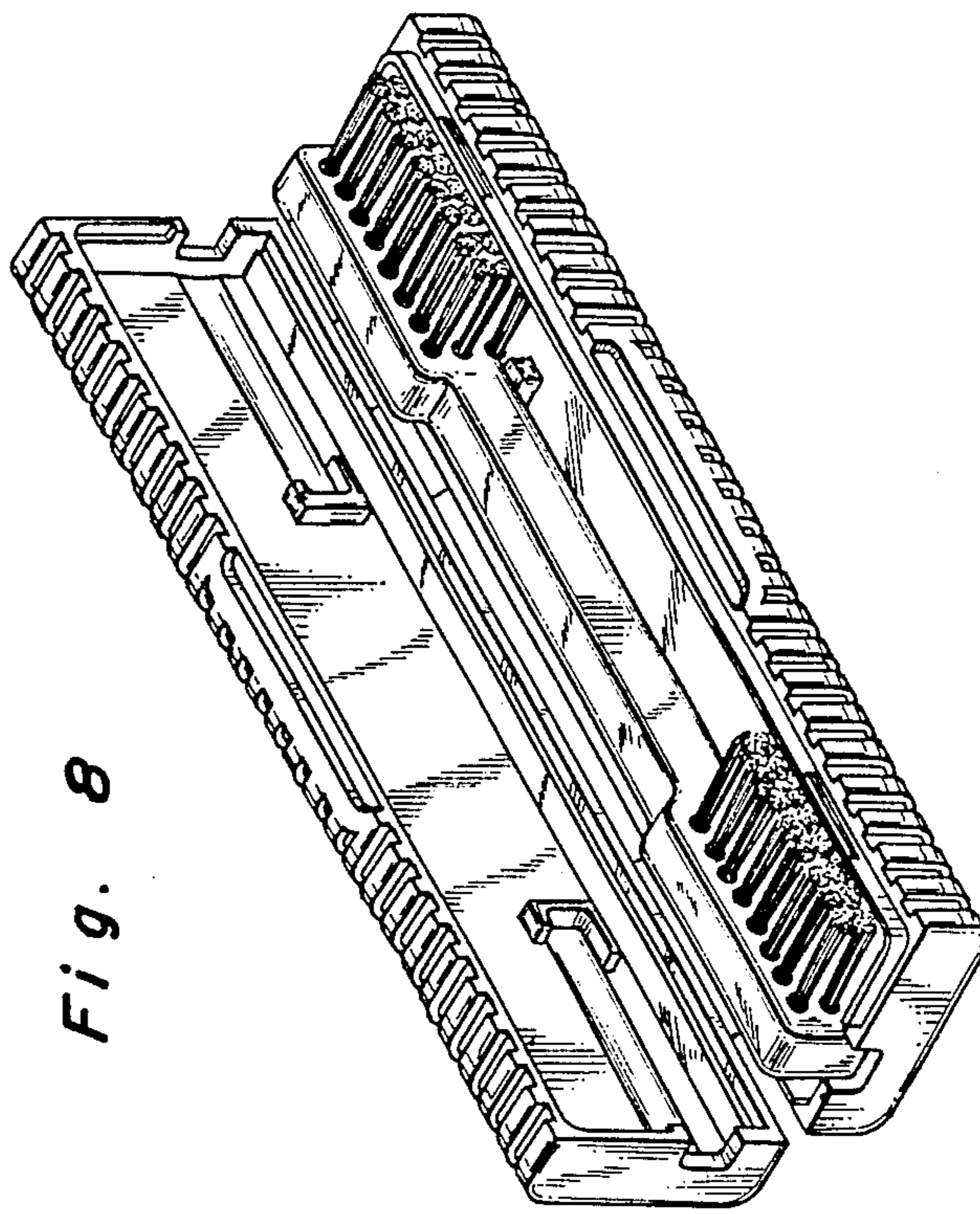
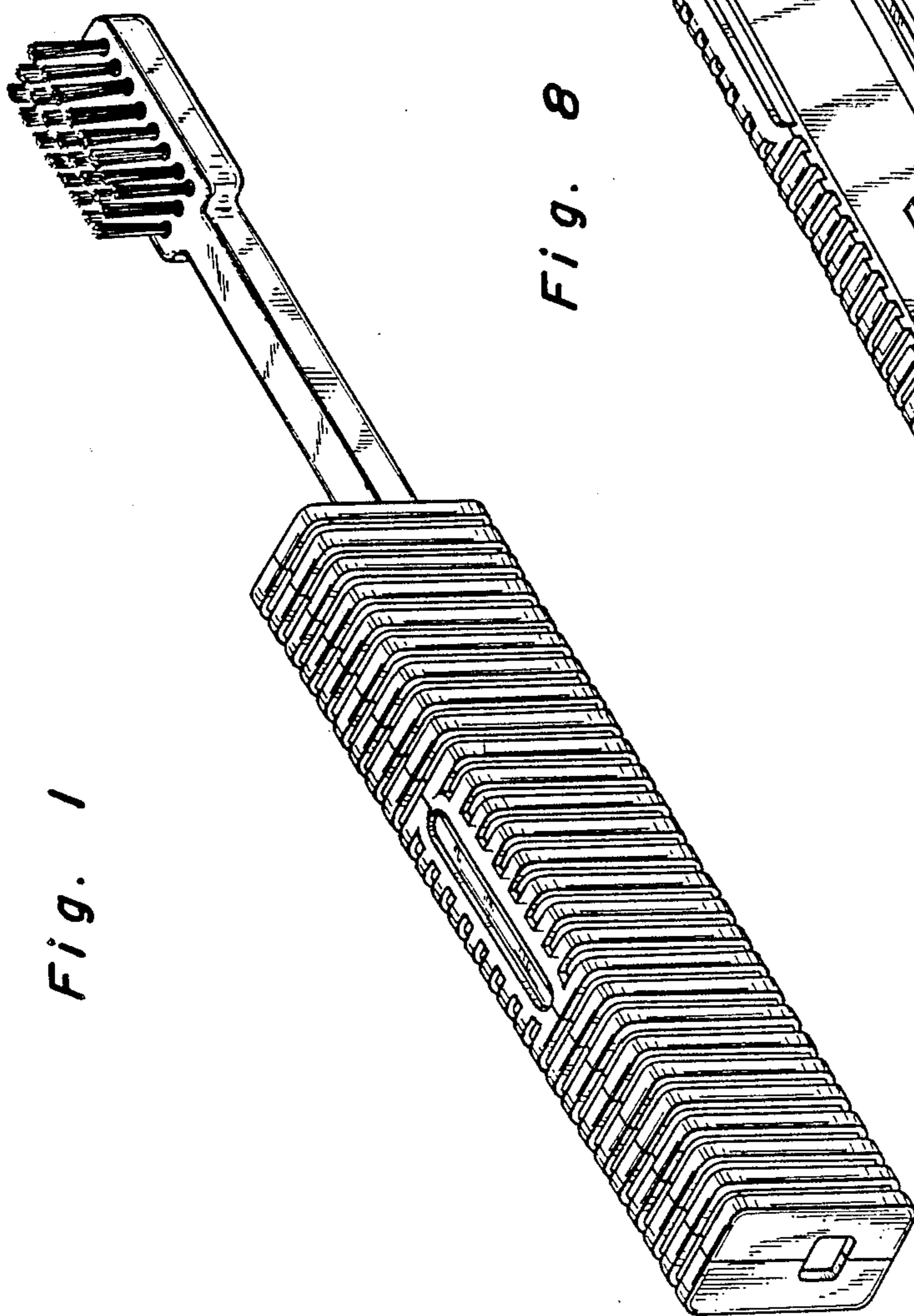


Fig. 2

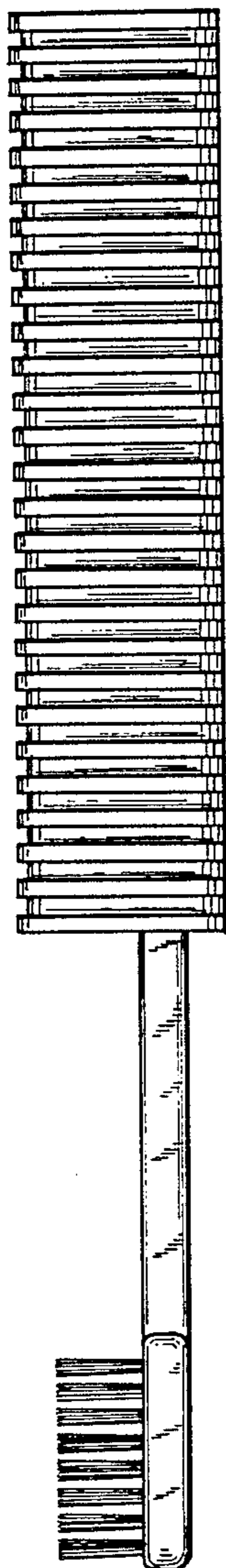


Fig. 5



Fig. 3



Fig. 6

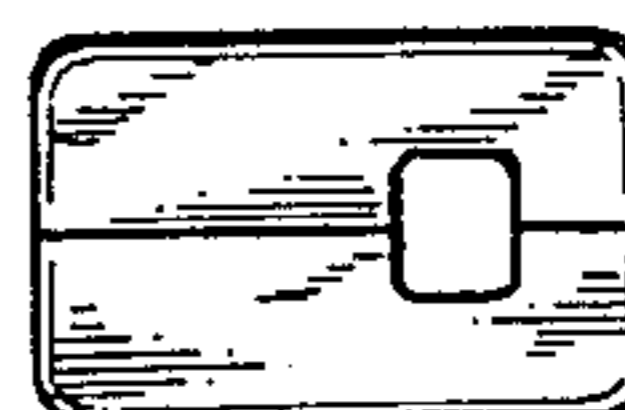
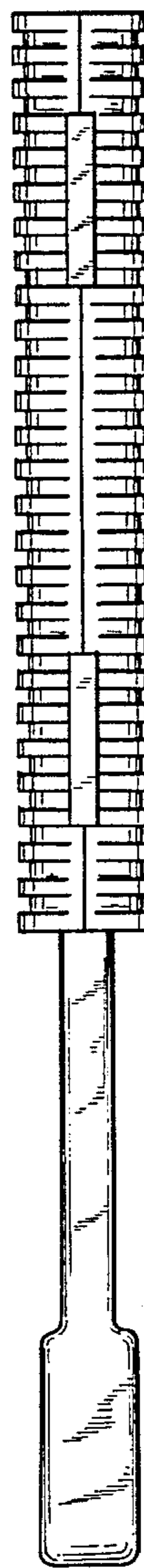


Fig. 4



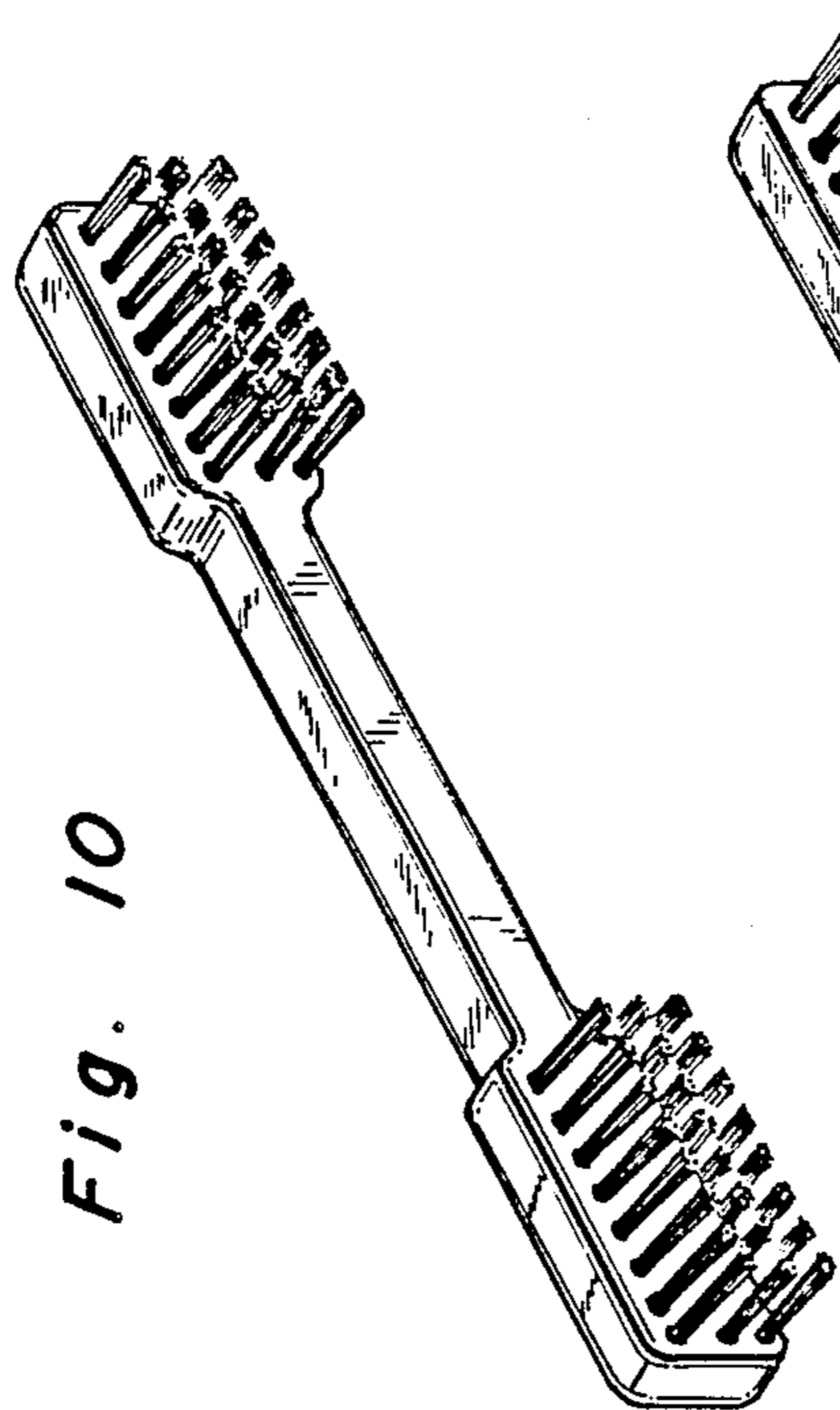


Fig. 10

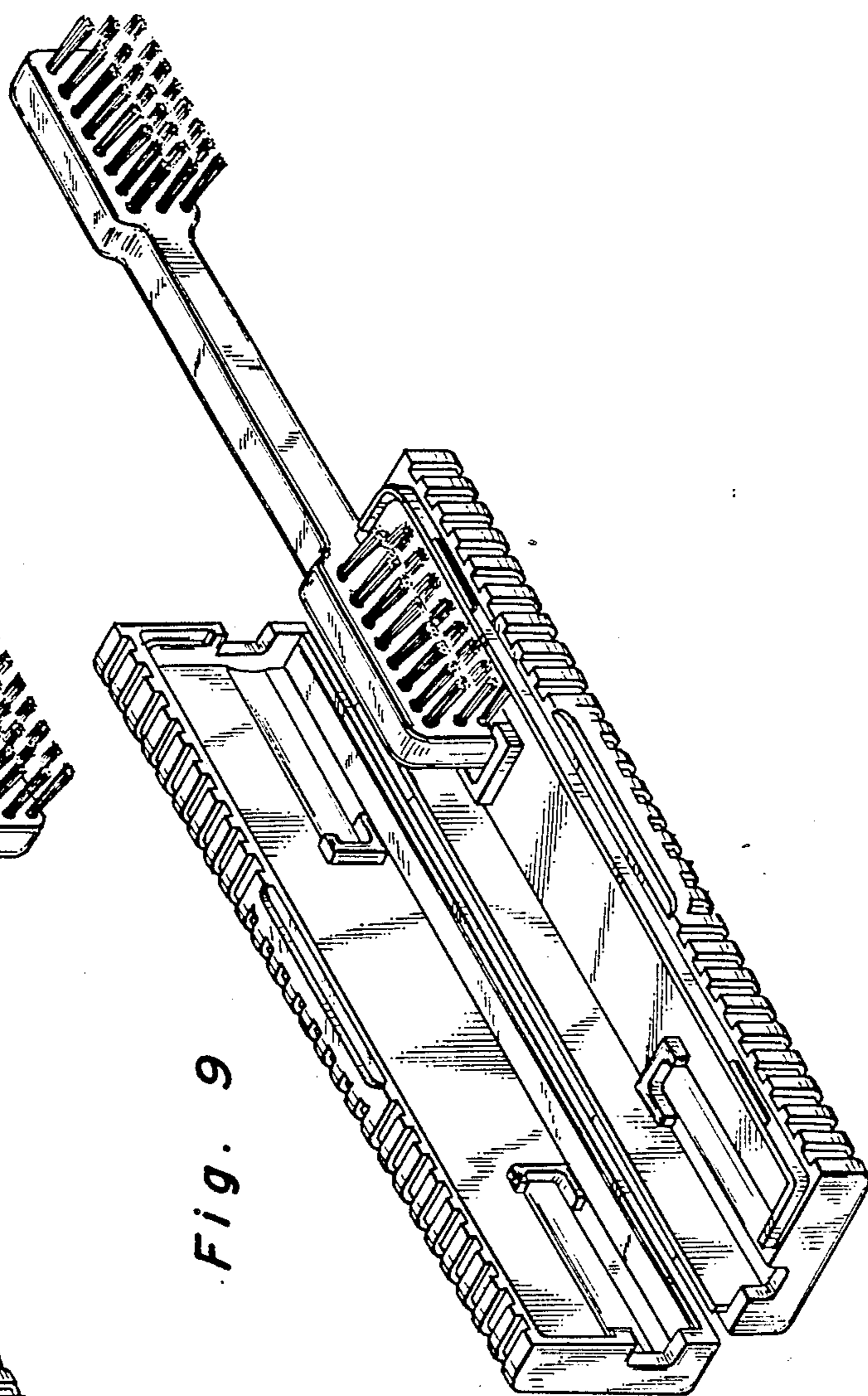


Fig. 9

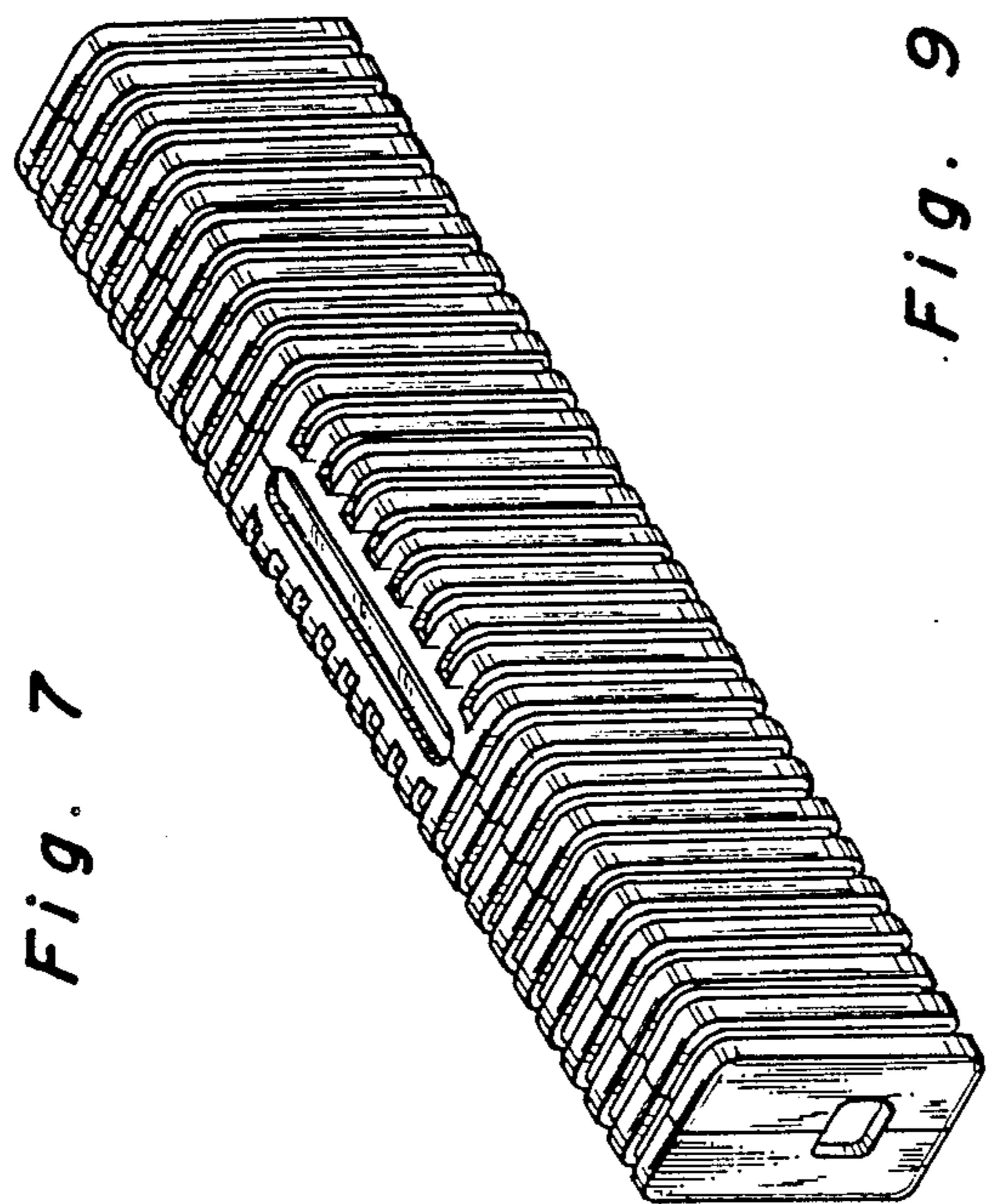


Fig. 7