

[54] TOOTHBRUSH AND CONTAINER SET

[76] Inventor: Emilio Ambasz, 295, Central Park West, New York, N.Y. 10024

[**] Term: 14 Years

[21] Appl. No.: 192,381

[22] Filed: May 10, 1988

[52] U.S. Cl. D4/108; D4/105

[58] Field of Search D4/100-101, D4/104-114, 199; D24/10-11; 15/167.1, 167.2, 167.3, 172, 159 R, 159 A, 176.1-176.6, 185, 143 R, 145; 132/308, 311; 206/361-362, 362.1-362.4

[56] References Cited

U.S. PATENT DOCUMENTS

- D. 221,828 9/1971 Yamada D4/108
- 2,673,641 3/1954 Carrillo 206/362.2
- 4,283,808 8/1981 Beebe 15/145

FOREIGN PATENT DOCUMENTS

- 2706061 8/1978 Fed. Rep. of Germany ... 206/362.1

Primary Examiner—Wallace R. Burke

Assistant Examiner—Lavone D. Tabor
Attorney, Agent, or Firm—Ostrolenk, Faber, Gerb & Soffen

[57] CLAIM

The ornamental design for a toothbrush and container set, as shown and described.

DESCRIPTION

FIG. 1 is a perspective view of a toothbrush and container set embodying my new design, a pair of identical toothbrushes being combined with each other;

FIG. 2 is a side elevational view thereof; the opposite side elevational view being a mirror image;

FIG. 3 is a top plan view thereof; the bottom plan view being a mirror image;

FIG. 4 is a left end elevational view thereof, the opposite end elevational view being a mirror image;

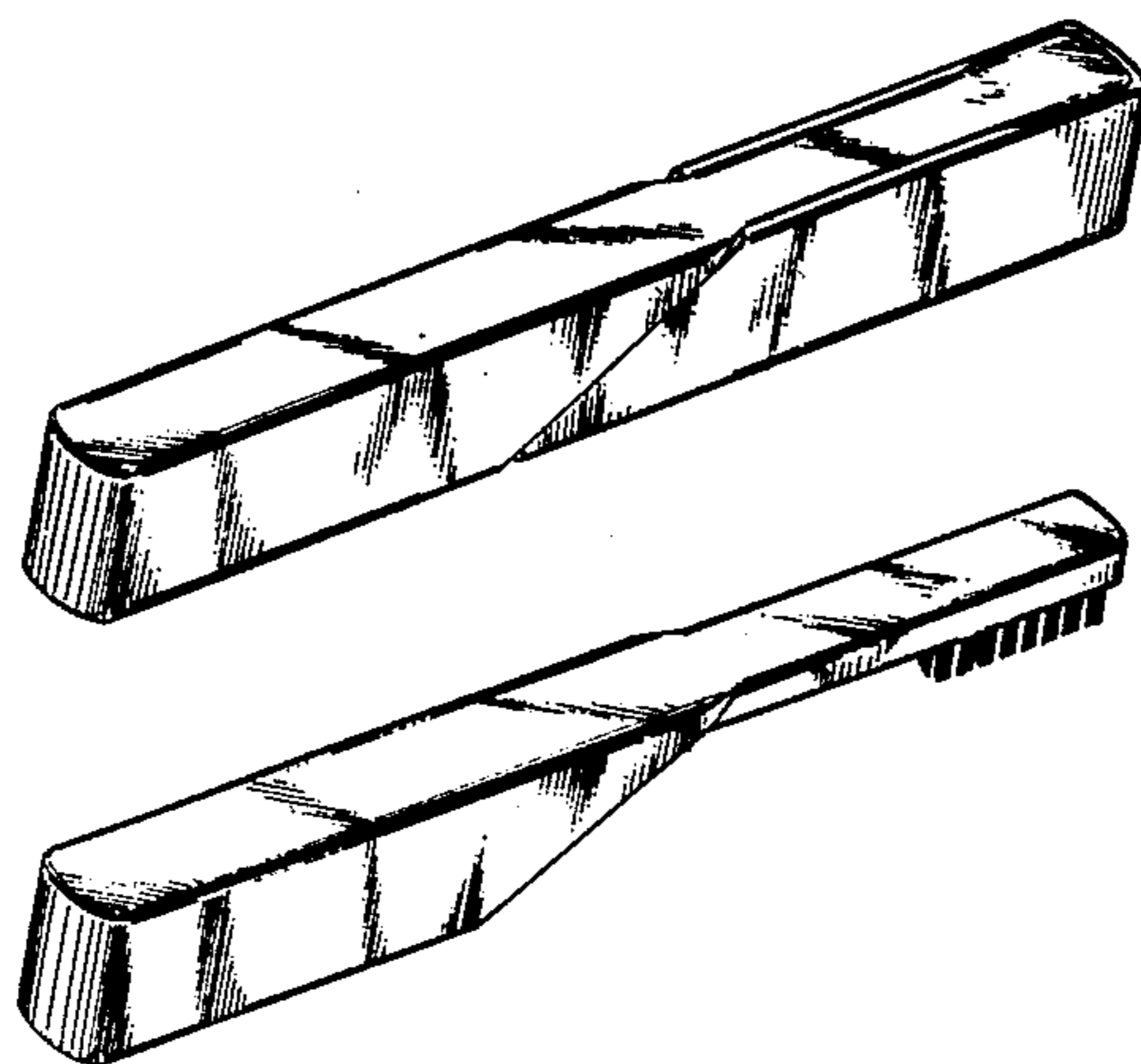
FIG. 5 is an exploded perspective view thereof, the pair of toothbrushes being separated from each other;

FIG. 6 is a side elevational view of one toothbrush, the opposite side elevational view being a mirror image, shown separately for clarity of illustration;

FIG. 7 is a top plan view thereof;

FIG. 8 is a bottom plan view thereof; and

FIG. 9 is a left end elevational view thereof.



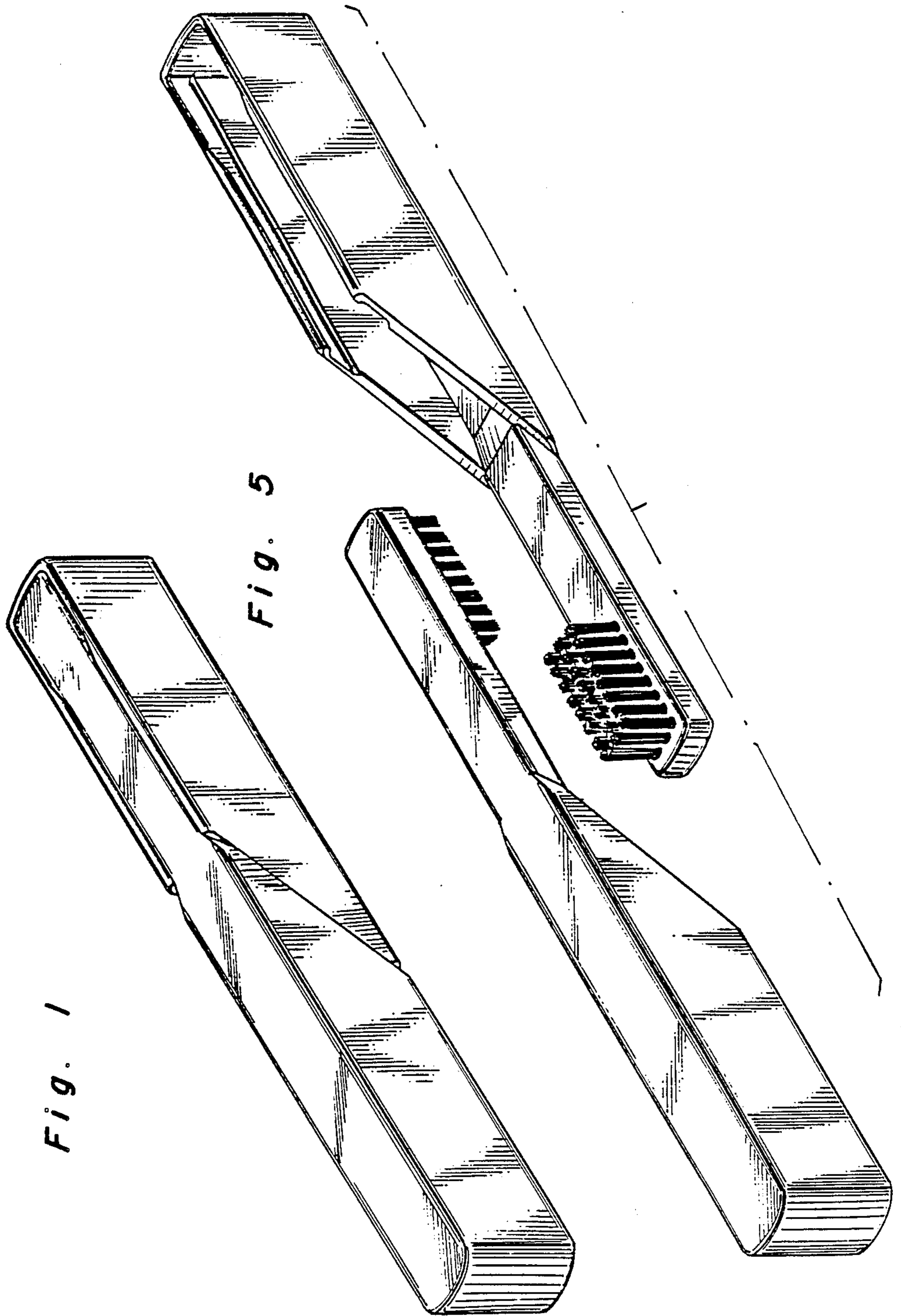


Fig. 2

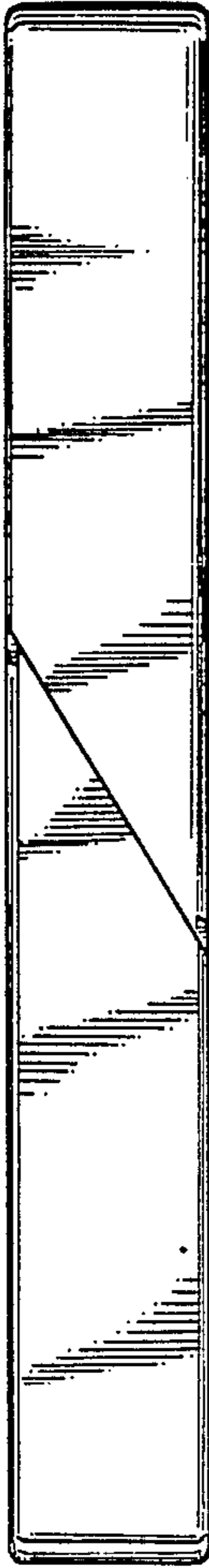


Fig. 3



Fig. 4

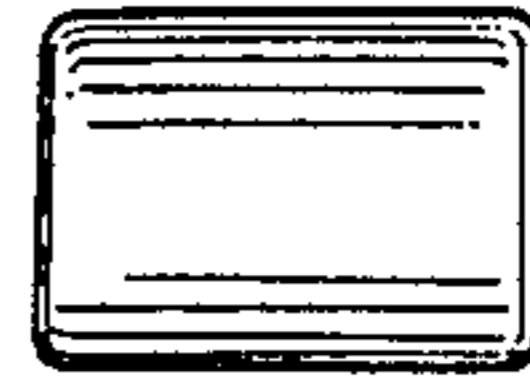


Fig. 6

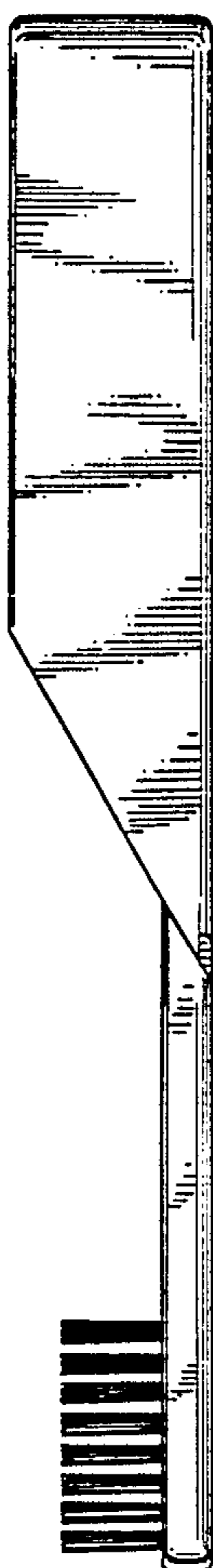


Fig. 7

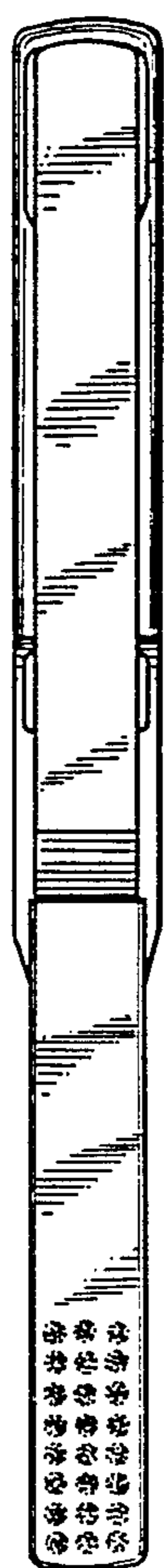


Fig. 8



Fig. 9

