

[54] **COMBINED SHOEHORN AND HOSIERY DONNING AID**

[76] **Inventor: Anthony Santore, 346 Third Ave., Pelham, N.Y. 10803**

[**] **Term: 14 Years**

[21] **Appl. No.: 57,821**

[22] **Filed: Jun. 2, 1987**

[52] **U.S. Cl. D2/642**

[58] **Field of Search D2/641, 642; 223/113, 223/118, 119**

[56] **References Cited**

U.S. PATENT DOCUMENTS

D. 275,239	8/1984	Raso	D2/641
732,854	7/1903	Hepner	223/118
969,944	9/1910	Davidoff	223/118
3,165,246	1/1965	Stearns	223/118

FOREIGN PATENT DOCUMENTS

393203 12/1908 France 223/113

Primary Examiner—Louis S. Zarfaz
Assistant Examiner—R. T. Seifert
Attorney, Agent, or Firm—Darby & Darby

[57] **CLAIM**

The ornamental design for a combined shoehorn and hosiery donning aid, as shown.

DESCRIPTION

FIG. 1 is a perspective view of a combined shoehorn and hosiery donning aid showing my new design;
FIG. 2 is a top plan view;
FIG. 3 is a side elevational view;
FIG. 4 is a bottom plan view;
FIG. 5 is a rear elevational view; and
FIG. 6 is a front elevational view.

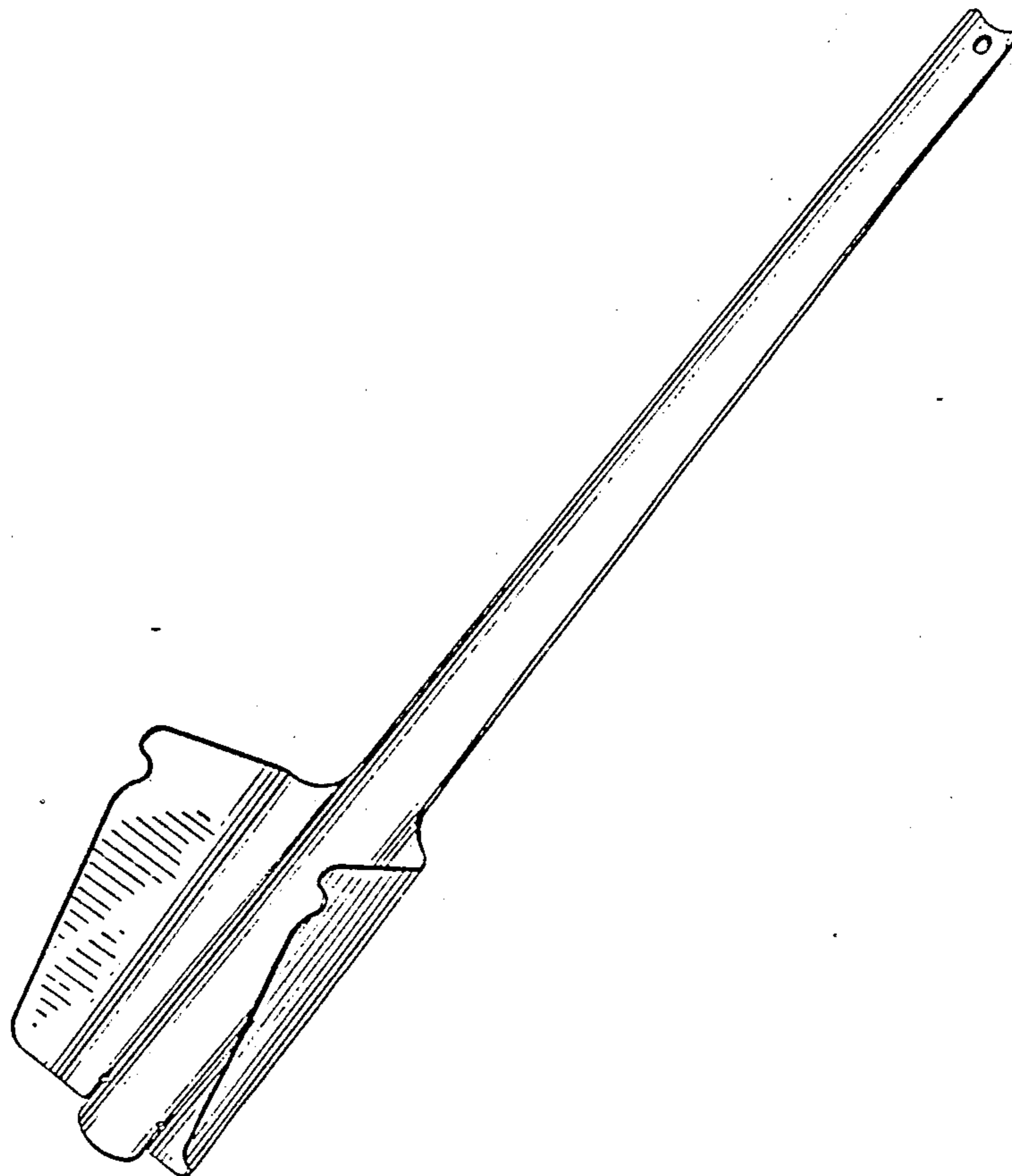


Fig. 5.

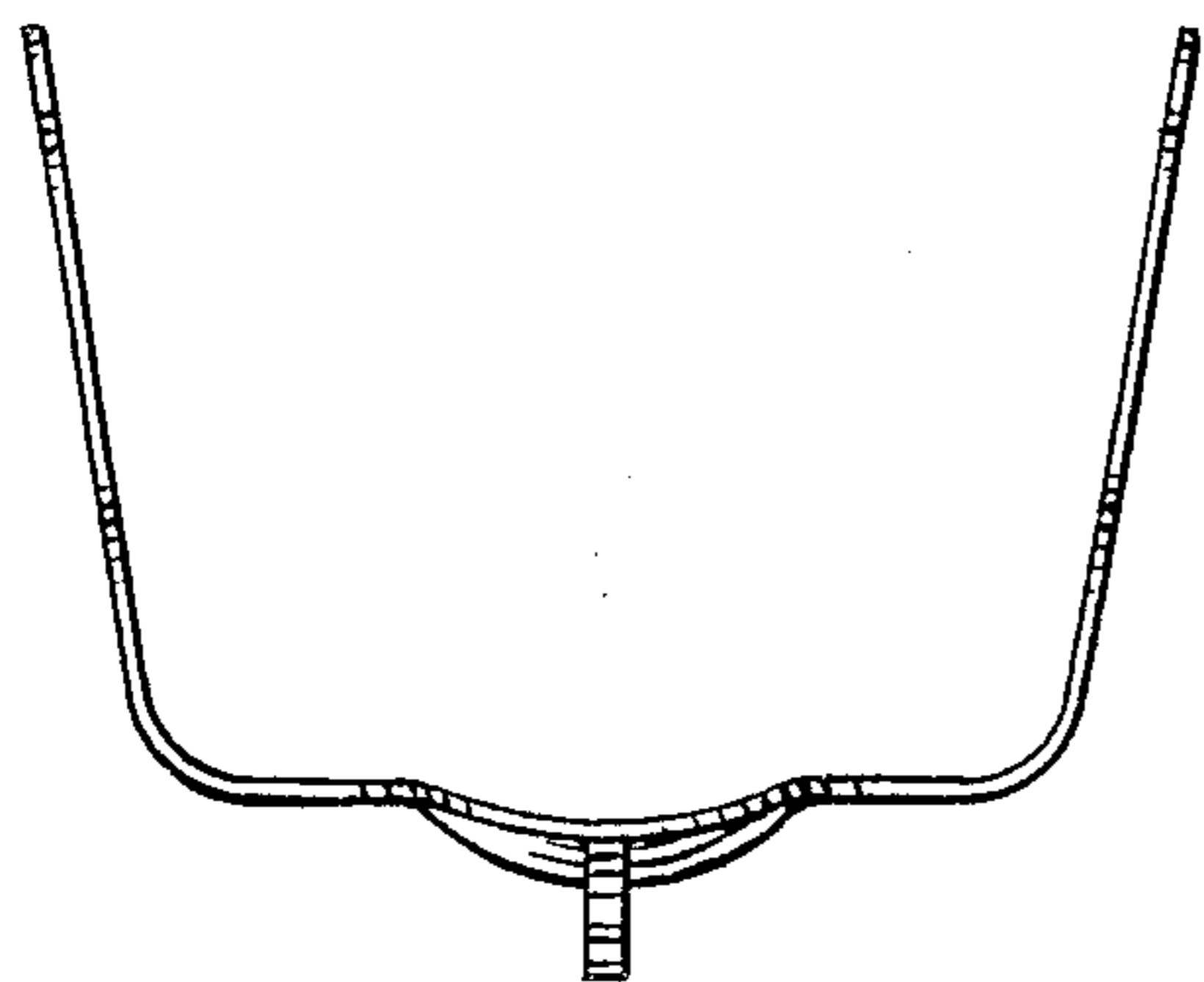


Fig. 1.

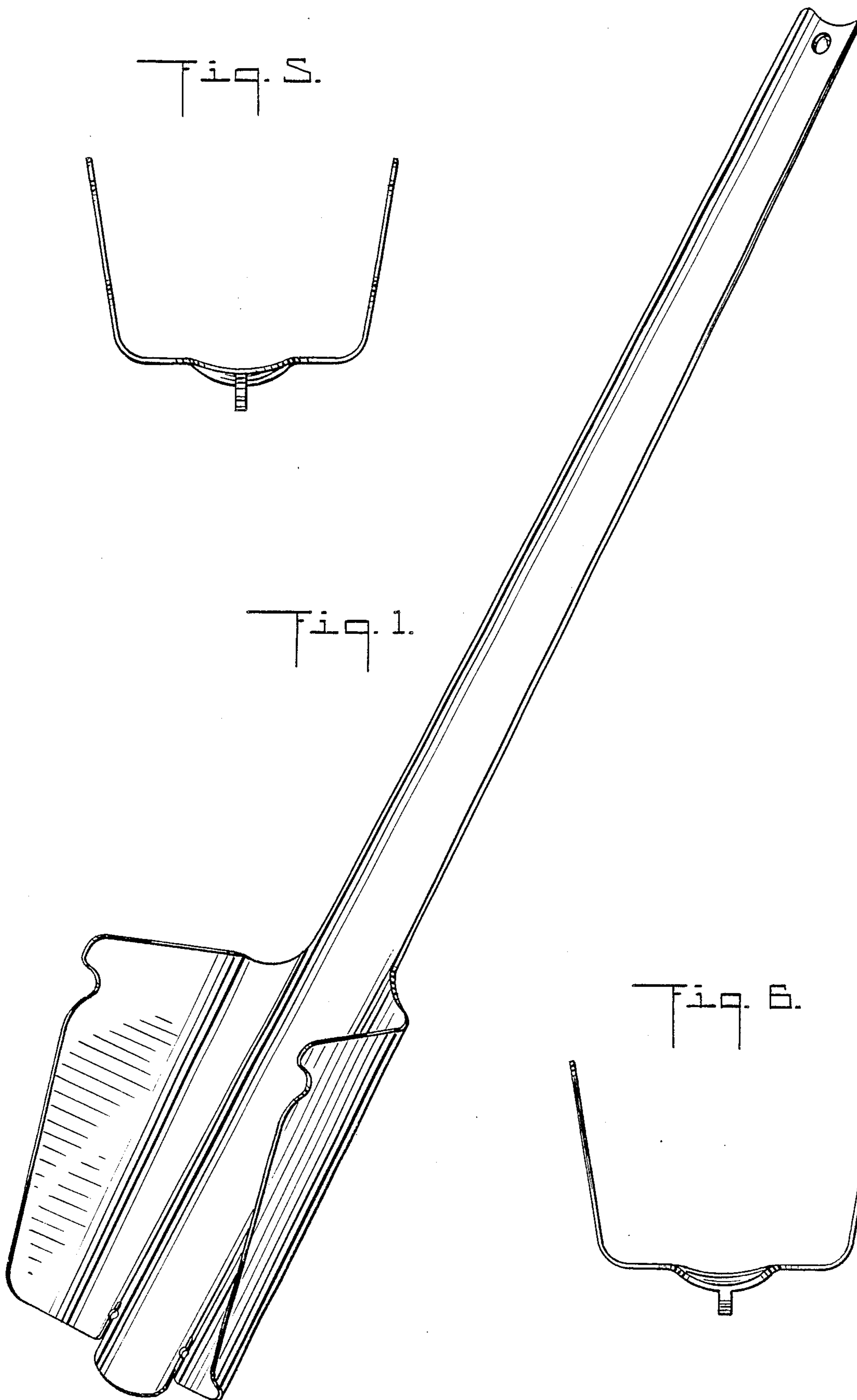
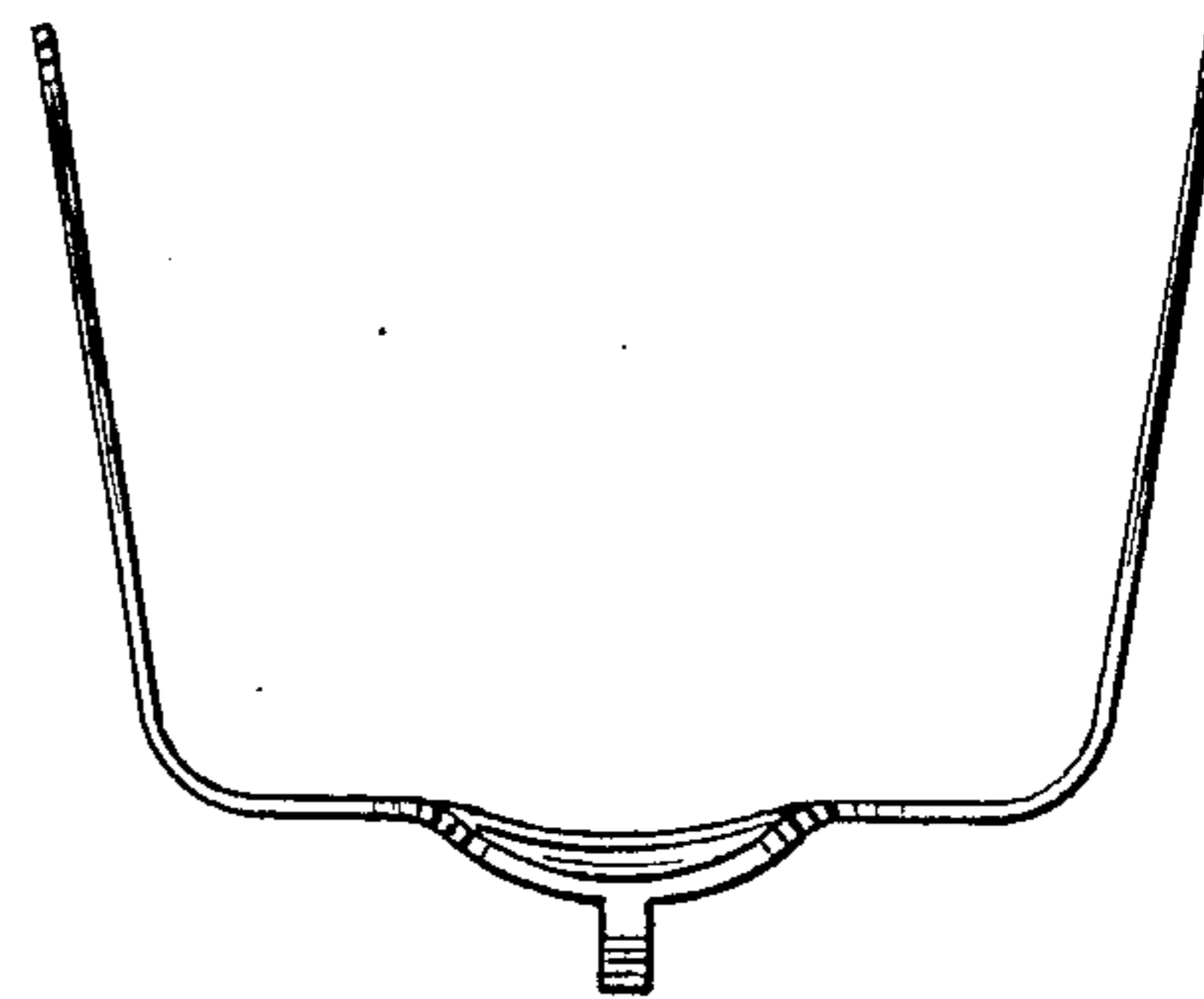


Fig. 6.



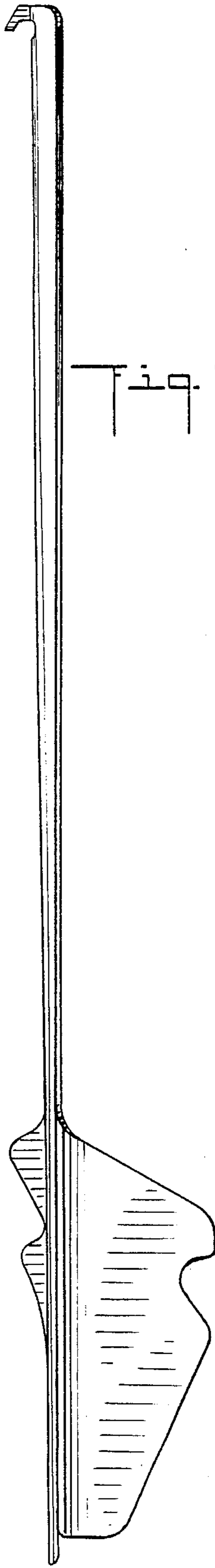
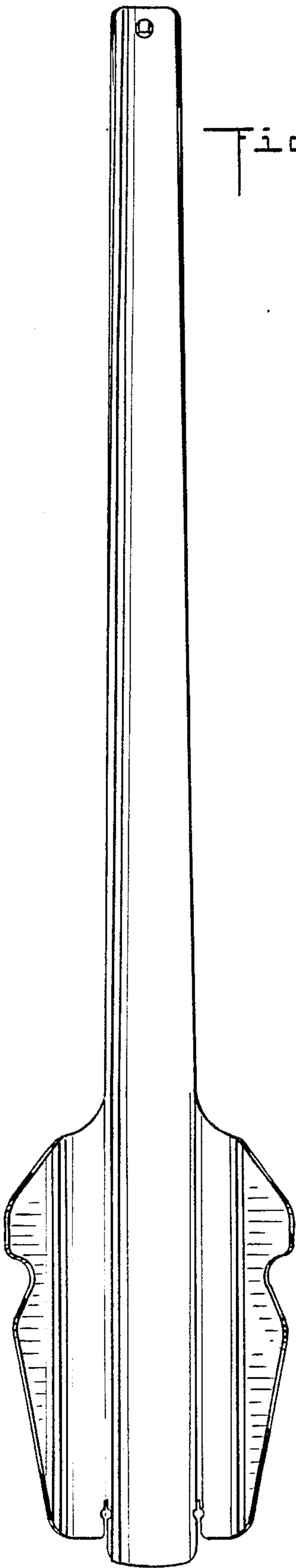


Fig. 4.

