

[54] **CART FOR SNOWMOBILES OR THE LIKE**
 [75] Inventor: **George N. Dinges**, Mead, Wash.
 [73] Assignee: **Pattco, Inc.**, Mead, Wash.
 [**] Term: **14 Years**
 [21] Appl. No.: **184,155**
 [22] Filed: **Apr. 21, 1988**
 [52] U.S. Cl. **D34/12; D34/23**
 [58] Field of Search **D34/12, 23, 24, 26, D34/27; D12/6, 11; 280/79.11, 47.15**

4,288,087 9/1981 Morrison 280/79.11
 4,350,470 9/1982 Murillo 280/79.11

Primary Examiner—Wallace R. Burke
Assistant Examiner—Kay H. Chin
Attorney, Agent, or Firm—Wells, St. John & Roberts

[57] **CLAIM**

The ornamental design for a cart for snowmobiles or the like, as shown and described.

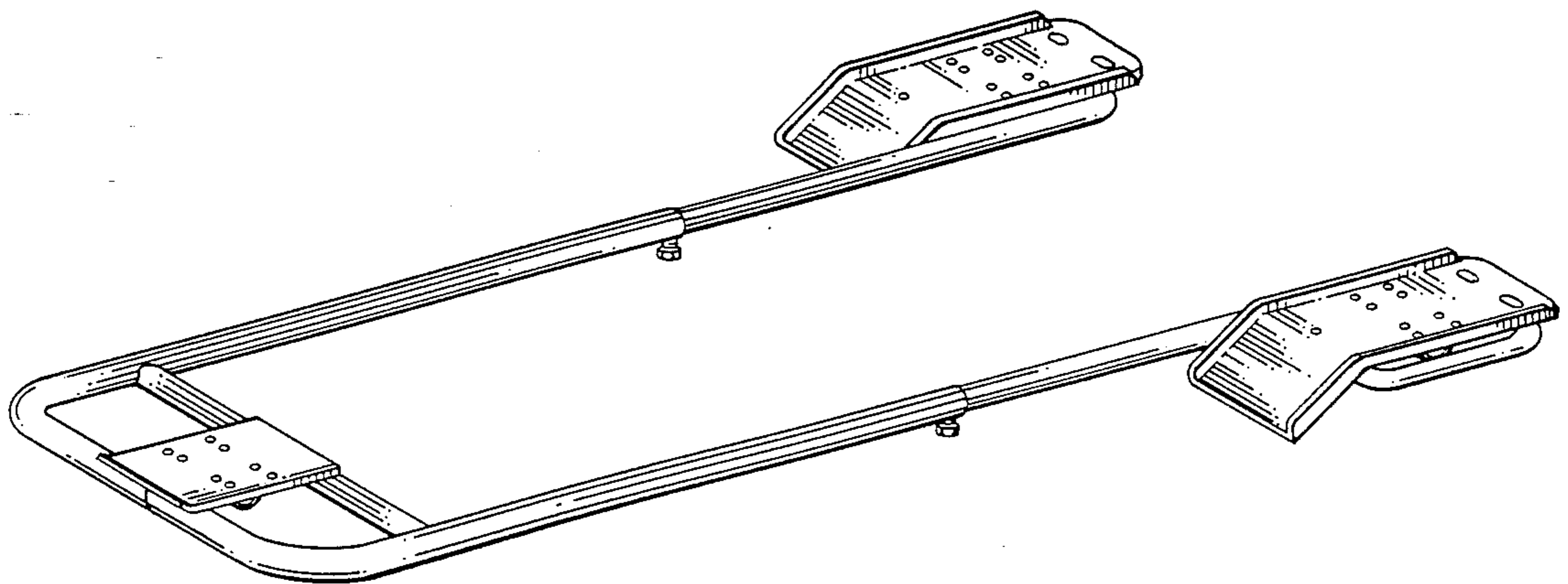
DESCRIPTION

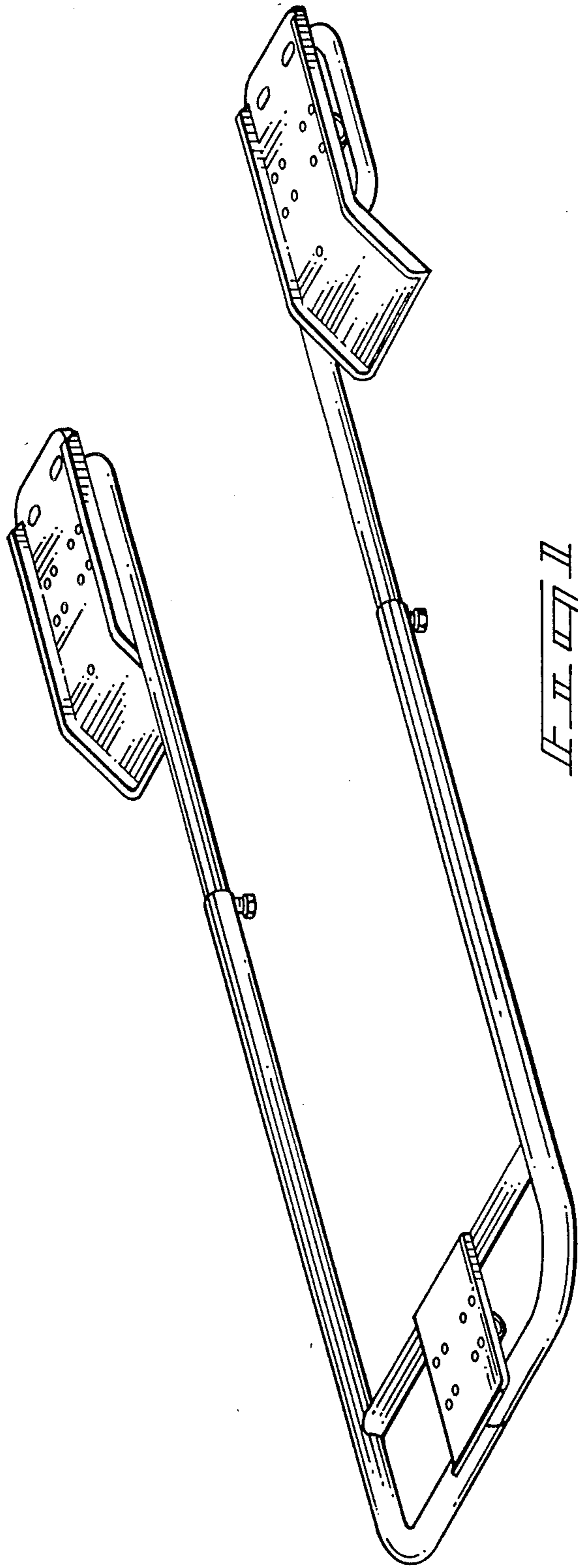
FIG. 1 is a front and top perspective view of a cart for snowmobiles or the like showing my new design;
 FIG. 2 is a top plan view thereof;
 FIG. 3 is a bottom plan view thereof;
 FIG. 4 is a side elevational view thereof, the opposite side view being a mirror image of that shown;
 FIG. 5 is a rear elevation view thereof; and
 FIG. 6 is a front elevation view thereof.

[56] **References Cited**

U.S. PATENT DOCUMENTS

3,437,354 4/1969 Hetteen 280/47.15
 3,633,774 1/1972 Lee 214/152
 3,881,740 5/1975 Johnson et al. 280/79.1
 3,897,959 8/1975 Haffner 280/47.15





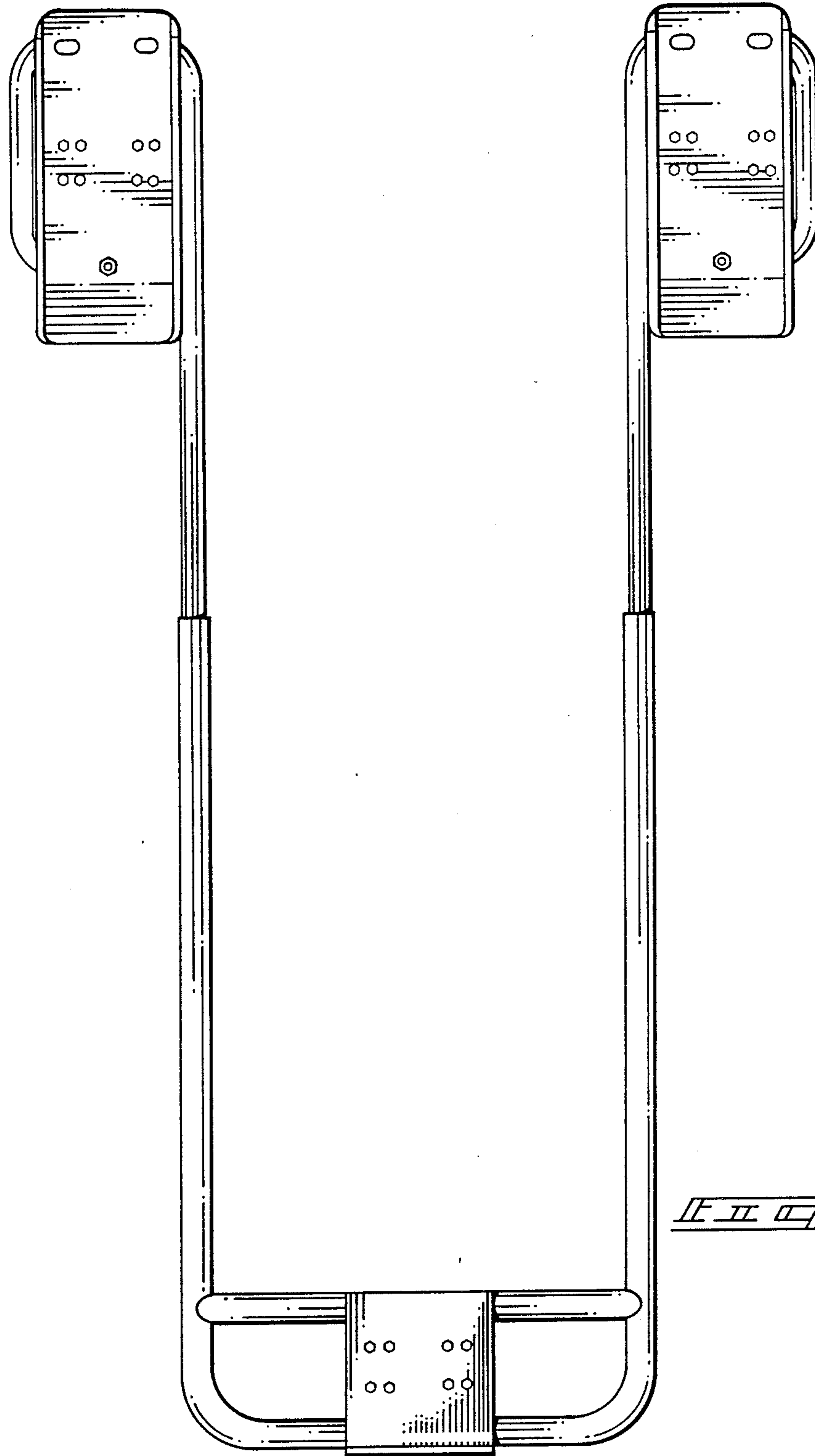


FIG. 2

