

[54] WASTE RECEPTACLE

3,115,986 12/1963 Groff ..... D34/9

[75] Inventor: Robert S. Anderson, Wauconda, Ill.

Primary Examiner—Wallace R. Burke

[73] Assignee: Premium Plastics, Inc., Chicago, Ill.

Assistant Examiner—Kay H. Chin

[\*\*] Term: 14 Years

Attorney, Agent, or Firm—Dressler, Goldsmith, Shore,  
Sutker & Milnamow, Ltd.

[21] Appl. No.: 162,465

[57] CLAIM

[22] Filed: Mar. 1, 1988

The ornamental design for a waste receptacle, as shown  
and described.

[52] U.S. Cl. .... D34/9; D34/7

[58] Field of Search ..... D34/1, 9, 7, 8, 11;  
220/1 T, 206, 262, 263; 232/1 B

DESCRIPTION

[56] References Cited

U.S. PATENT DOCUMENTS

- D. 261,720 11/1981 Brazis ..... D34/9
- D. 288,019 1/1987 Gebhart et al. .... D34/9
- 2,071,486 2/1937 Wright ..... D34/9
- 2,351,597 6/1944 Burlin ..... 220/262

FIG. 1 is a top and front perspective view of a waste receptacle showing my new design;  
 FIG. 2 is a left side elevational view thereof;  
 FIG. 3 is a front elevational view thereof;  
 FIG. 4 is a right side elevational view thereof;  
 FIG. 5 is a rear elevational view thereof;  
 FIG. 6 is a top plan view thereof; and  
 FIG. 7 is a bottom plan view thereof.

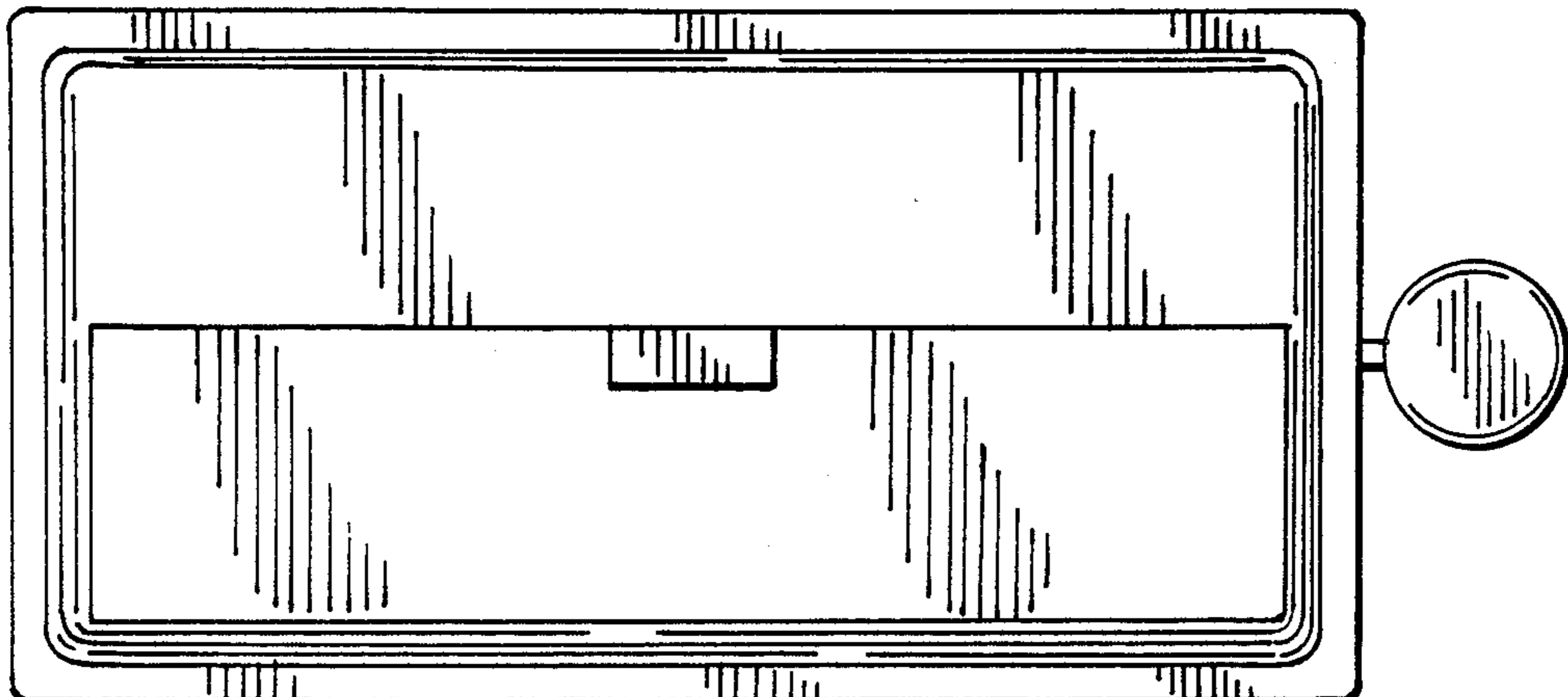
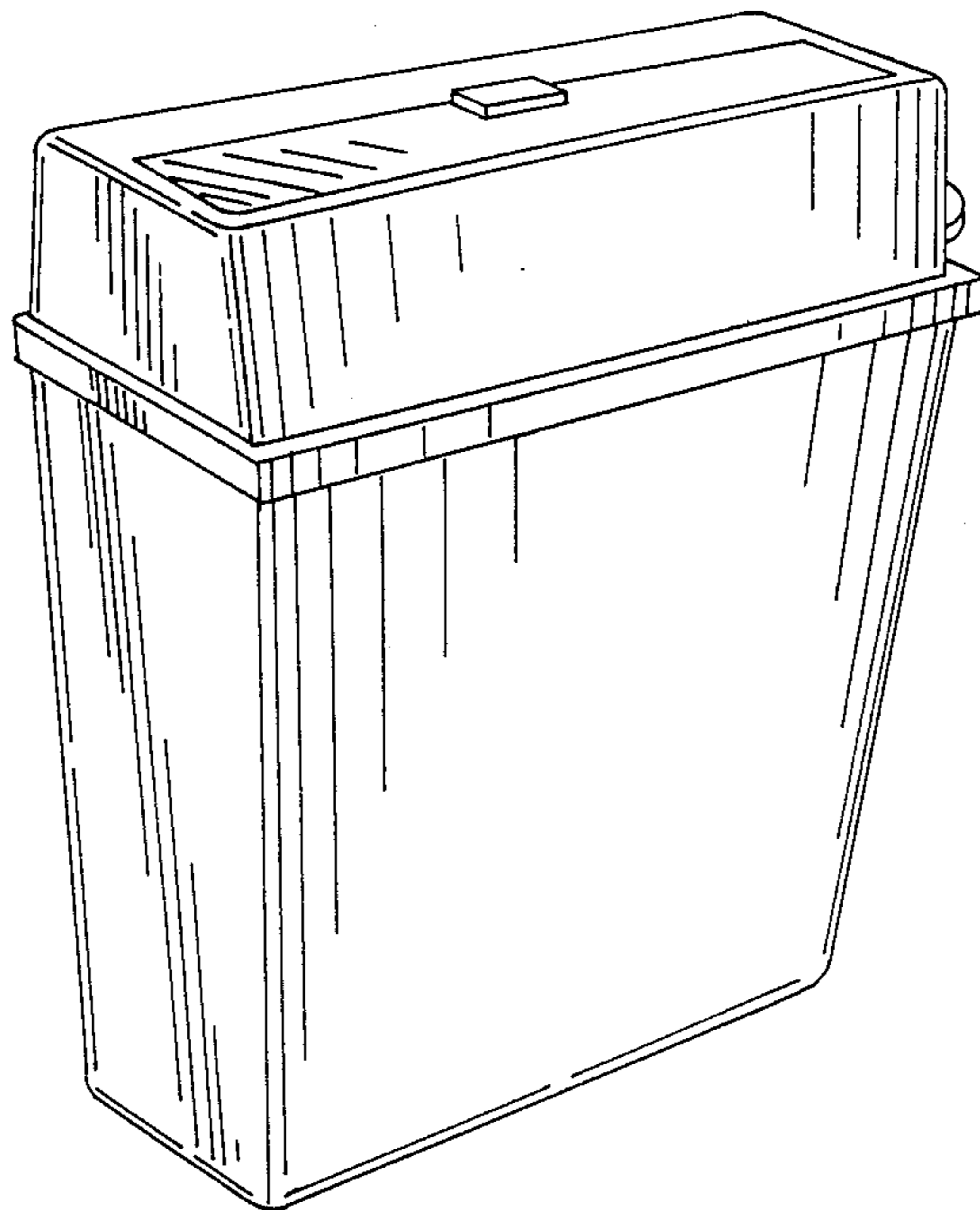


FIG. 1

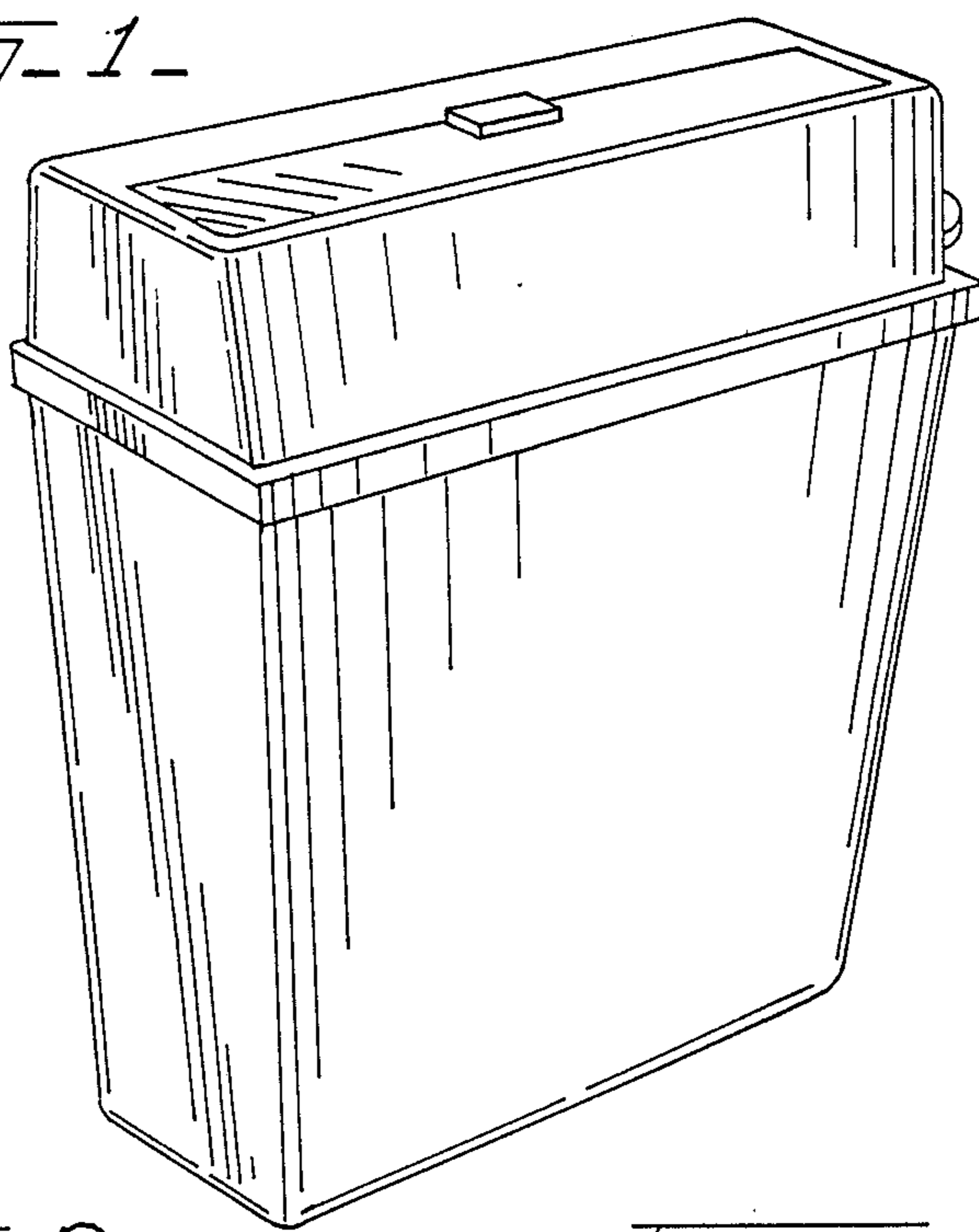


FIG. 2

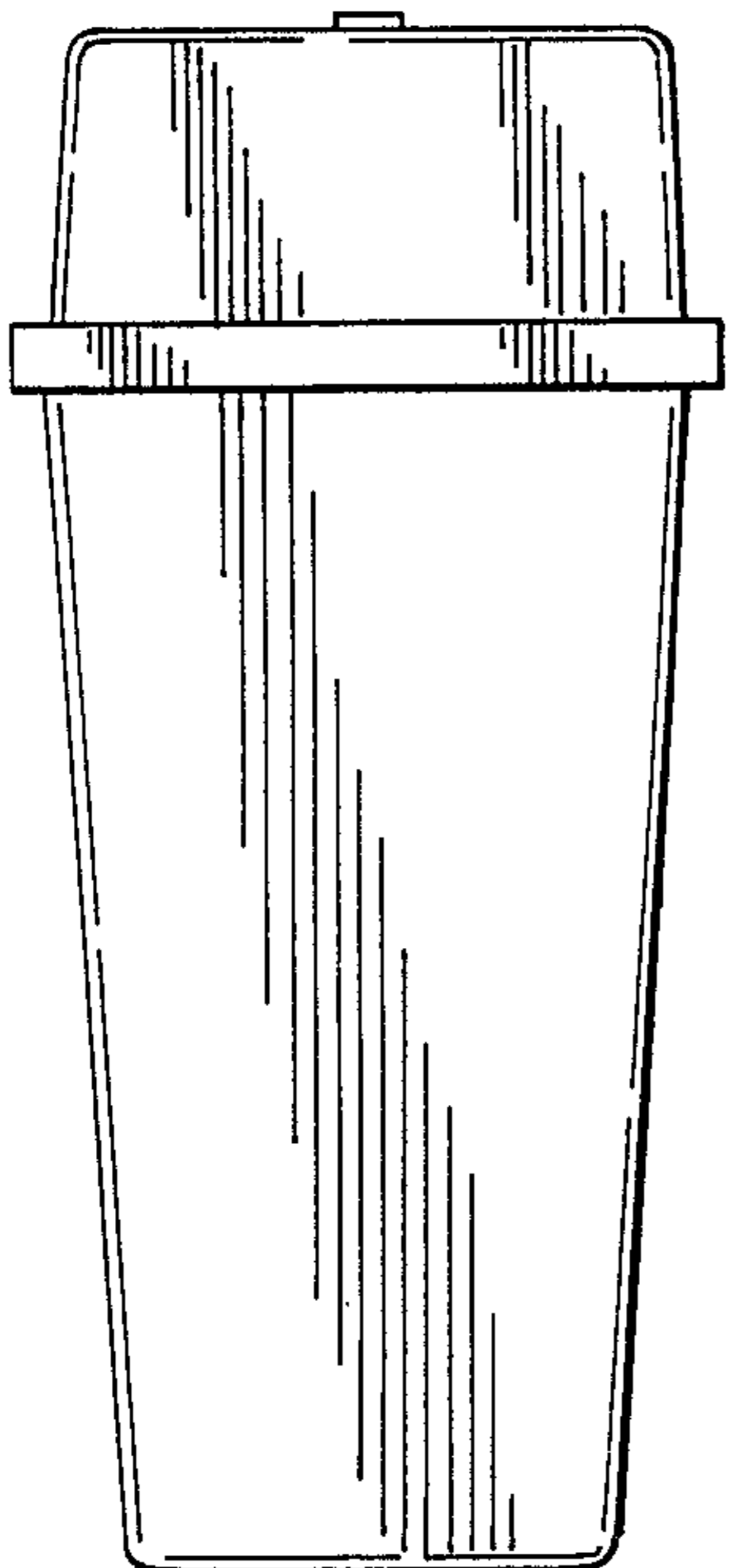


FIG. 3

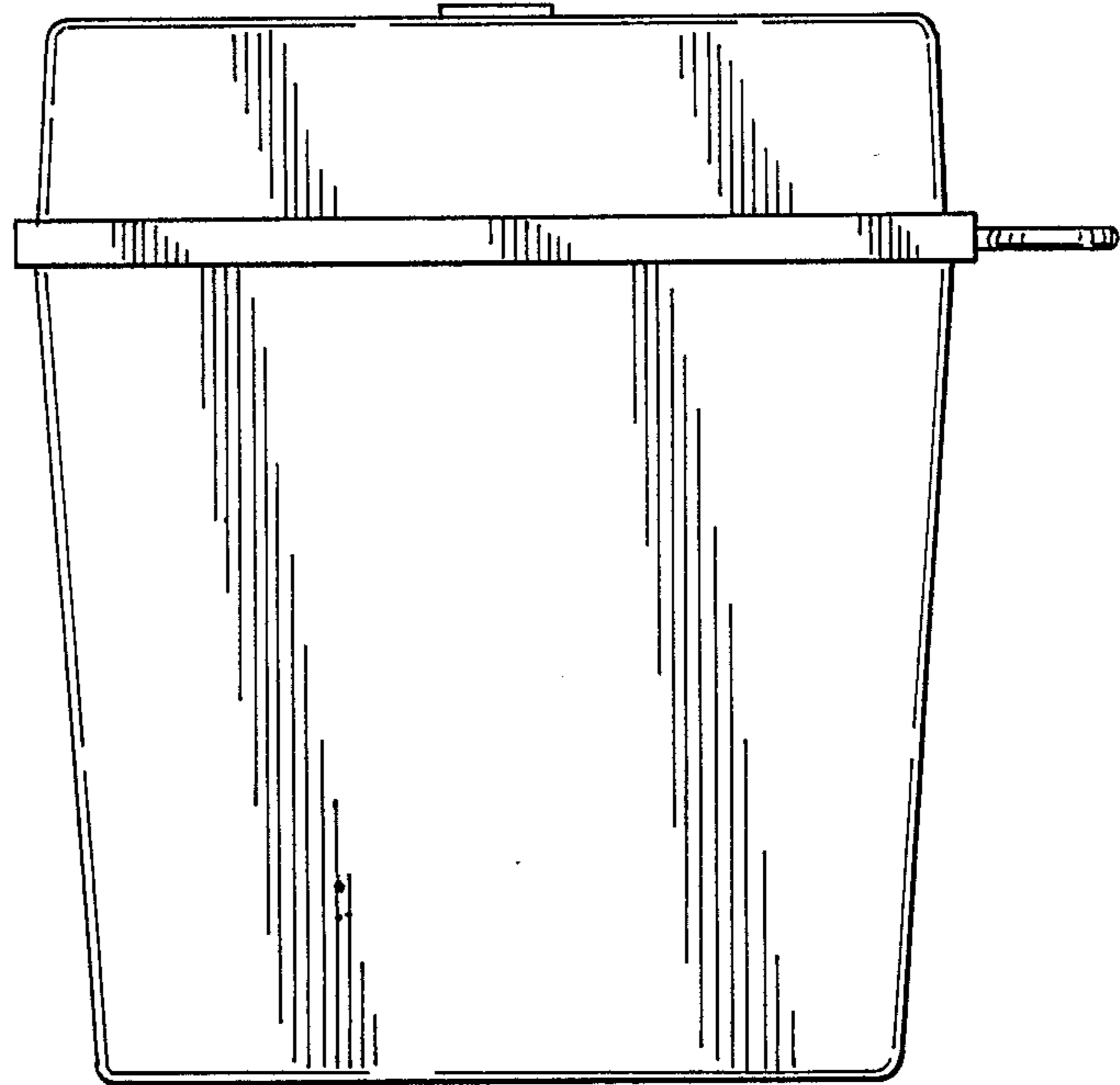


FIG. 4.

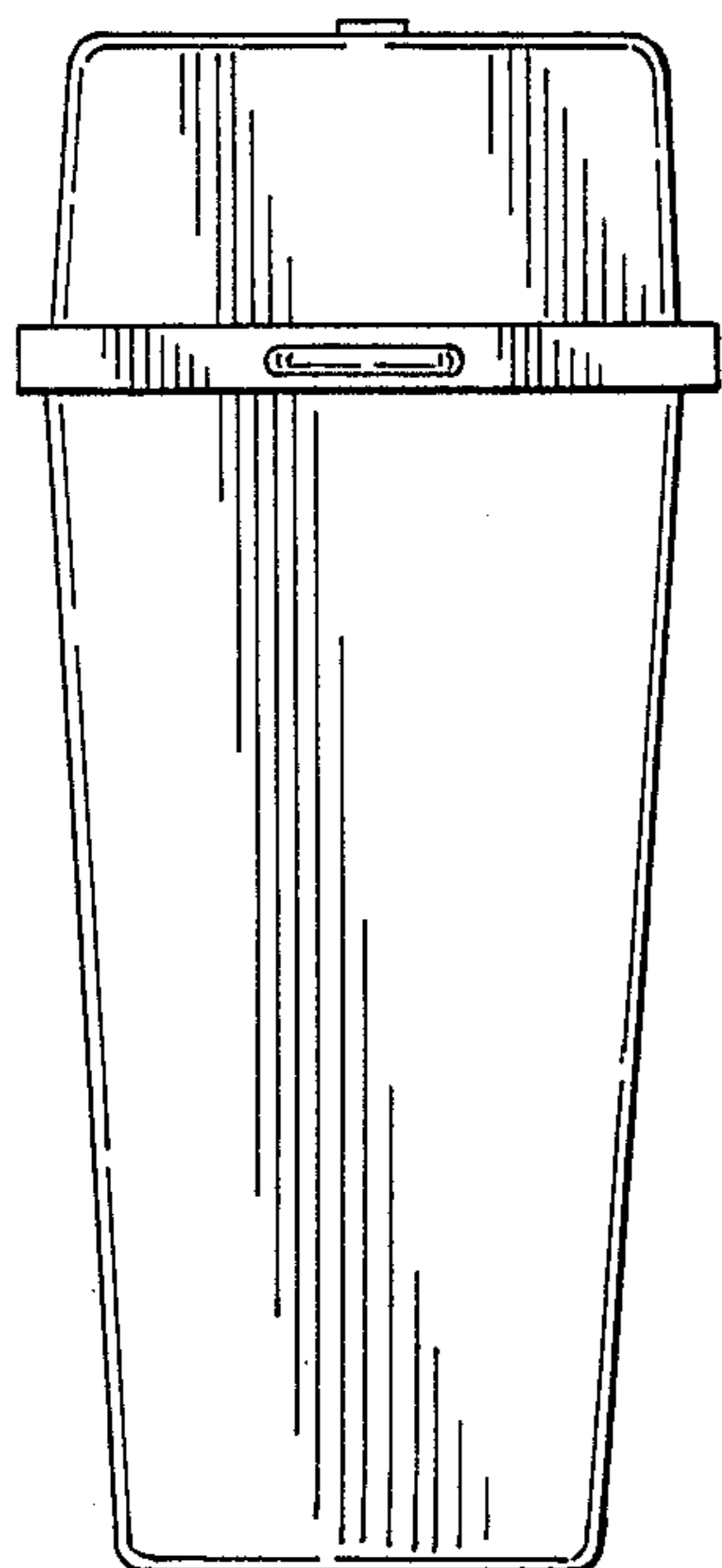


FIG. 5.

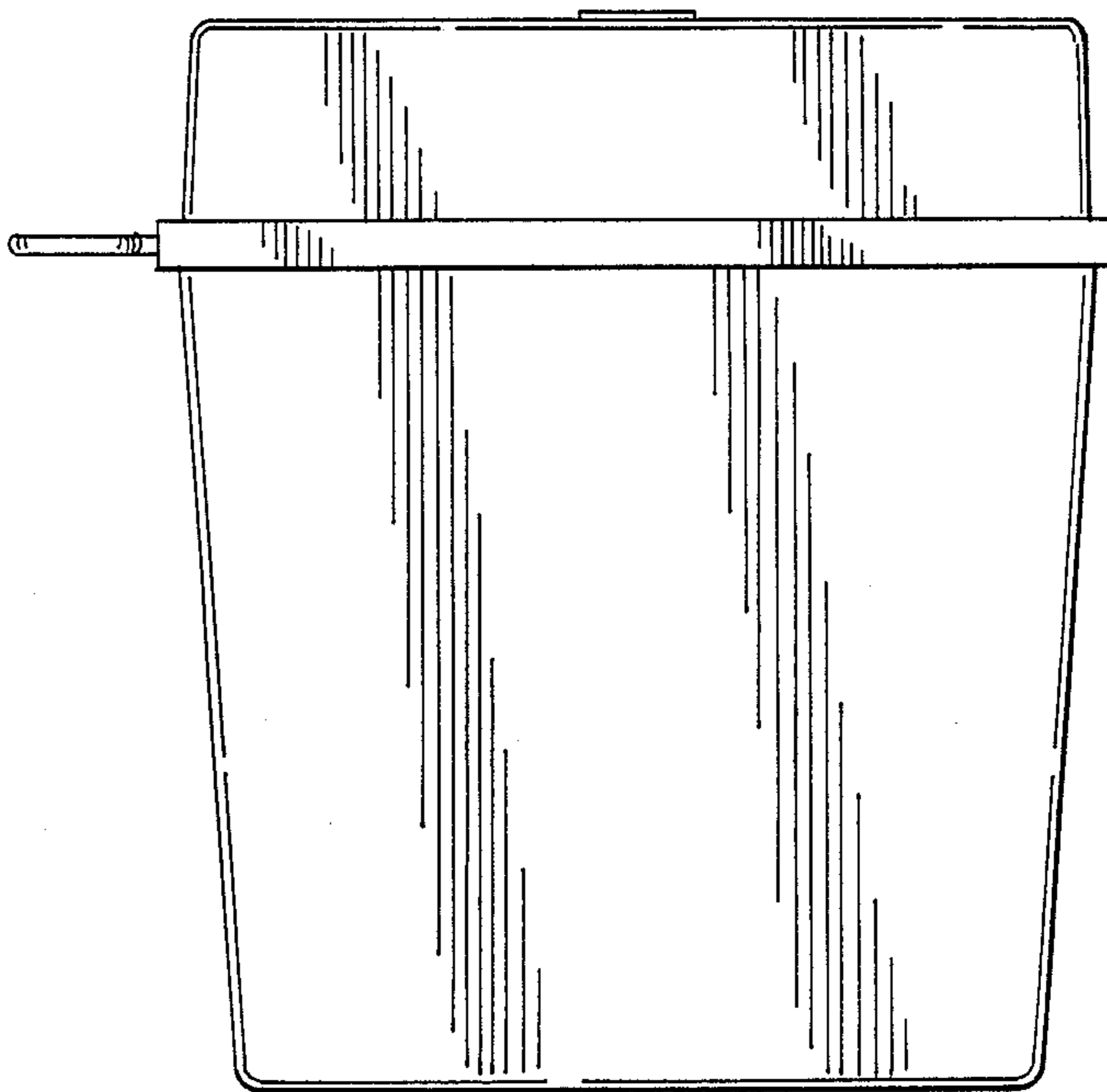


FIG. 6.

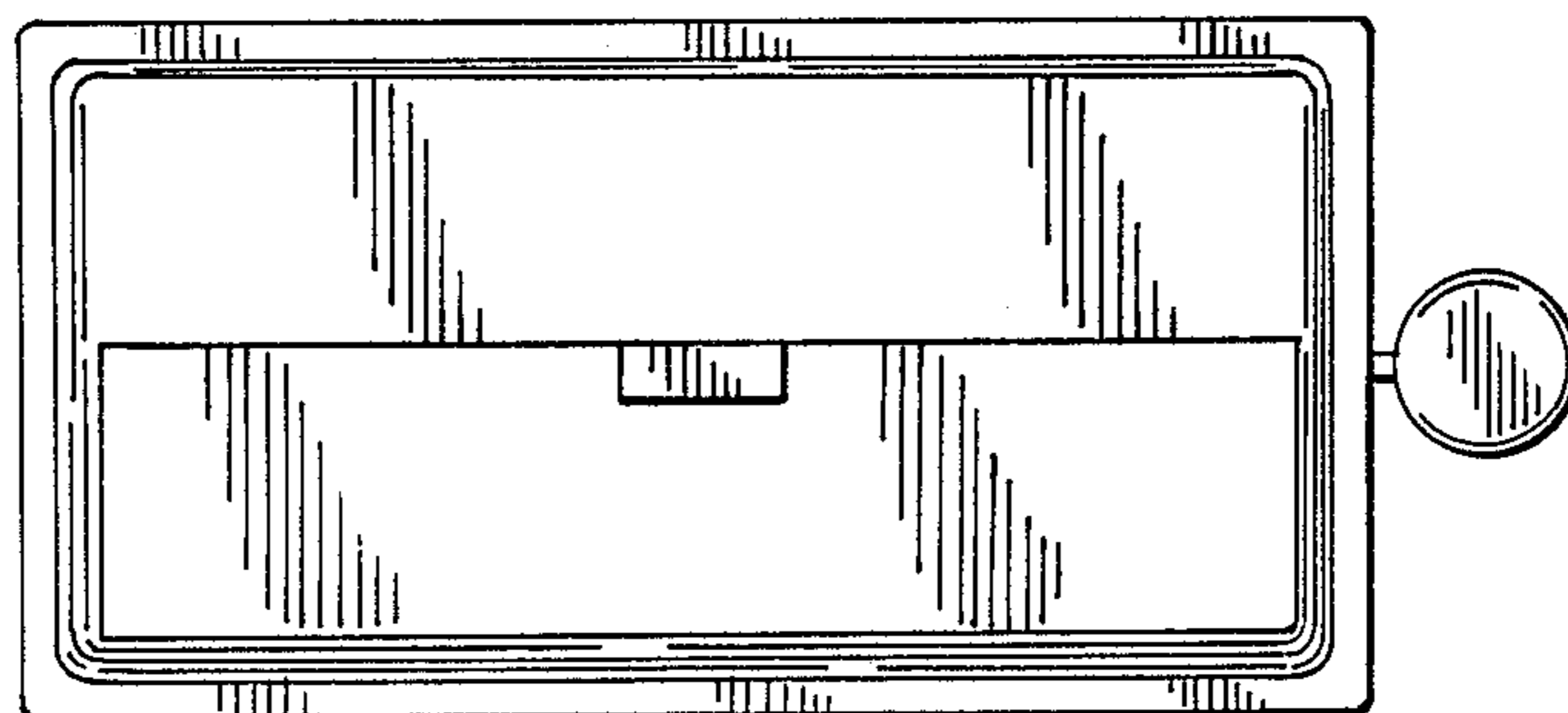


FIG. 7.

