

[54] HORSESHOE FOR A FRONT HOOF

[76] Inventor: Joseph Kulak, 73 Beull St., New Britain, Conn. 06051

[*] Notice: The portion of the term of this patent subsequent to Sep. 25, 2004 has been disclaimed.

[**] Term: 14 Years

[21] Appl. No.: 203,873

[22] Filed: Jun. 8, 1988

[52] U.S. Cl. D30/147; 168/4

[58] Field of Search D30/146-150; D21/4, 50, 51; 168/4-16; 59/36, 70

[56] References Cited

U.S. PATENT DOCUMENTS

D. 29,938	1/1899	Paar	D30/147
D. 128,657	8/1941	Wheeler et al.	D30/147
D. 268,445	3/1983	Charlson	D30/147
D. 268,534	4/1983	Charlson	D30/147
2,103,718	12/1937	Goodwin	168/12
2,543,330	2/1951	Nardon	59/36
3,794,120	2/1974	Charlson	D30/148

Primary Examiner—James R. Largen
 Assistant Examiner—Cathy Anne MacCormac
 Attorney, Agent, or Firm—Hayes & Reinsmith

[57] CLAIM

The ornamental design for a horseshoe for a front hoof, as shown and described.

DESCRIPTION

FIG. 1 is a front elevational view of a horseshoe for a front hoof showing my new design;
 FIG. 2 is a bottom plan view thereof;
 FIG. 3 is a fragmentary side elevational view taken along line 3—3 of FIG. 2;
 FIG. 4 is a side elevational view of FIG. 1, the opposite side being a mirror image of the side shown;
 FIG. 5 is a cross sectional view taken on line 5—5 of FIG. 3;
 FIG. 6 is a front elevational view of a second embodiment of the horseshoe for a front hoof shown in FIG. 1;
 FIG. 7 is a bottom plan view of FIG. 6;
 FIG. 8 is a fragmentary side elevational view taken along line 8—8 of FIG. 7;
 FIG. 9 is a side elevational view of FIG. 6, the opposite side being a mirror image of the side shown;
 FIG. 10 is a cross sectional view taken on line 10—10 of FIG. 8;
 FIG. 11 is a front elevational view of a third embodiment of the front horseshoe shown in FIG. 1;
 FIG. 12 is a bottom plan view of FIG. 11;
 FIG. 13 is a fragmentary side elevational view taken along line 13—13 of FIG. 12;
 FIG. 14 is a side elevational view of FIG. 11, the opposite side being a mirror image of the side shown; and
 FIG. 15 is a cross sectional view taken on line 15—15 of FIG. 13.

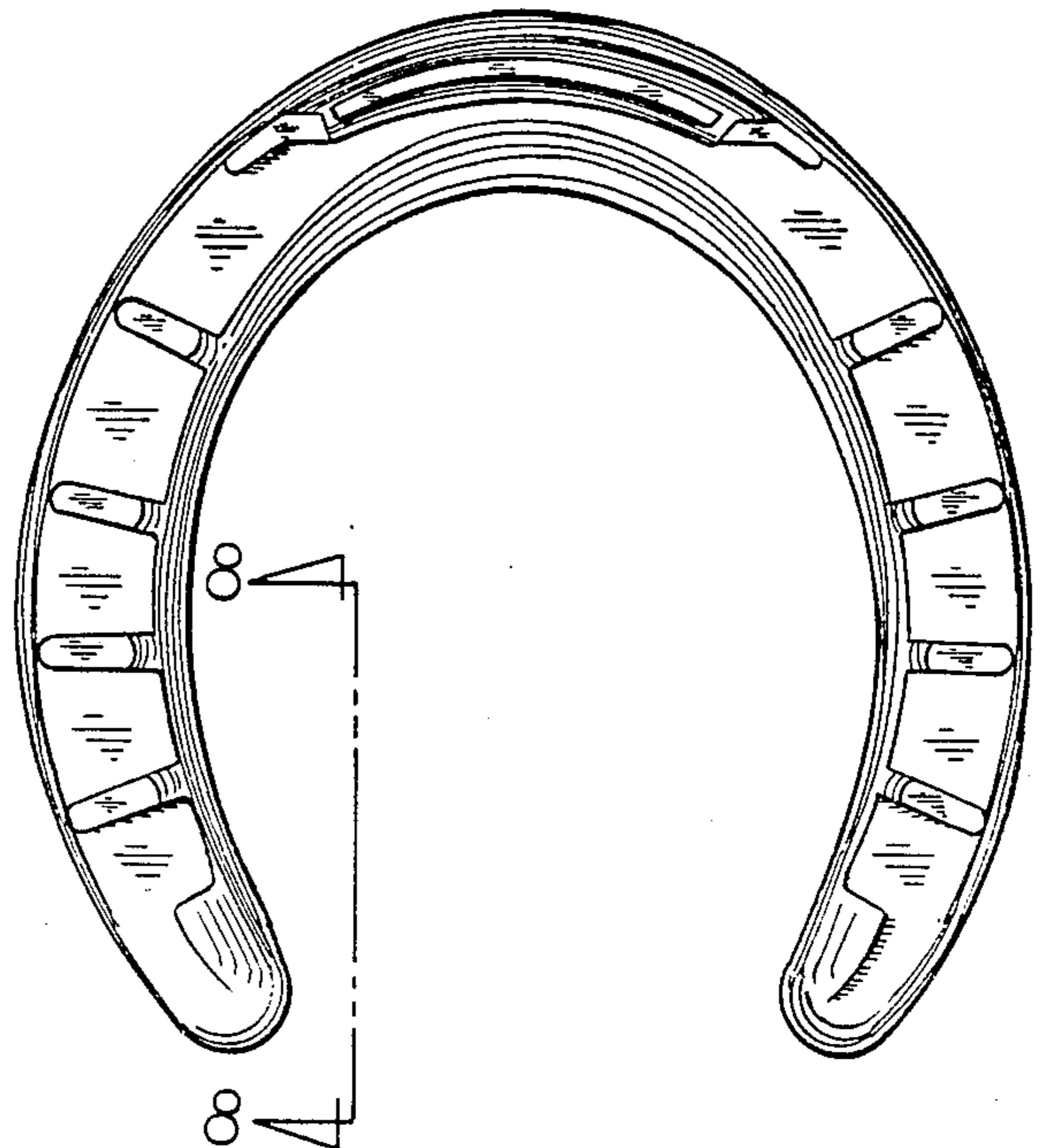
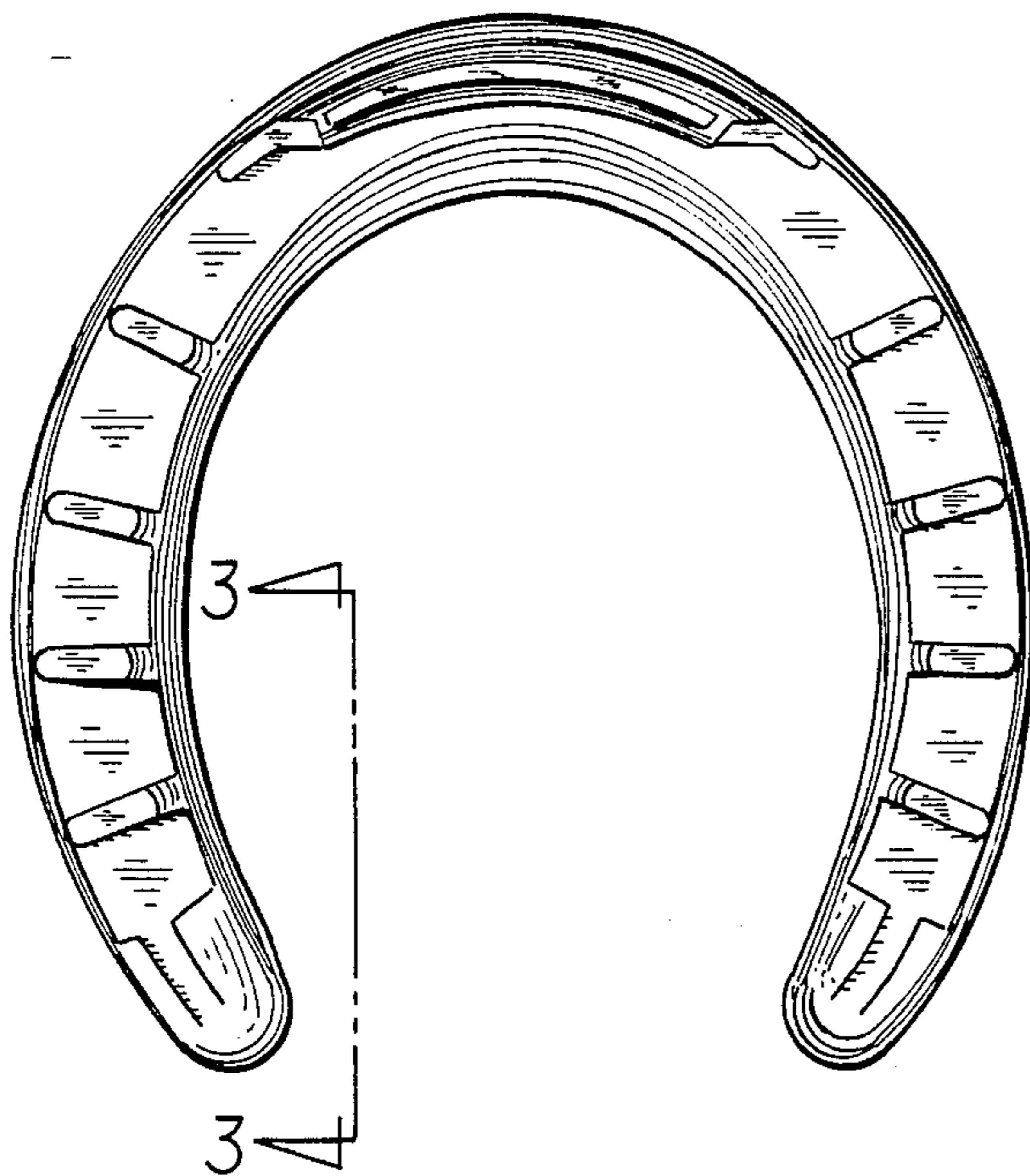


FIG. 1

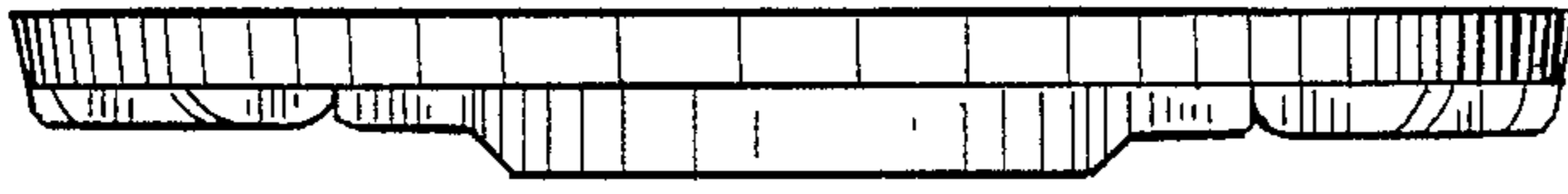


FIG. 2

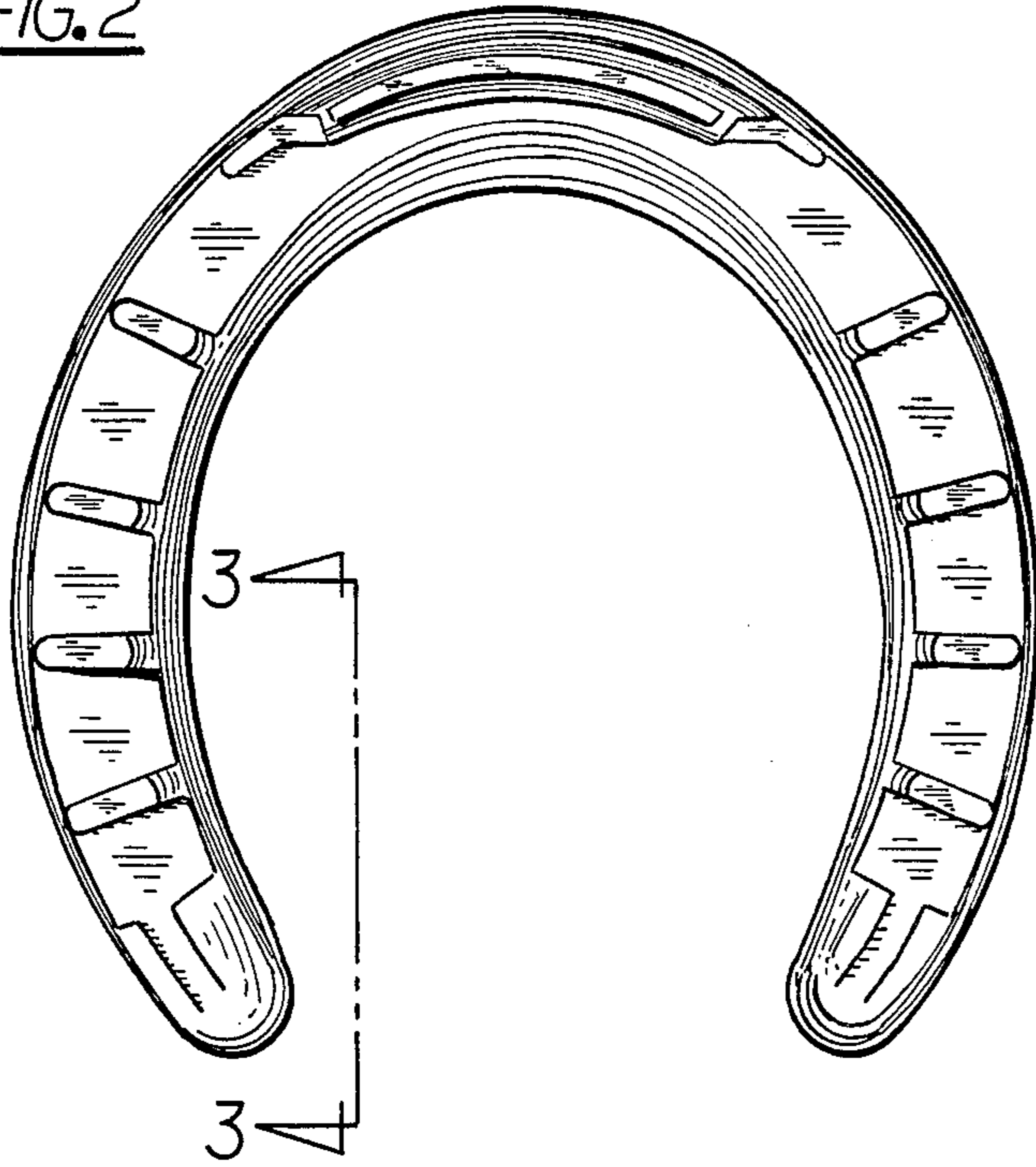


FIG. 4



FIG. 3

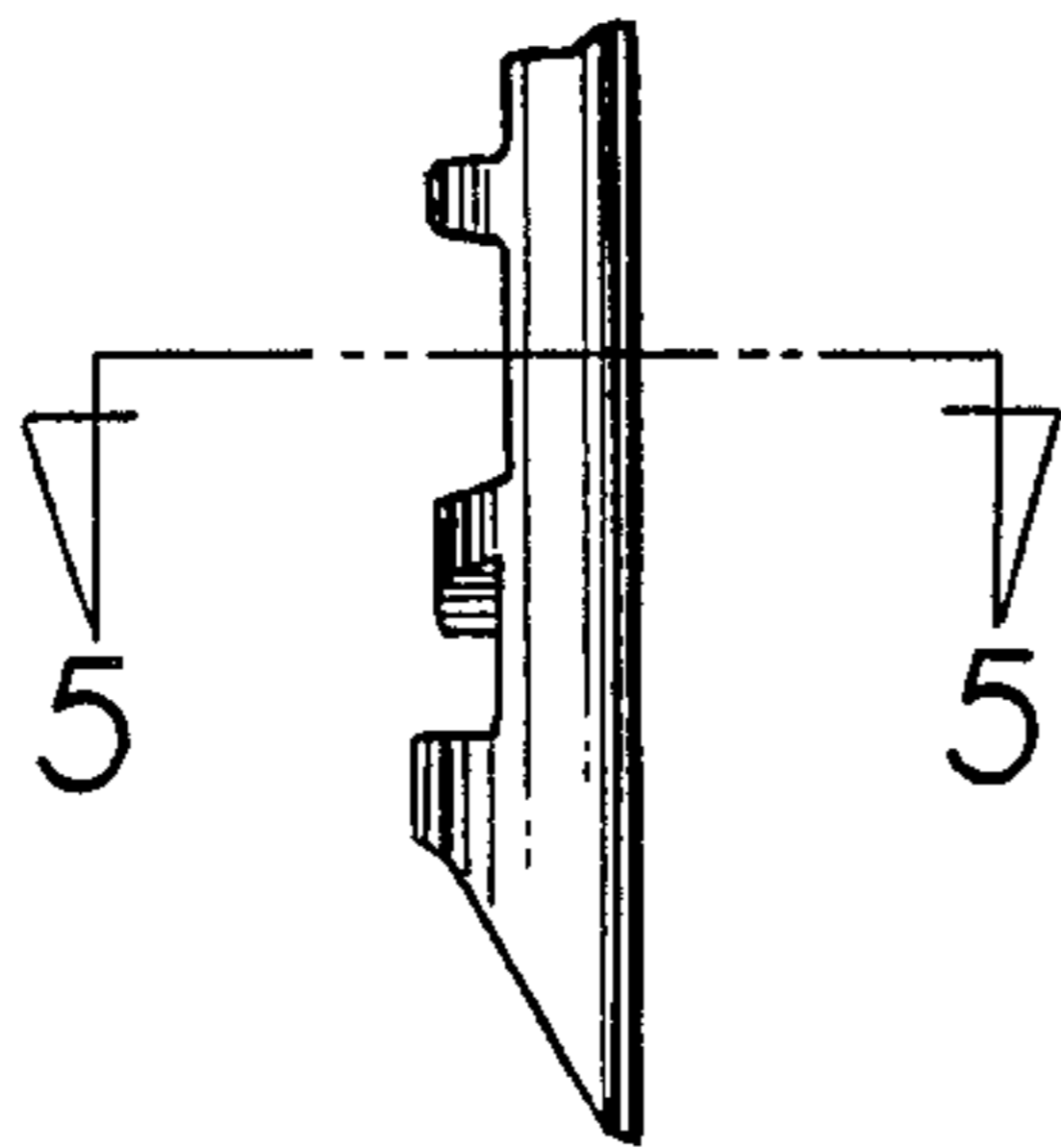


FIG. 5



FIG. 6

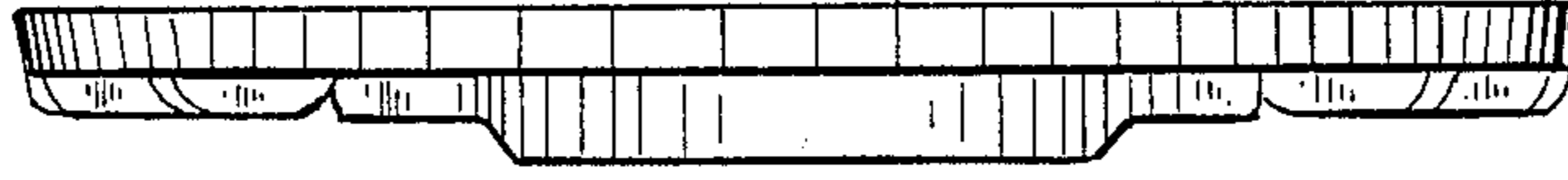


FIG. 7

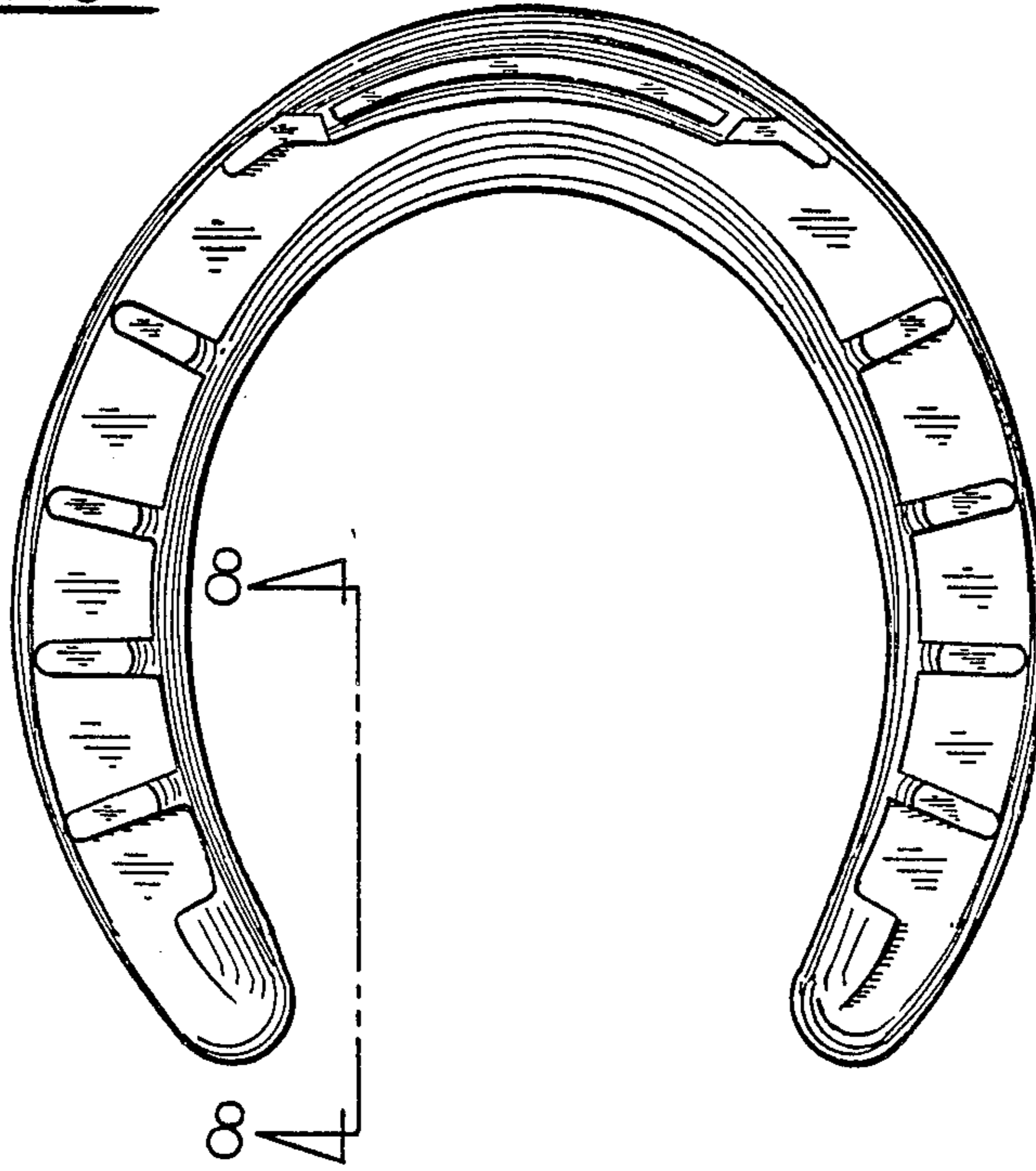


FIG. 9

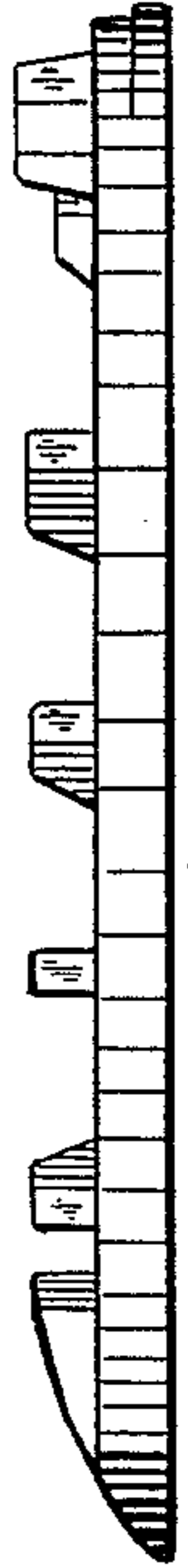


FIG. 8

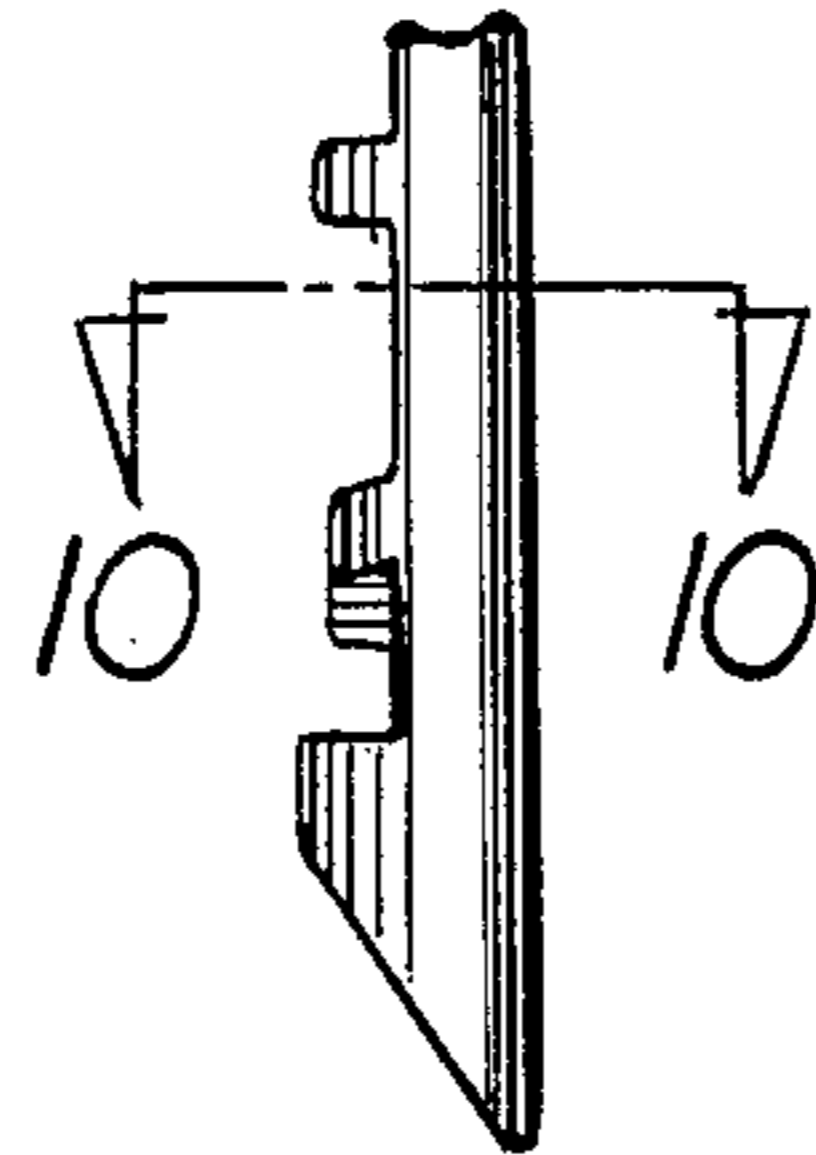


FIG. 10



FIG. 11

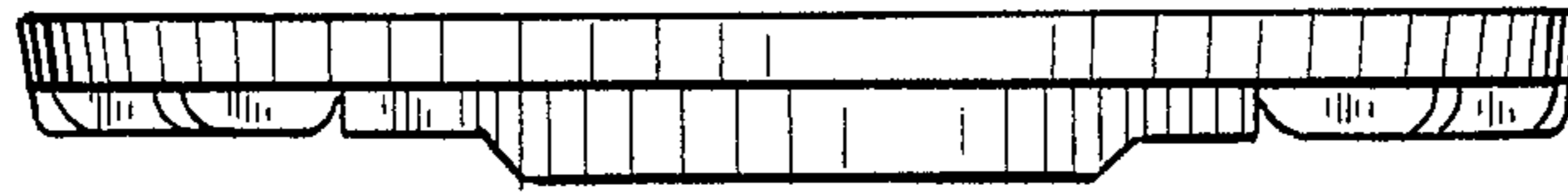


FIG. 12

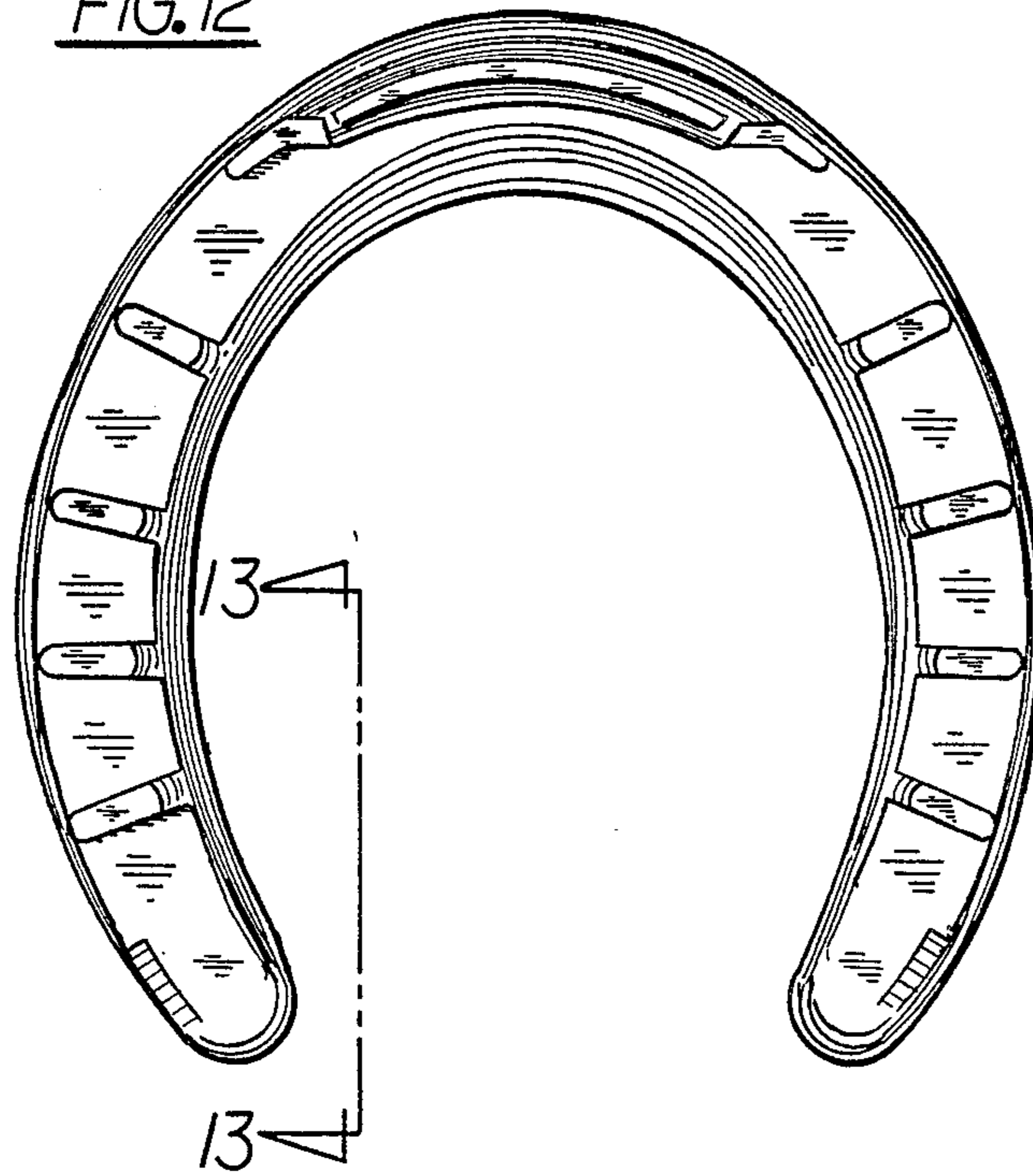


FIG. 14



FIG. 13

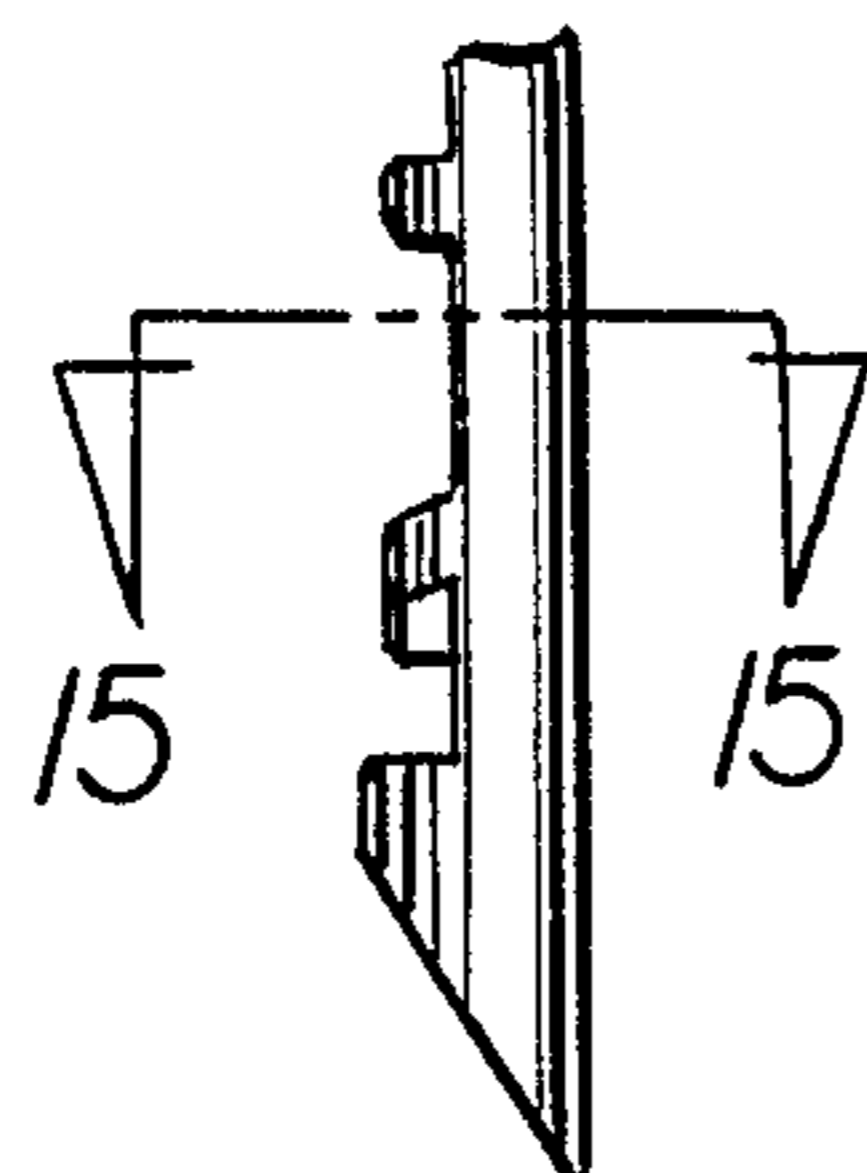


FIG. 15

