

[54] DOOR DOLLY

[76] Inventor: Ramon R. Smith, 14935 W. 155th Ter., Olathe, Kans. 66062

[\*\*] Term: 14 Years

[21] Appl. No.: 215,946

[22] Filed: Jul. 6, 1988

[52] U.S. Cl. .... D34/23; D24/24

[58] Field of Search ..... D34/12, 23, 27, 24; 280/79.1 A, 47.131, 63, 47.27, 47.2

[56] References Cited

U.S. PATENT DOCUMENTS

D. 237,786	11/1975	Gilster .....	D34/24
2,816,771	12/1957	Hunt .....	280/47.131
3,090,635	5/1963	Masterson, Jr. ....	280/47.131
3,942,813	3/1976	Dombroski .....	280/47.131
4,029,327	6/1977	Kolstein .....	280/47.131

4,541,644	9/1985	Diener .....	280/47.2
4,850,605	7/1989	Ray .....	D34/23
4,865,340	9/1989	Mortenson .....	280/47.27

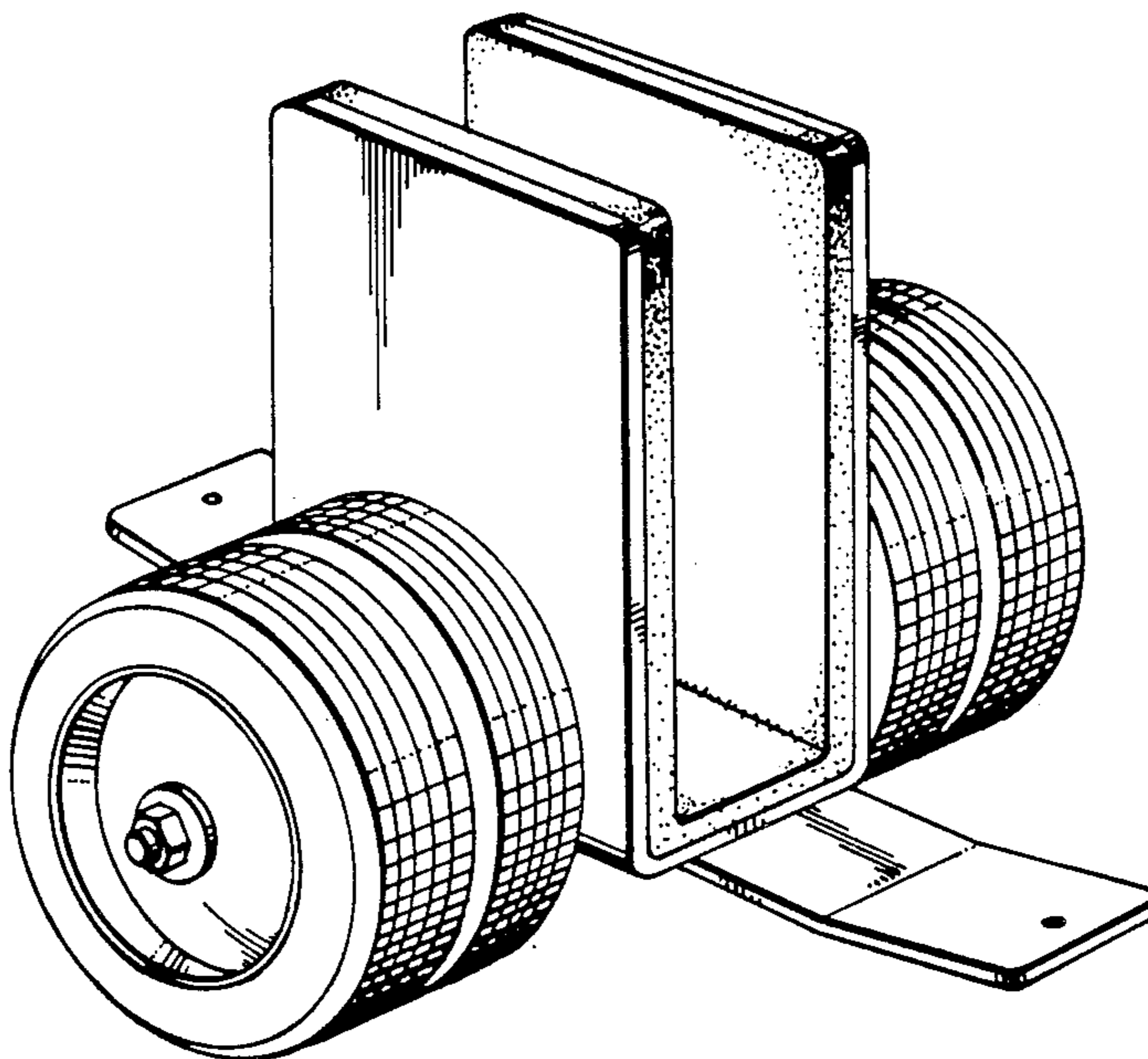
Primary Examiner—Wallace R. Burke  
Assistant Examiner—Kay H. Chin  
Attorney, Agent, or Firm—Thomas M. Scofield

[57] CLAIM

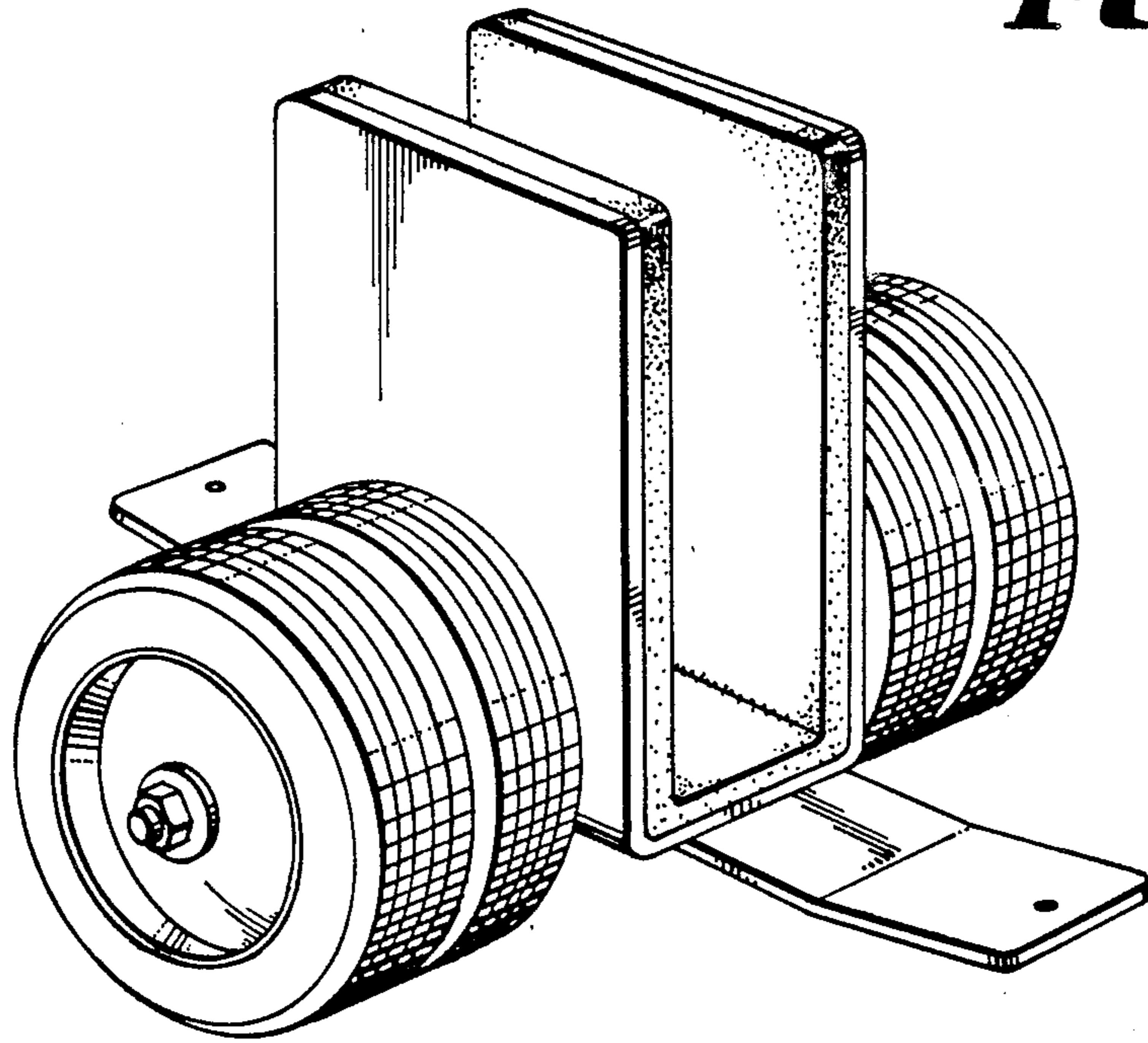
The ornamental design for a door dolly, as shown and described.

DESCRIPTION

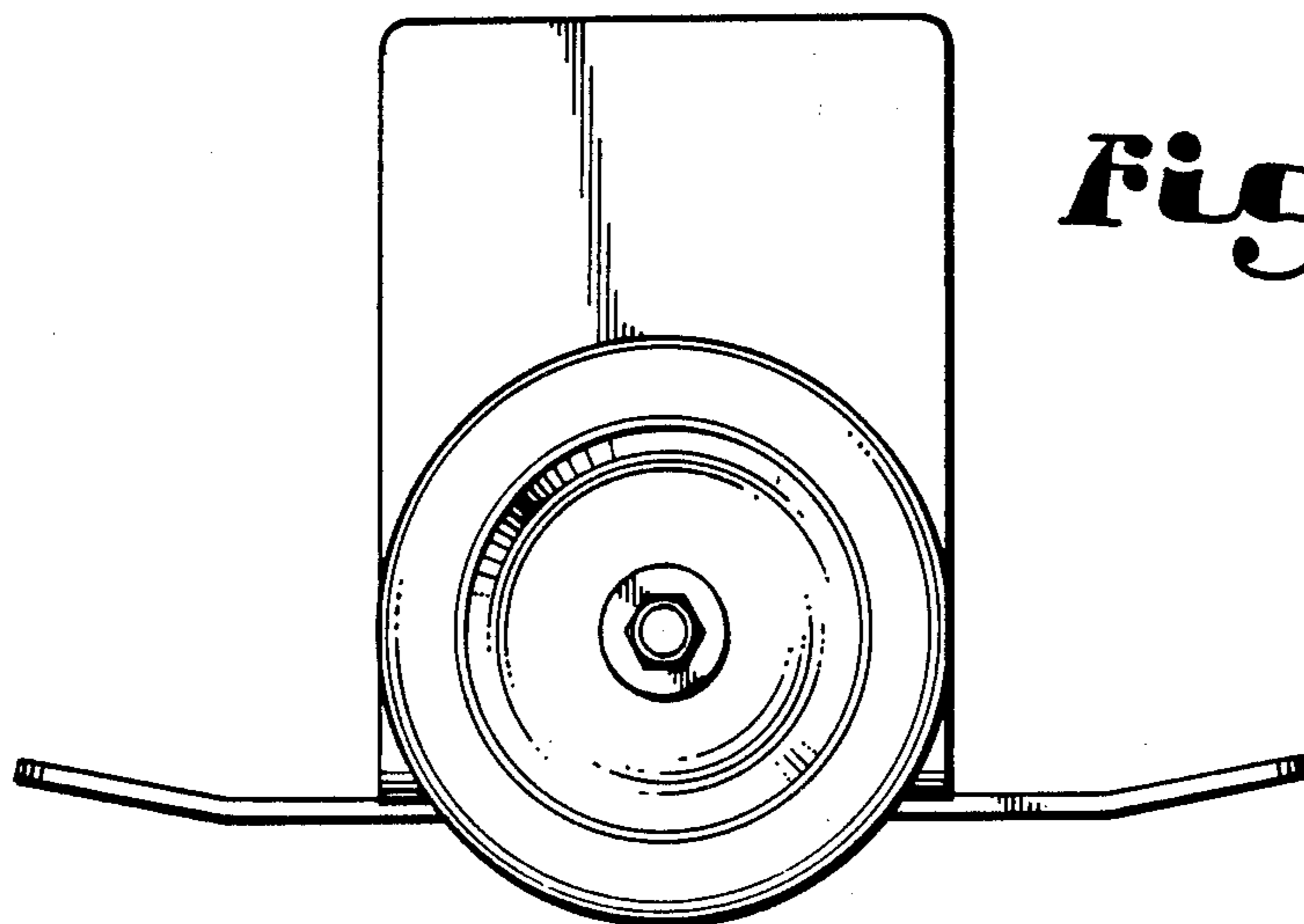
FIG. 1 is a front and top perspective view of a door dolly showing my new design;  
FIG. 2 is a side elevational view thereof, the opposite side view being a mirror image of that shown;  
FIG. 3 is a top plan view thereof;  
FIG. 4 is a front elevational view thereof, the rear elevational view being a mirror image of that shown; and  
FIG. 5 is a bottom plan view thereof.

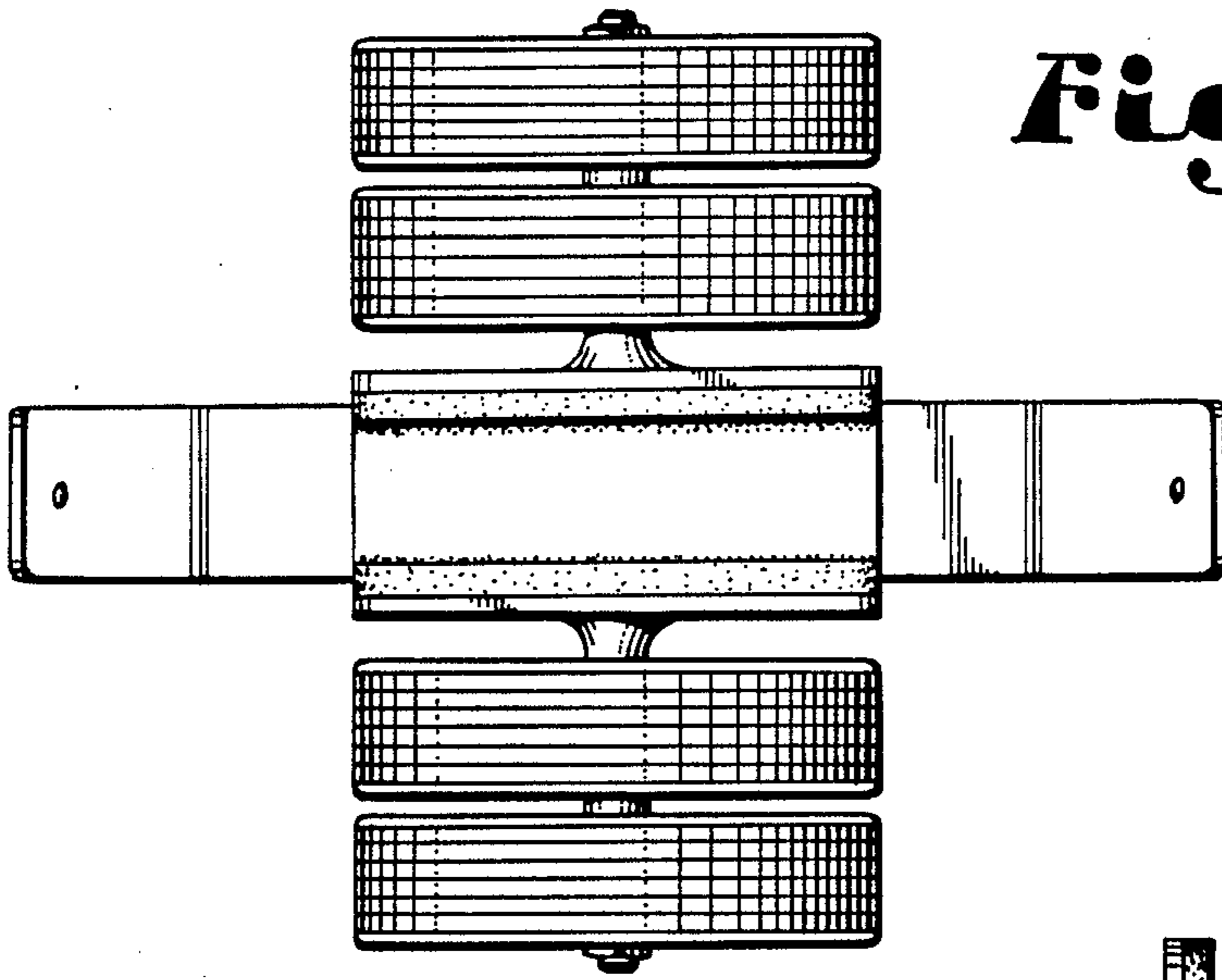


*Fig. 1.*



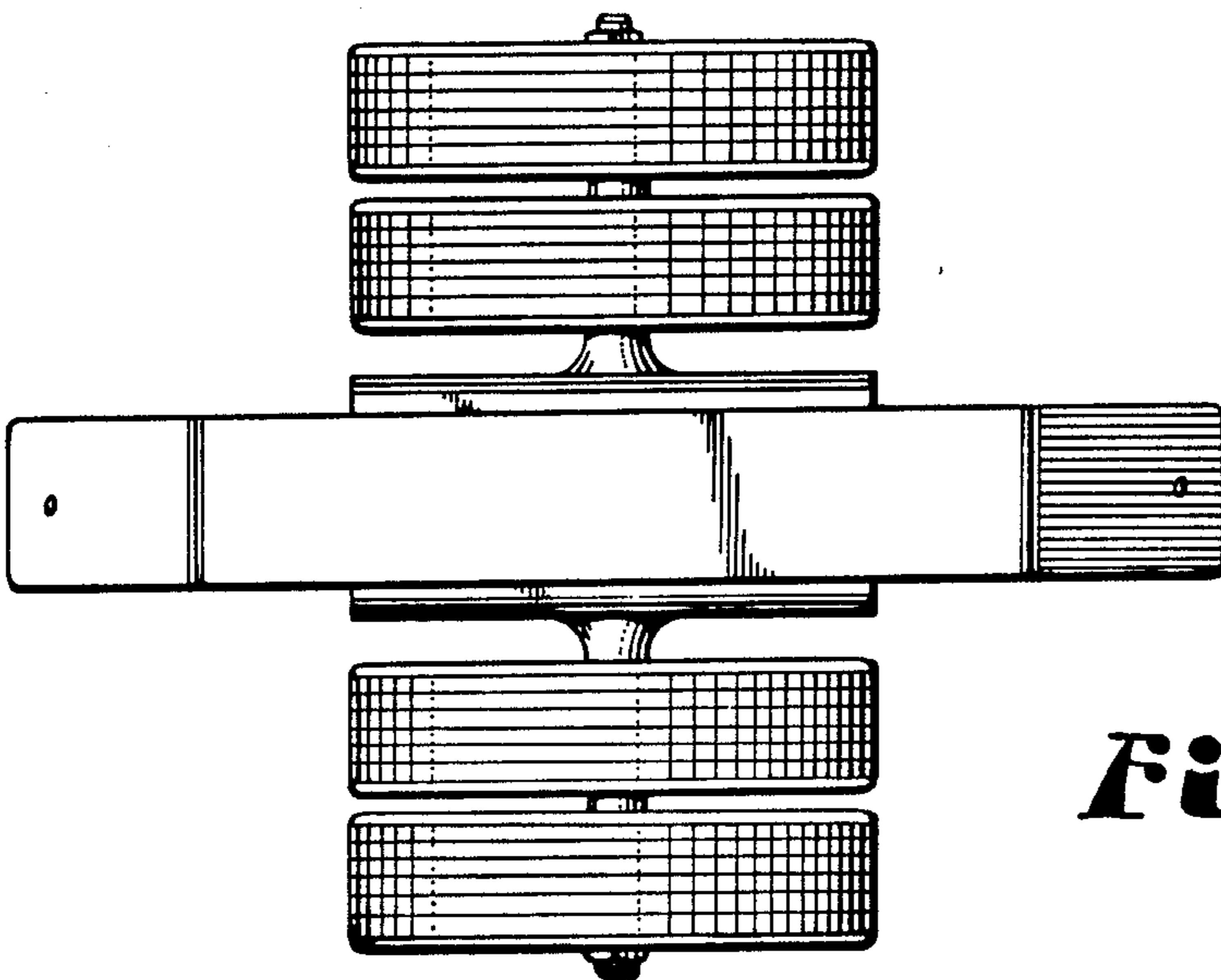
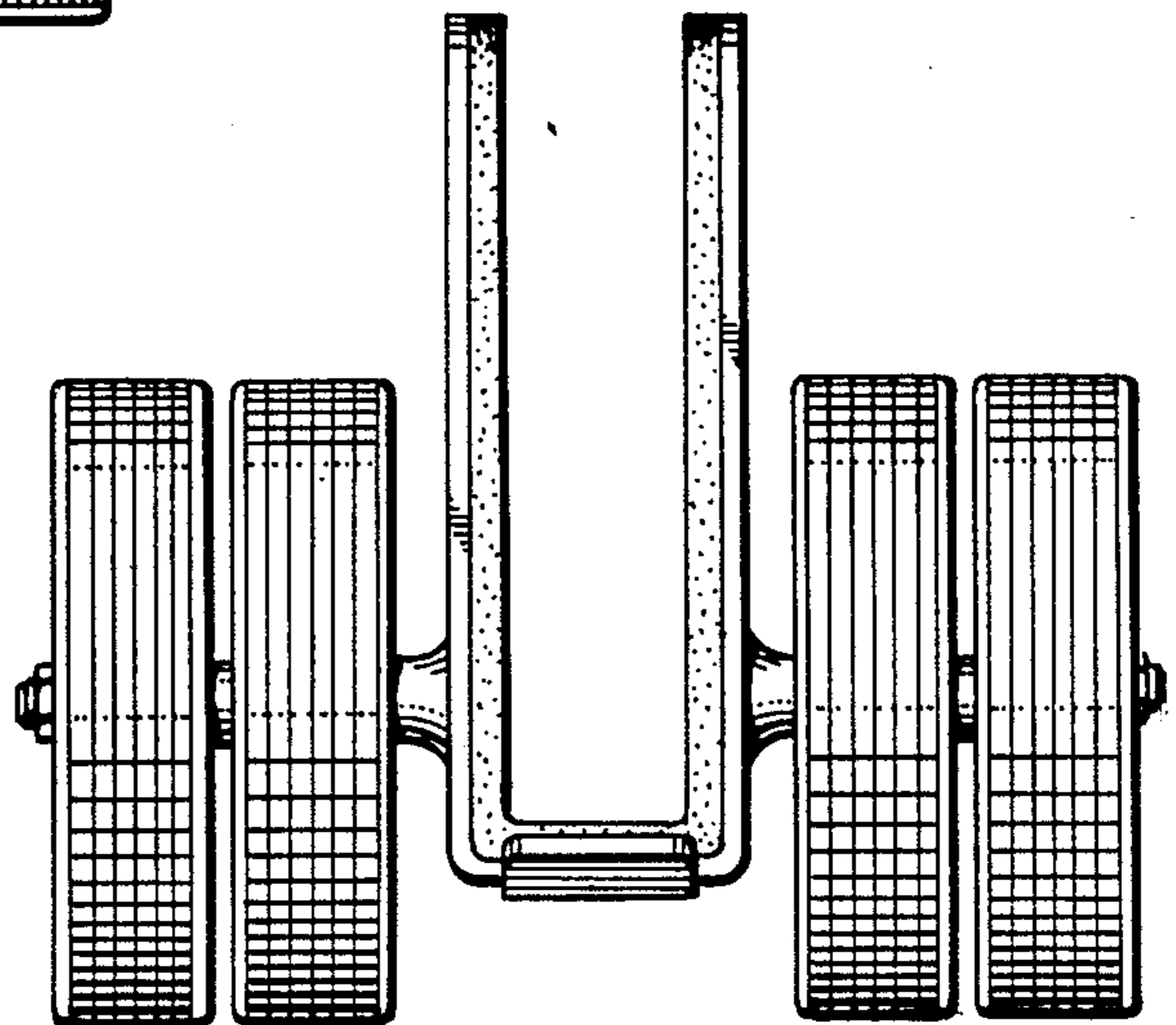
*Fig. 2.*





*Fig. 3.*

*Fig. 4.*



*Fig. 5.*