

[54] LIGHTER

[75] Inventor: Shintaro Tsuji, Tokyo, Japan

[73] Assignee: Sanrio Company, Ltd., Tokyo, Japan

[**] Term: 14 Years

[21] Appl. No.: 229,029

[22] Filed: Aug. 5, 1988

[52] U.S. Cl. D27/158; D27/159

[58] Field of Search D27/139, 141, 154, 156, D27/160; 431/129, 130, 133-158, 277

[56] References Cited

U.S. PATENT DOCUMENTS

1,394,917	10/1921	Eibetz	431/129
1,672,965	11/1925	Szekeres	431/129
3,472,599	10/1969	Piffath et al.	431/150

FOREIGN PATENT DOCUMENTS

0286887	12/1913	Fed. Rep. of Germany	431/129
---------	---------	----------------------------	---------

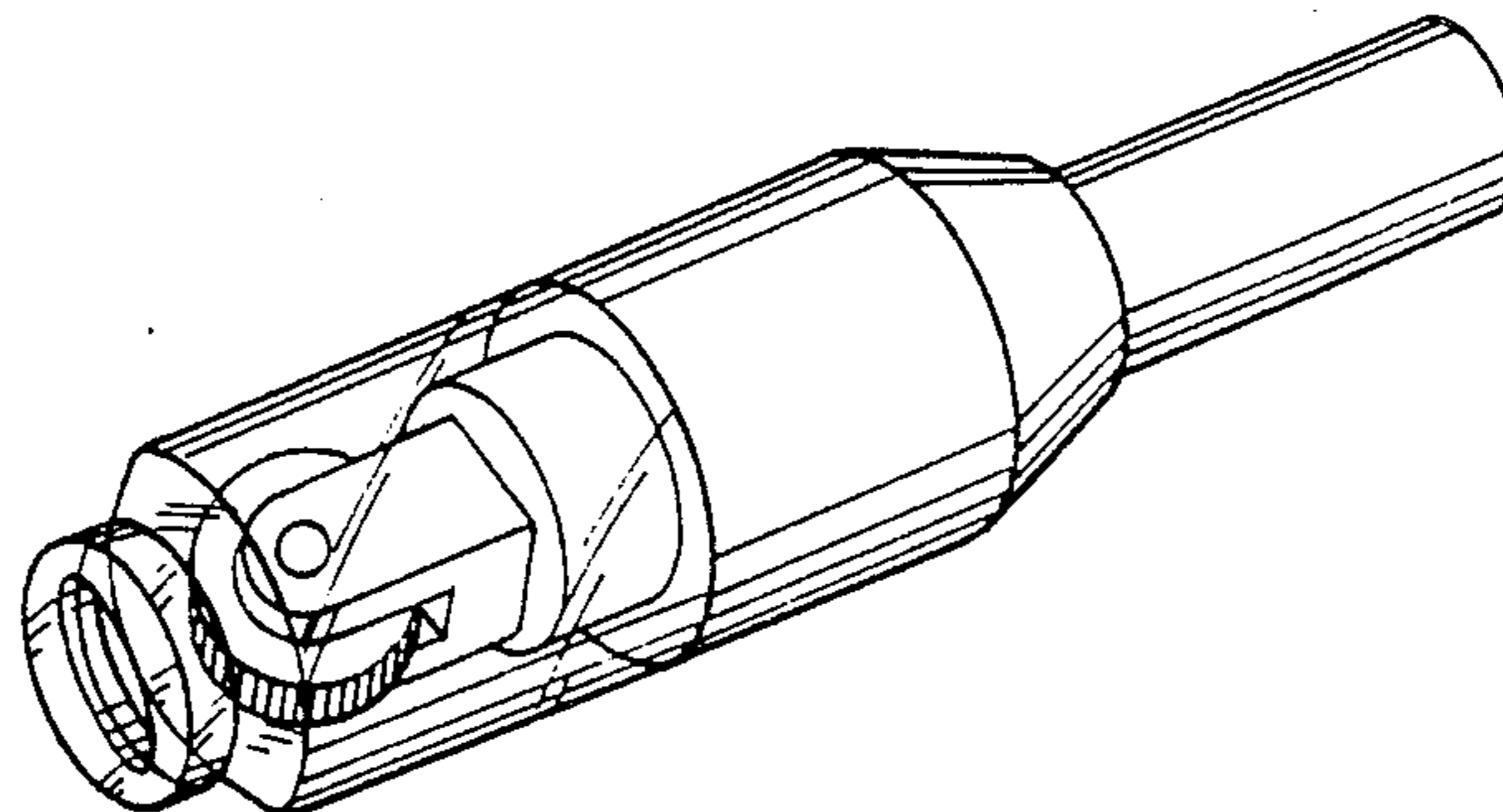
Primary Examiner—Susan J. Lucas
Assistant Examiner—Joel Sincavage
Attorney, Agent, or Firm—Owen, Wickersham & Erickson

[57] CLAIM

The ornamental design for a lighter, as shown and described.

DESCRIPTION

FIG. 1 is a view in perspective of a lighter, showing my new design, looking from the top and from the side. FIG. 2 is a view in side elevation of the same. FIG. 3 is a view in front elevation of the same. FIG. 4 is a view in rear elevation of the same. FIG. 5 is a top plan view of the same. FIG. 6 is a bottom view of the same. FIG. 7 is a view in section of the same, taken along line 7-7 in FIG. 3. FIG. 8 is a view in perspective of the same, with the cover shown detached.



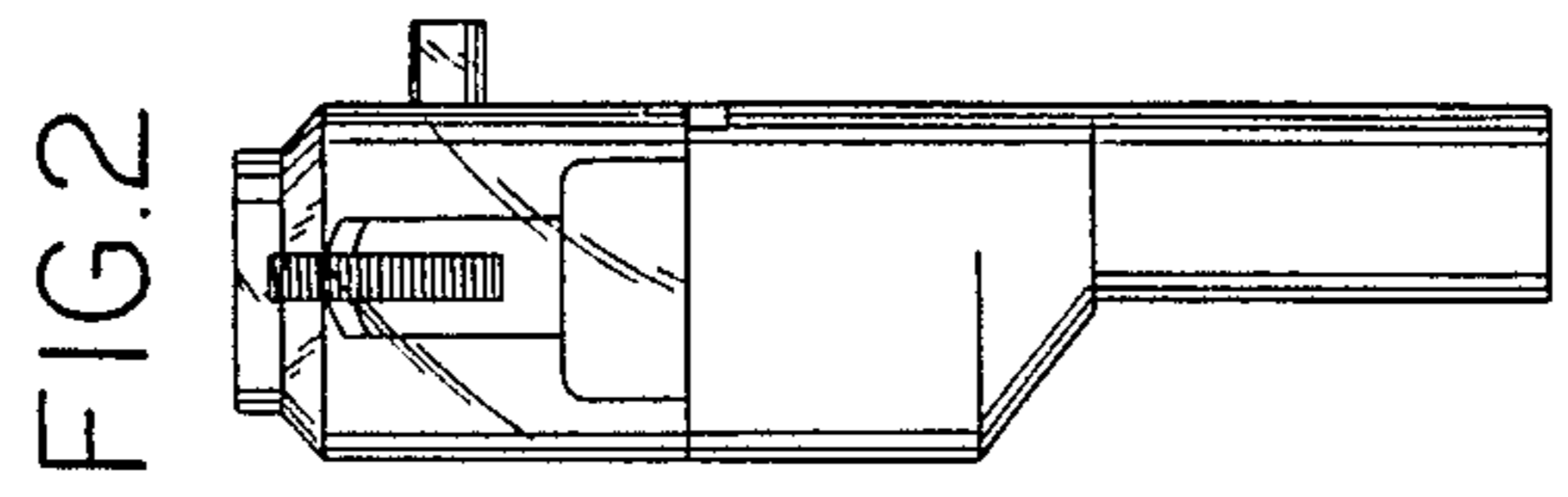


FIG. 2

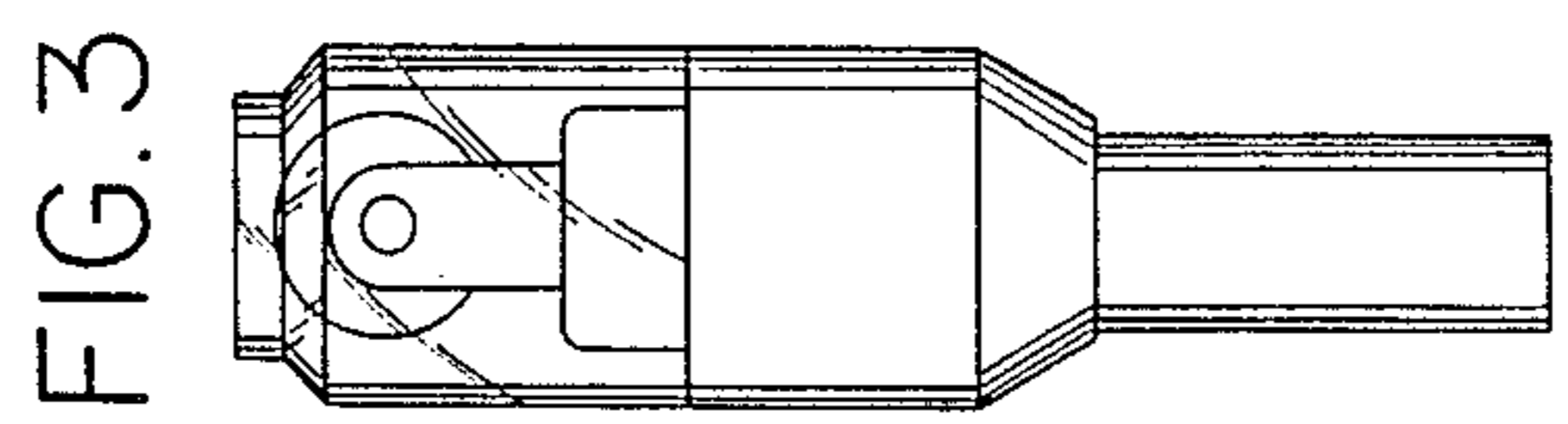


FIG. 3

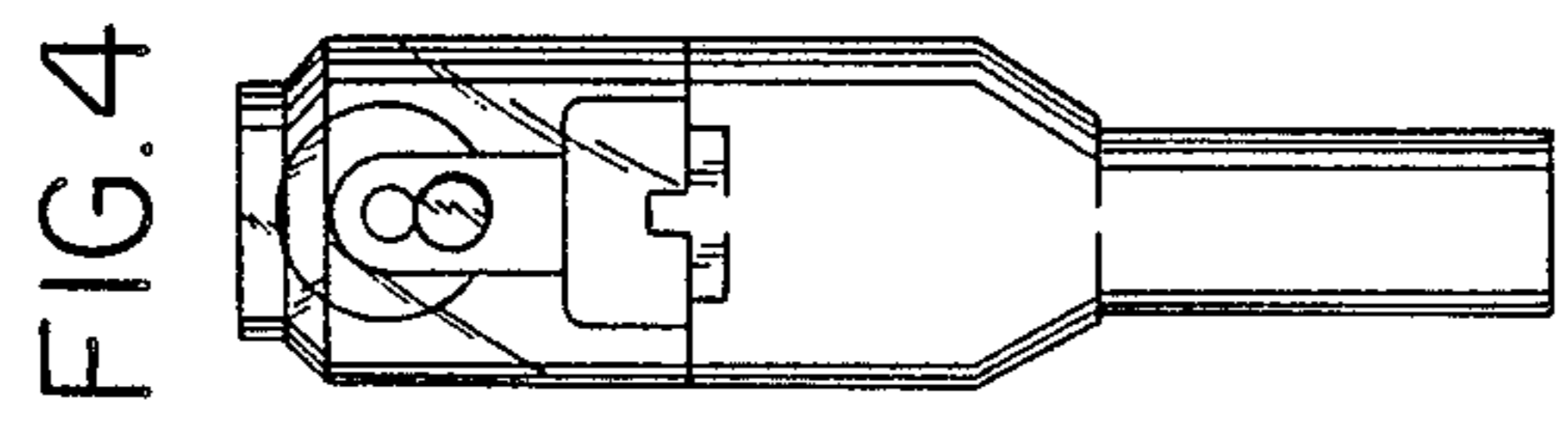


FIG. 4

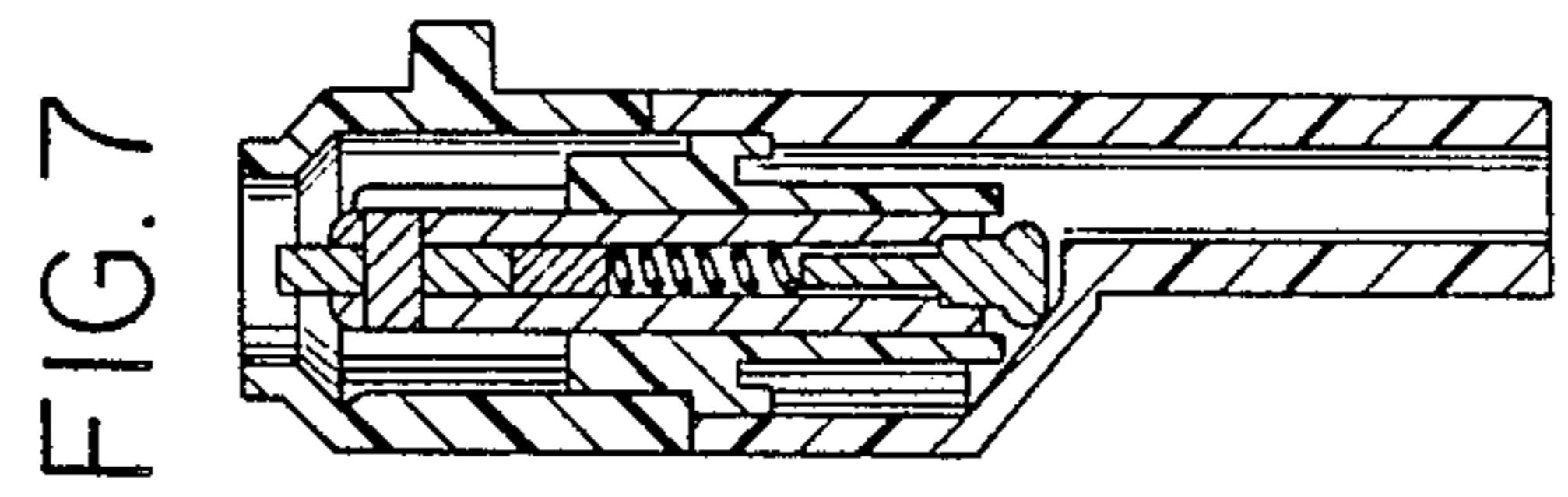


FIG. 7

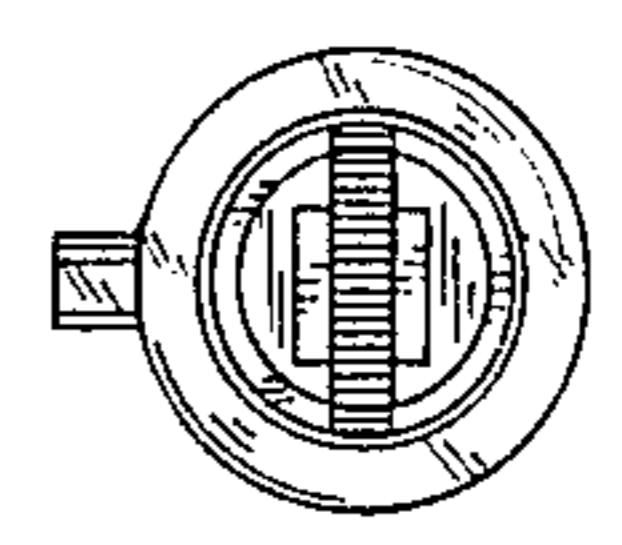


FIG. 5

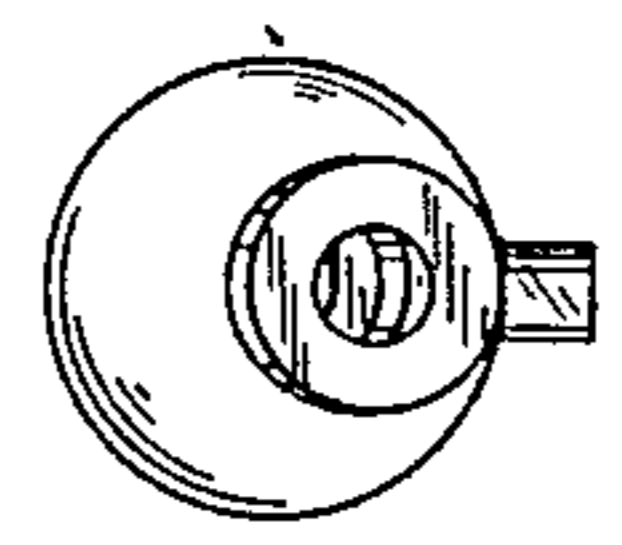


FIG. 6

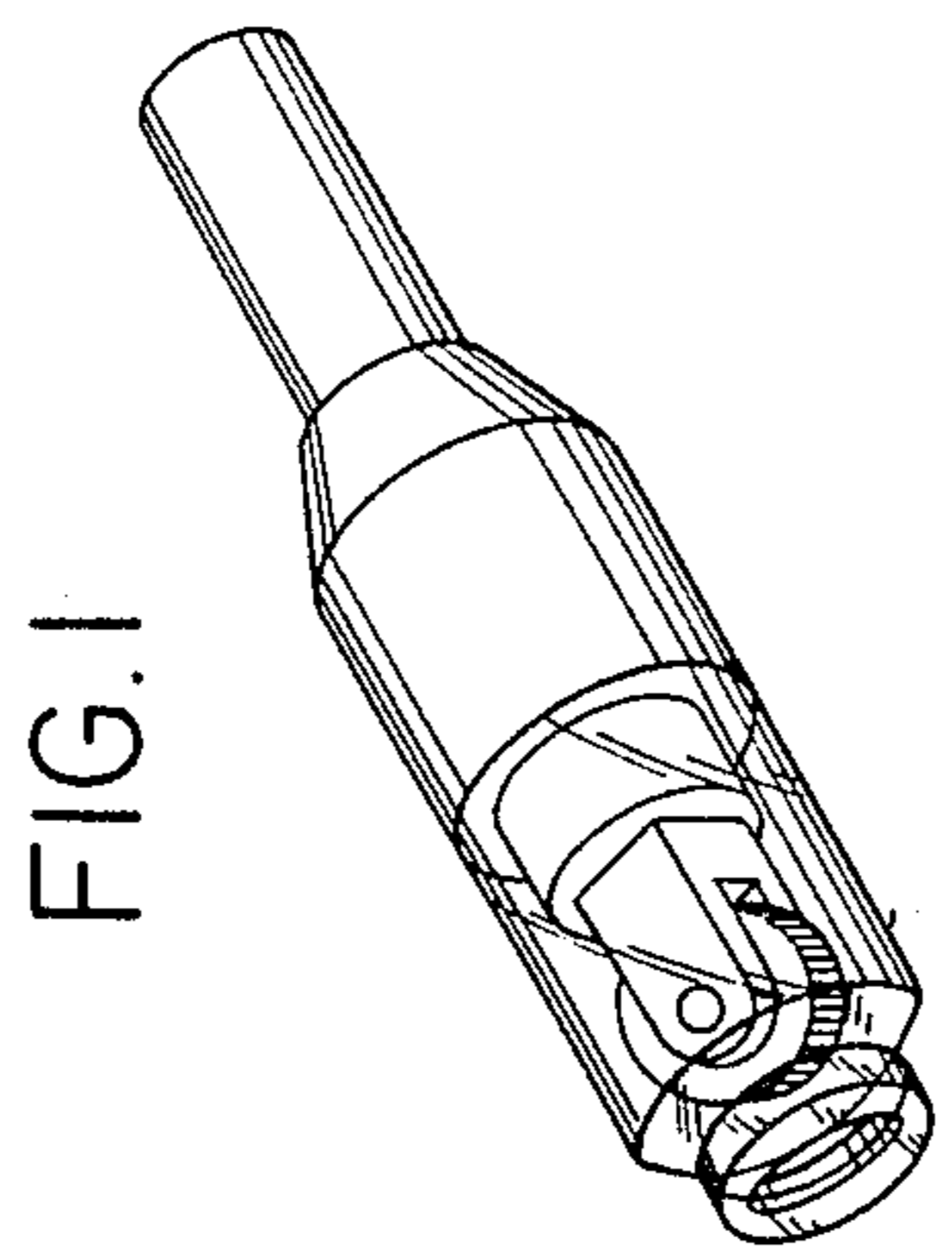


FIG. 1

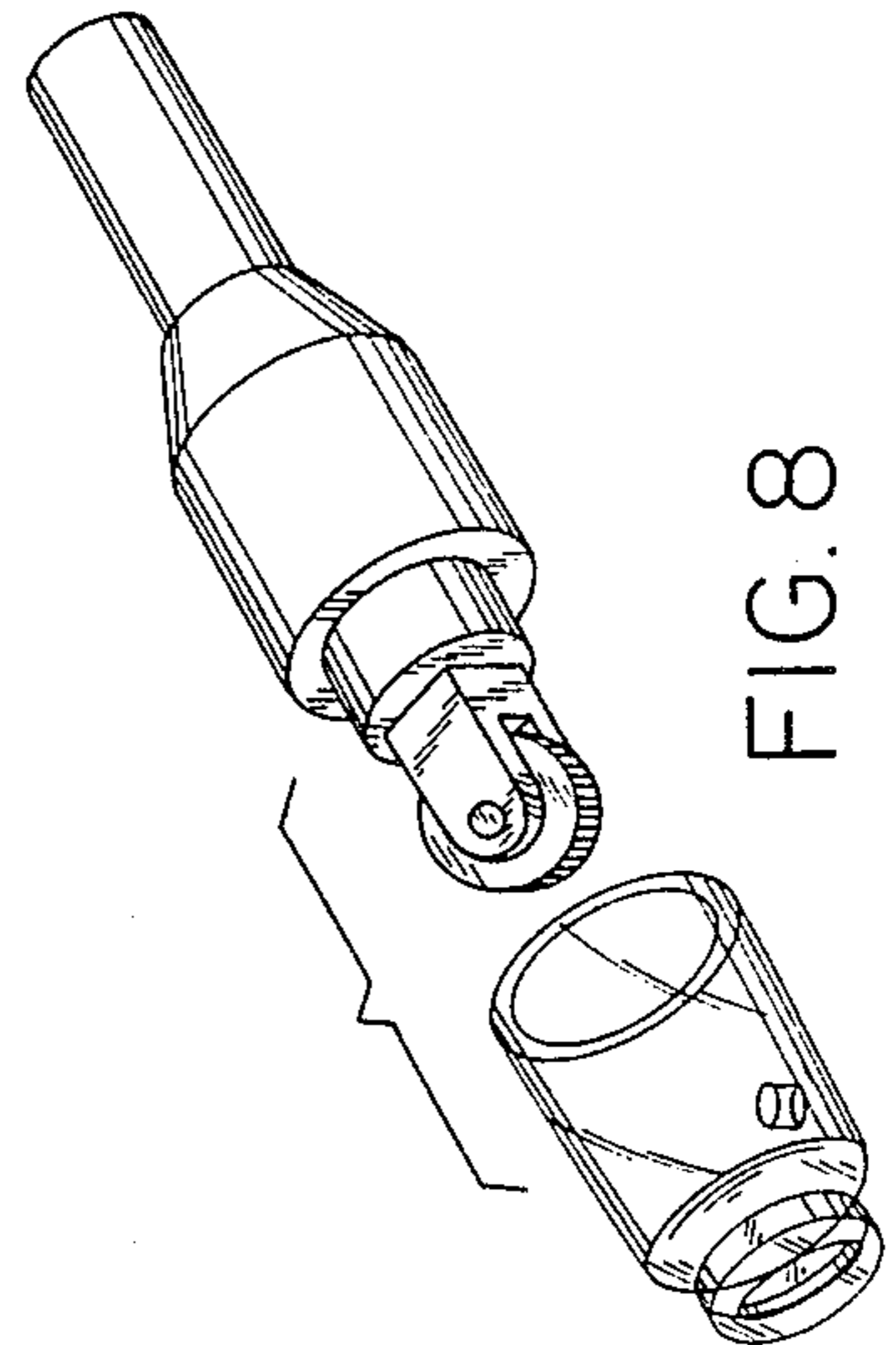


FIG. 8