

[54] COVER FOR TOPS OF LADDERS

[75] Inventors: Russell S. Patton, Jamestown; Dale R. King; Edward E. Heald, both of Greenville, all of Pa.

[73] Assignee: R. D. Werner Co., Inc., Greenville, Pa.

[**] Term: 14 Years

[21] Appl. No.: 100,432

[22] Filed: Sep. 24, 1987

[52] U.S. Cl. D25/68

[58] Field of Search D25/62, 63, 64, 68, D25/69; D8/354; 248/225.31; 182/46, 107, 108, 118, 119, 120, 129, 206, 220

[56] References Cited

U.S. PATENT DOCUMENTS

D. 300,252	3/1989	Schmitt	D25/68
2,930,442	3/1960	Carter	182/120

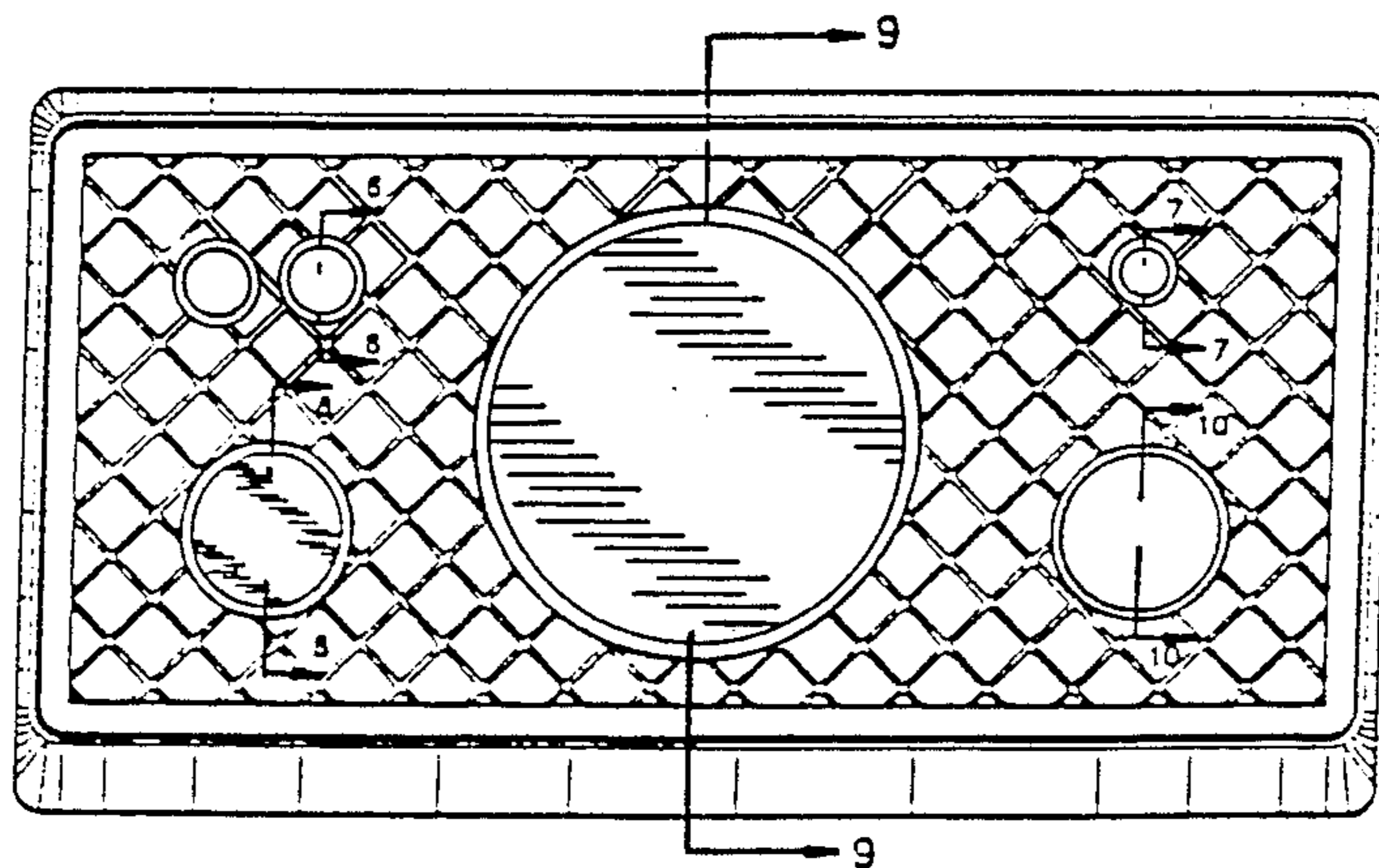
Primary Examiner—A. Hugo Word
Assistant Examiner—Doris Clark
Attorney, Agent, or Firm—J. Helen Slough

[57] CLAIM

The ornamental design for a cover for tops of ladders, as shown and described.

DESCRIPTION

FIG. 1 is a perspective view of a cover for tops of ladders showing my new design; the ladder is shown in broken lines for illustrative purposes only and forms no part of the claimed design;
FIG. 2 is a top plan view thereof;
FIG. 3 is a bottom plan view thereof;
FIG. 4 is a side elevational view taken from one side thereof, the opposite side being a mirror image thereof;
FIG. 5 is a front elevational view thereof, the rear being a mirror image thereof;
FIG. 6 is a sectional view taken from the line 6—6 of FIG. 2;
FIG. 7 is a sectional view taken from the line 7—7 of FIG. 2;
FIG. 8 is a sectional view taken from the line 8—8 of FIG. 2;
FIG. 9 is a sectional view taken from the line 9—9 of FIG. 2; and
FIG. 10 is a sectional view taken from the line 10—10 of FIG. 2.



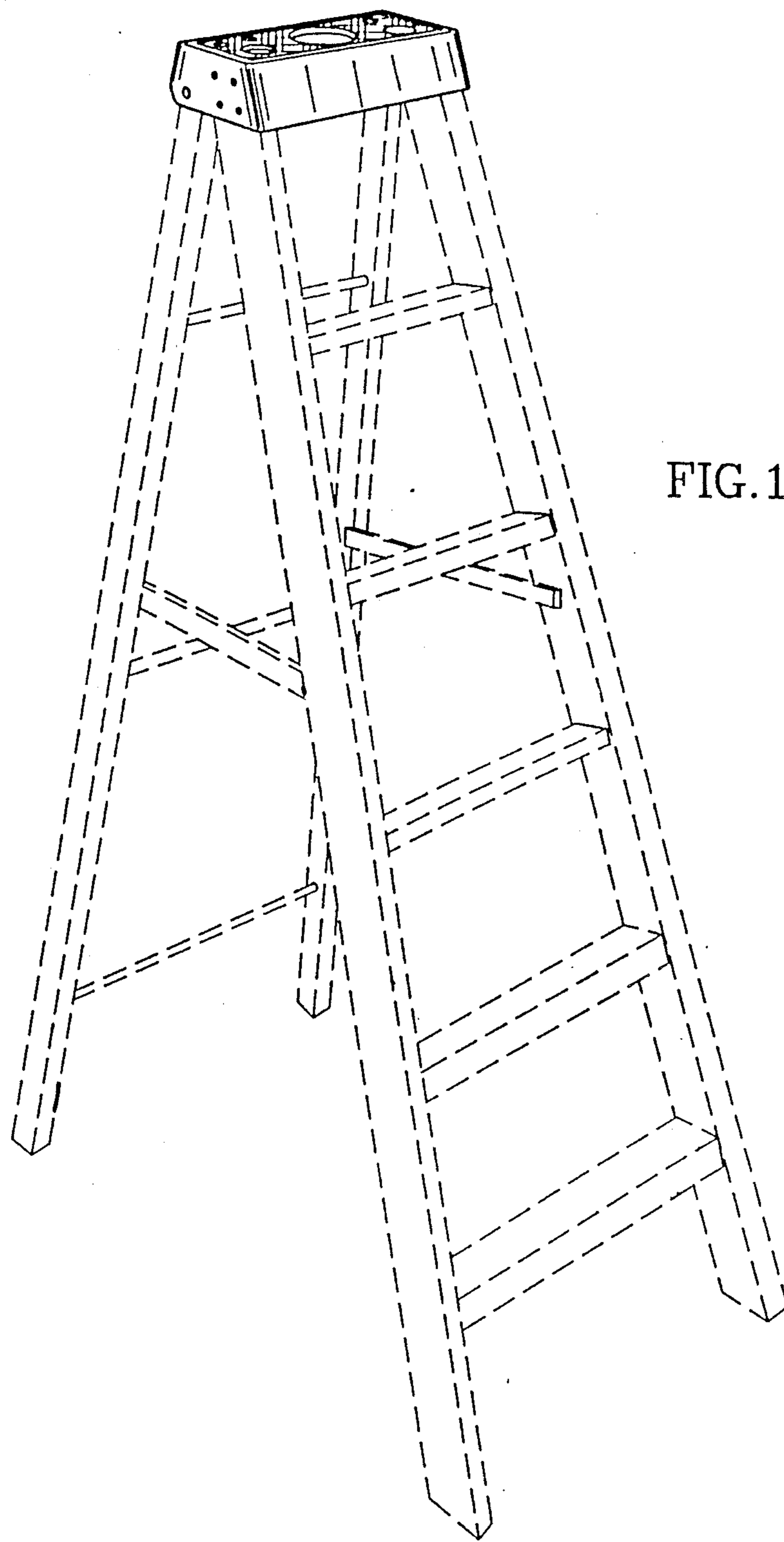


FIG. 1

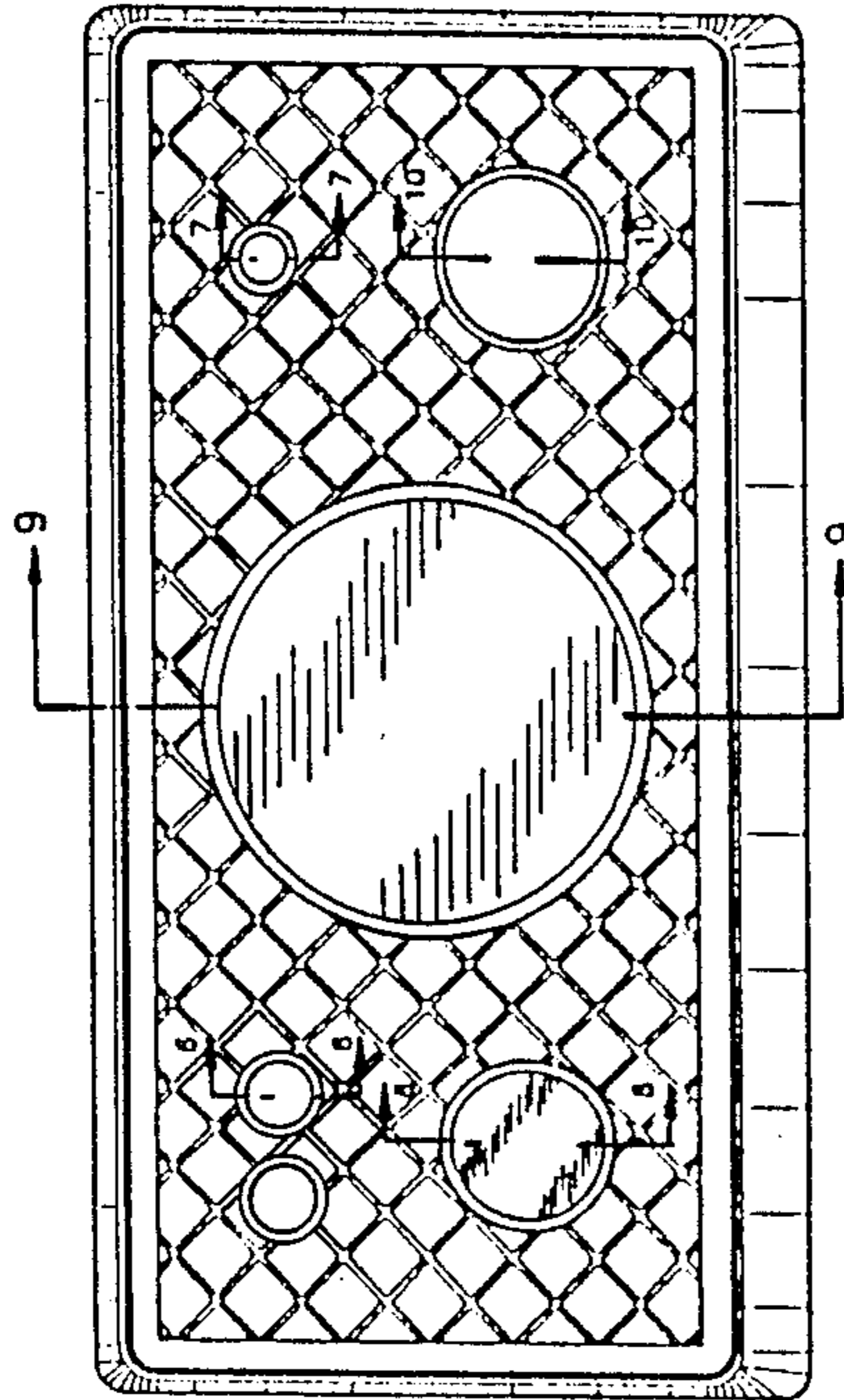


FIG. 2

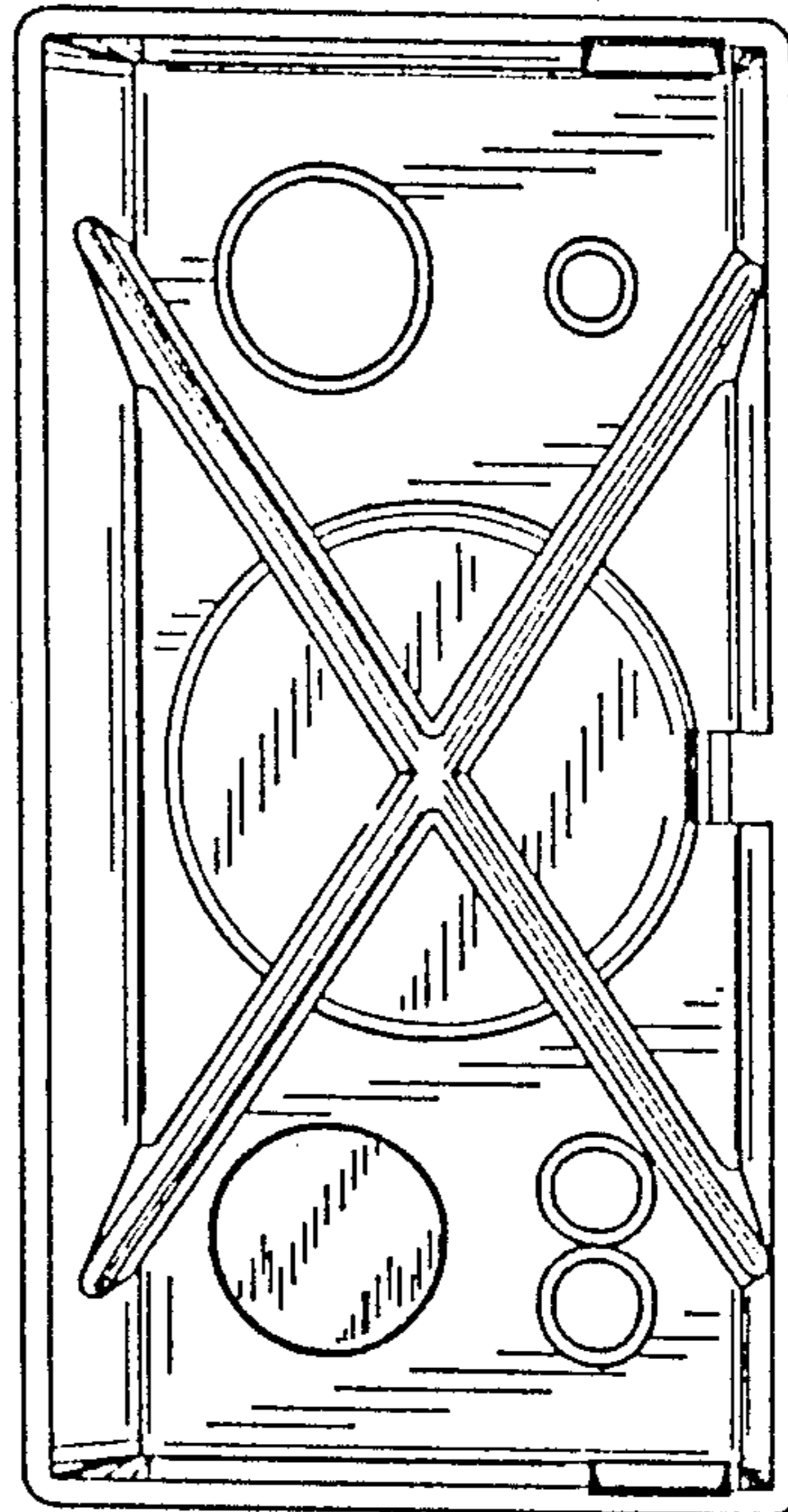


FIG. 3

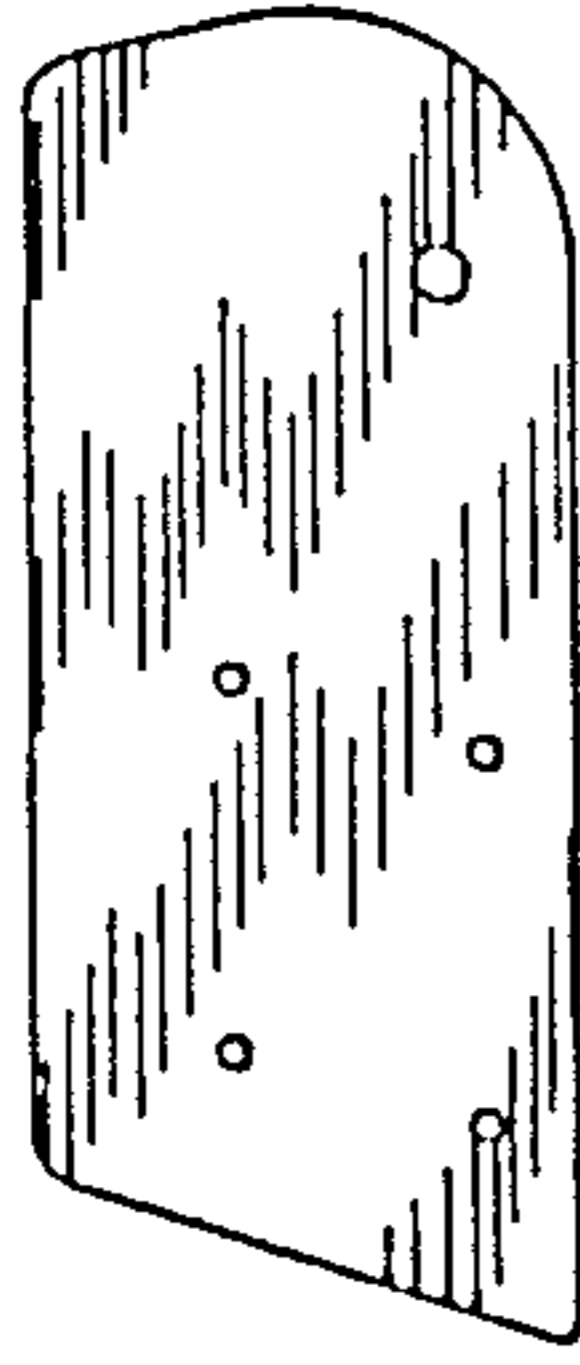


FIG. 4

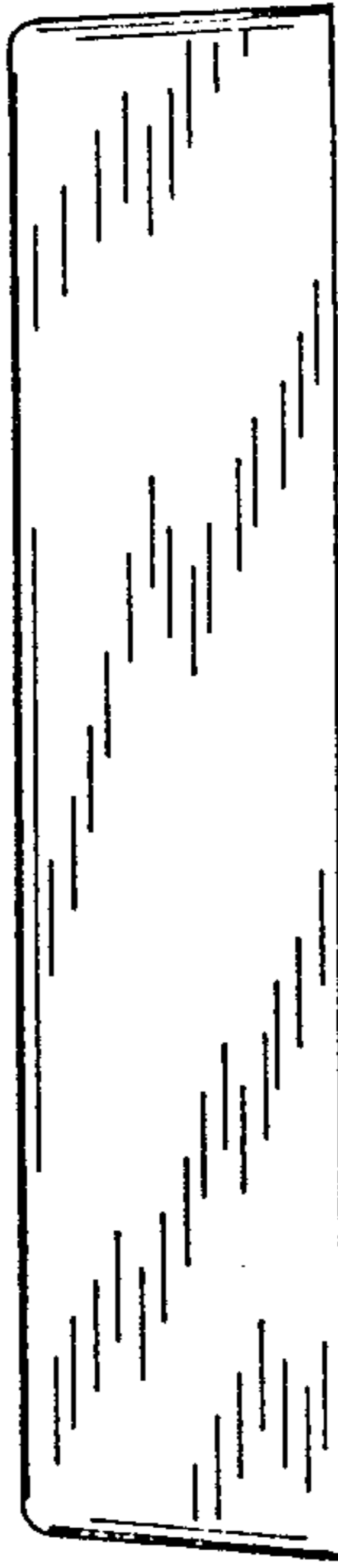


FIG. 5



FIG. 6



FIG. 7



FIG. 10



FIG. 8



FIG. 9