

[54] ORTHOPEDIC UNIT OR THE LIKE FOR RELIEF OF BACK AILMENT

[76] Inventor: John A. Pope, 4 Karee Court, Greensborough, Victoria, Australia

[**] Term: 14 Years

[21] Appl. No.: 35,726

[22] Filed: Apr. 8, 1987

[30] Foreign Application Priority Data

Dec. 11, 1986 [AU] Australia 7883/86
[52] U.S. Cl. D24/64
[58] Field of Search D24/64, 1.1; 128/68, 128/78, 83.5; D12/130; D3/7; 135/67

[56] References Cited

U.S. PATENT DOCUMENTS

3,521,881 7/1970 Schaevitz D24/64 X
3,986,502 10/1976 Gilson 128/83.5
4,557,257 12/1985 Fernandez et al. 128/83.5 X

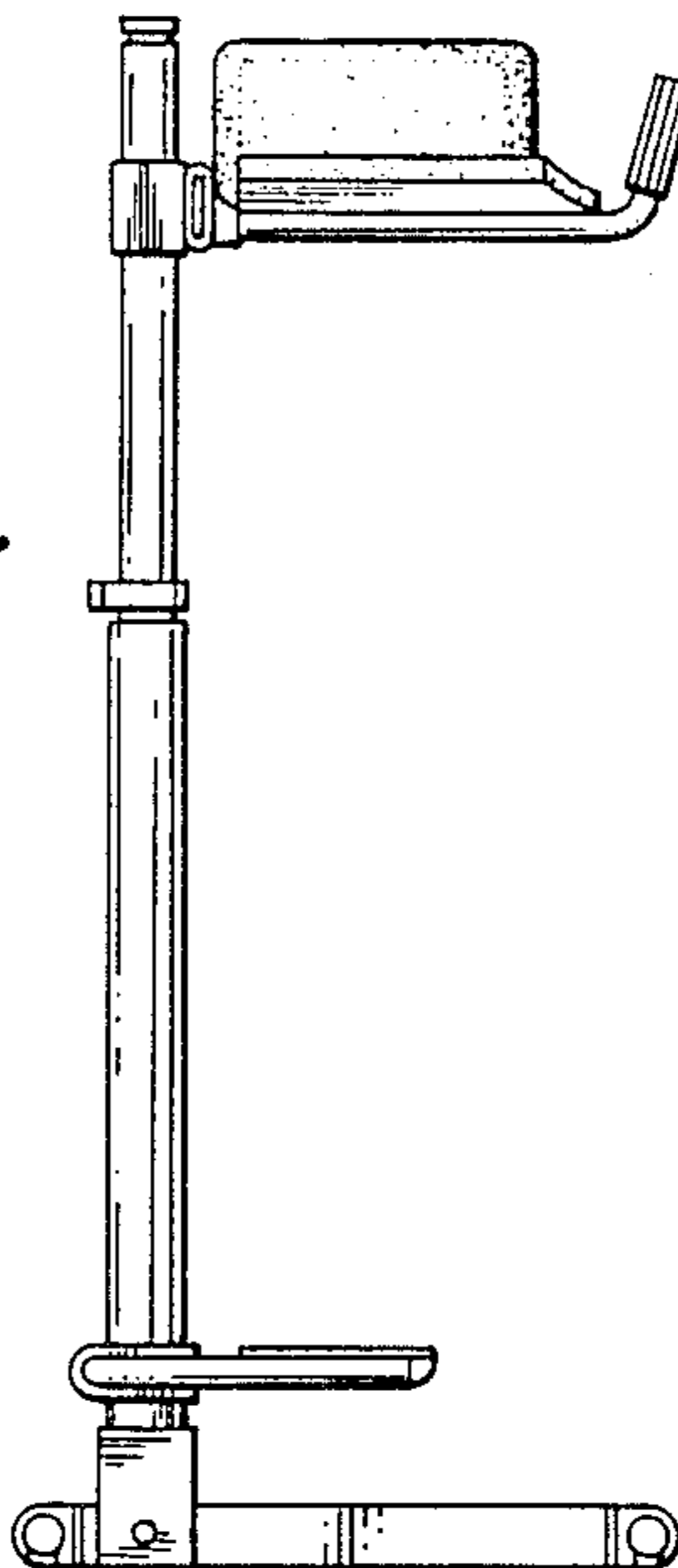
Primary Examiner—A. Hugo Word
Assistant Examiner—Stella M. Reid
Attorney, Agent, or Firm—Browdy and Neimark

[57] CLAIM

The ornamental design for an orthopedic unit or the like for relief of back ailment, as shown and described.

DESCRIPTION

FIG. 1 is a side elevational view of an orthopedic unit or the like for relief of back ailment, the opposite side being identical thereto;
FIG. 2 is a front elevational view thereof;
FIG. 3 is a top plan view thereof;
FIG. 4 is a perspective view thereof; and
FIG. 5 is a rear elevational view thereof.



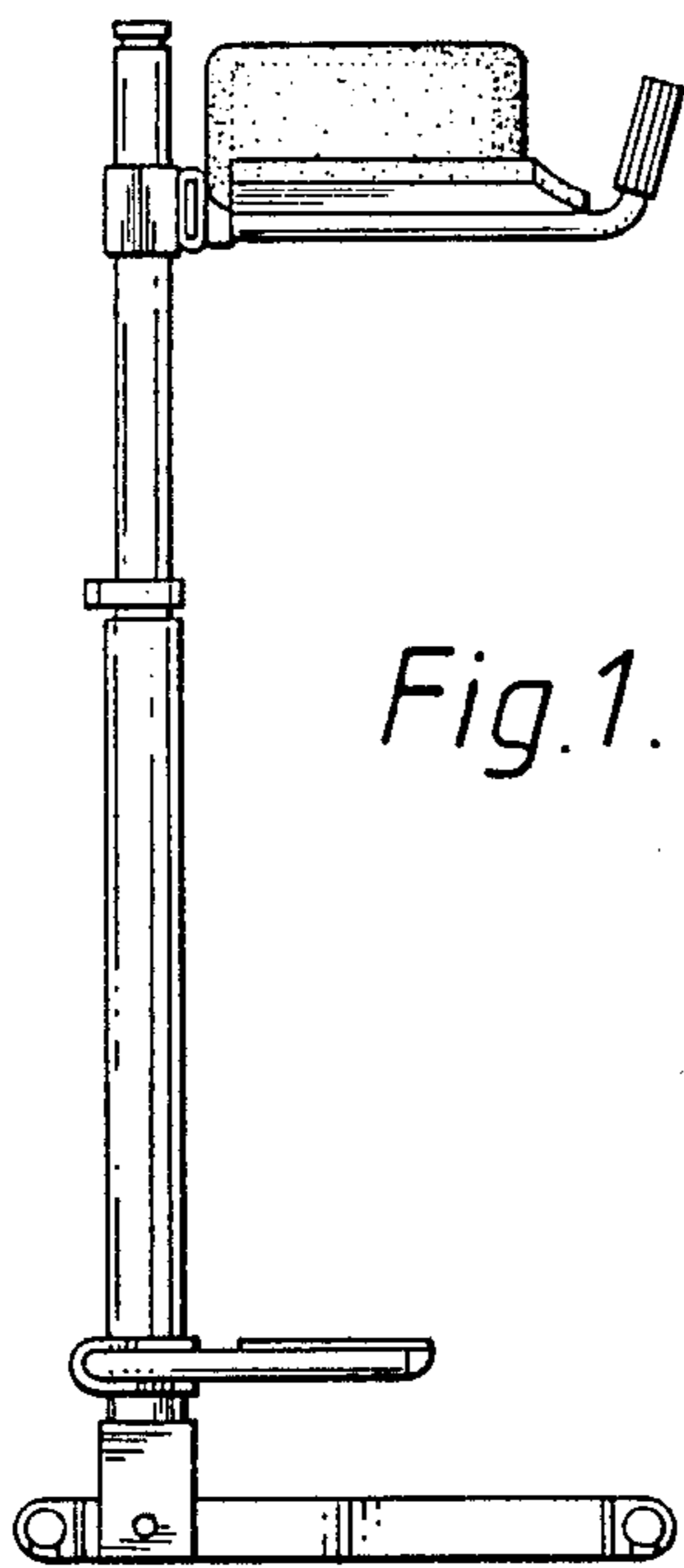


Fig. 1.

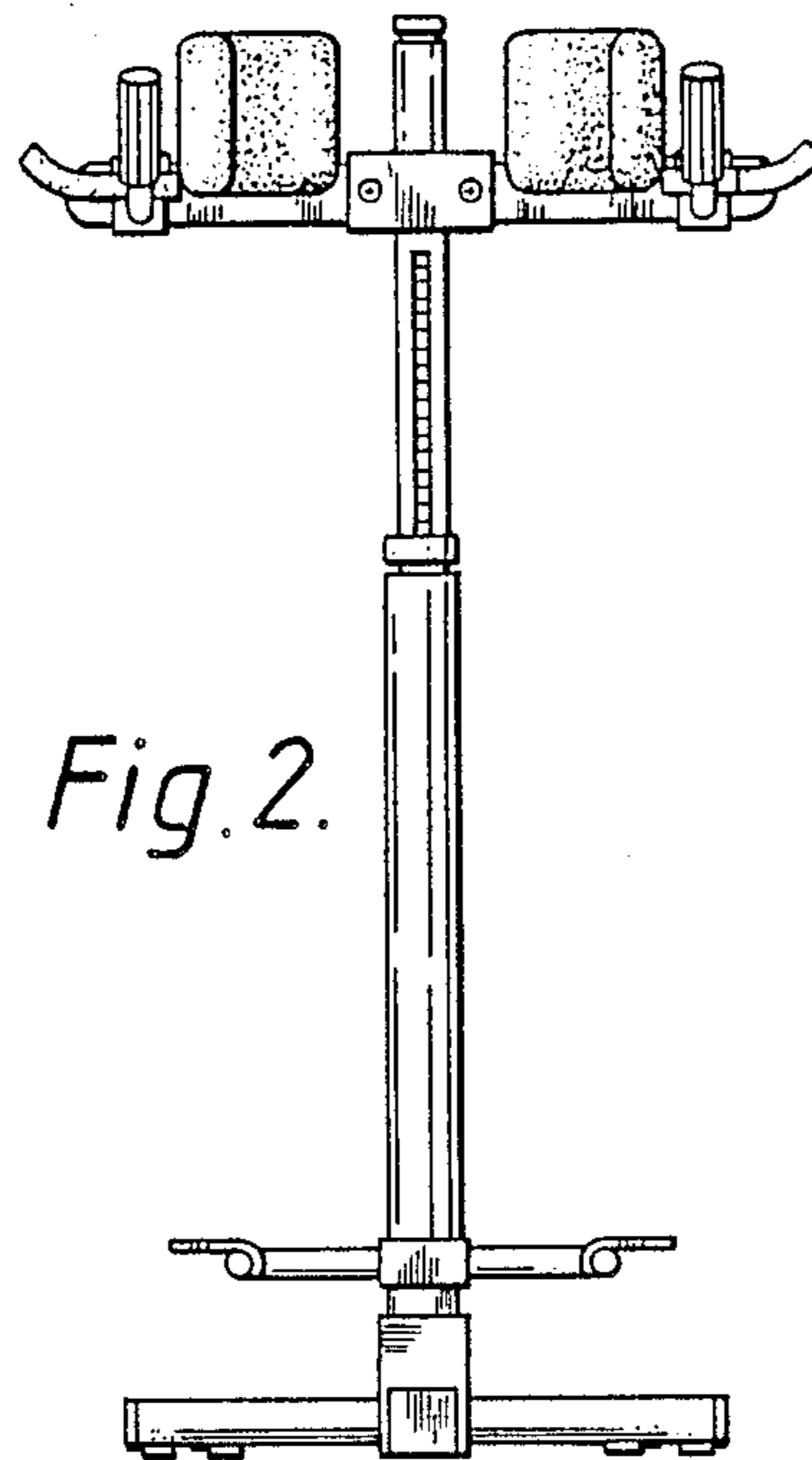


Fig. 2.

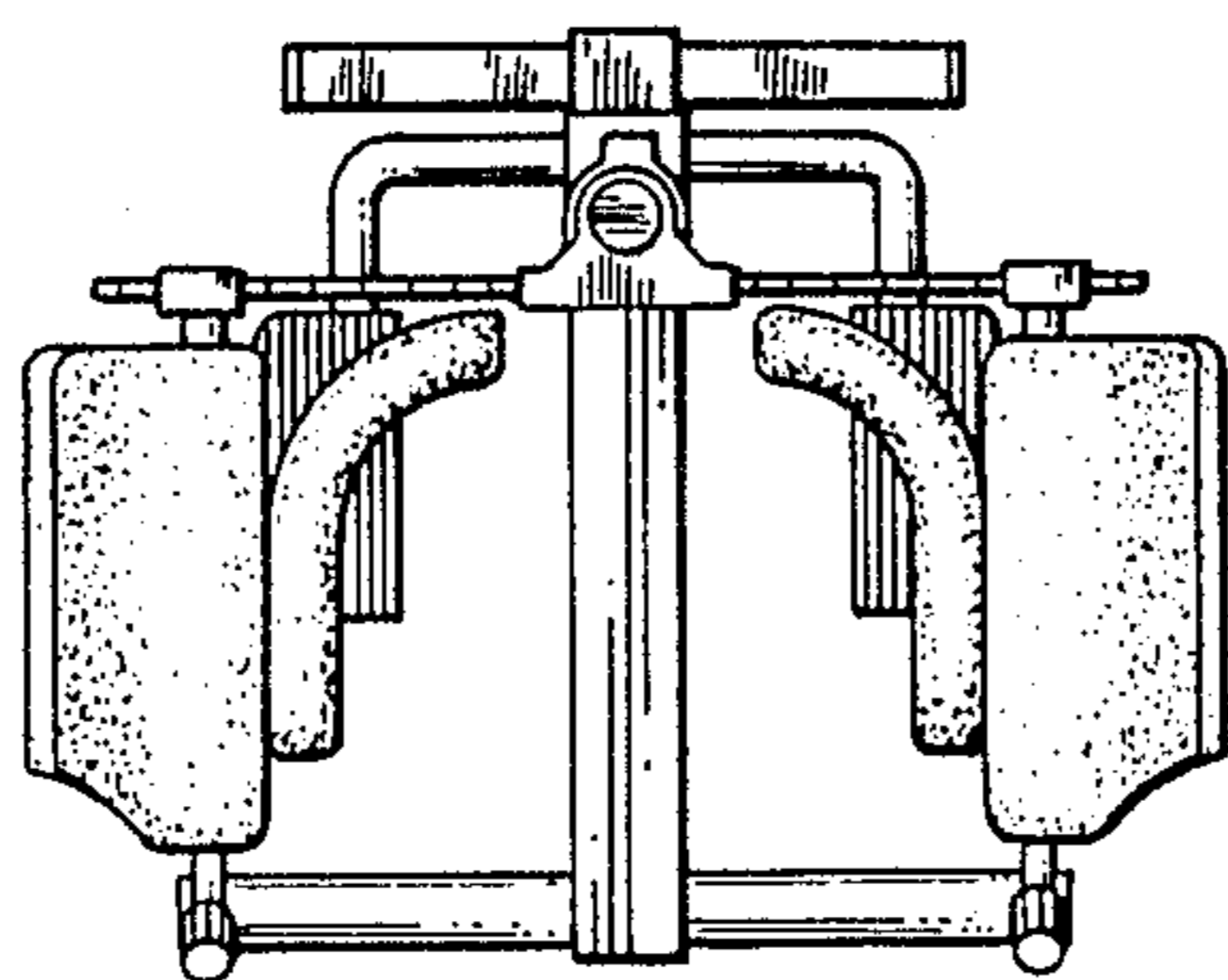


Fig. 3.

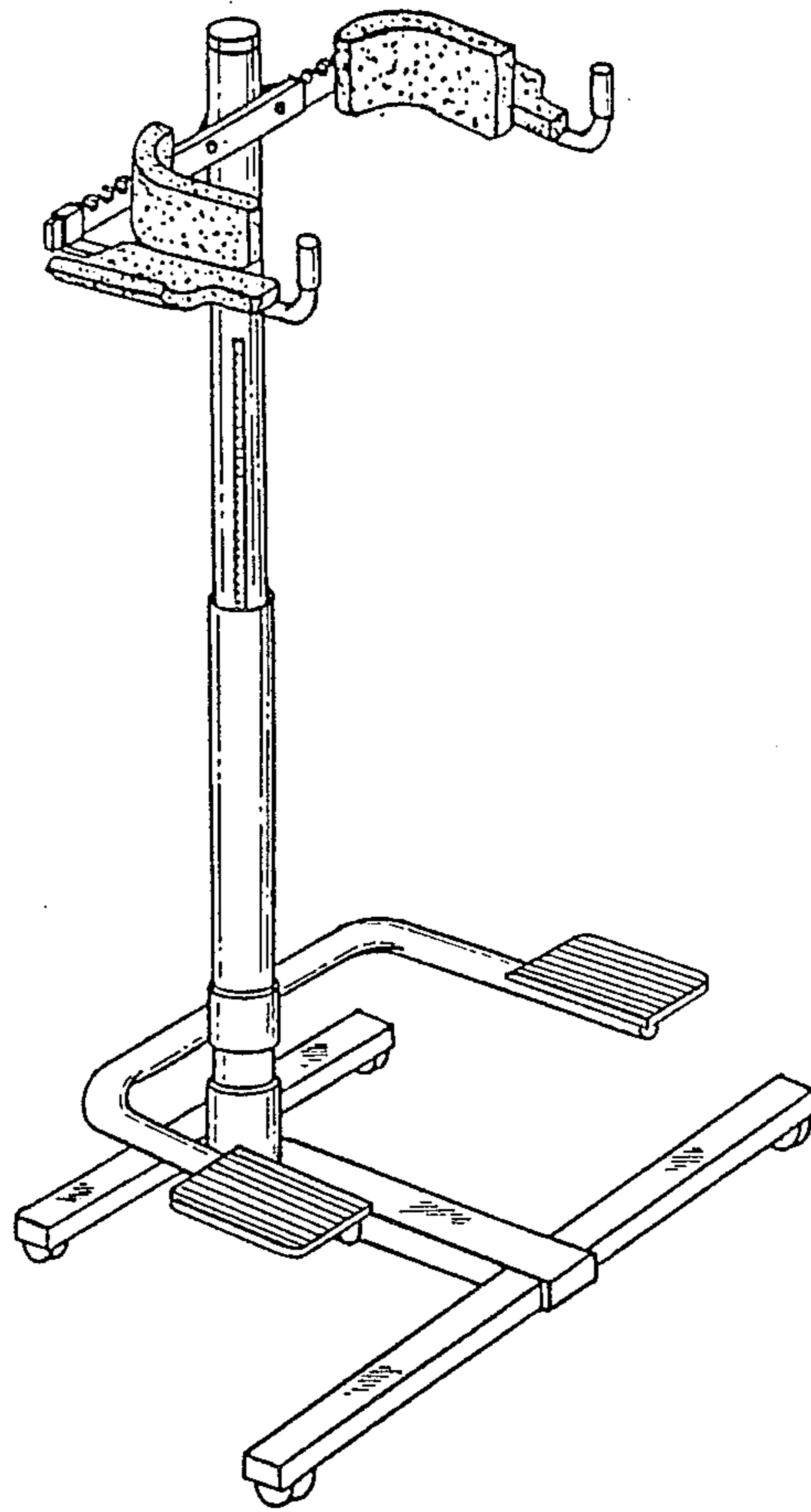


FIG. 4

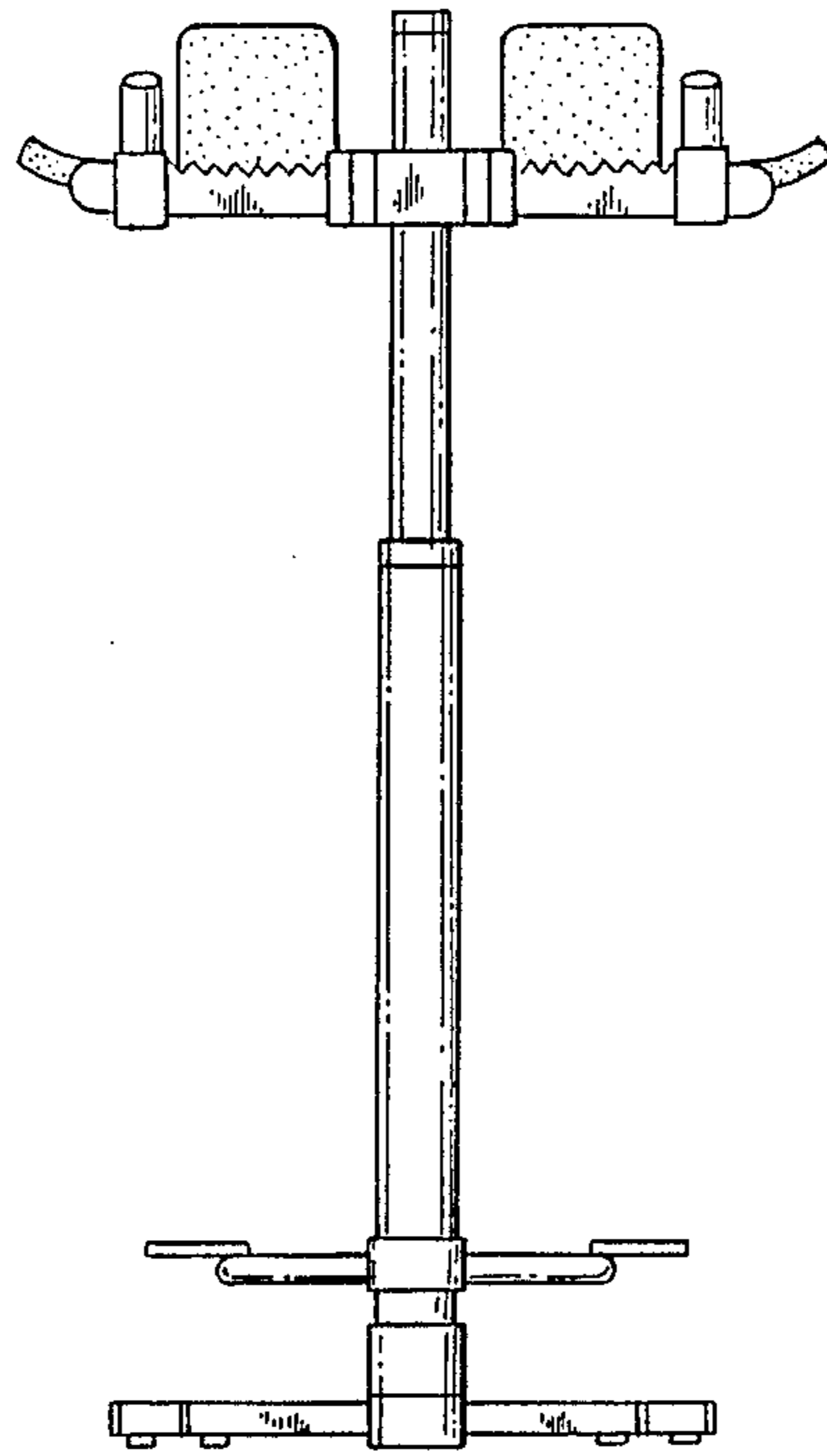


FIG. 5