

[54] SOLAR POWERED ROOF VENT FAN

3,934,494 1/1976 Butler ..... 98/42.13

[76] Inventor: James E. Utley, Jr., 228 Day St., Tallahassee, Fla. 32304

Primary Examiner—Susan J. Lucas  
Assistant Examiner—M. H. Tung  
Attorney, Agent, or Firm—Jerry T. Kearns

[\*\*] Term: 14 Years

[57] CLAIM

[21] Appl. No.: 244,469

The ornamental design for a solar powered roof vent fan, as shown and described.

[22] Filed: Sep. 14, 1988

[52] U.S. Cl. .... D23/376; D13/102

DESCRIPTION

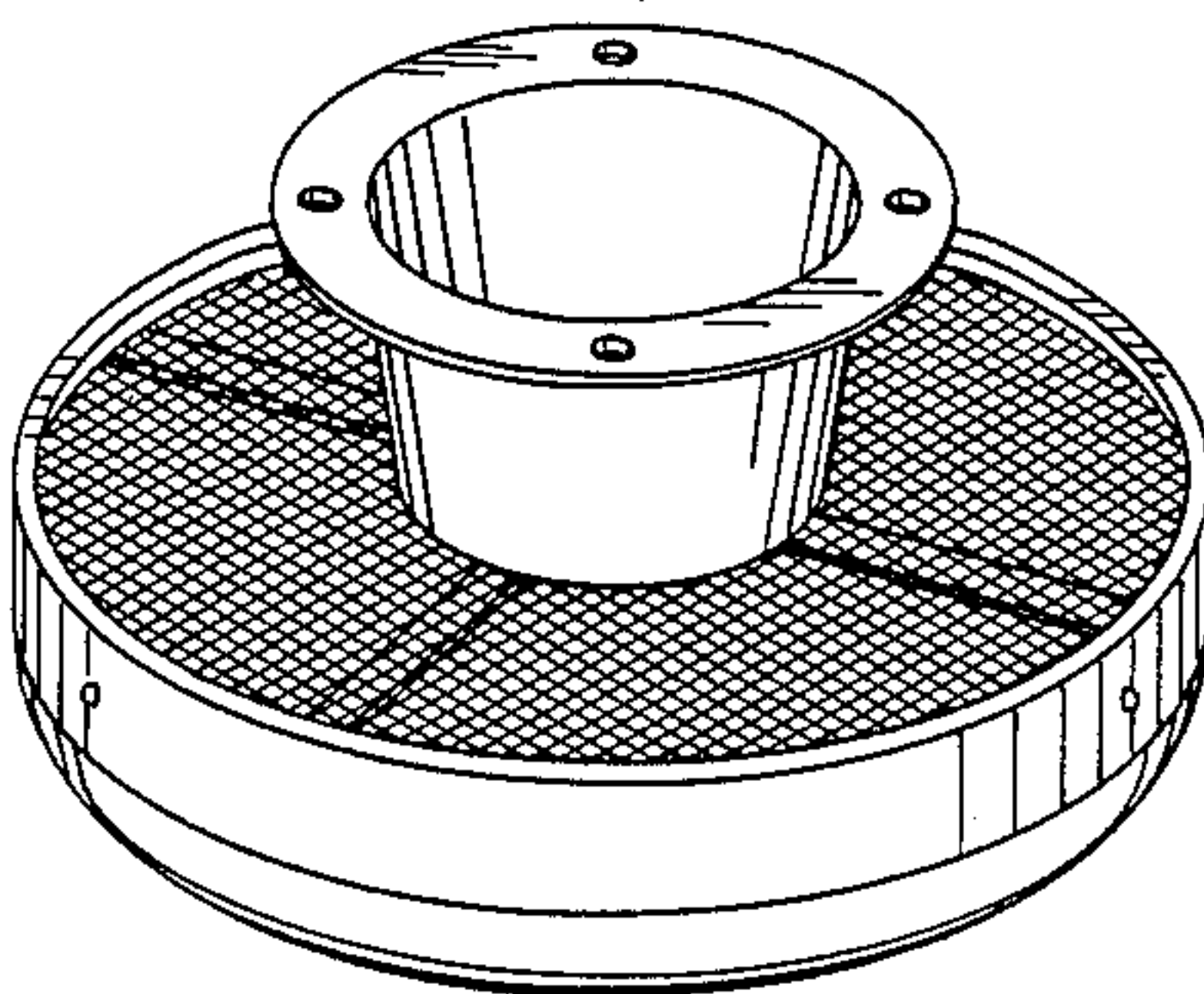
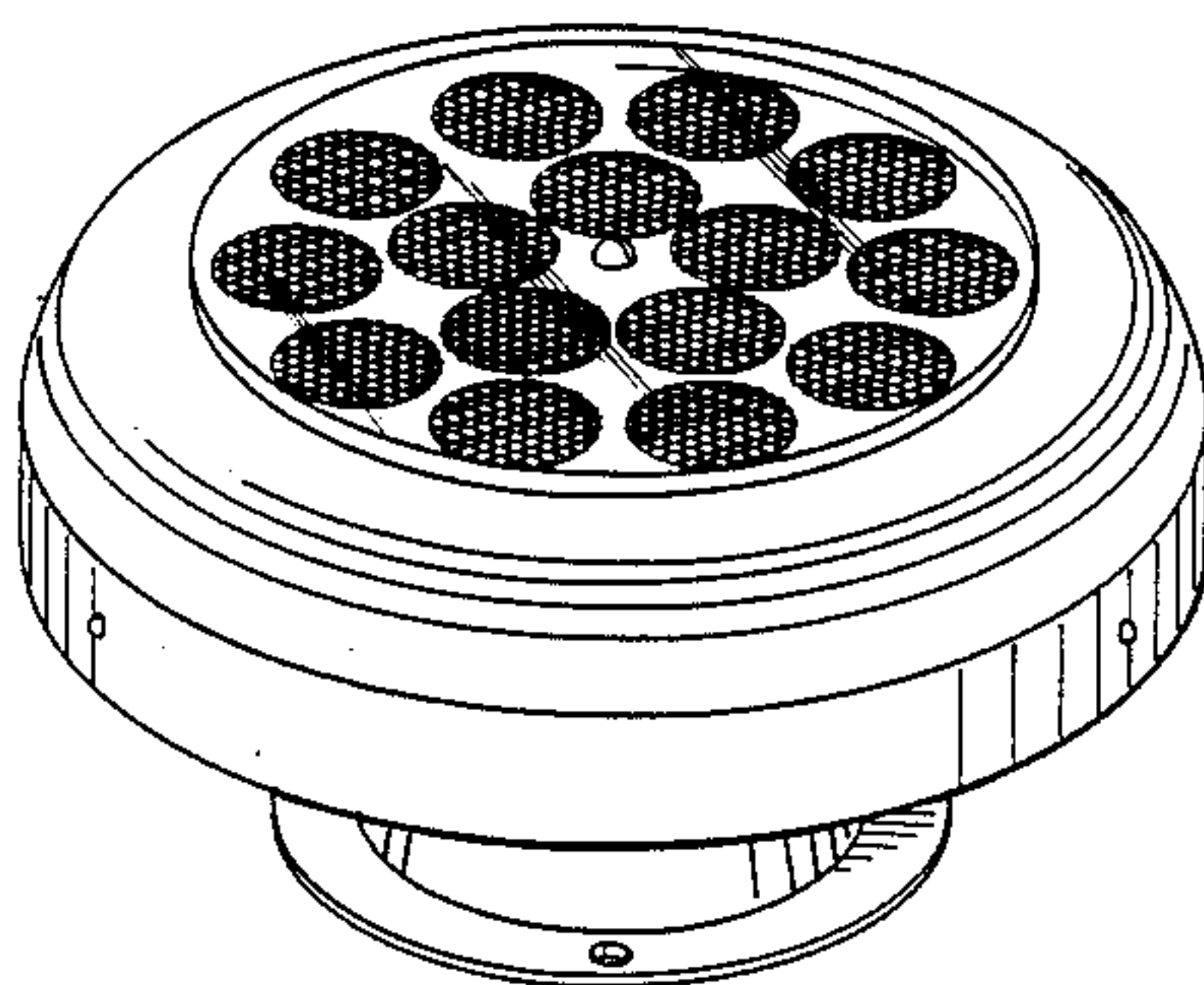
[58] Field of Search ..... D23/370, 373, 381, 382; 165/48.2; 98/900, 42.13, 42.14; D13/3.1

FIG. 1 is a front elevational view of a solar powered roof vent fan showing my new design;  
FIG. 2 is a rear elevational view thereof;  
FIG. 3 is a left side elevational view thereof;  
FIG. 4 is a right side elevational view thereof;  
FIG. 5 is a top plan view thereof;  
FIG. 6 is a bottom plan view thereof;  
FIG. 7 is a top perspective view thereof; and  
FIG. 8 is a bottom perspective view thereof.

[56] References Cited

U.S. PATENT DOCUMENTS

- D. 281,274 11/1985 Wright, Jr. .... D13/3.1
- 2,824,507 2/1958 Alldritt et al. .... 98/42.13
- 2,868,105 1/1959 Knutson et al. .... 98/42.13 X
- 3,386,368 6/1968 Fielding ..... 98/42.13 X



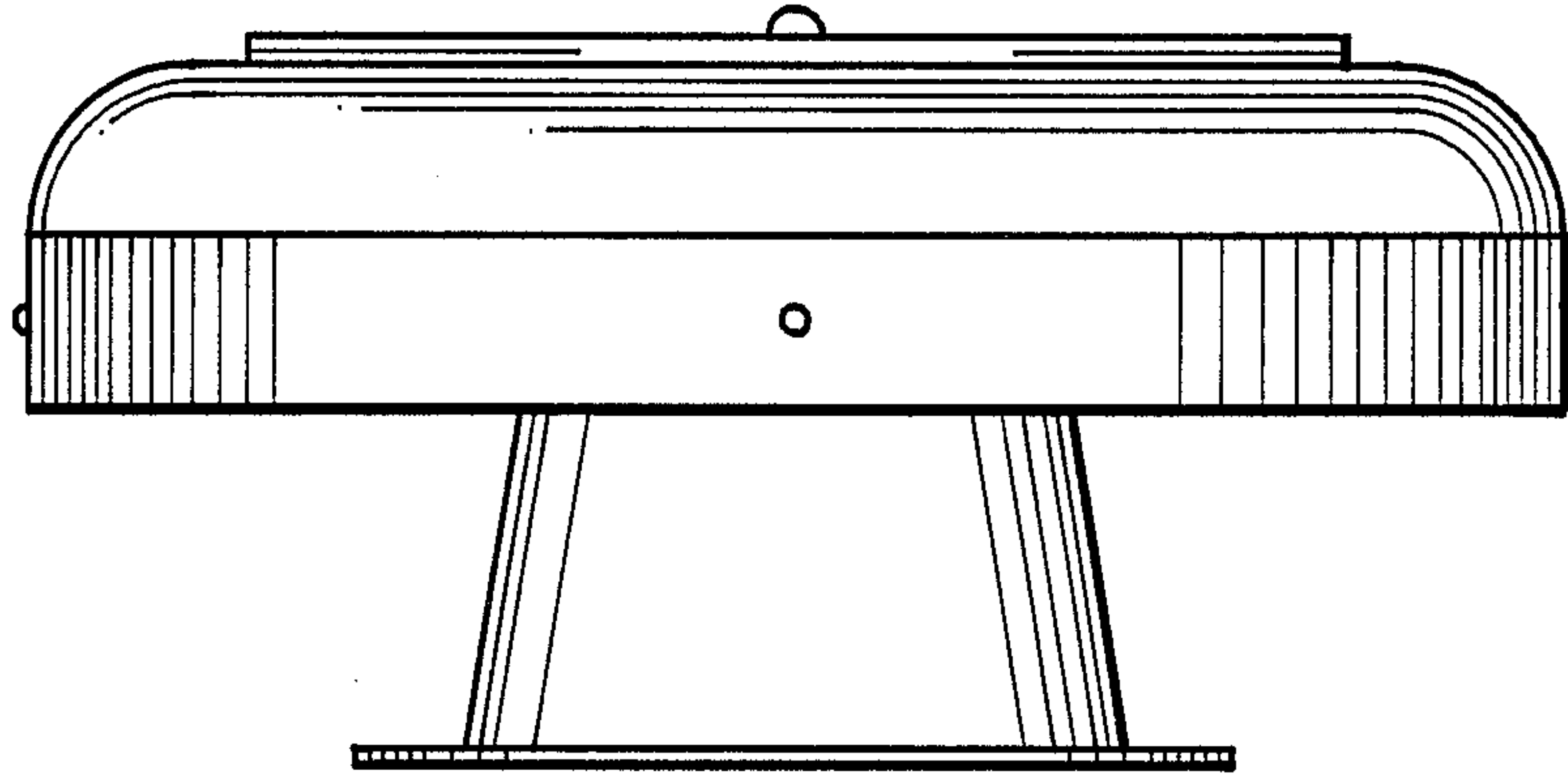


Fig. 1

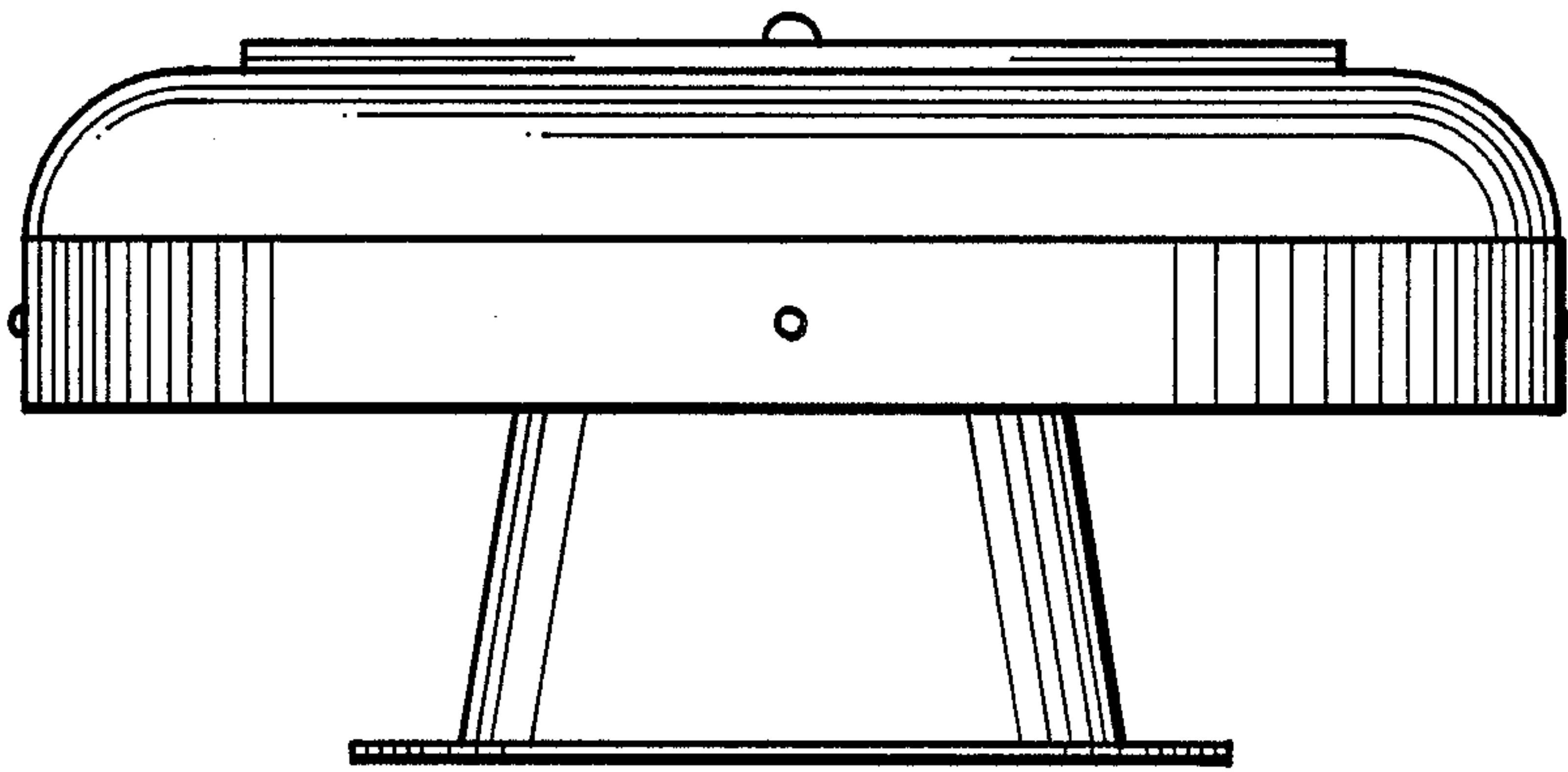


Fig. 2

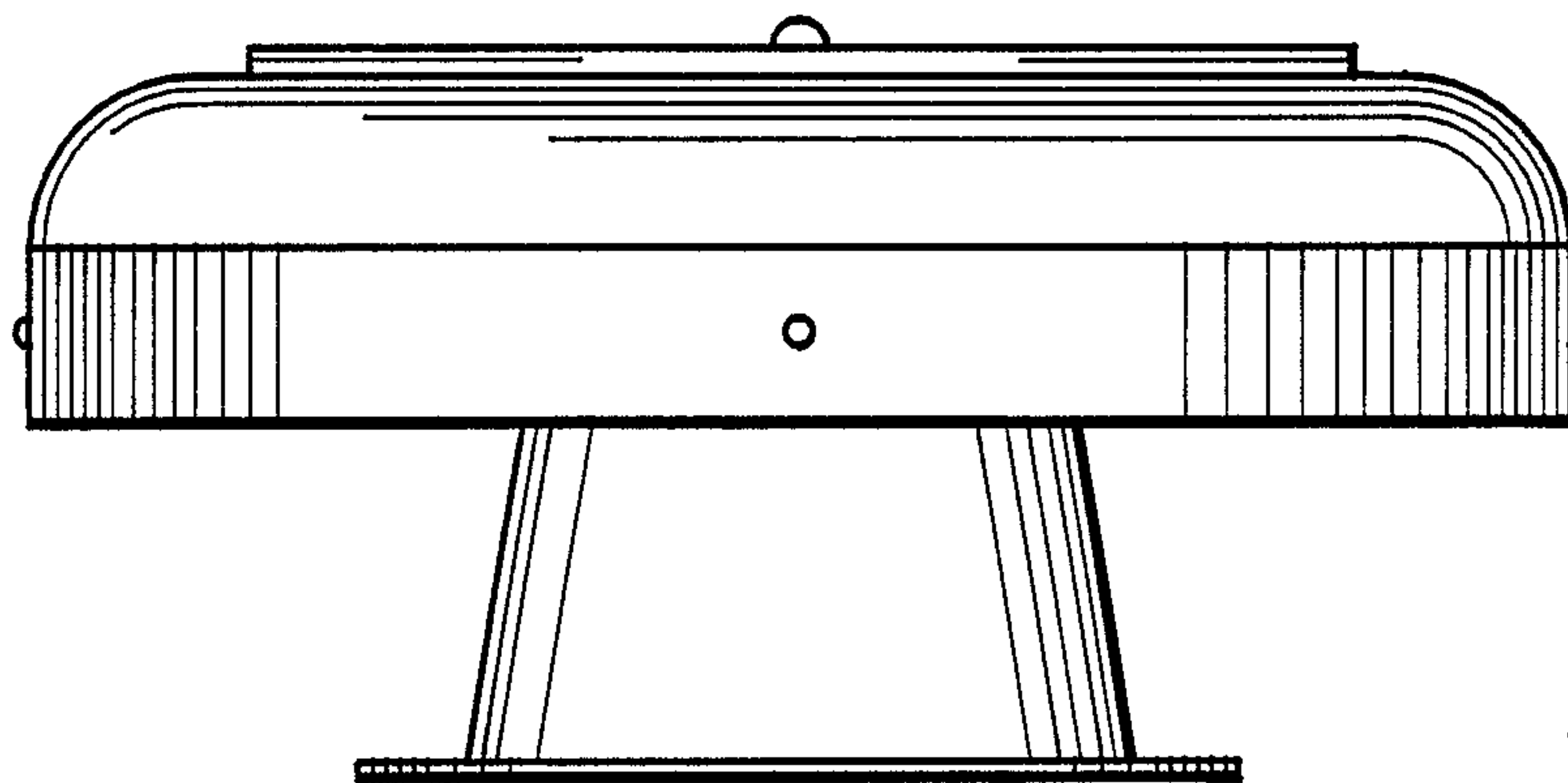


Fig. 3

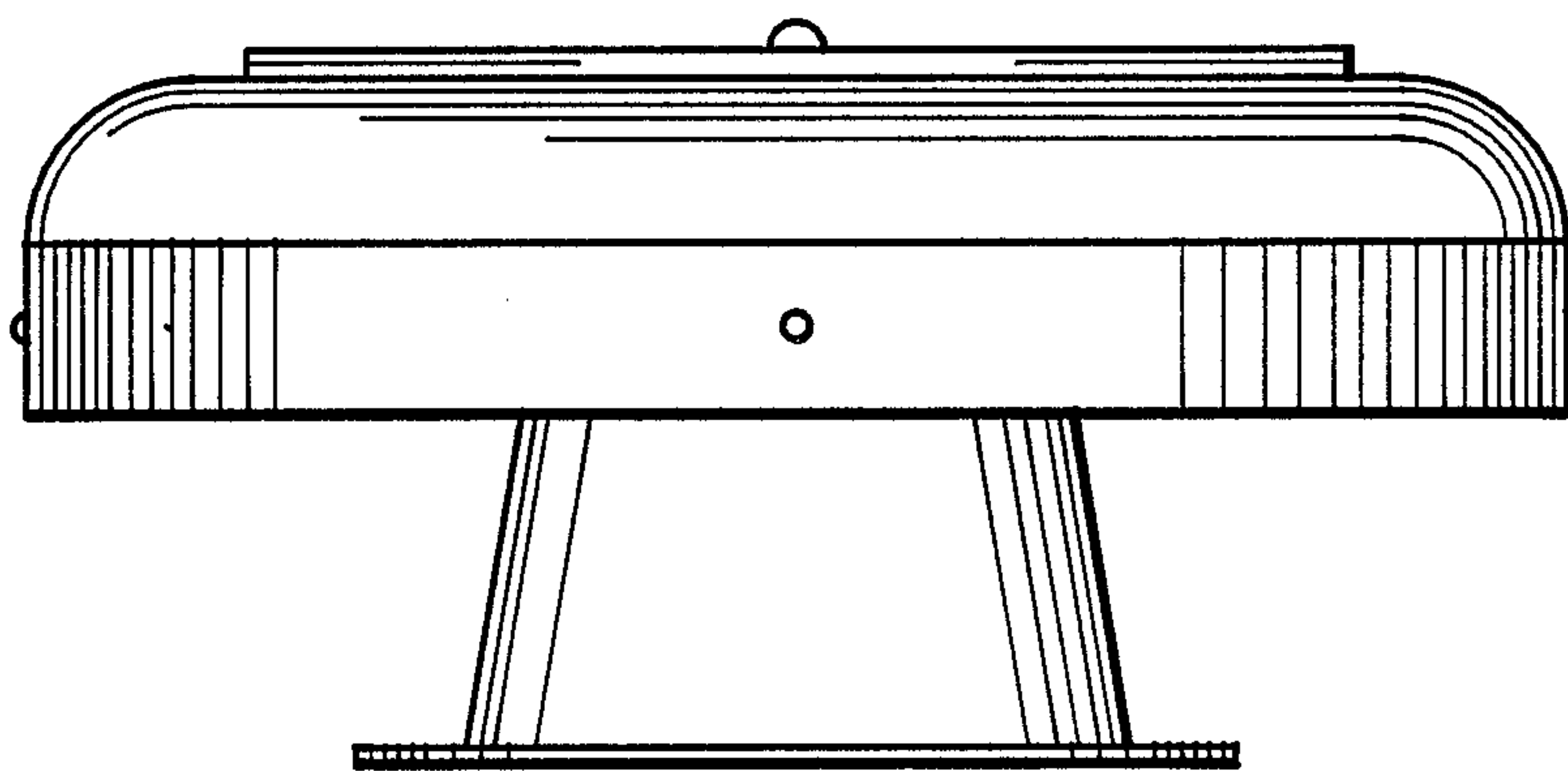


Fig. 4



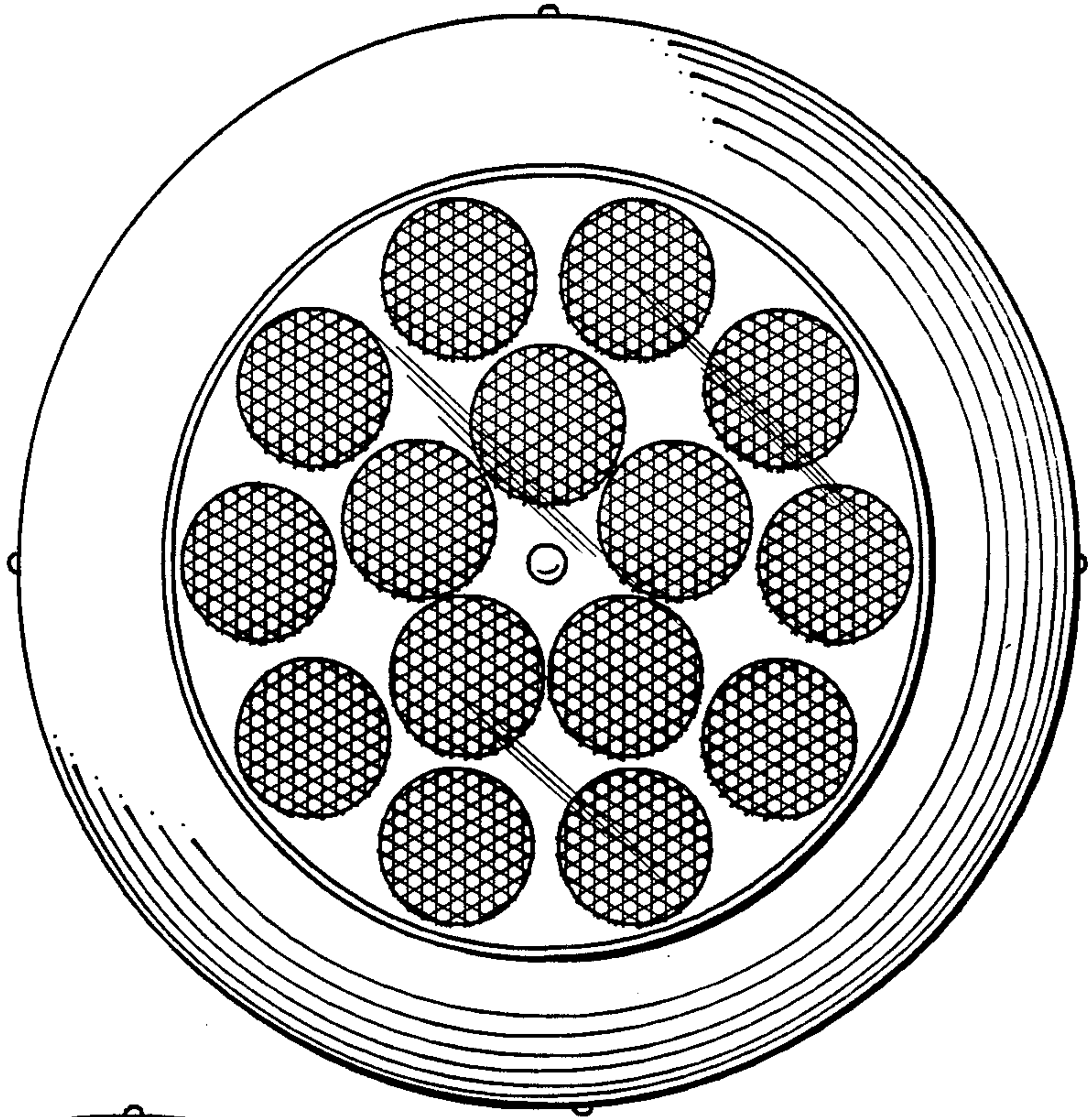


Fig. 5

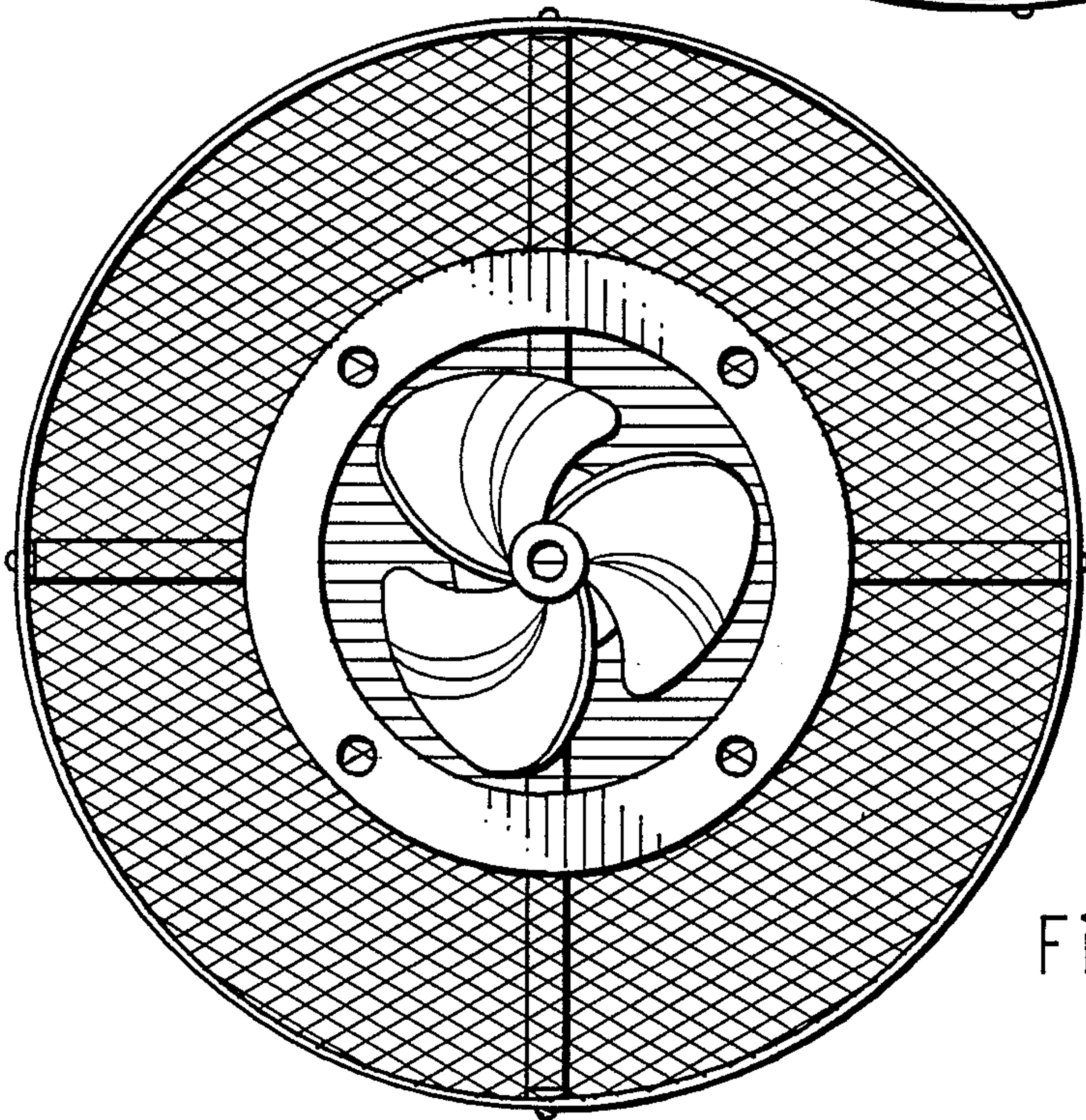


Fig. 6



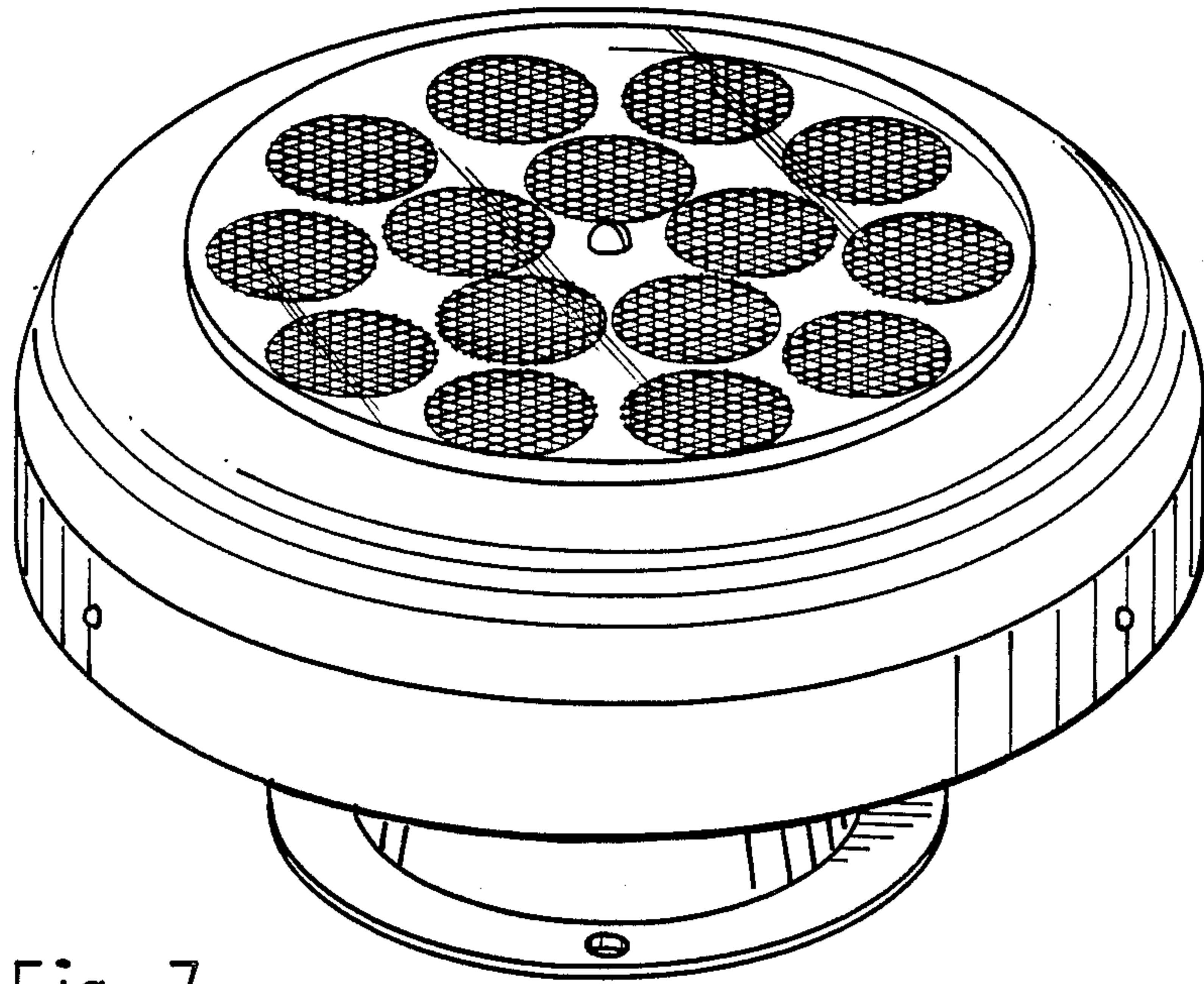


Fig. 7

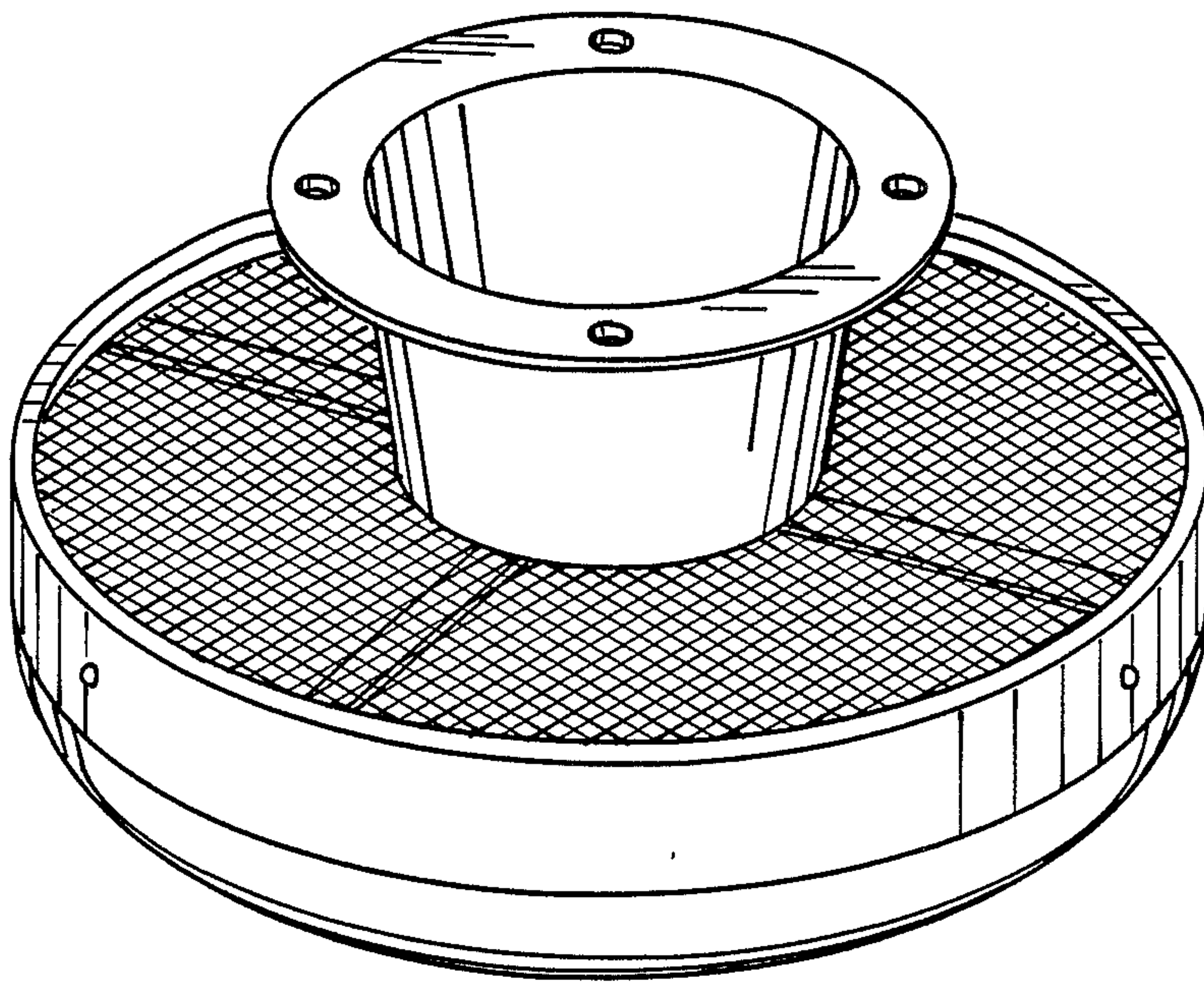


Fig. 8