

[54] FAN

[75] Inventor: Christophe K. J. Asselbergs, Calgary, Canada

[73] Assignee: Suncourt Holdings Inc., Calgary, Canada

[**] Term: 14 Years

[21] Appl. No.: 242,299

[22] Filed: Sep. 9, 1988

[30] Foreign Application Priority Data

Mar. 10, 1988 [CA] Canada 10-03-88-6

[52] U.S. Cl. D23/370

[58] Field of Search D23/381, 370; 415/208.1, 211.1, 211.2, 220

[56] References Cited

U.S. PATENT DOCUMENTS

- D. 229,183 11/1973 Papst D23/370
- D. 281,352 11/1985 Chang D23/370
- 3,725,640 4/1973 Kunz 415/220

OTHER PUBLICATIONS

Best Products-Washington Post Insert 11/10/85, p. 27C, 6 Presto Heater with Fan Model 07813, top right side of page.

"Joan Cook Housewares 86" Catalogue, p. 30, A. Electric Minifan, left top side of page.

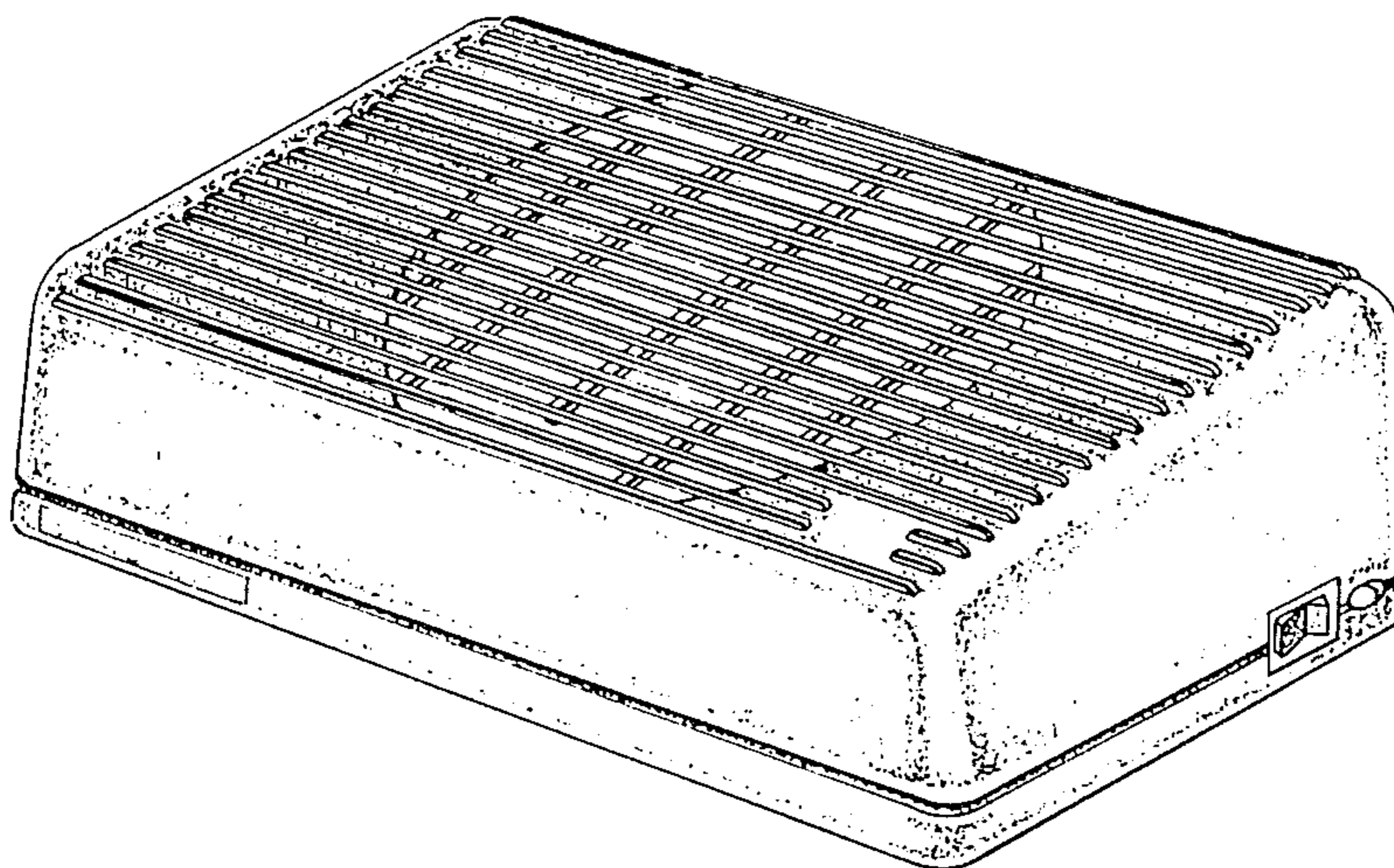
Primary Examiner—James M. Gandy
Assistant Examiner—Lisa Lichtenstein
Attorney, Agent, or Firm—Beveridge, DeGrandi & Weilacher

[57] CLAIM

The ornamental design for a fan, as shown.

DESCRIPTION

FIG. 1 is a perspective view of a fan showing my new design;
FIG. 2 is a top plan view thereof;
FIG. 3 is a front elevation view thereof;
FIG. 4 is a right side elevation view thereof;
FIG. 5 is a left side elevation view thereof;
FIG. 6 is a rear elevation view thereof; and
FIG. 7 is a bottom plan view thereof.



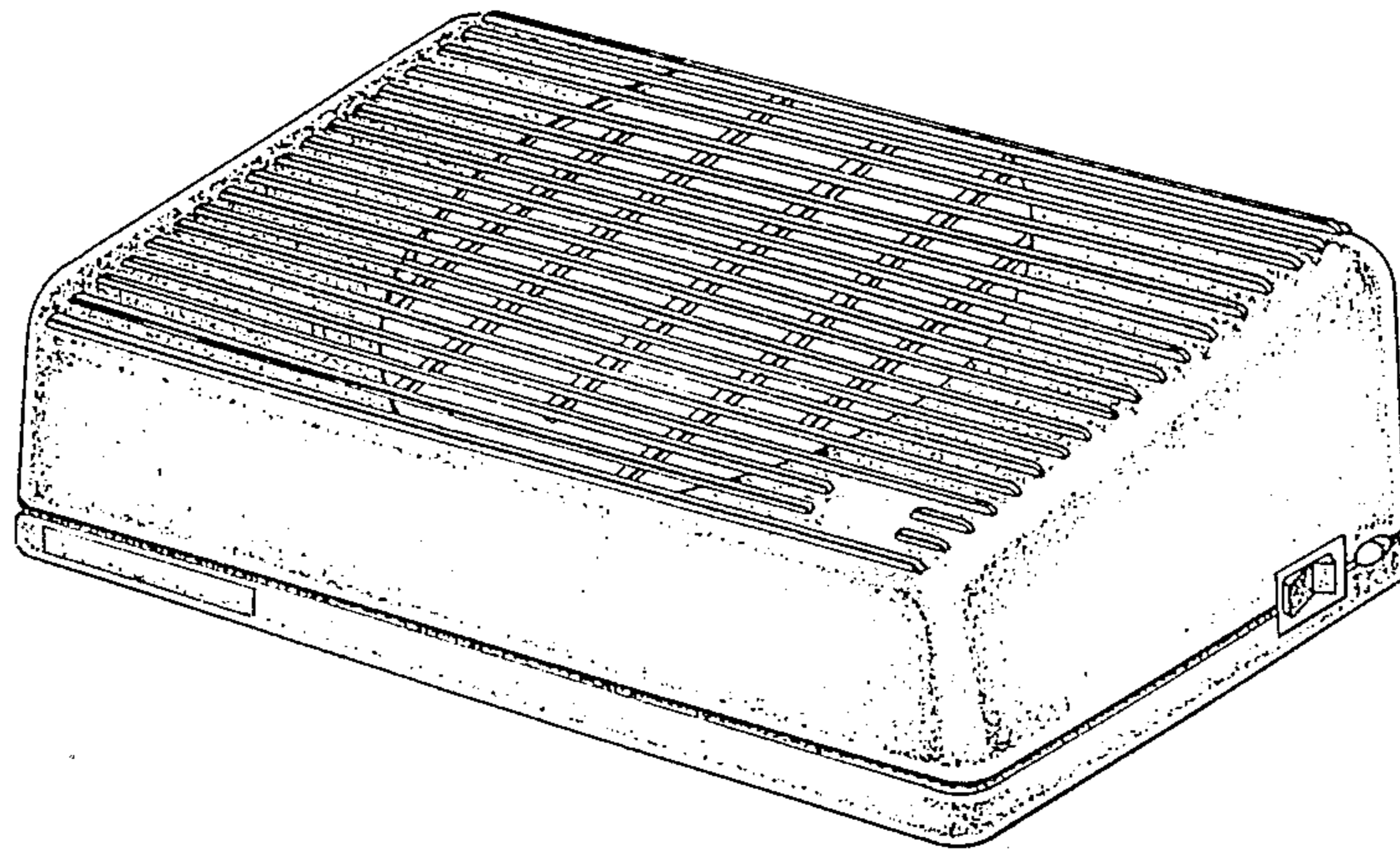


FIG. 1

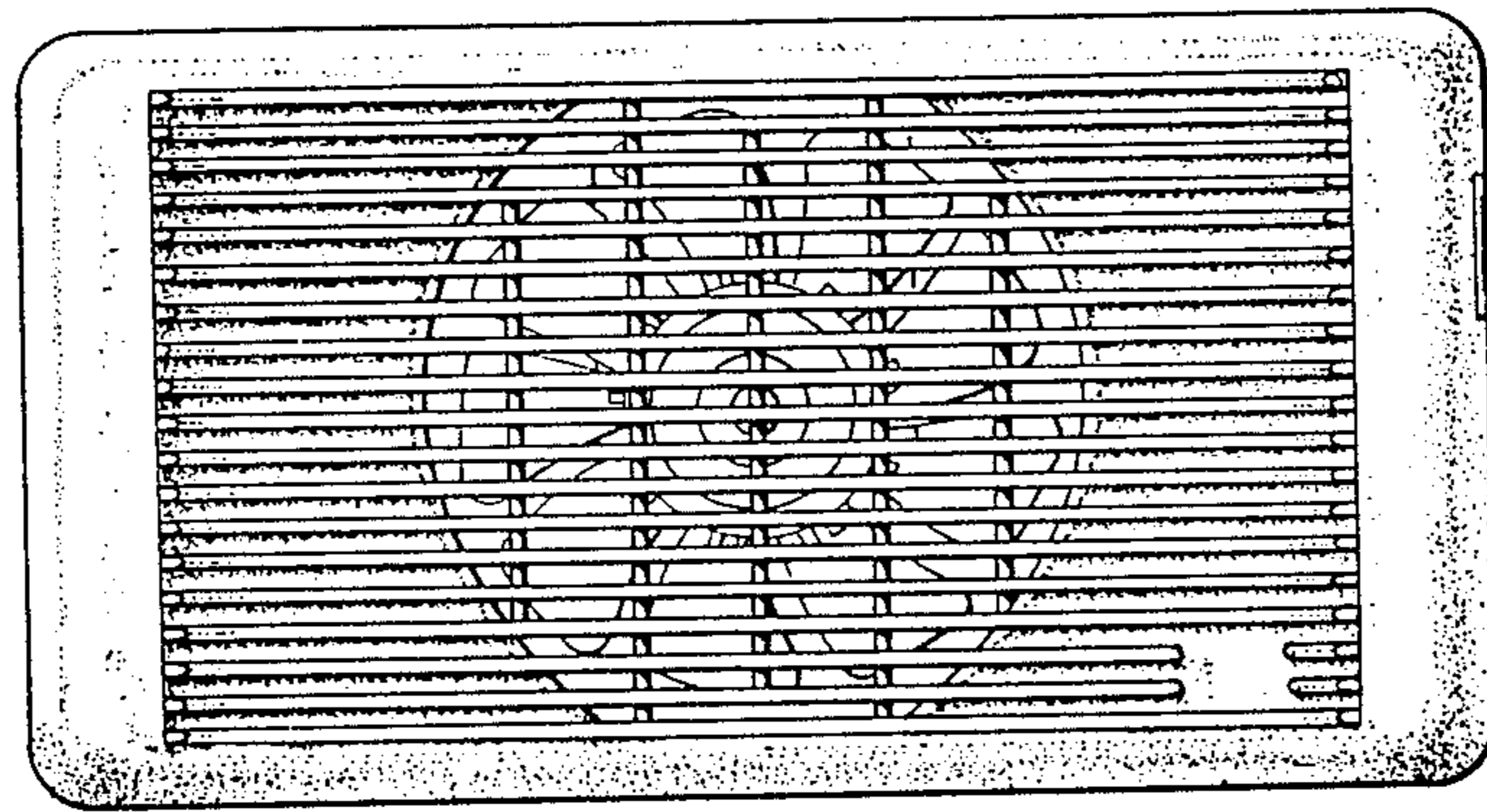


FIG. 2

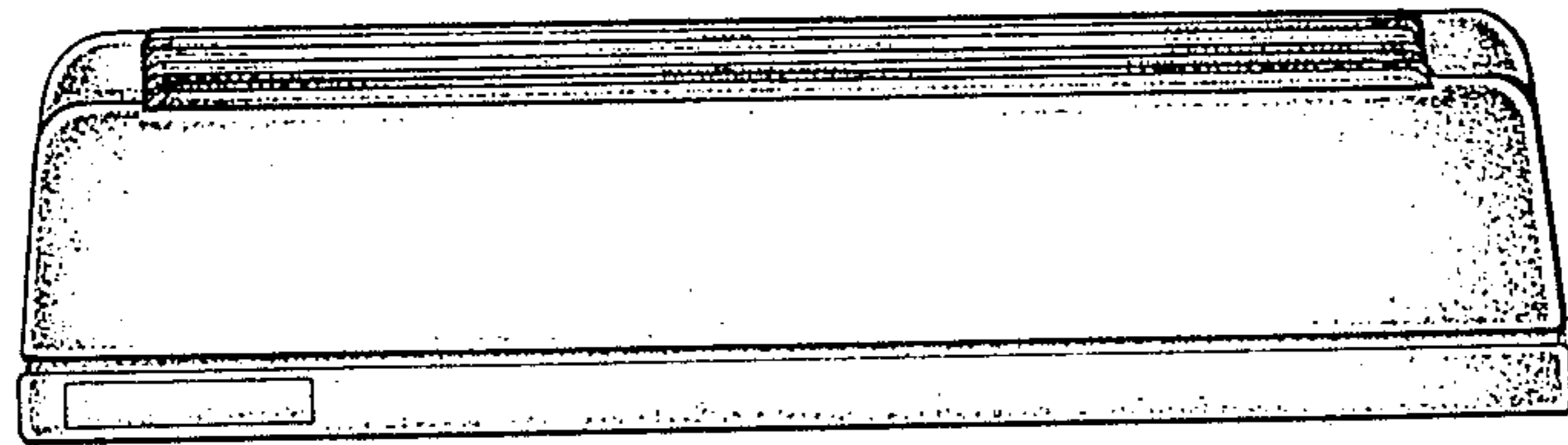


FIG. 3

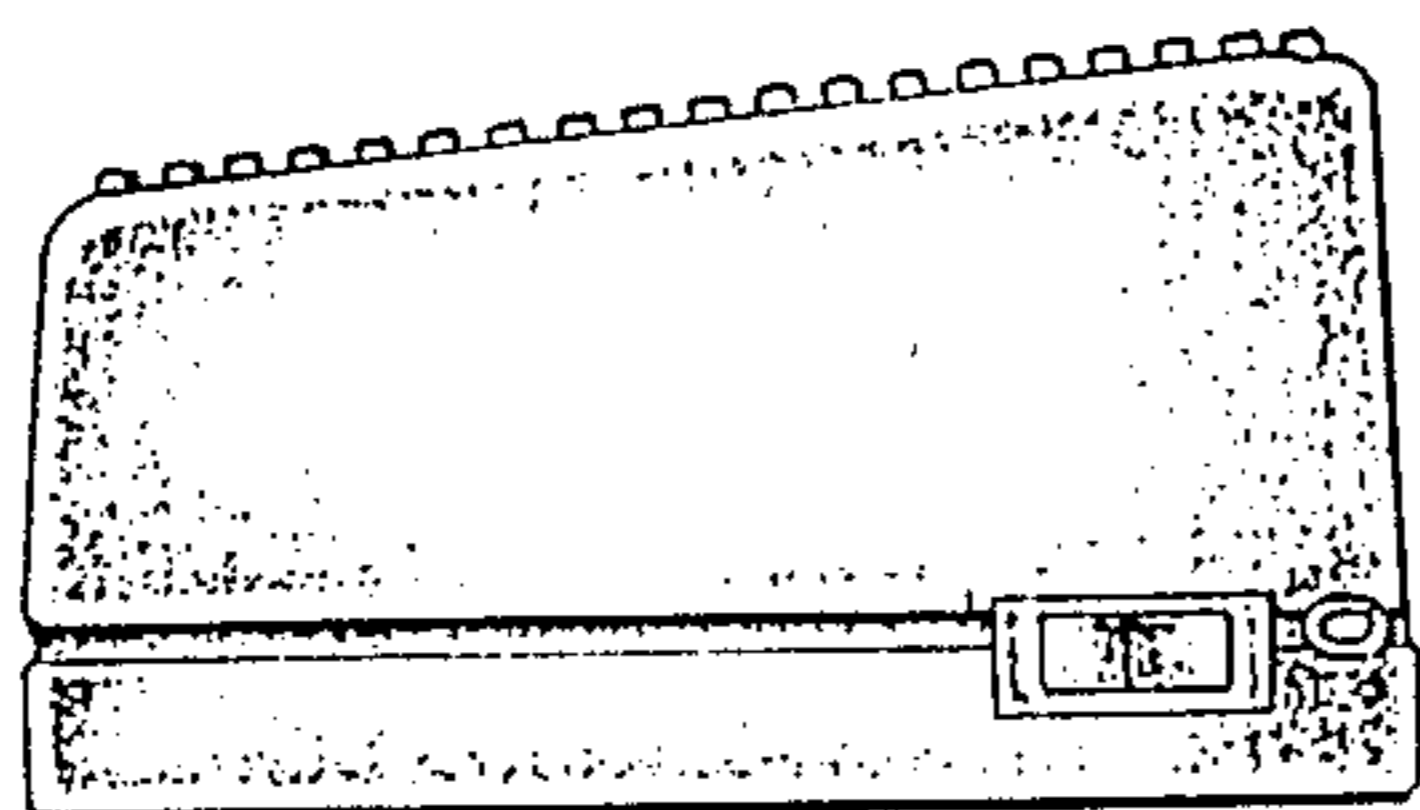


FIG. 4

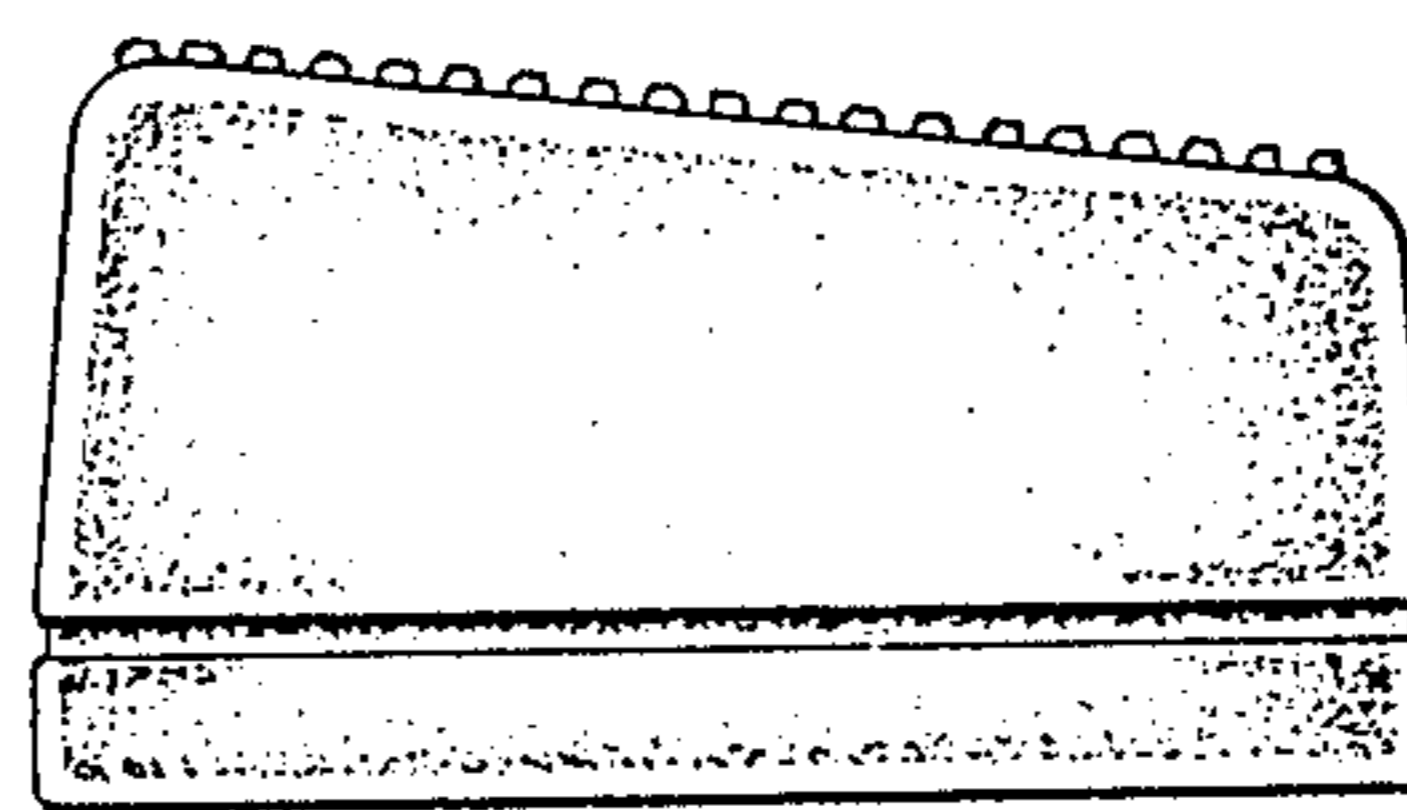


FIG. 5

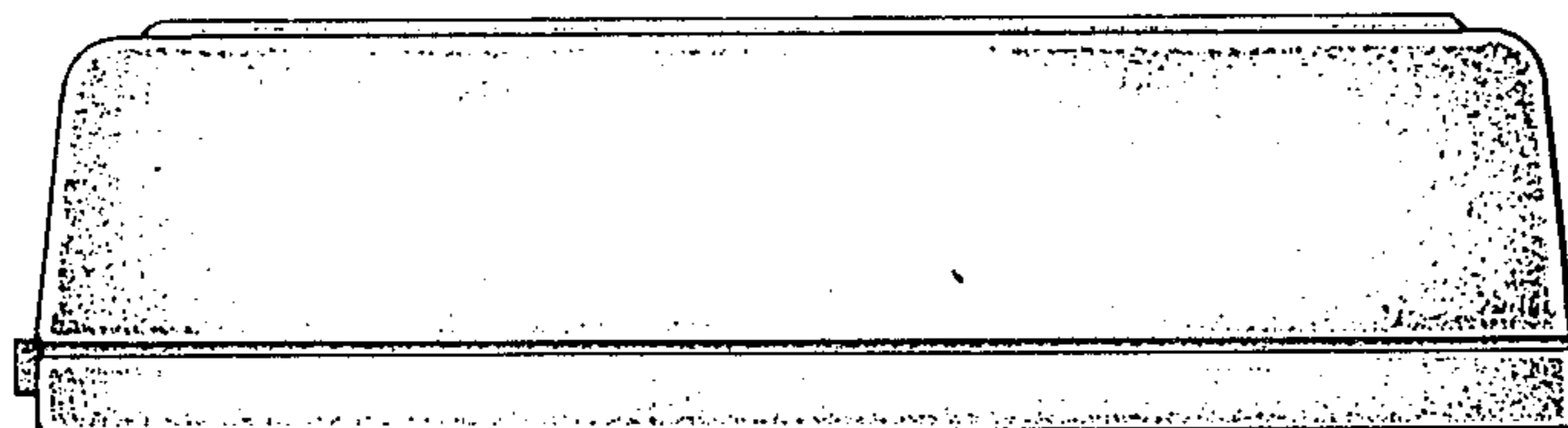


FIG. 6

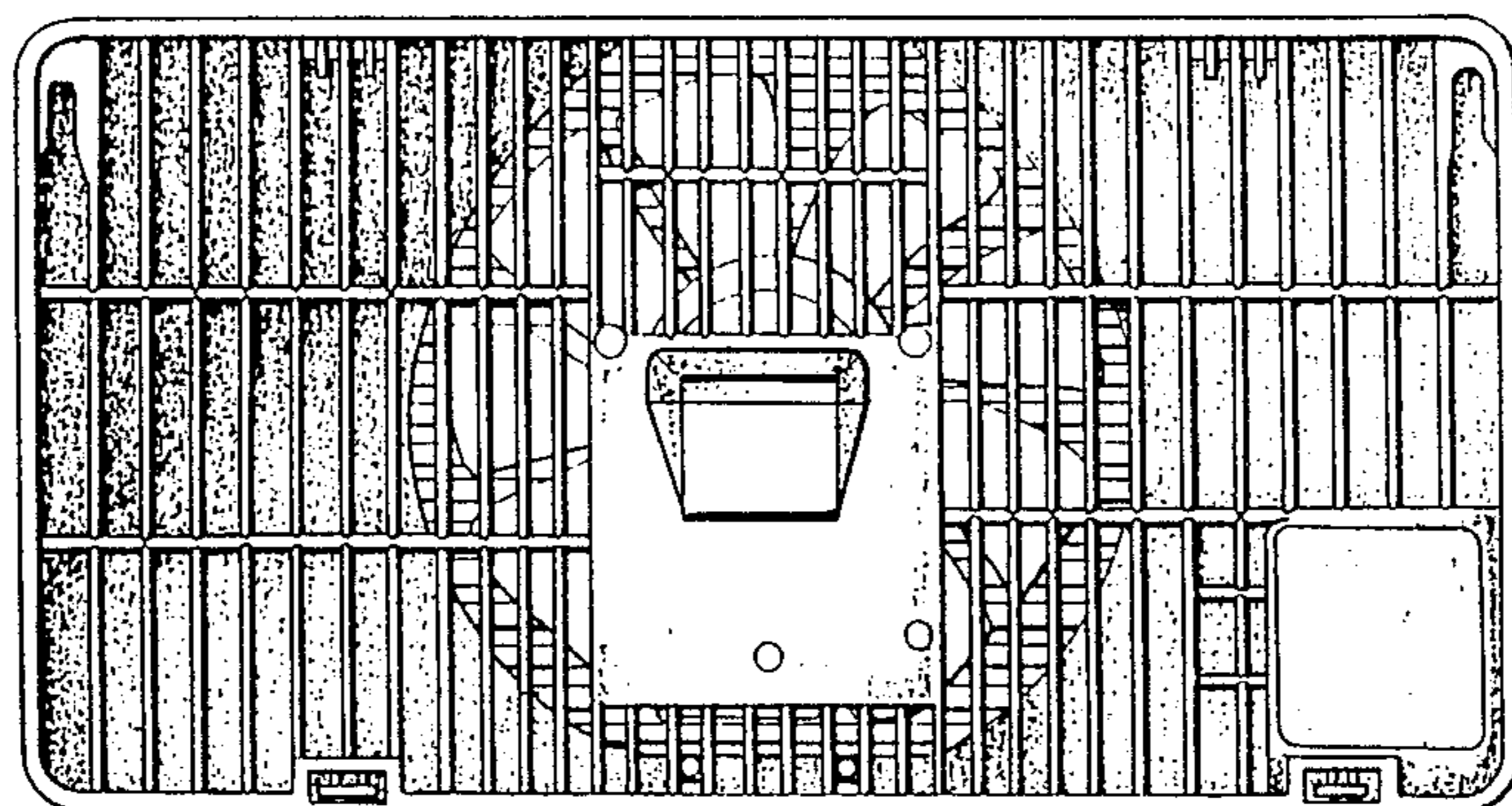


FIG. 7